



US00D483690S

(12) **United States Design Patent**
Sieverding

(10) **Patent No.:** **US D483,690 S**

(45) **Date of Patent:** **** Dec. 16, 2003**

(54) **PLANT POT WITH FACETED EDGE**

(75) **Inventor:** **Alfons Sieverding**, Lohne-Brockdorf
(DE)

(73) **Assignee:** **Gebr. Pöppelmann**
Kunststoffwerk-Werkzeugbau, Lohne
(DE)

(**) **Term:** **14 Years**

(21) **Appl. No.:** **29/157,153**

(22) **Filed:** **Mar. 14, 2002**

(30) **Foreign Application Priority Data**

Sep. 14, 2001 (DE) 4 01 08 186

(51) **LOC (7) Cl.** **11-02**

(52) **U.S. Cl.** **D11/152**

(58) **Field of Search** D11/143, 144,
D11/148, 152, 153, 154; 47/65.5, 65.7,
66.6, 67, 68, 71; 206/423; 248/27.8

(56) **References Cited**

U.S. PATENT DOCUMENTS

3,315,410 A * 4/1967 French 47/65.7

3,896,587 A * 7/1975 Insalaco 47/65.5
D240,956 S * 8/1976 Holmes D11/152
D243,031 S * 1/1977 Anderson D11/152
4,047,329 A * 9/1977 Holt 47/65.7
5,941,019 A * 8/1999 Guarriello et al. 47/66.6
6,339,899 B1 * 1/2002 Lehmann 47/65.5
6,360,484 B1 * 3/2002 Kreizel 47/65.5

* cited by examiner

Primary Examiner—Doris V. Coles

Assistant Examiner—Mimosa De

(74) *Attorney, Agent, or Firm*—Gudrun E. Huckett

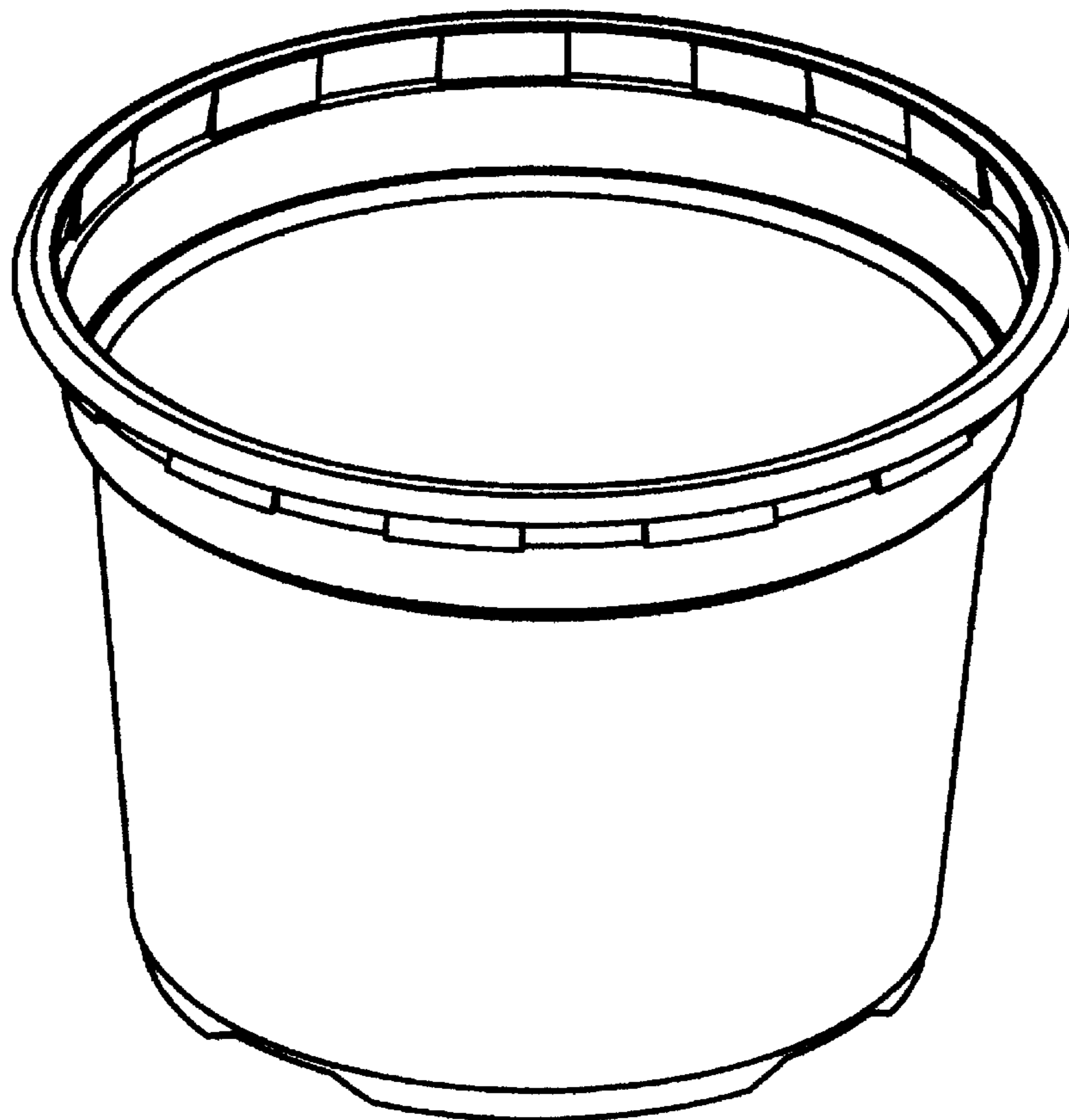
(57) **CLAIM**

The ornamental design for a plant pot with faceted edge, as shown.

DESCRIPTION

FIG. 1 is a side view of my plant pot with faceted edge; FIG. 2 is a perspective top view of my plant pot with faceted edge; FIG. 3 is a bottom perspective view of my plant pot with faceted edge; and, FIG. 4 is a bottom plan view of my plant pot with faceted edge.

1 Claim, 4 Drawing Sheets



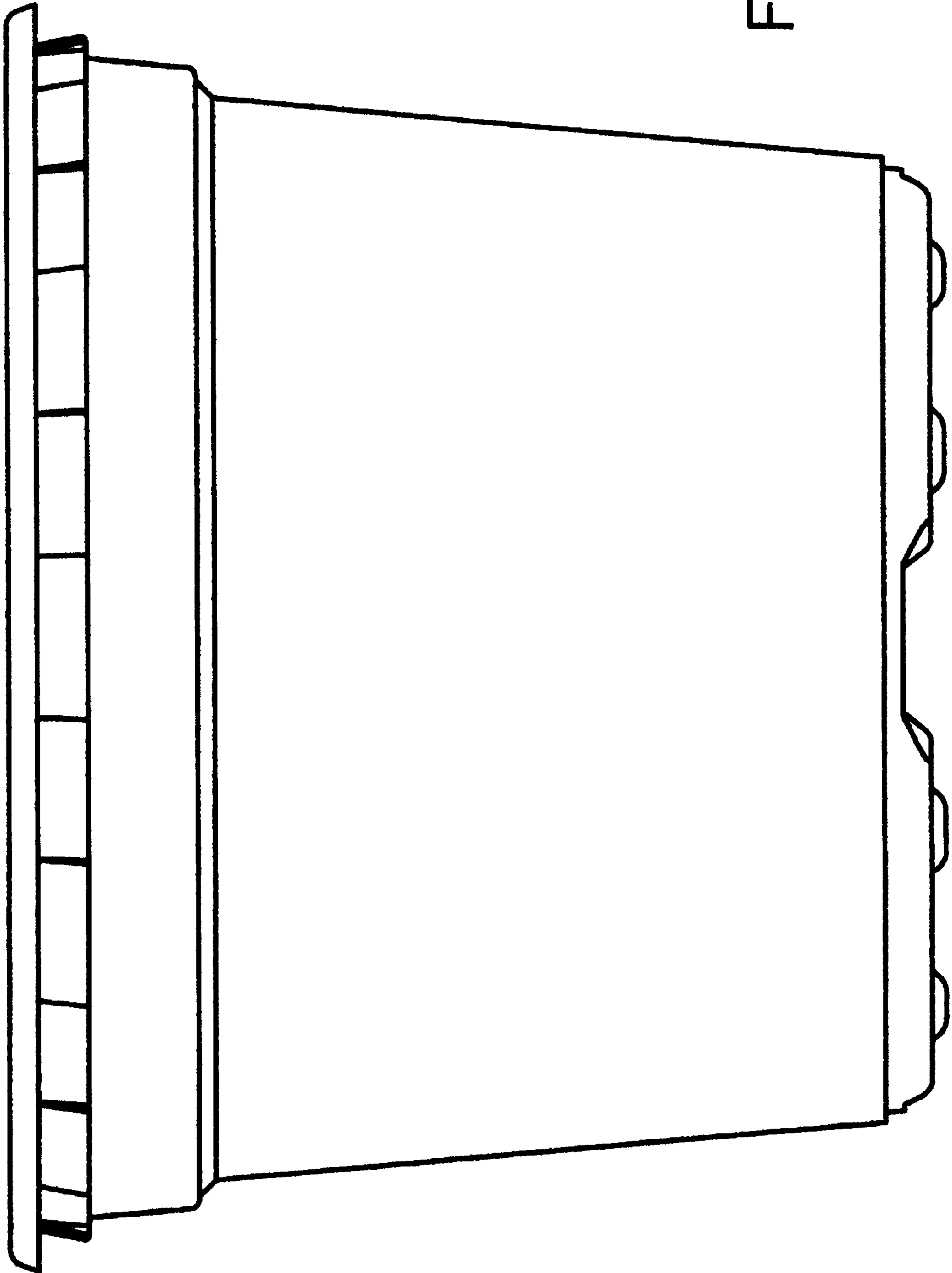


Fig. 1

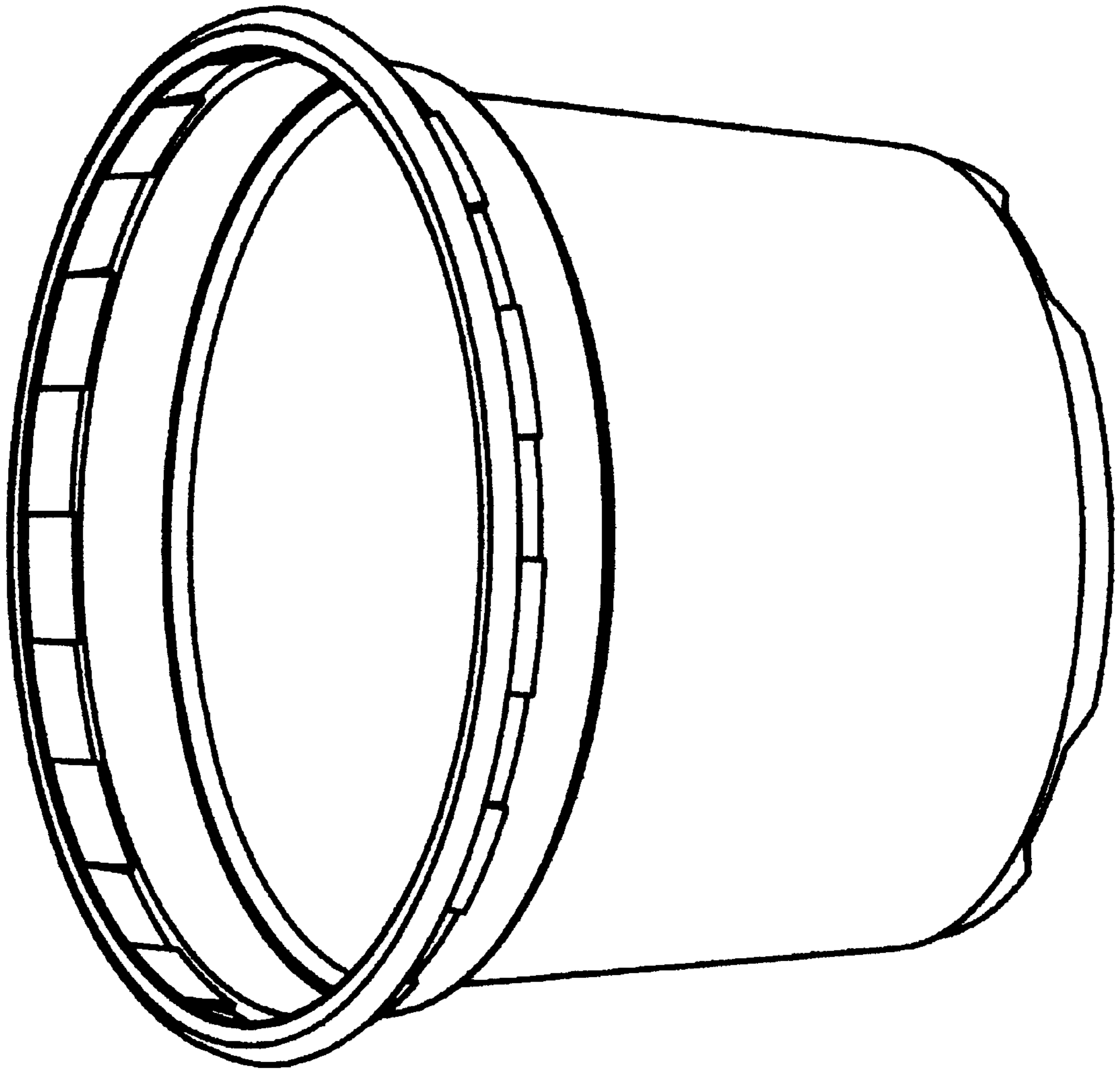


Fig. 2

Fig. 3

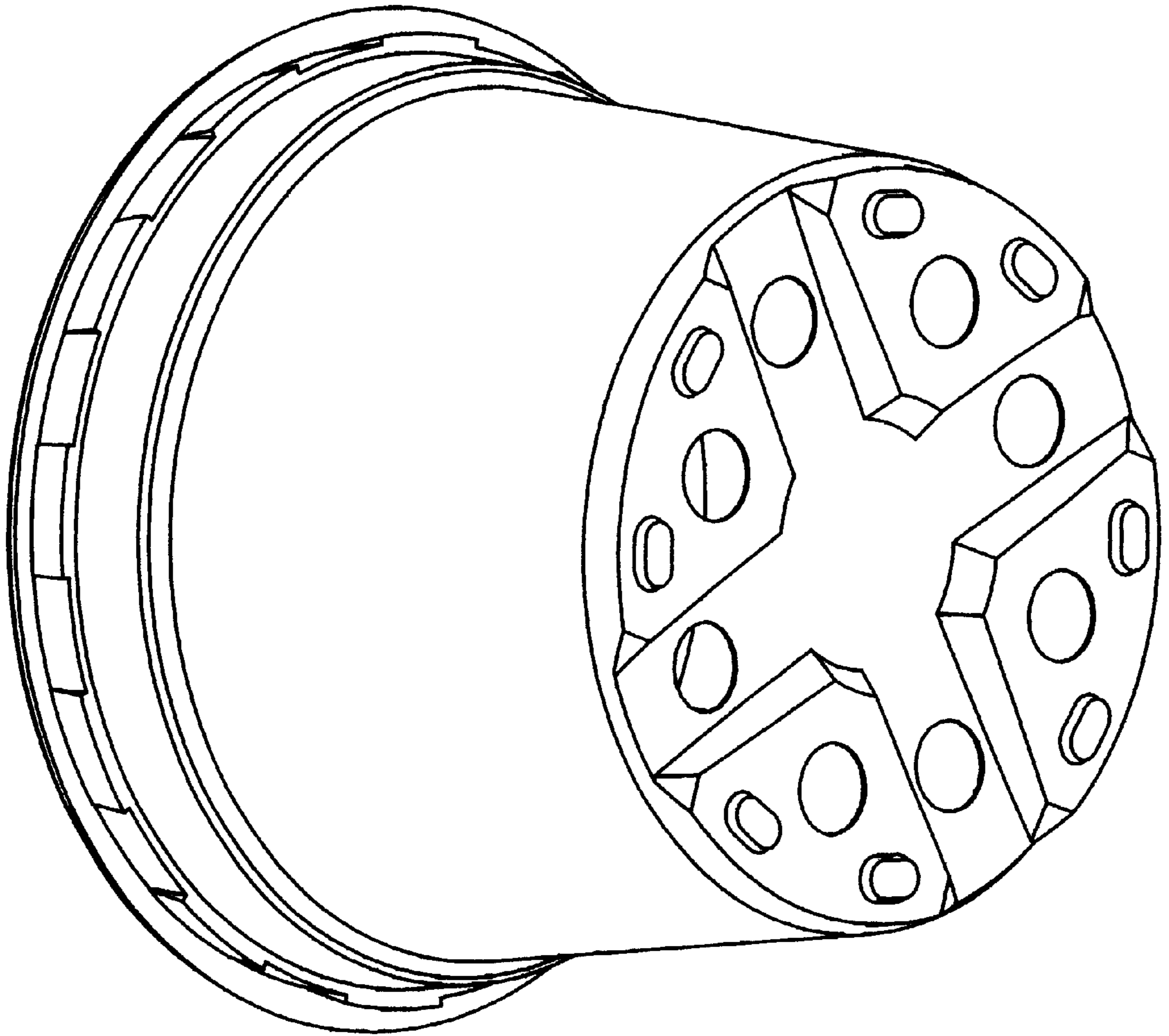


Fig. 4

