



US00D483677S

(12) **United States Design Patent**
Zhou

(10) **Patent No.:** **US D483,677 S**

(45) **Date of Patent:** **** Dec. 16, 2003**

(54) **BEVERAGE BOTTLE**

(76) **Inventor:** **Jing-Liang Zhou**, 1-2/F, No. 3
Building, Longzhu Industrial Estate
Nanshan District, Shenzhen (CN)

(**) **Term:** **14 Years**

(21) **Appl. No.:** **29/164,330**

(22) **Filed:** **Jul. 24, 2002**

(51) **LOC (7) Cl.** **09-01**

(52) **U.S. Cl.** **D9/552; D9/558**

(58) **Field of Search** D9/500, 502-505,
D9/516, 549, 544-546, 551, 552, 553, 554,
558, 556, 564, 565, 566, 567, 569, 572,
573, 574, 530, 307; D7/509-515; 215/382-384,
396, 398, 400, 11.1-11.5, 12.1; D28/90;
D24/197; 220/675

(56) **References Cited**

U.S. PATENT DOCUMENTS

D69,462 S	*	2/1926	Sears	D9/552 X
D84,476 S	*	6/1931	Harris	D9/553
D101,984 S	*	11/1936	Fuerst	D9/565
D104,200 S	*	4/1937	Smith, Jr.	D9/565
D143,296 S	*	12/1945	Frederics	D9/307
3,944,124 A	*	3/1976	Hexel	220/675 X
D254,708 S	*	4/1980	Mack	D9/337
D258,202 S	*	2/1981	Astor et al.	D9/503

D274,604 S	*	7/1984	Jeruchim	D9/526
D329,170 S	*	9/1992	Hoffer	D7/509
D338,616 S	*	8/1993	MacDonald et al.	D9/307
D340,771 S	*	10/1993	Levy et al.	D24/197
D444,675 S	*	7/2001	Kerman	D7/521
D462,236 S	*	9/2002	Hurlbut	D7/510
D472,148 S	*	3/2003	Dowd	D9/504

* cited by examiner

Primary Examiner—Philip S. Hyder

Assistant Examiner—Carol Rademaker

(74) *Attorney, Agent, or Firm*—Birch, Stewart, Kolasch & Birch, LLP

(57) **CLAIM**

The ornamental design for a beverage bottle, as shown and described.

DESCRIPTION

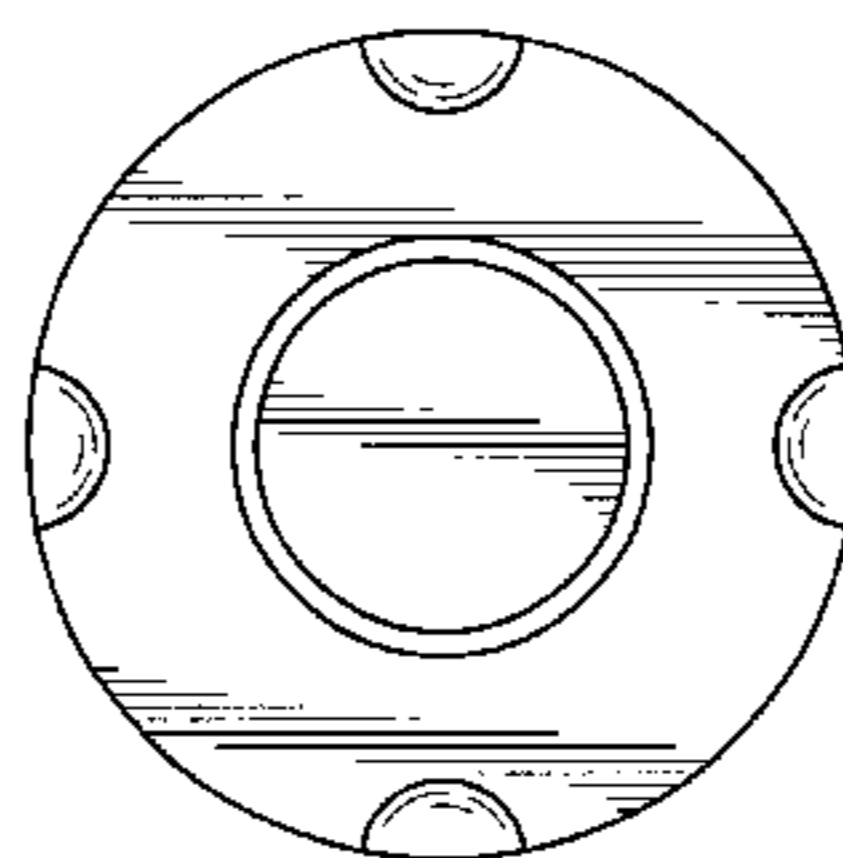
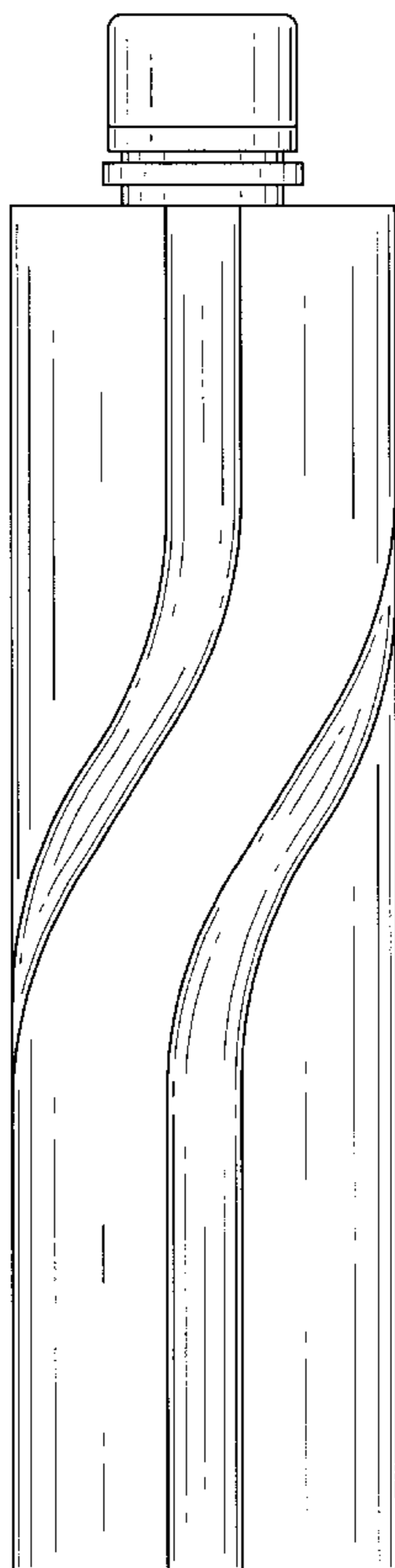
FIG. 1 is a front elevational view of a beverage bottle showing my new design, the left side, rear and right side elevational views being the same as the front elevational view with the beverage bottle having four equally spaced, vertically extending grooves;

FIG. 2 is a top plan view thereof; and,

FIG. 3 is a bottom plan view thereof.

The broken lines shown in FIG. 3 are for illustrative purposes only and form no part of the claimed design.

1 Claim, 1 Drawing Sheet



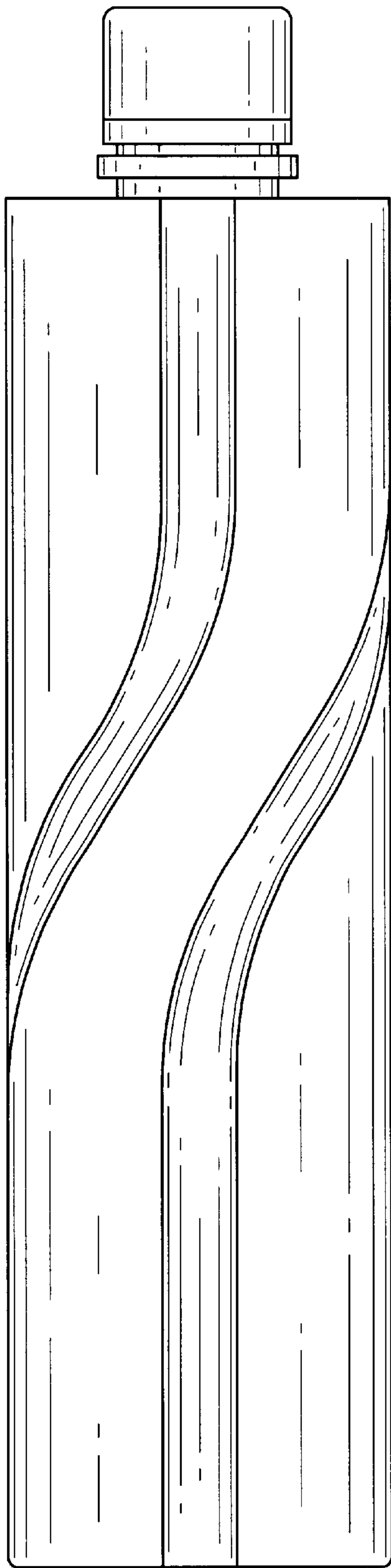


FIG. 1

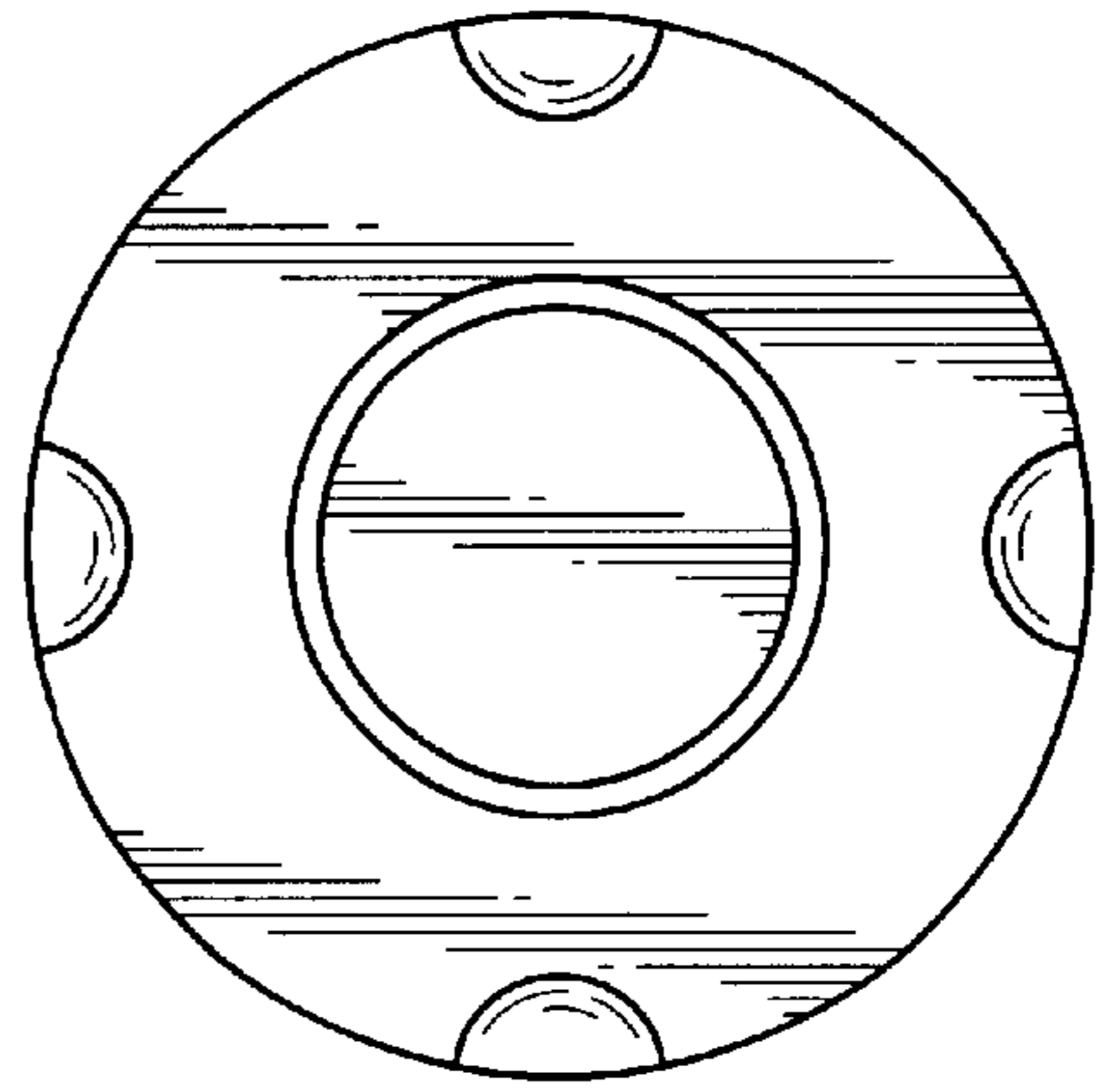


FIG. 2

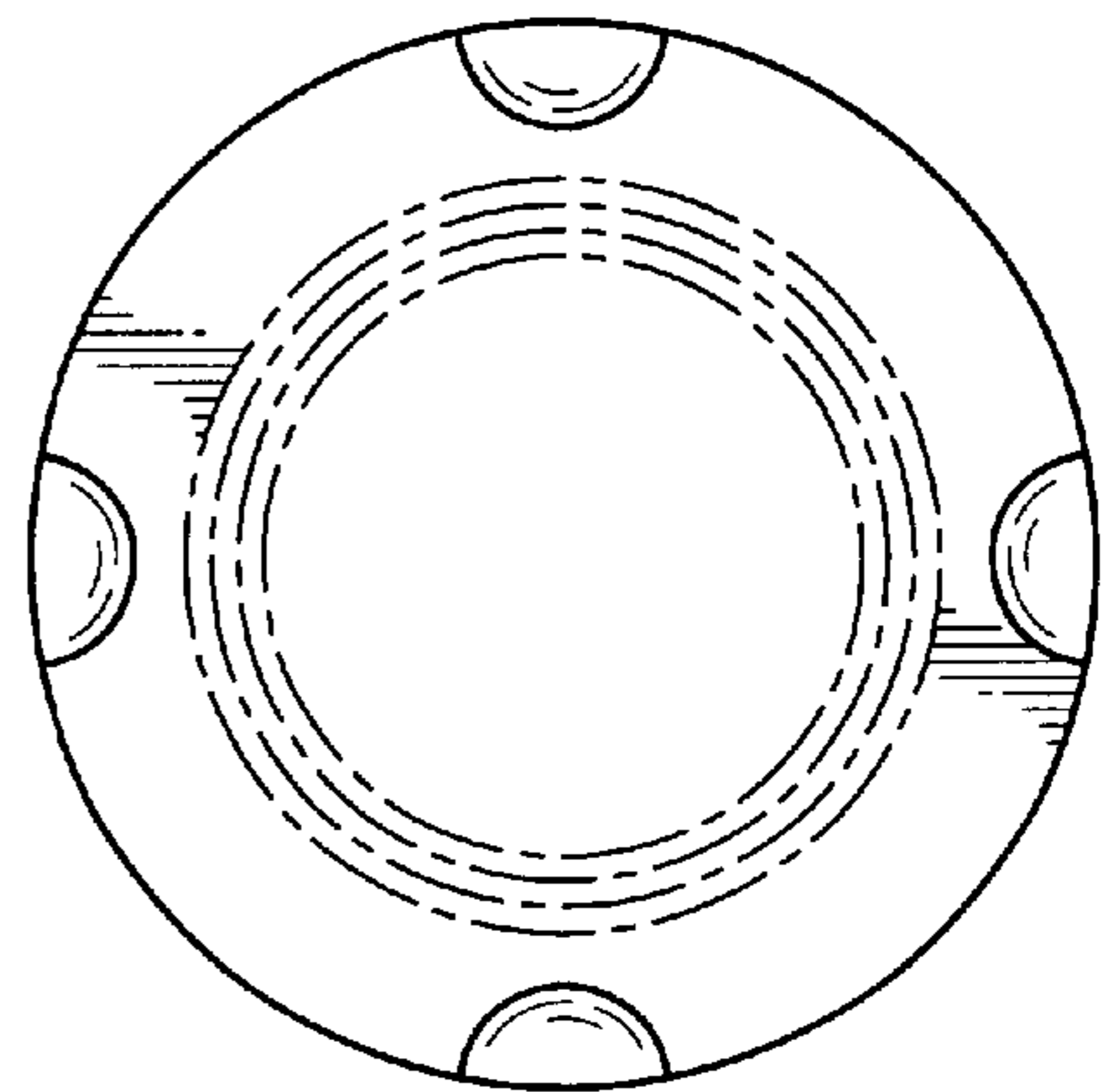


FIG. 3