



US00D483674S

(12) **United States Design Patent**
Clark

(10) **Patent No.:** **US D483,674 S**

(45) **Date of Patent:** **** Dec. 16, 2003**

(54) **JAR FOR FOOD PRODUCTS**

(76) Inventor: **Harvey P. Clark**, 143 Central St.,
Boylston, MA (US) 01505

(**) Term: **14 Years**

(21) Appl. No.: **29/174,439**

(22) Filed: **Jan. 17, 2003**

(51) **LOC (7) Cl.** **09-01**

(52) **U.S. Cl.** **D9/502; D9/520; D9/551;**
D9/557

(58) **Field of Search** D9/307, 500-503,
D9/516, 518, 519, 520, 537, 538, 541,
545, 548-551, 556-559, 563-564; 215/379-383,
400; 220/890

(56) **References Cited**

U.S. PATENT DOCUMENTS

D110,813 S	*	8/1938	Lewis	D9/503
D125,567 S	*	3/1941	Grunberg	D9/500
D211,563 S	*	7/1968	Cherry	D9/500
D261,987 S	*	11/1981	Pardo	D9/558
D300,722 S	*	4/1989	Muller	D9/503
D414,418 S	*	9/1999	Nosella	D9/502

D414,811 S * 10/1999 Base et al. D9/503

* cited by examiner

Primary Examiner—Sandra L. Morris

(74) *Attorney, Agent, or Firm*—Brian M. Dingman, Esq.;
Mirick, O’Connell, DeMallie & Lougee, LLP

(57) **CLAIM**

The ornamental design for the jar for food products, as shown and described.

DESCRIPTION

FIG. 1 is a perspective view of the jar for food products, showing my new design, looking down and at one side thereof;

FIG. 2 is a similar view but showing the opposite side thereof;

FIG. 3 is an elevational view of the side shown in the front in FIG. 2;

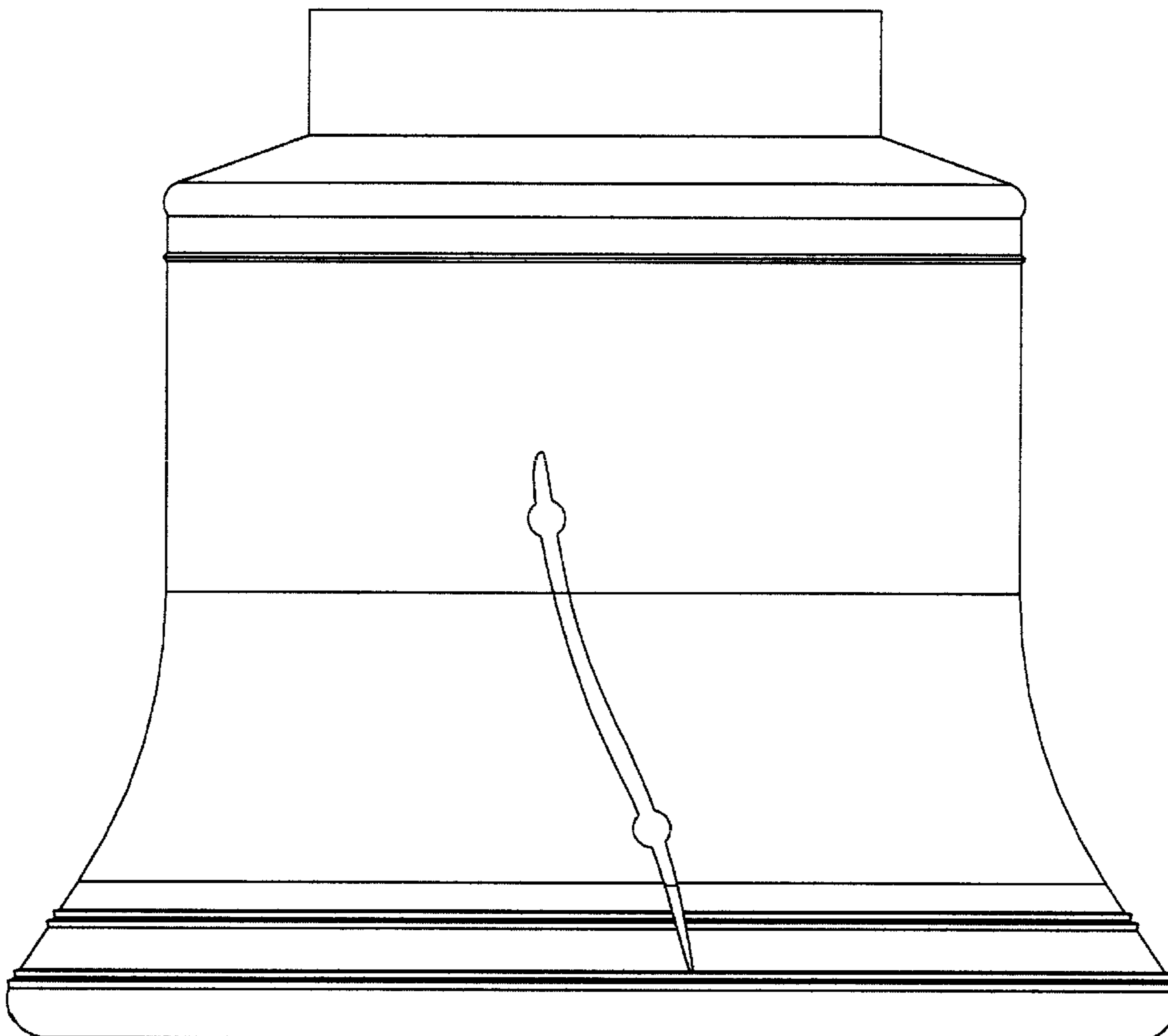
FIG. 4 is a bottom perspective view of the same side shown in FIGS. 2 and 3;

FIG. 5 is a bottom perspective view of the side shown in FIG. 1;

FIG. 6 is a top plan view thereof; and,

FIG. 7 is a bottom plan view thereof.

1 Claim, 7 Drawing Sheets



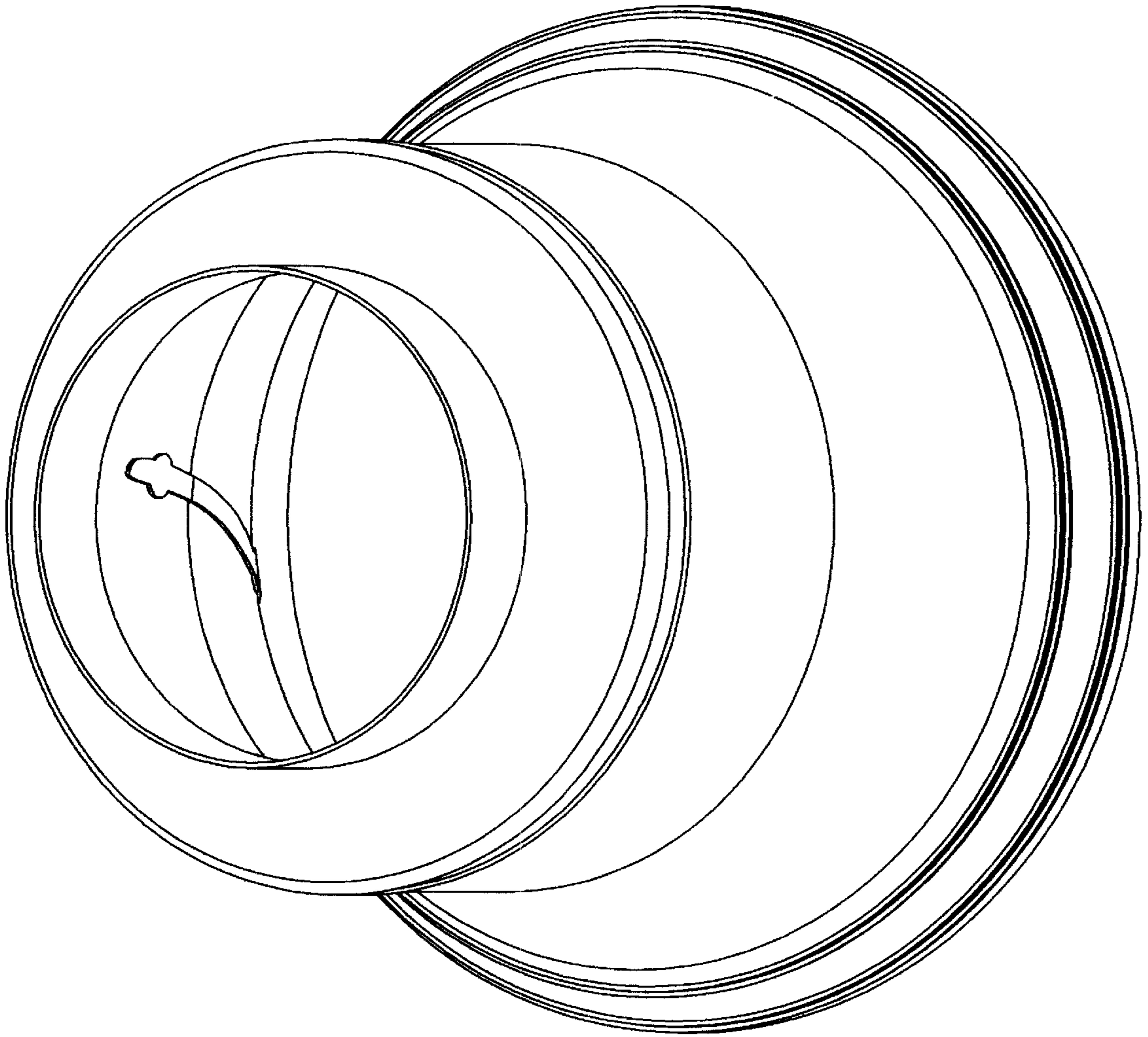


FIG. 1

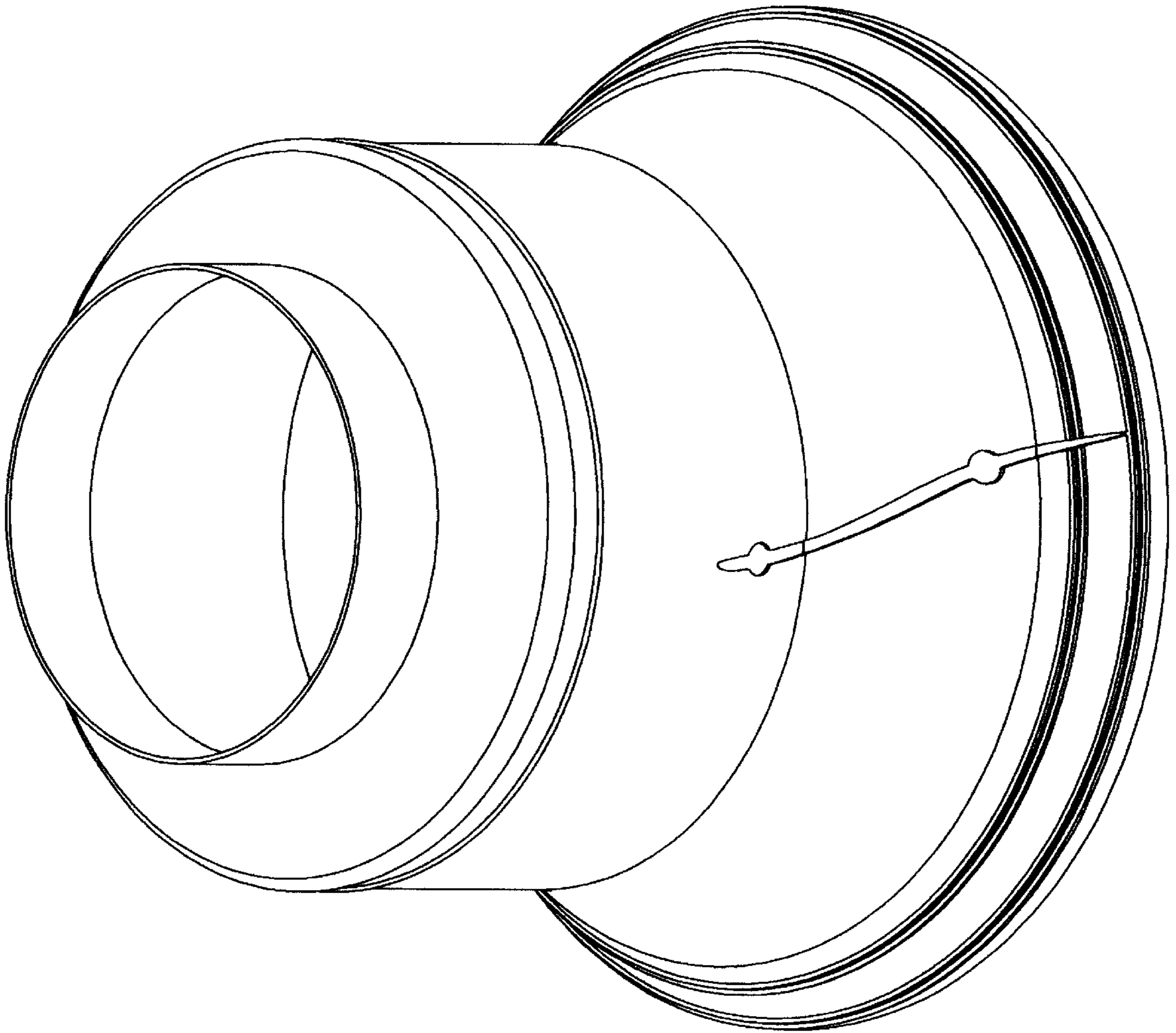


FIG. 2

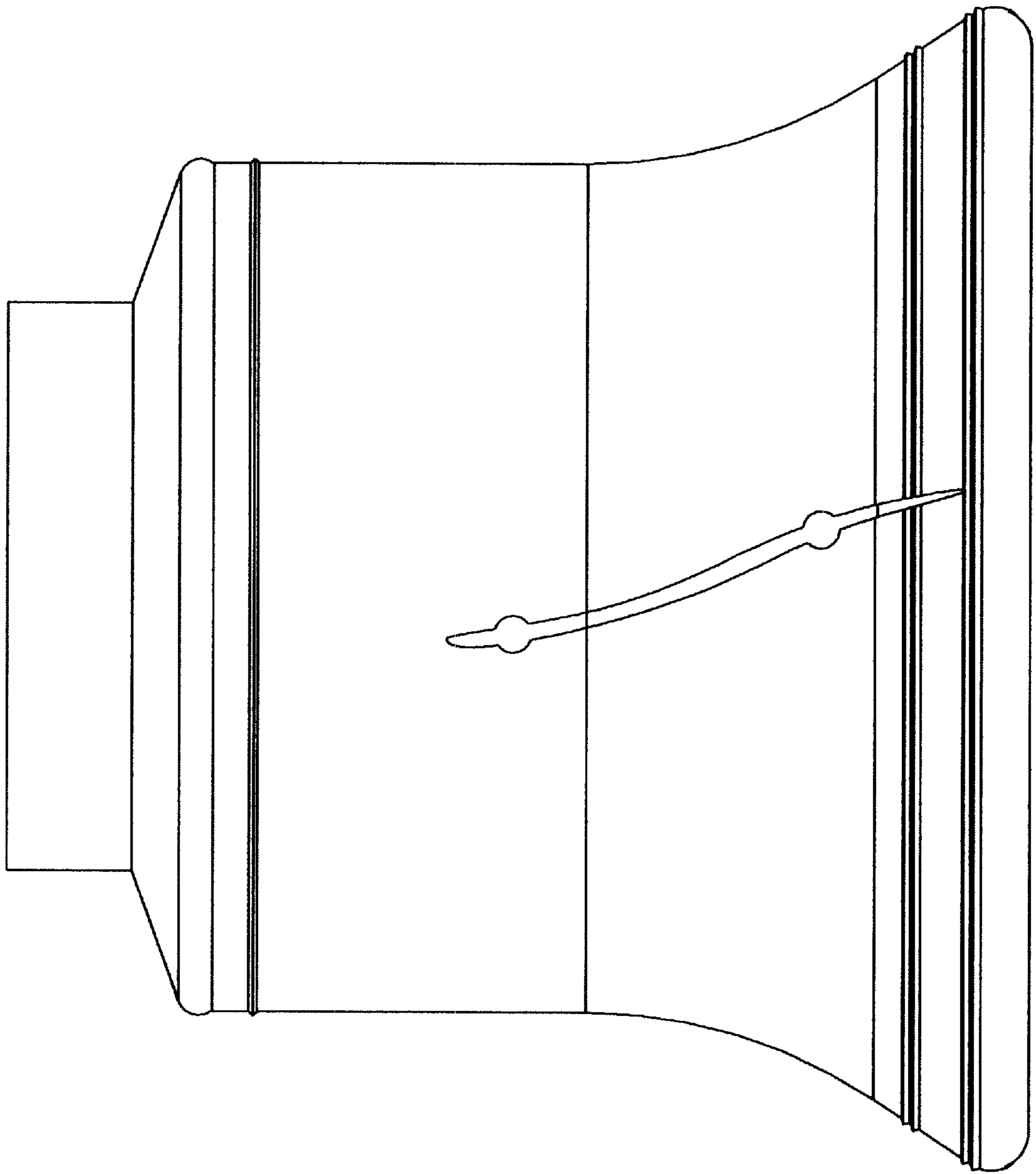


FIG. 3

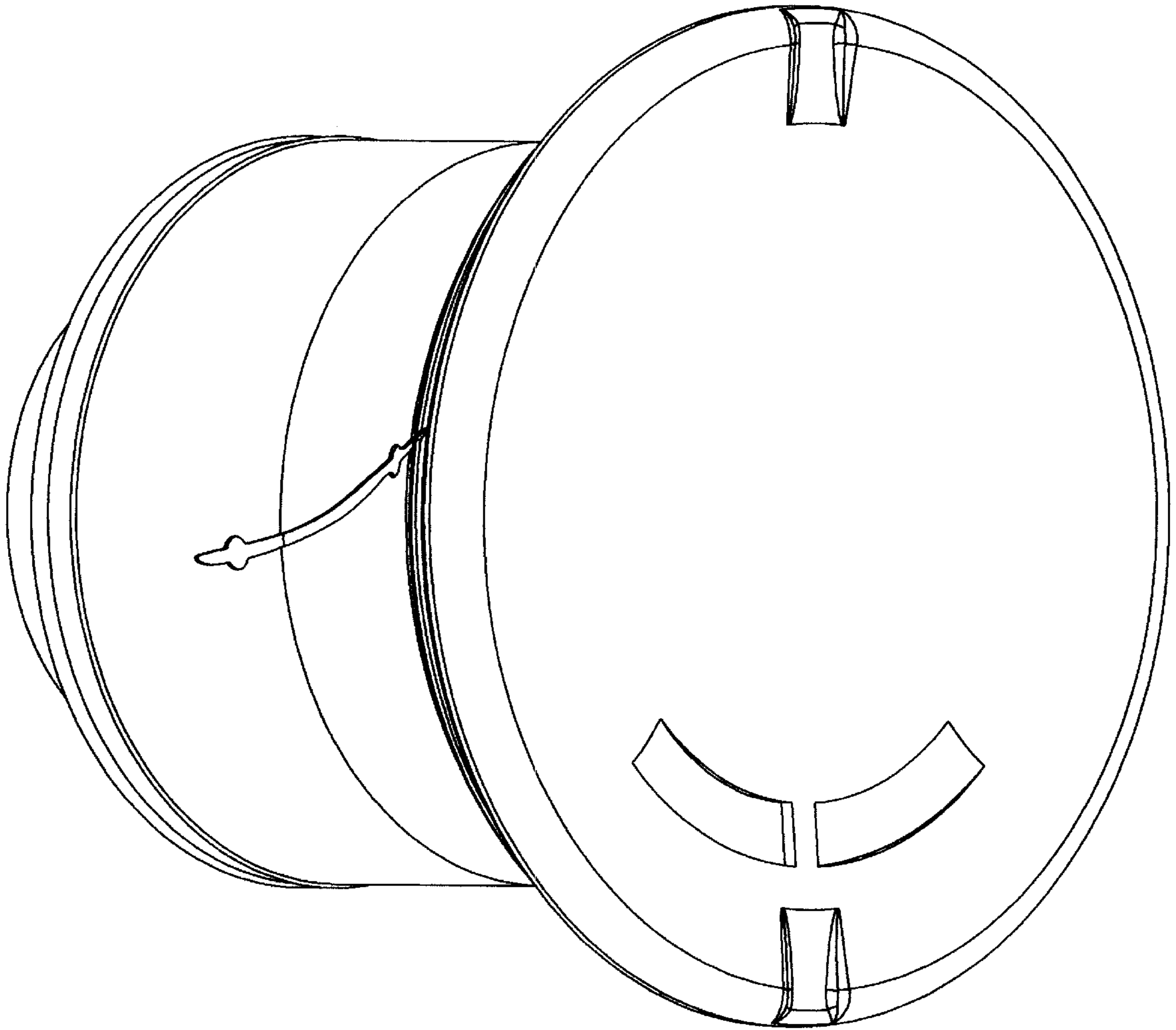


FIG. 4

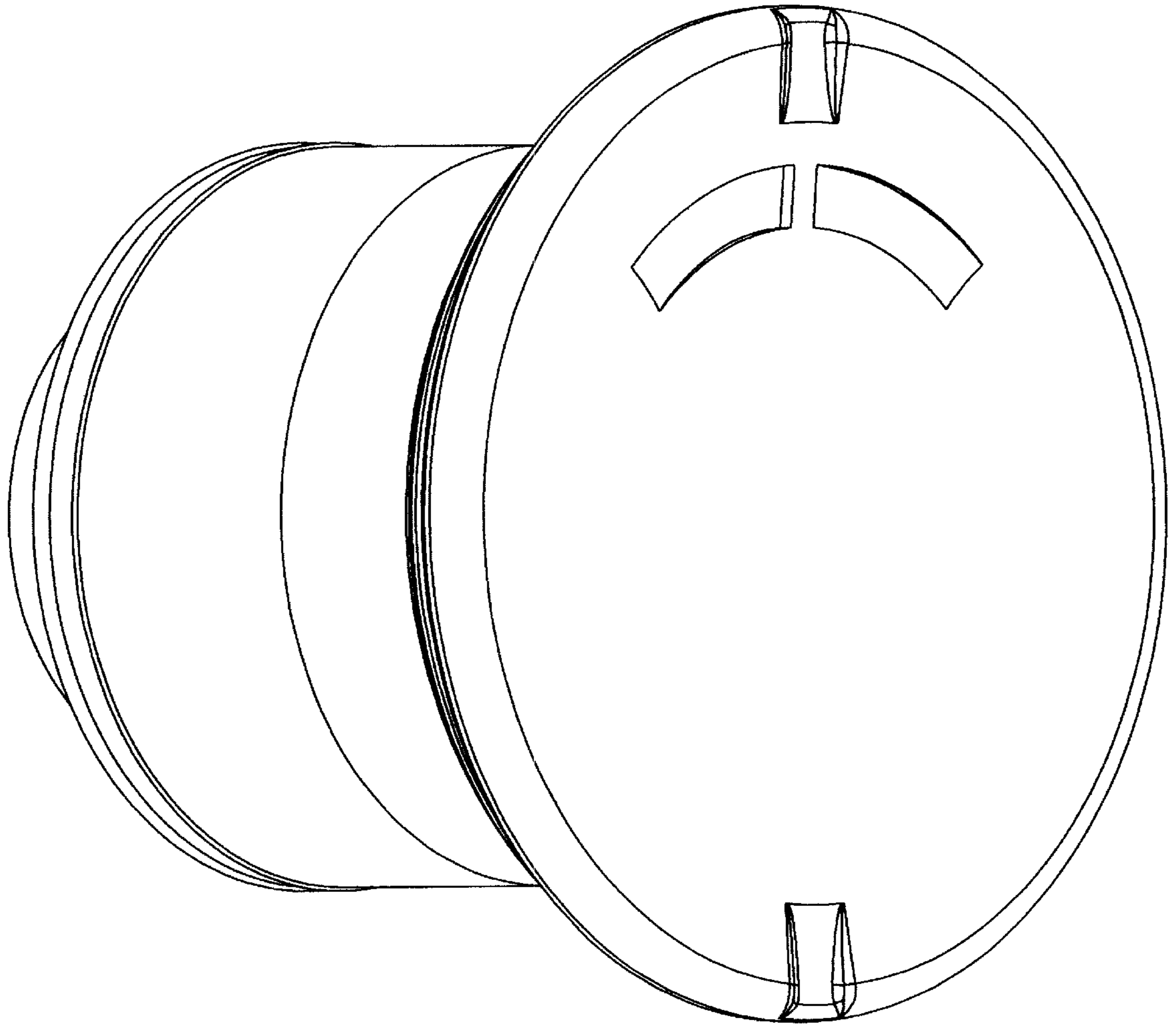


FIG. 5

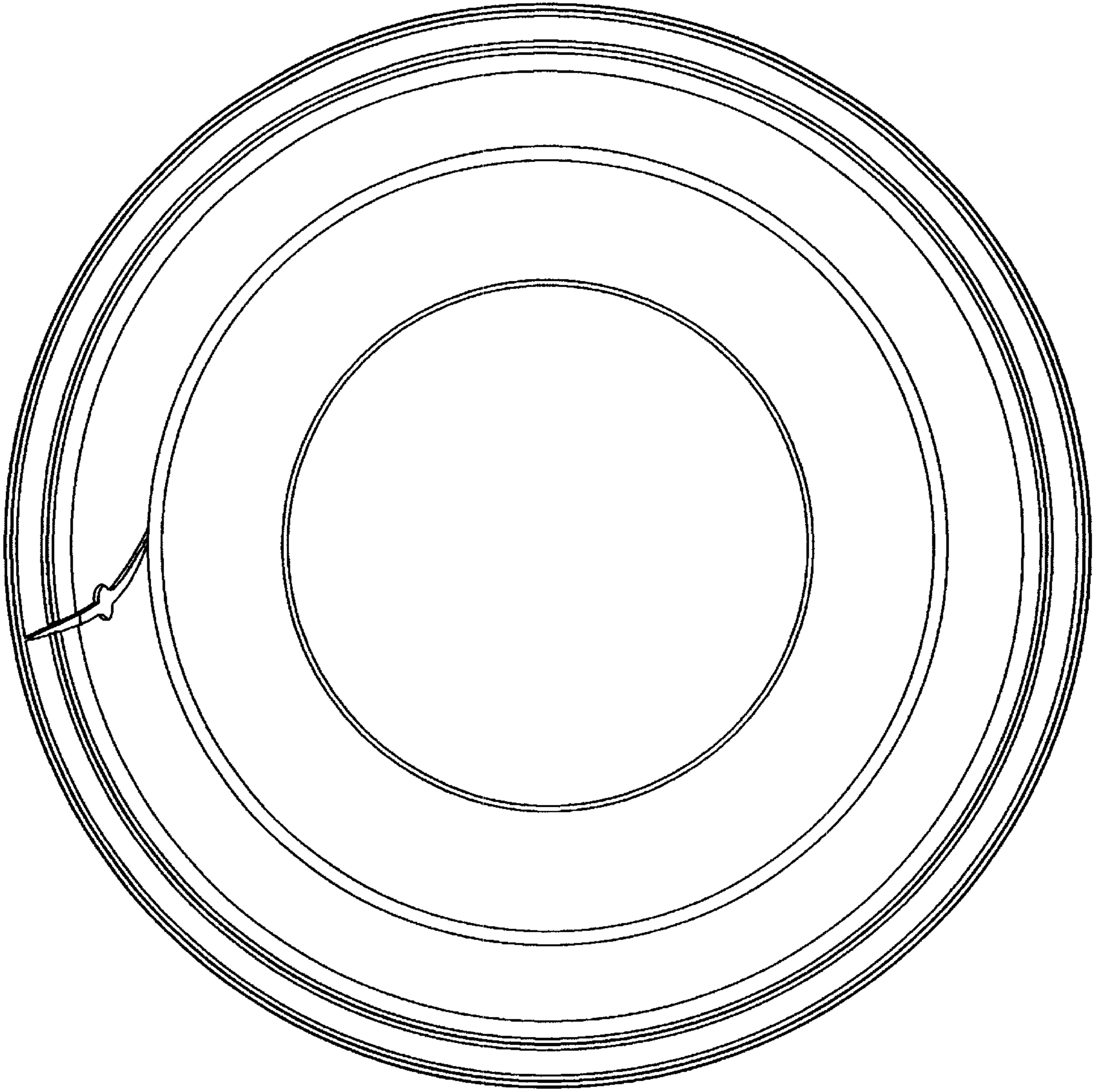


FIG. 6

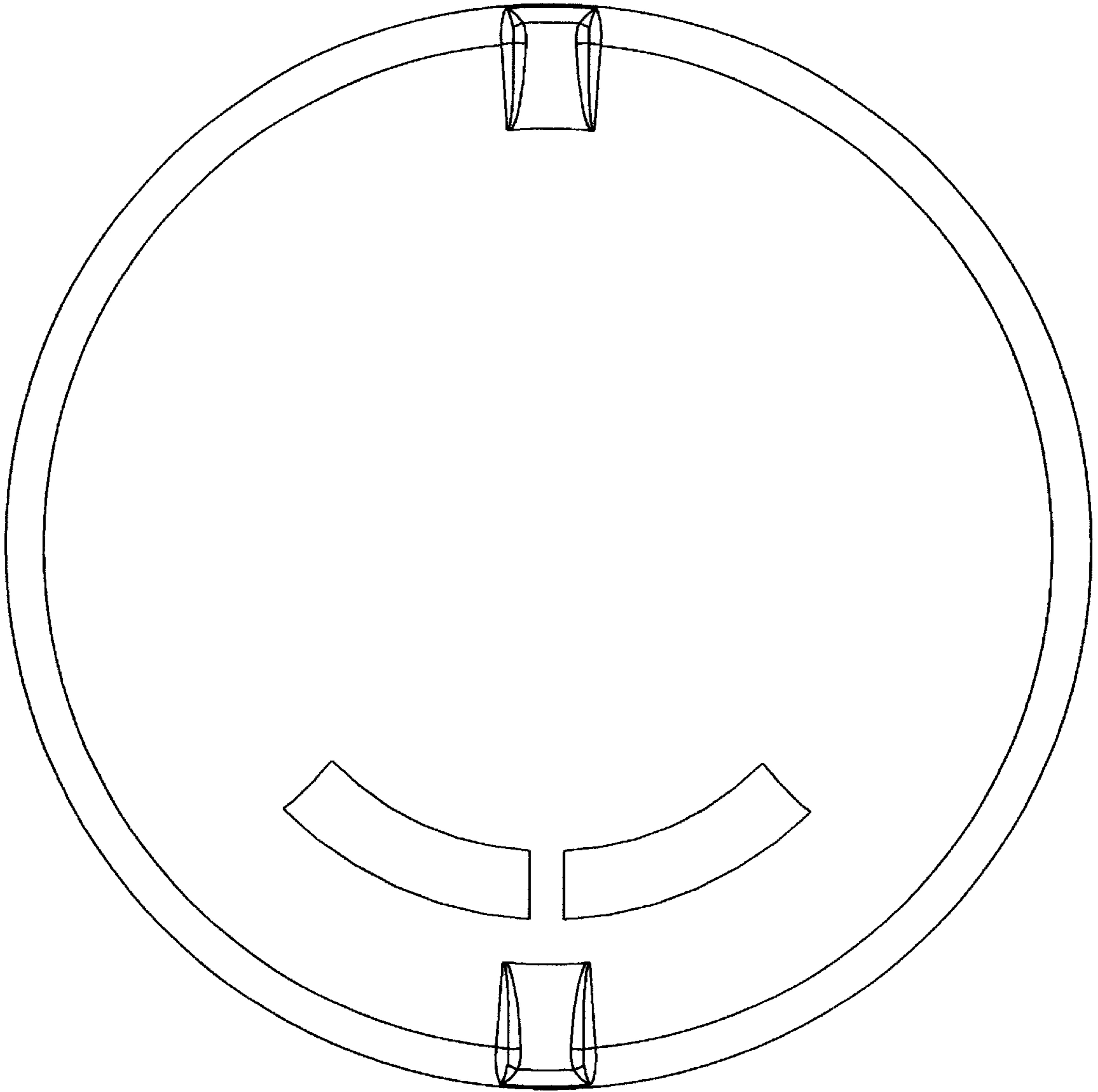


FIG. 7