



US00D483671S

(12) **United States Design Patent**  
**Pinnavaia**

(10) **Patent No.:** **US D483,671 S**

(45) **Date of Patent:** **\*\* Dec. 16, 2003**

(54) **BOTTLE**

D446,728 S \* 8/2001 Bakic ..... D9/558  
D474,978 S \* 5/2003 Varlet ..... D9/549

(75) Inventor: **Paola Pinnavaia**, Rome (IT)

\* cited by examiner

(73) Assignee: **Lumson S.p.A.**, Capergnanica (IT)

*Primary Examiner*—Sandra L. Morris

(\*\*) Term: **14 Years**

(74) *Attorney, Agent, or Firm*—Young & Thompson

(21) Appl. No.: **29/164,323**

(57) **CLAIM**

(22) Filed: **Jul. 24, 2002**

The ornamental design for a bottle, as shown and described.

(30) **Foreign Application Priority Data**

**DESCRIPTION**

Jan. 25, 2002 (IT) ..... MI200200052

FIG. 1 is a front and side perspective view of a bottle showing my new design;

(51) **LOC (7) Cl.** ..... **09-01**

FIG. 2 is a front elevational view thereof;

(52) **U.S. Cl.** ..... **D9/500**

FIG. 3 is a view similar to FIG. 2 but rotated 90° about a vertical axis from the FIG. 2 position;

(58) **Field of Search** ..... D9/500–504, 516, D9/519, 537–543, 545, 549, 562, 558; 215/379–383, 400; 200/870; D28/76

FIG. 4 is a view similar to FIGS. 2 and 3 but rotated a further 90° about a vertical axis in the same direction as FIG. 3;

(56) **References Cited**

**U.S. PATENT DOCUMENTS**

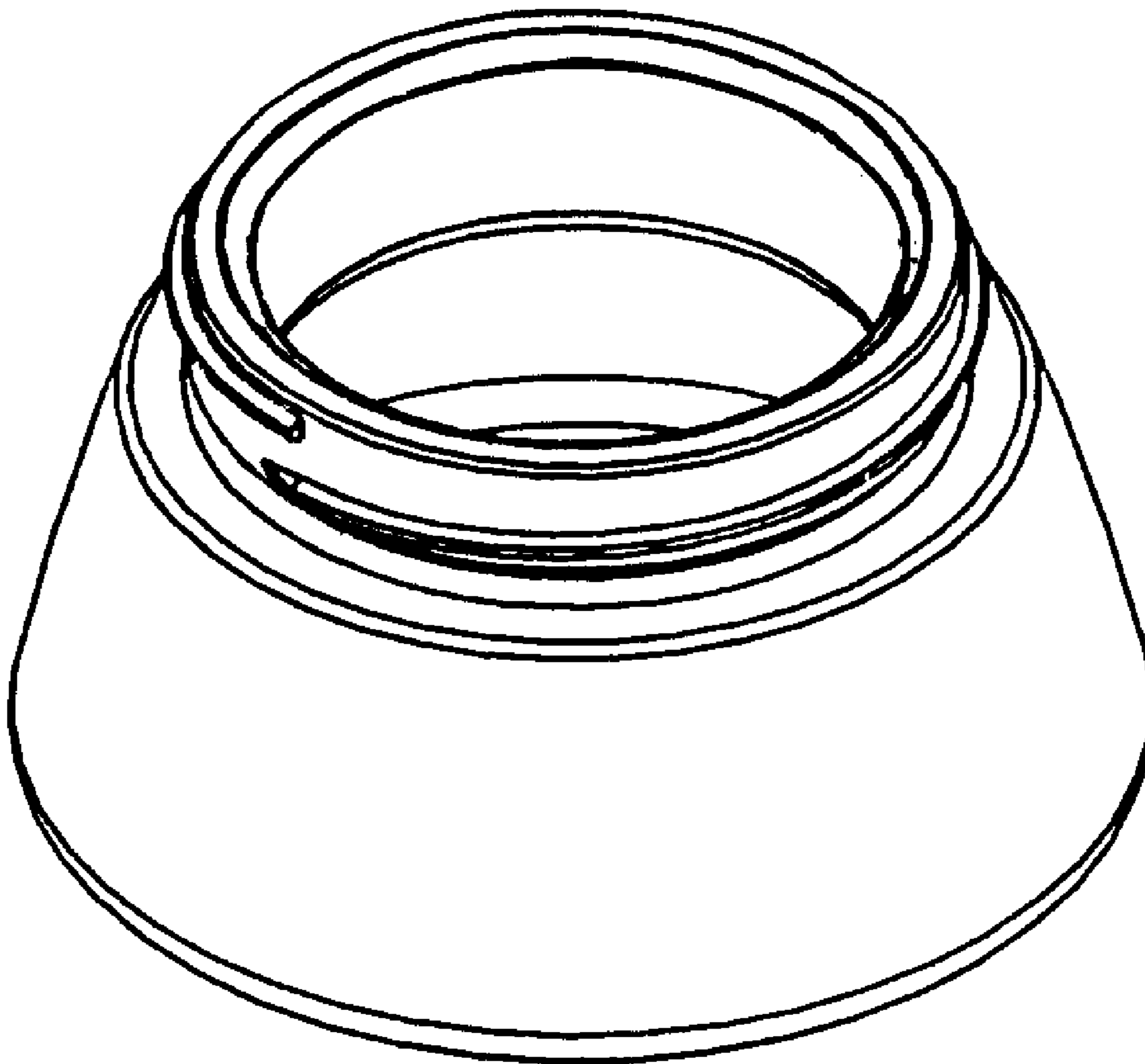
3,464,599 A \* 9/1969 Meth ..... D9/503  
D434,324 S \* 11/2000 Gobe ..... D9/504  
D435,449 S \* 12/2000 Moretti ..... D9/500

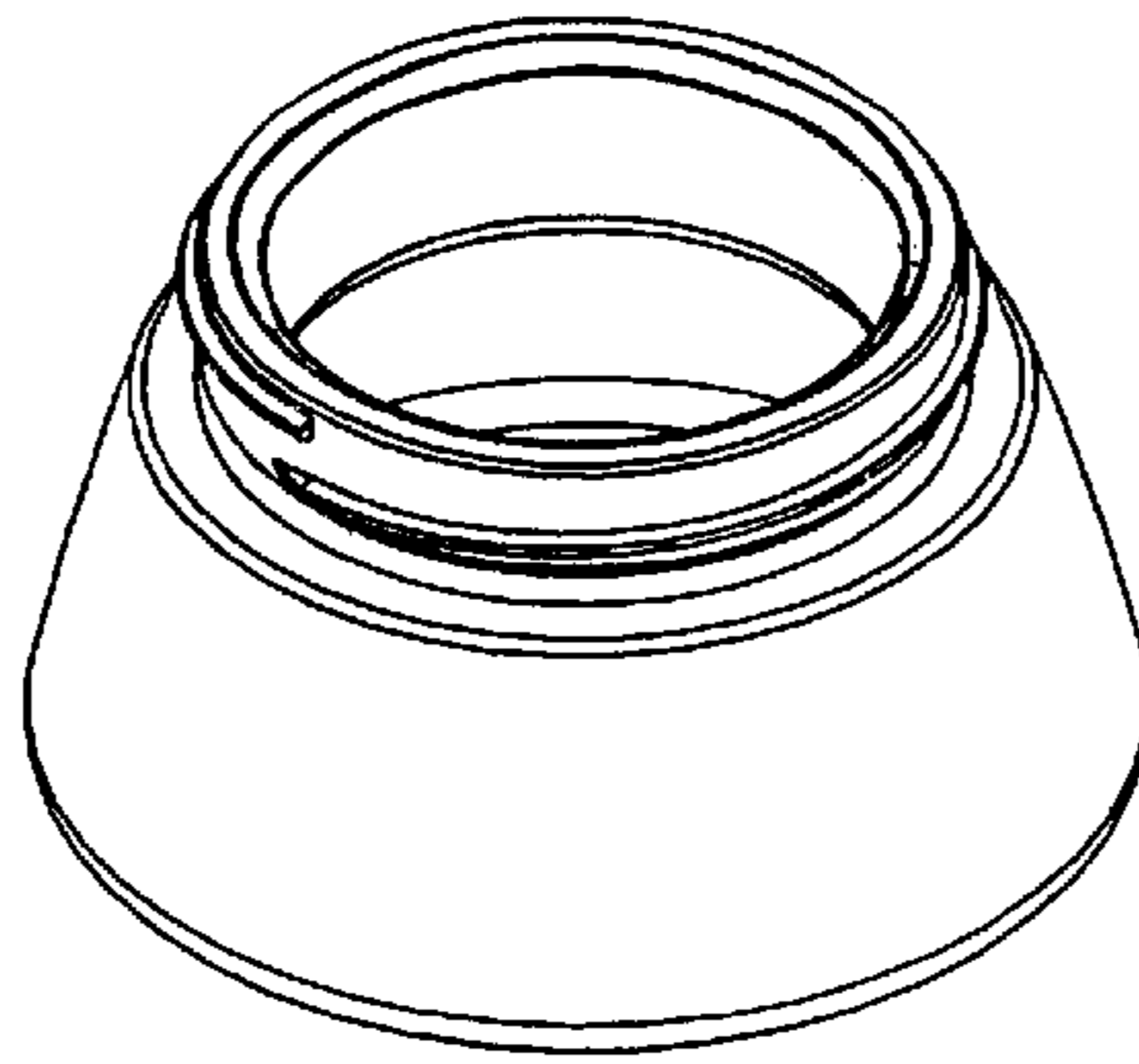
FIG. 5 is a view similar to FIGS. 2–4 but rotated a still further 90° about a vertical axis in the same direction as FIGS. 3 and 4;

FIG. 6 is a top plan view thereof; and,

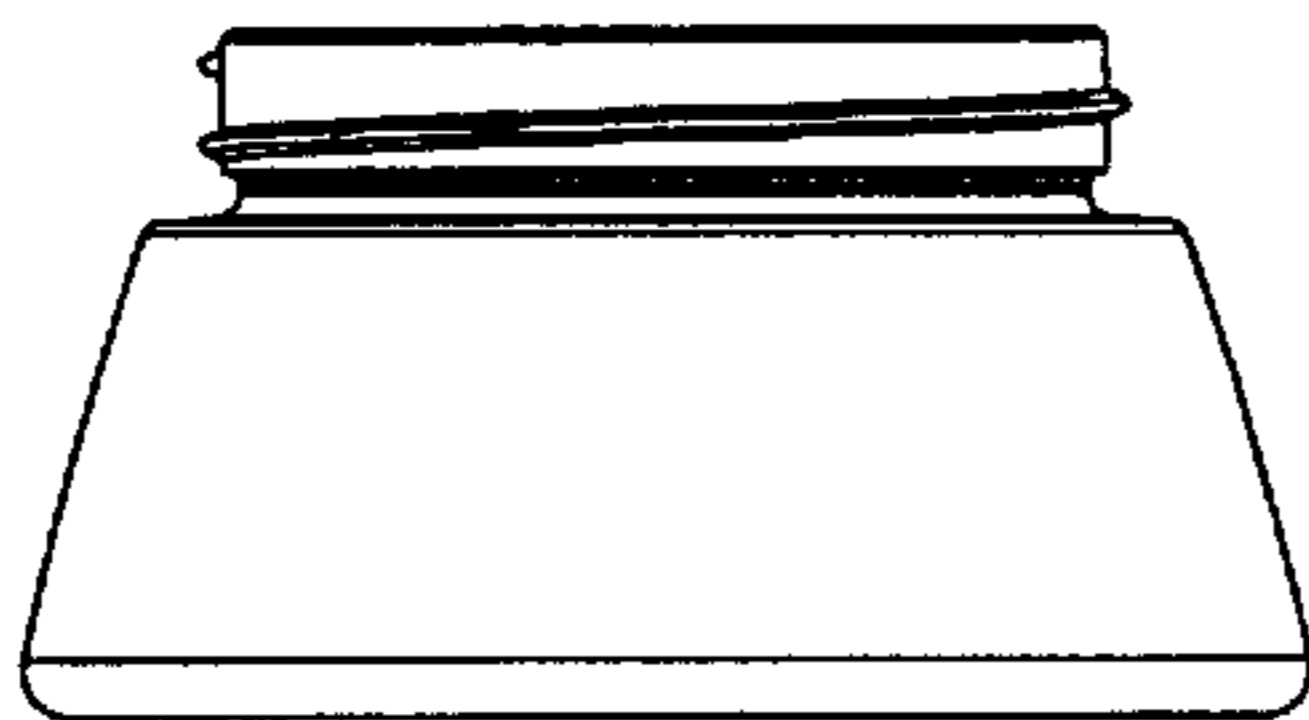
FIG. 7 is a bottom plan view thereof.

**1 Claim, 1 Drawing Sheet**

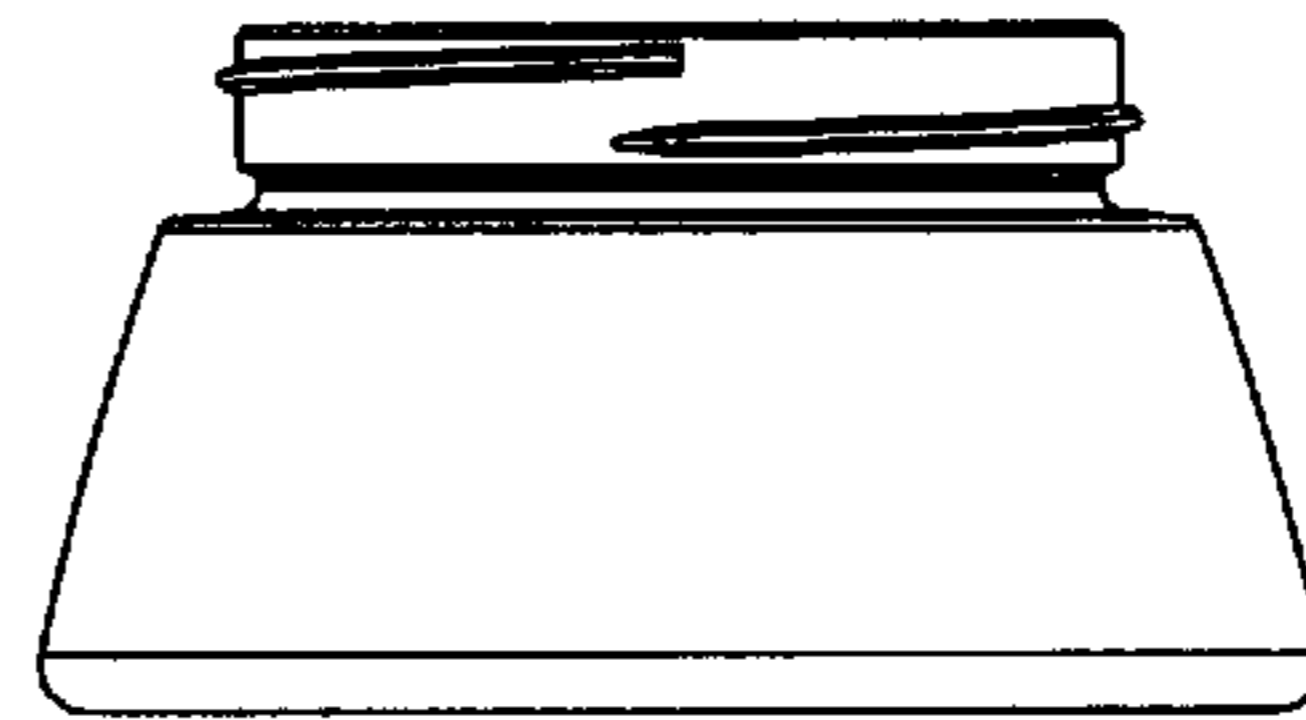




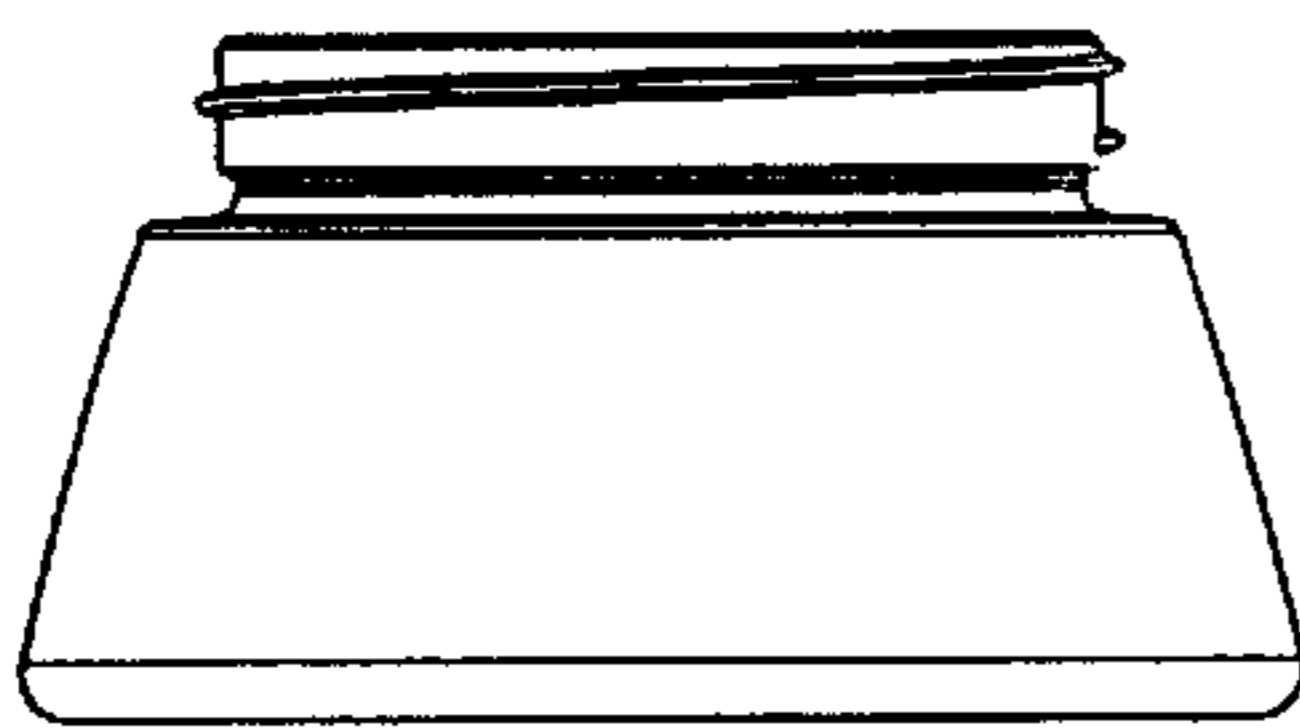
*FIG. 1*



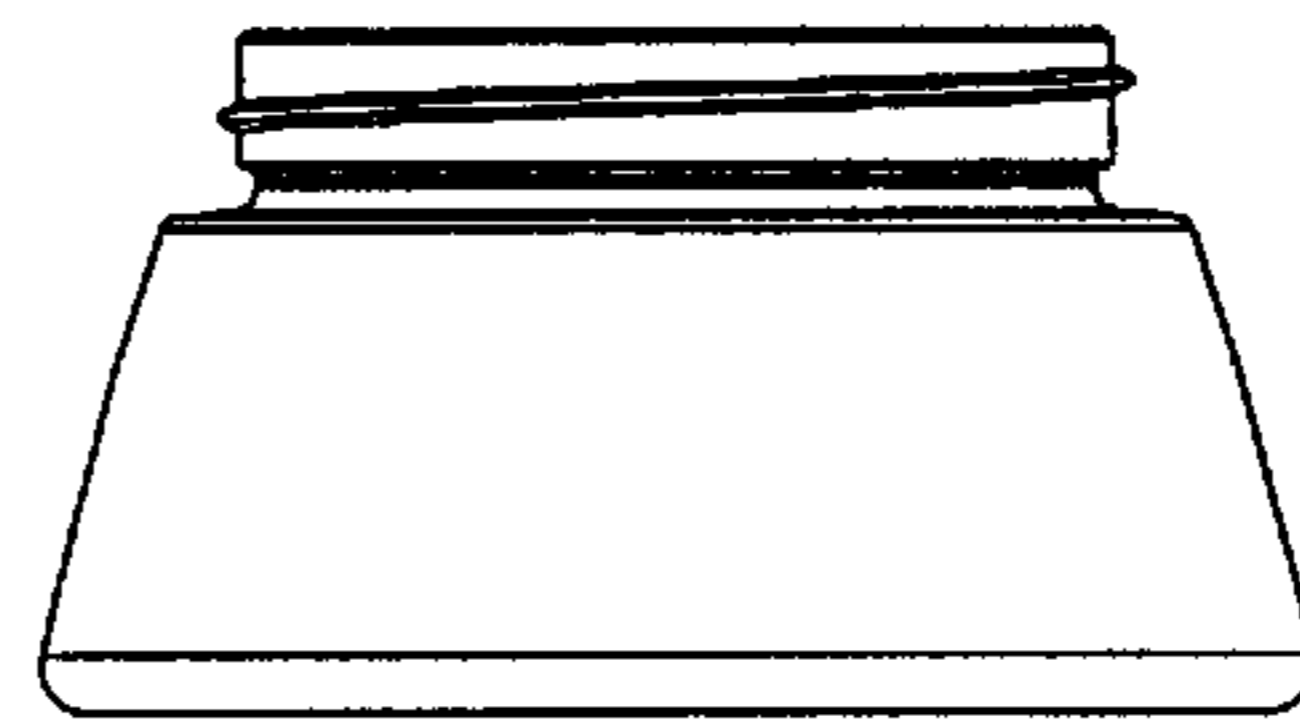
*FIG. 2*



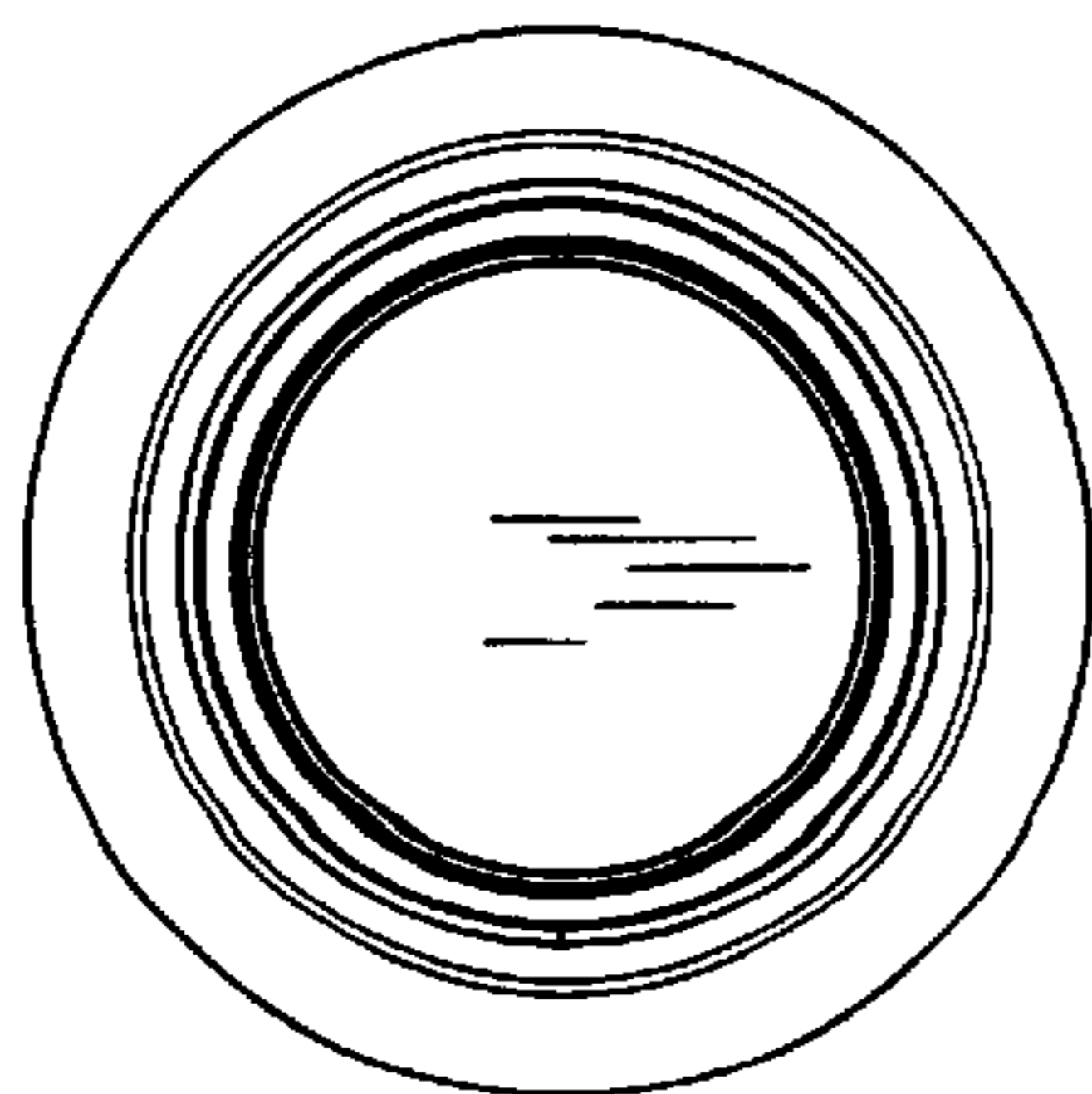
*FIG. 3*



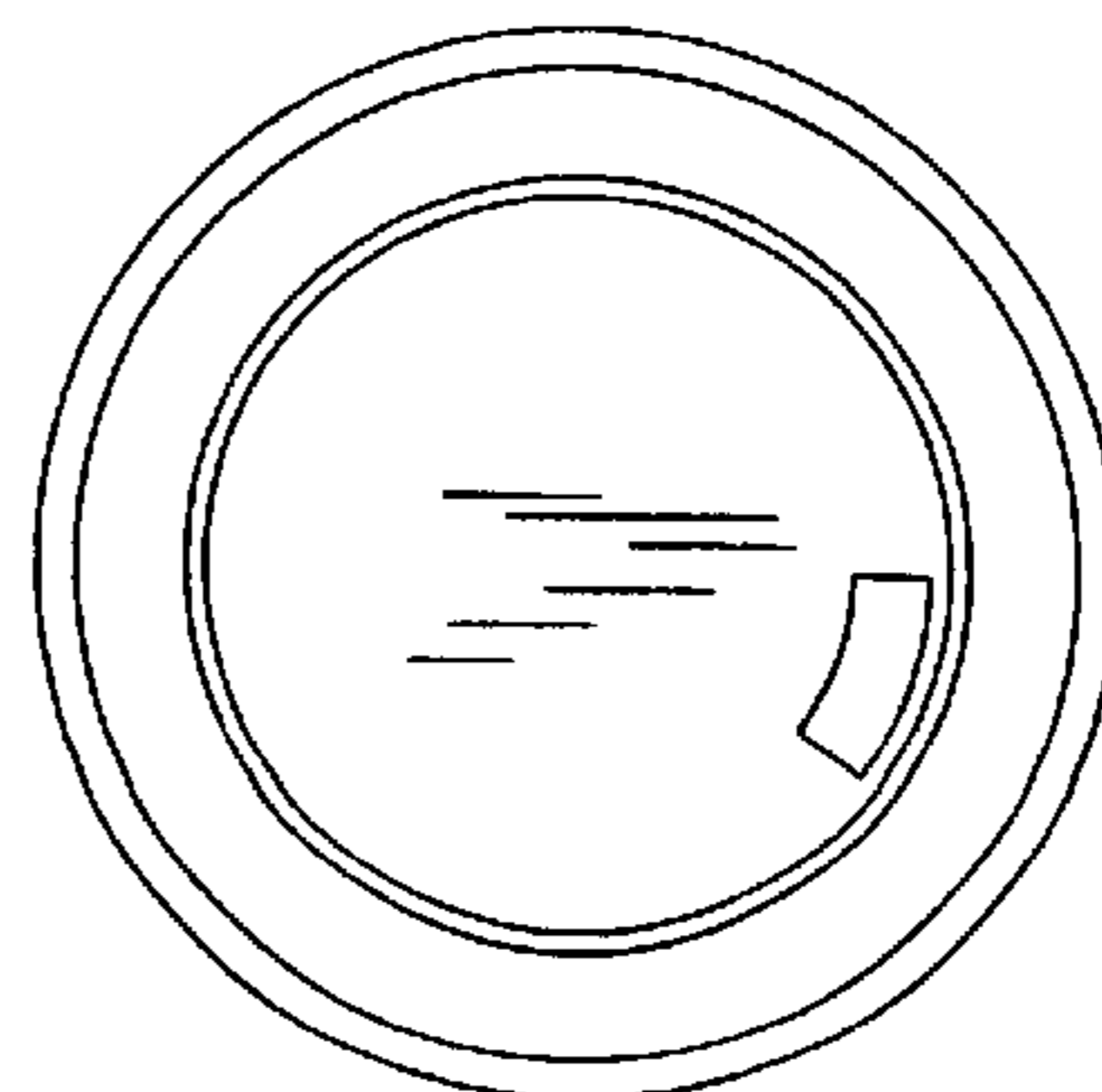
*FIG. 4*



*FIG. 5*



*FIG. 6*



*FIG. 7*