



US00D483664S

(12) **United States Design Patent**
Cadiente

(10) **Patent No.:** **US D483,664 S**

(45) **Date of Patent:** **** Dec. 16, 2003**

(54) **PACKAGING CONTAINER**

Primary Examiner—Philip S. Hyder

(75) **Inventor:** **Anthony Cadiente**, Salinas, CA (US)

Assistant Examiner—Daniel Bui

(73) **Assignee:** **Sambrailo Packaging, Inc.**,
Watsonville, CA (US)

(74) *Attorney, Agent, or Firm*—Beyer Weaver & Thomas,
LLP

(**) **Term:** **14 Years**

(57) **CLAIM**

(21) **Appl. No.:** **29/170,402**

We claim the ornamental design for a packaging container,
as shown.

(22) **Filed:** **Nov. 5, 2002**

(51) **LOC (7) Cl.** **09-03**

DESCRIPTION

(52) **U.S. Cl.** **D9/418; D9/432**

(58) **Field of Search** D9/414, 418, 420,
D9/422, 423, 424, 425, 427, 432, 499;
206/216, 223, 527, 550, 557, 828; 220/9.1,
200, 202, 345.1, 810, 890

FIG. 1 is a perspective view of an opened packaging
container of the claimed design.

FIG. 2 is a perspective view of a closed packaging
container of the claimed design.

FIG. 3 is a right side view of a closed packaging
container of the claimed design.

(56) **References Cited**

U.S. PATENT DOCUMENTS

FIG. 4 is a left side view of a closed packaging
container of the claimed design.

FIG. 5 is a back side view of a closed packaging
container of the claimed design.

FIG. 6 is a front side view of a closed packaging
container of the claimed design.

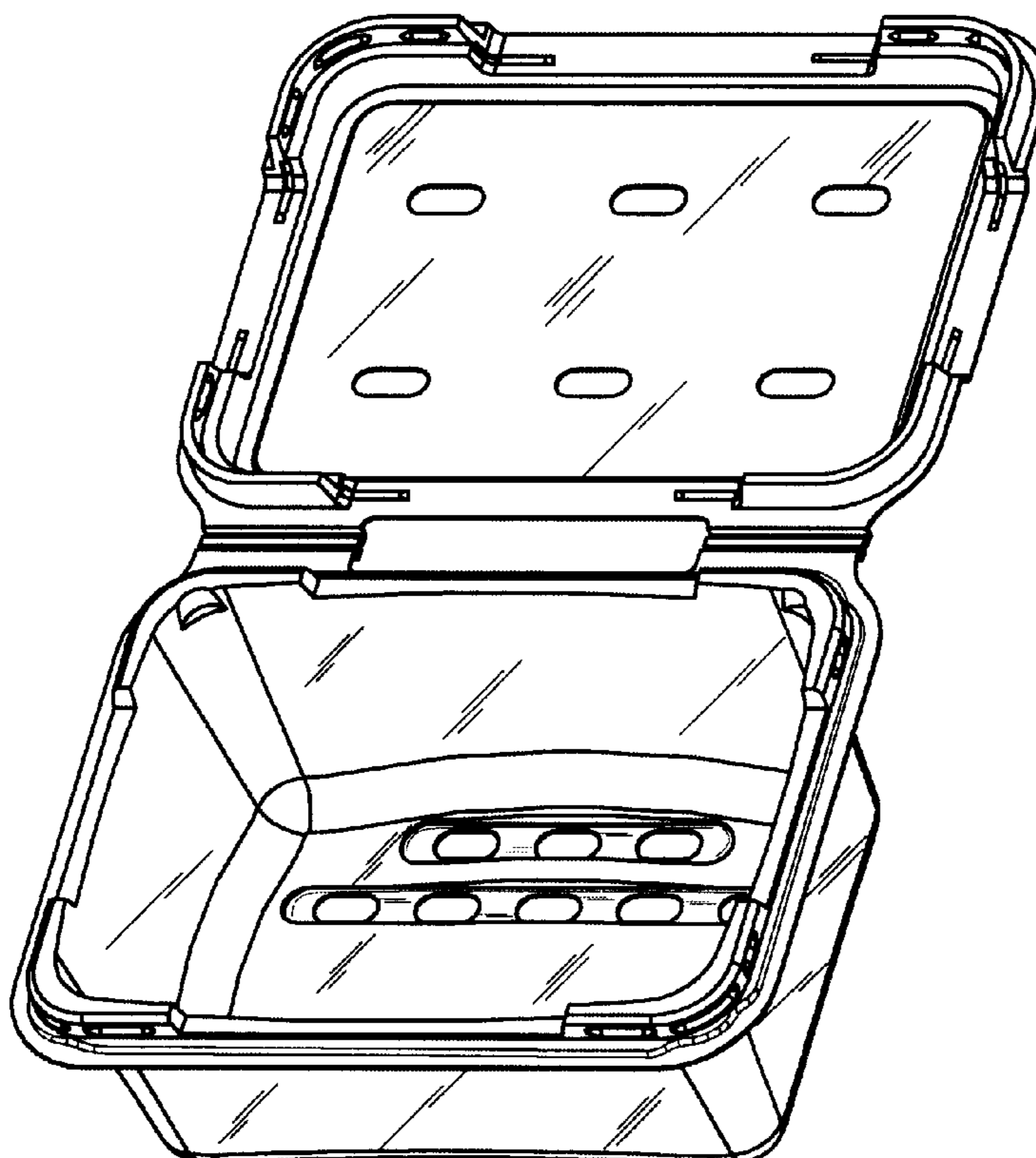
D248,280 S	*	6/1978	Martin	D9/243
D315,870 S	*	4/1991	Perdue, Jr. et al.	D9/420
D327,220 S	*	6/1992	Proffitt et al.	D9/423
D328,425 S	*	8/1992	Brightbill	D9/425
D344,387 S	*	2/1994	Holliday	D3/312
D354,436 S	*	1/1995	Krupa	D9/423
D384,502 S	*	10/1997	Seager et al.	D3/294
D409,484 S	*	5/1999	Tasker	D9/423
D446,450 S	*	8/2001	Zettle et al.	D9/425

FIG. 7 is a top plan view of an open packaging
container of the claimed design; and,

FIG. 8 is a plan view of the top of a closed
packaging container of the claimed design.

* cited by examiner

1 Claim, 4 Drawing Sheets



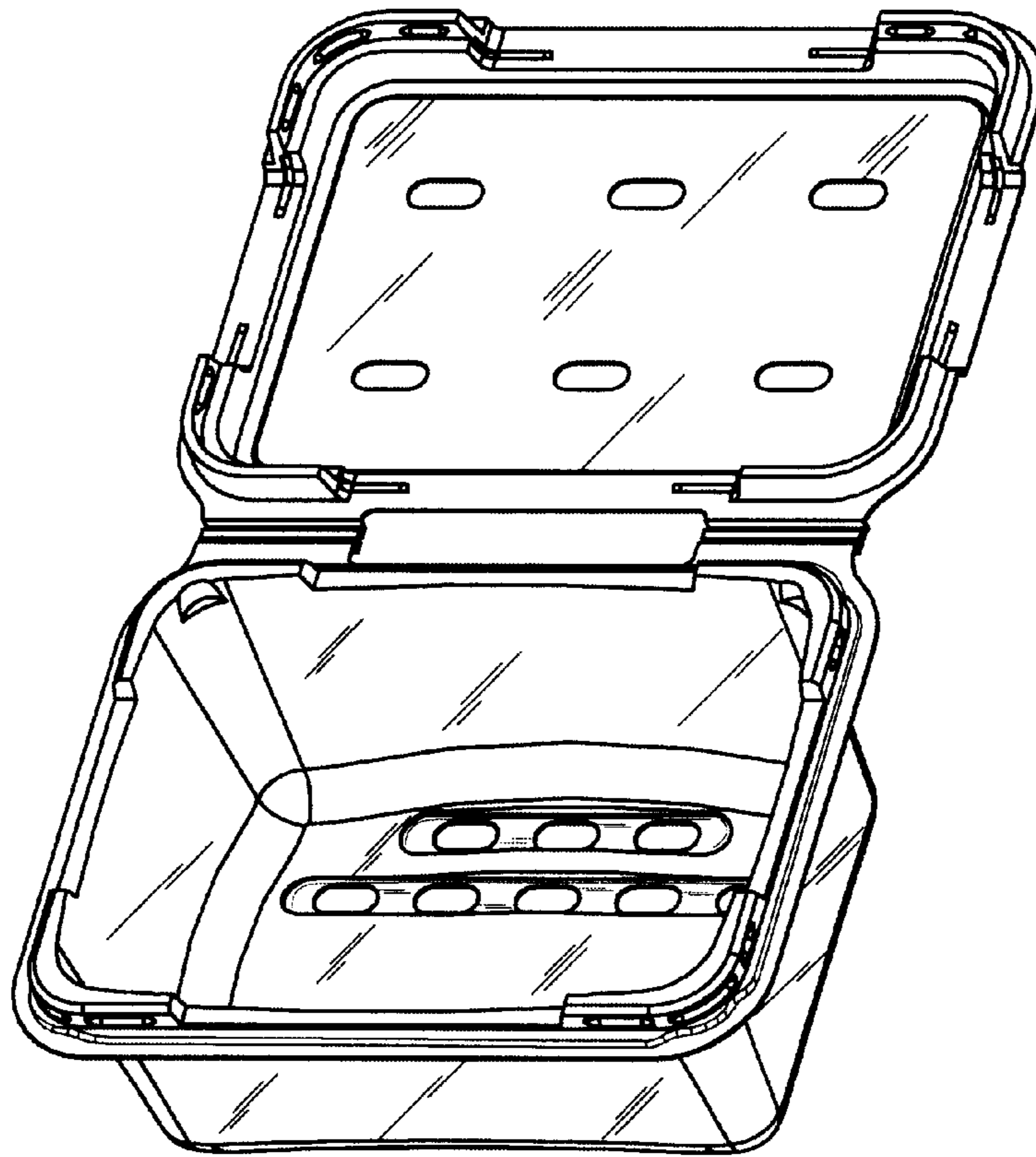


FIG. 1

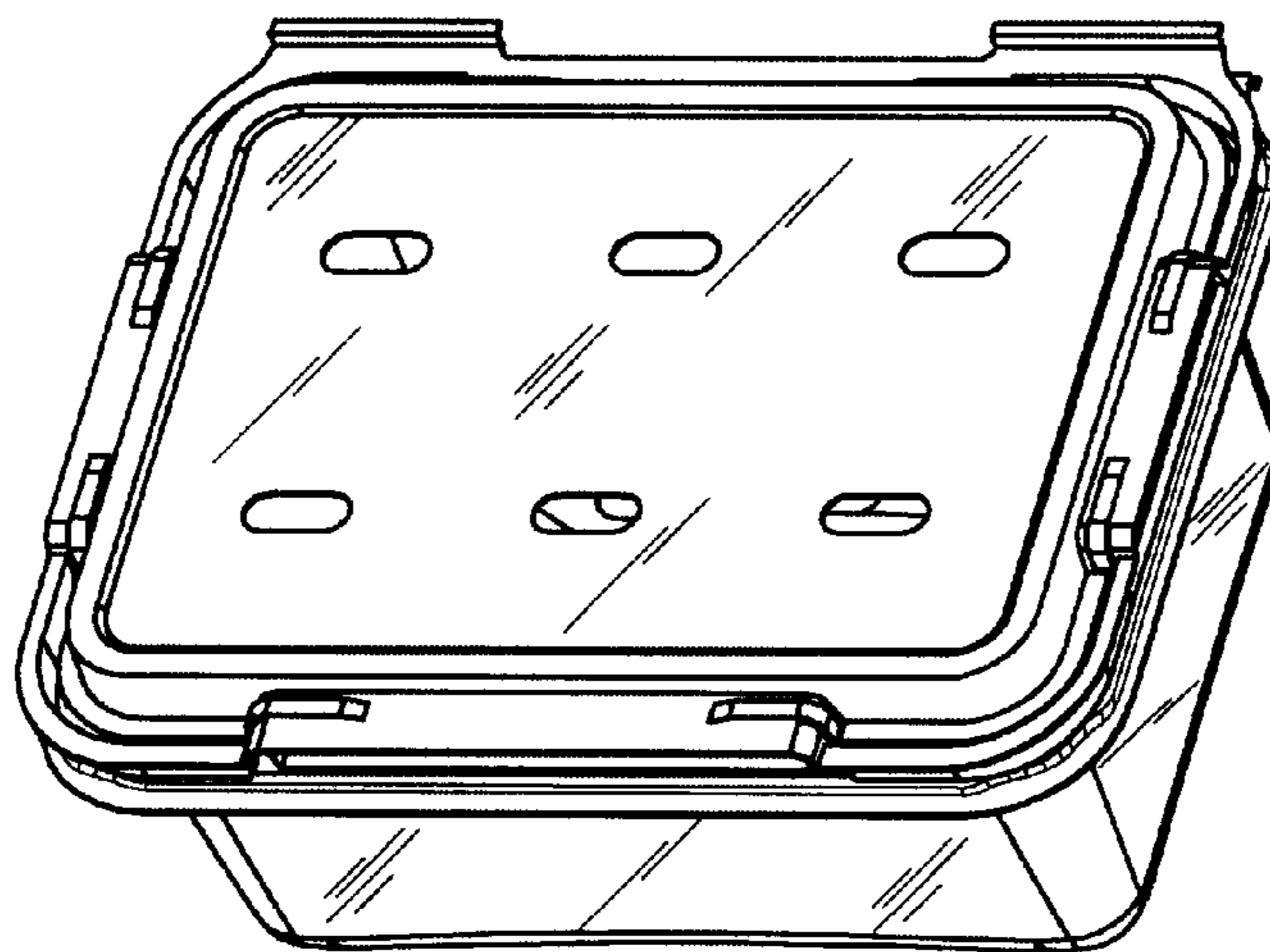


FIG. 2

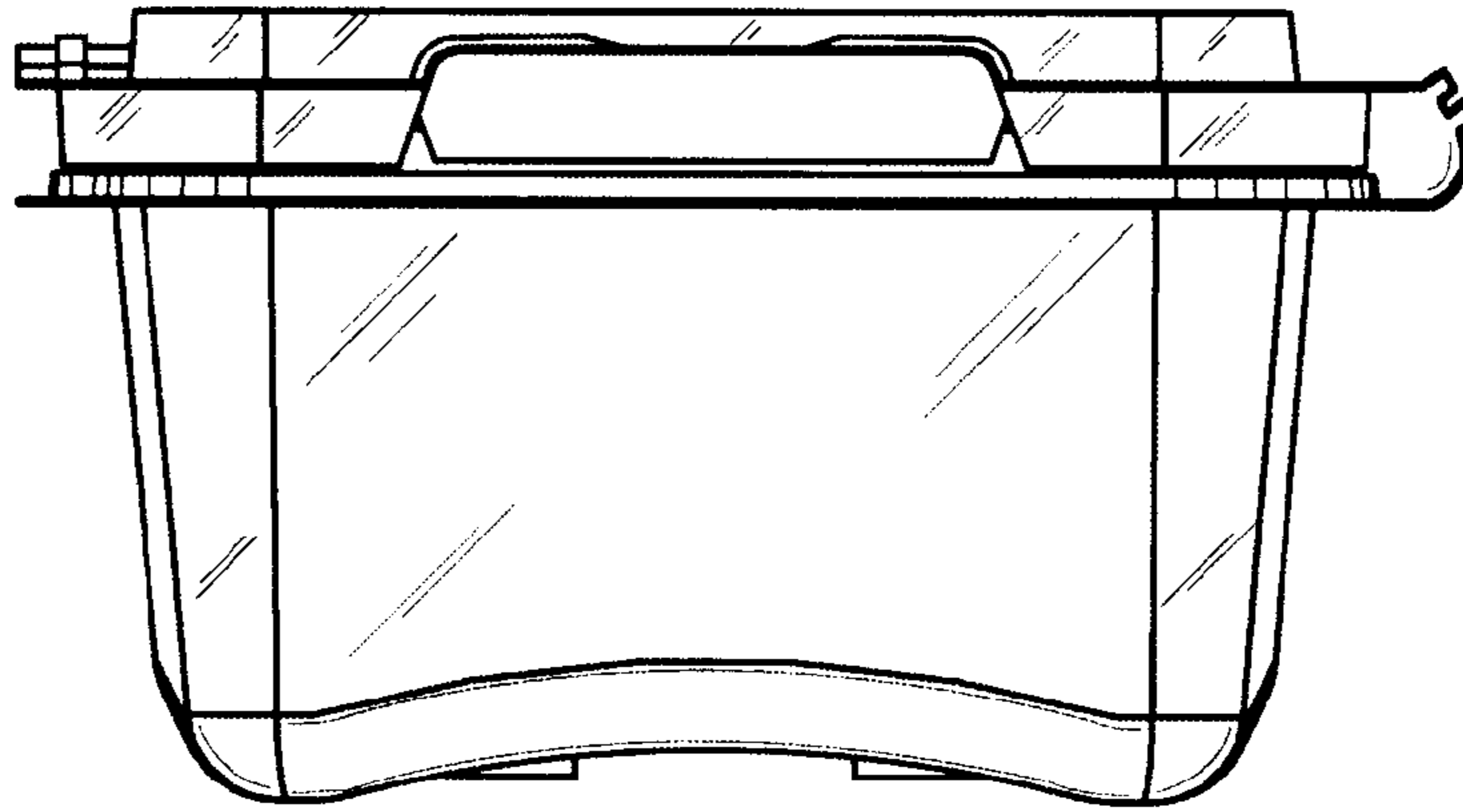


FIG. 3

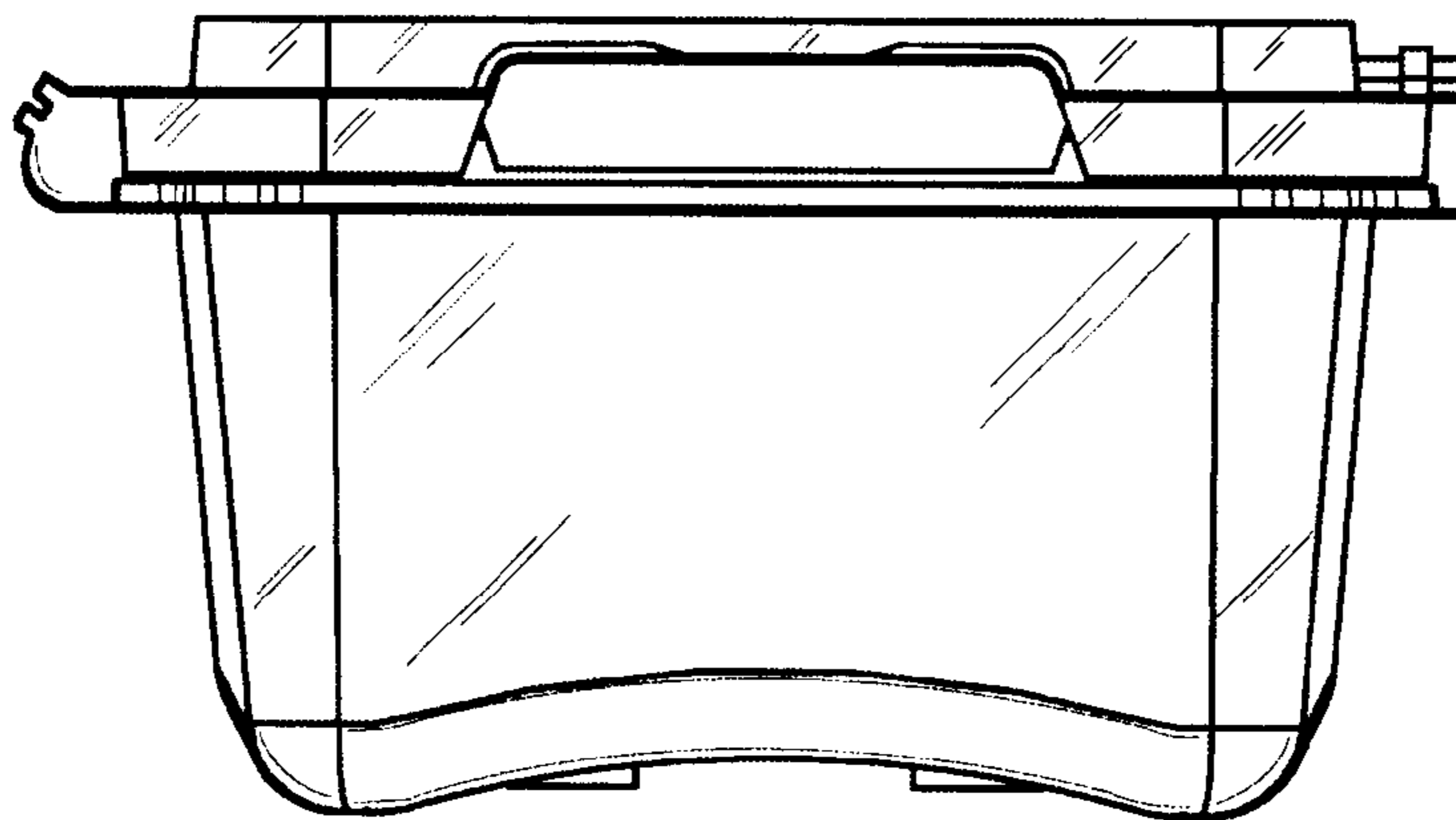


FIG. 4

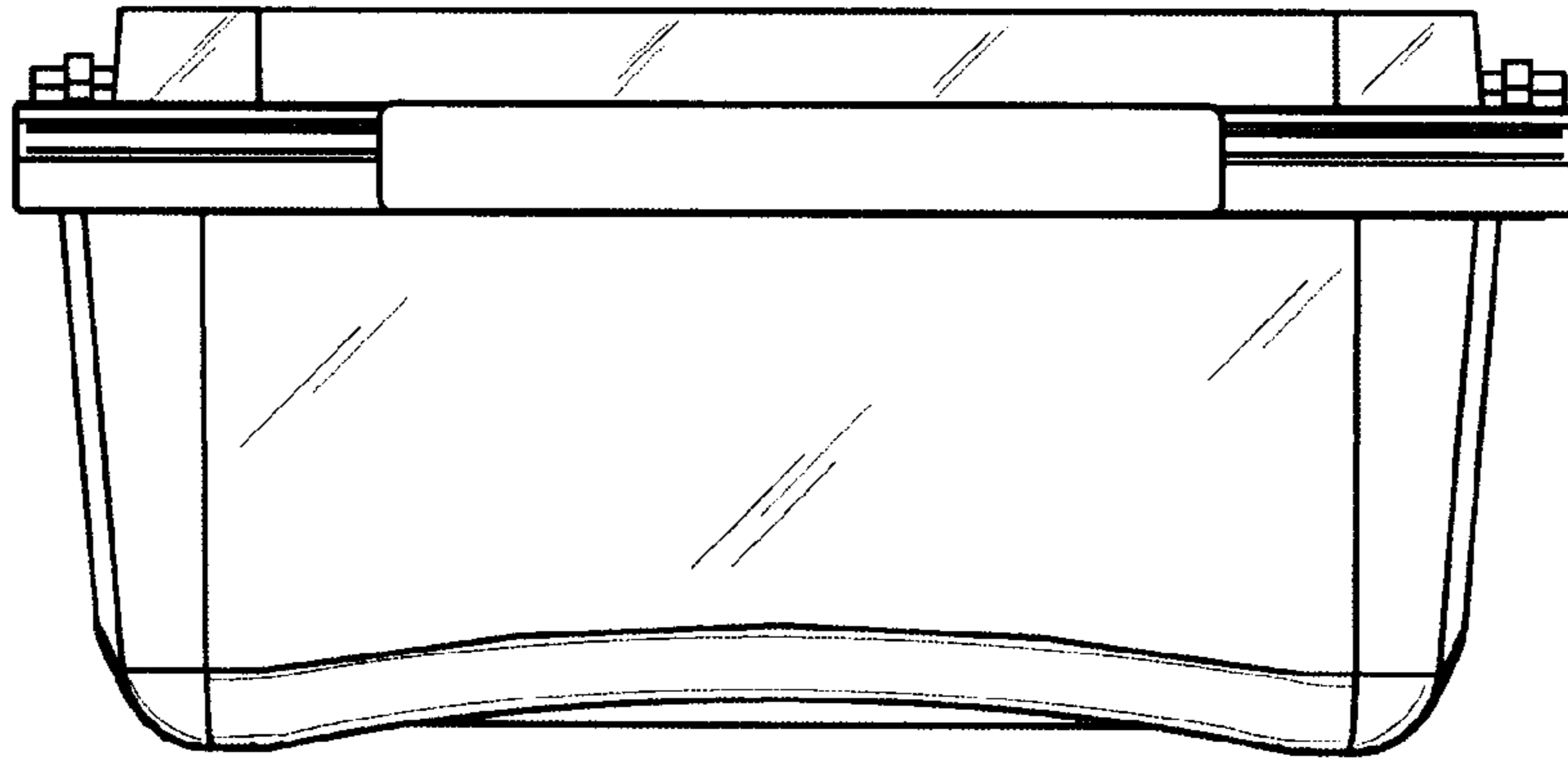


FIG. 5

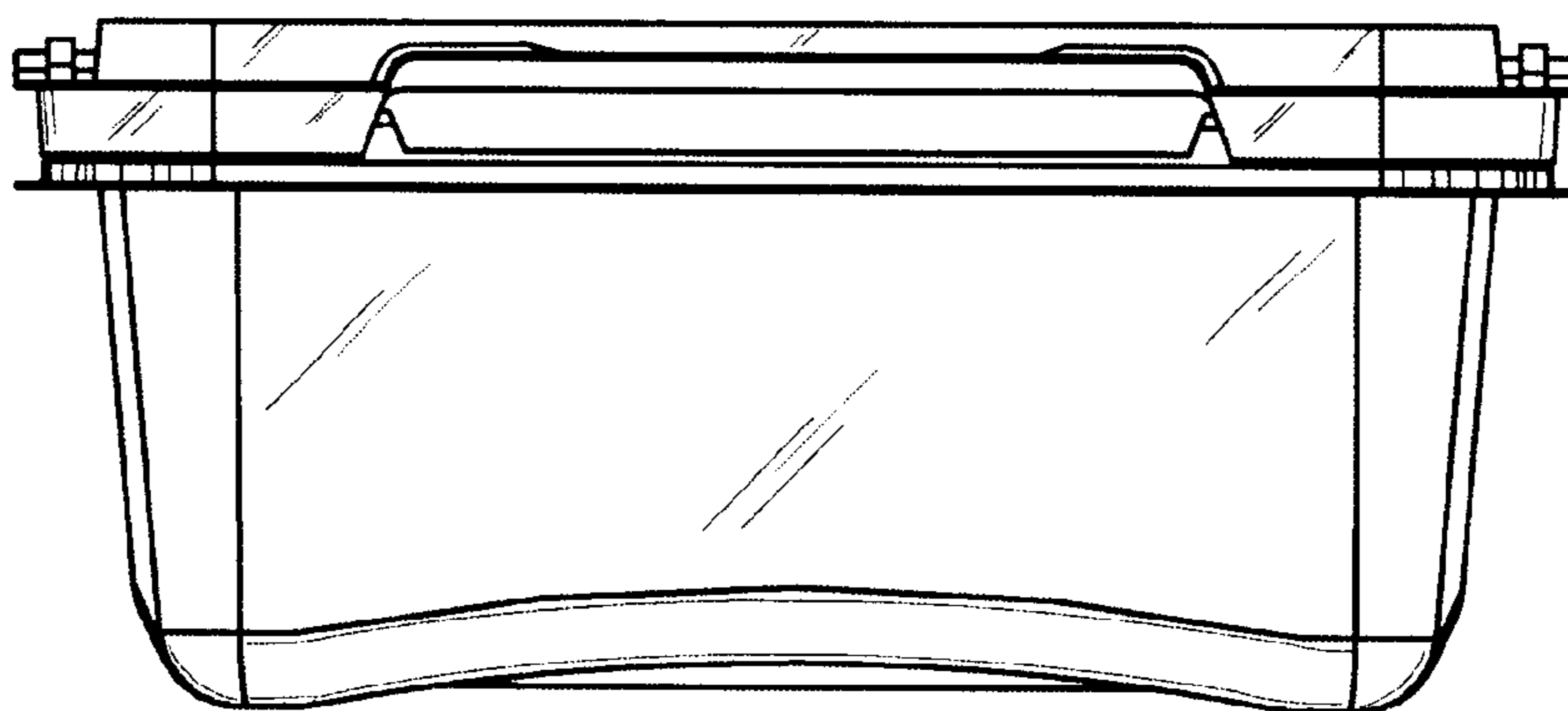


FIG. 6

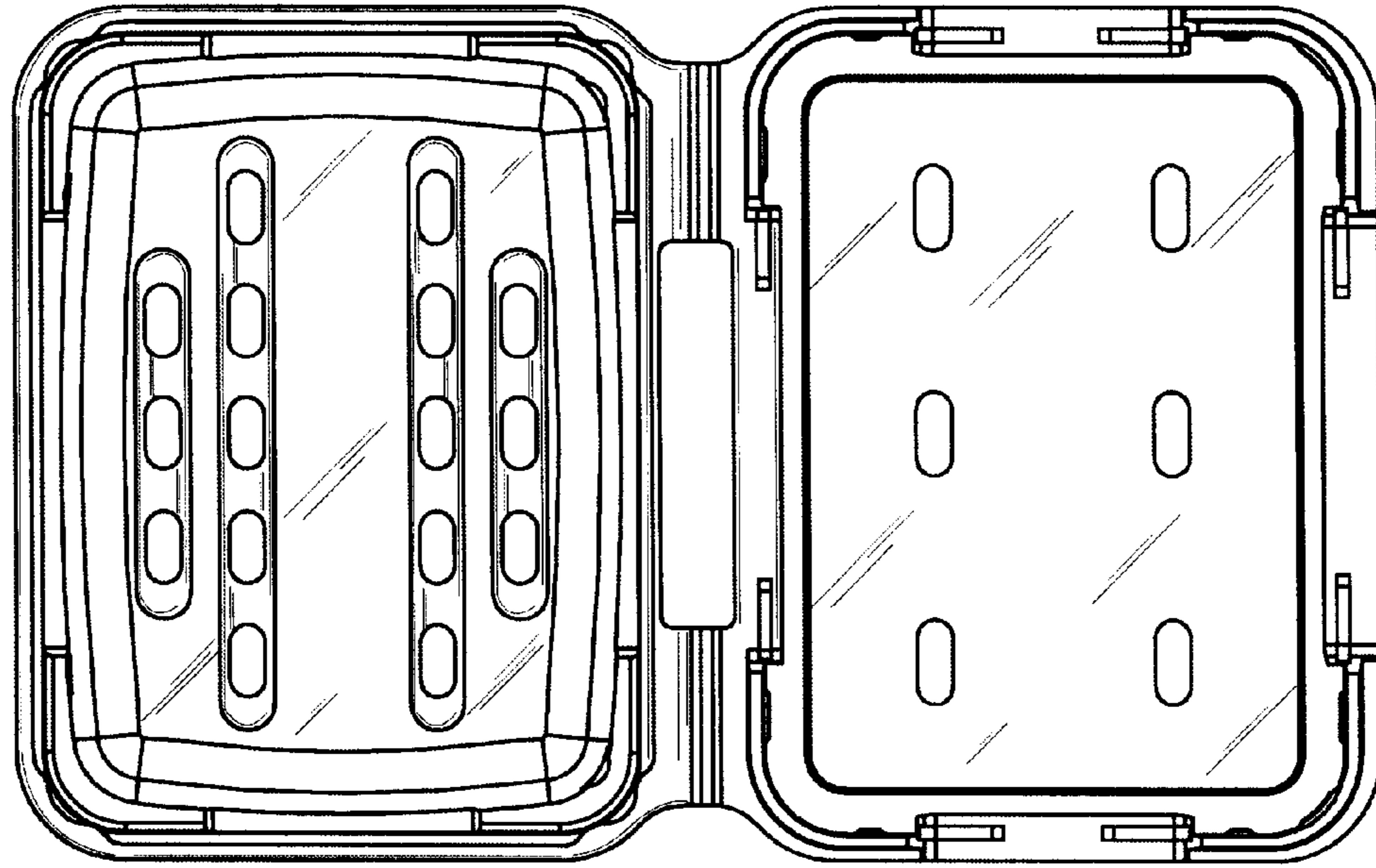


FIG. 7

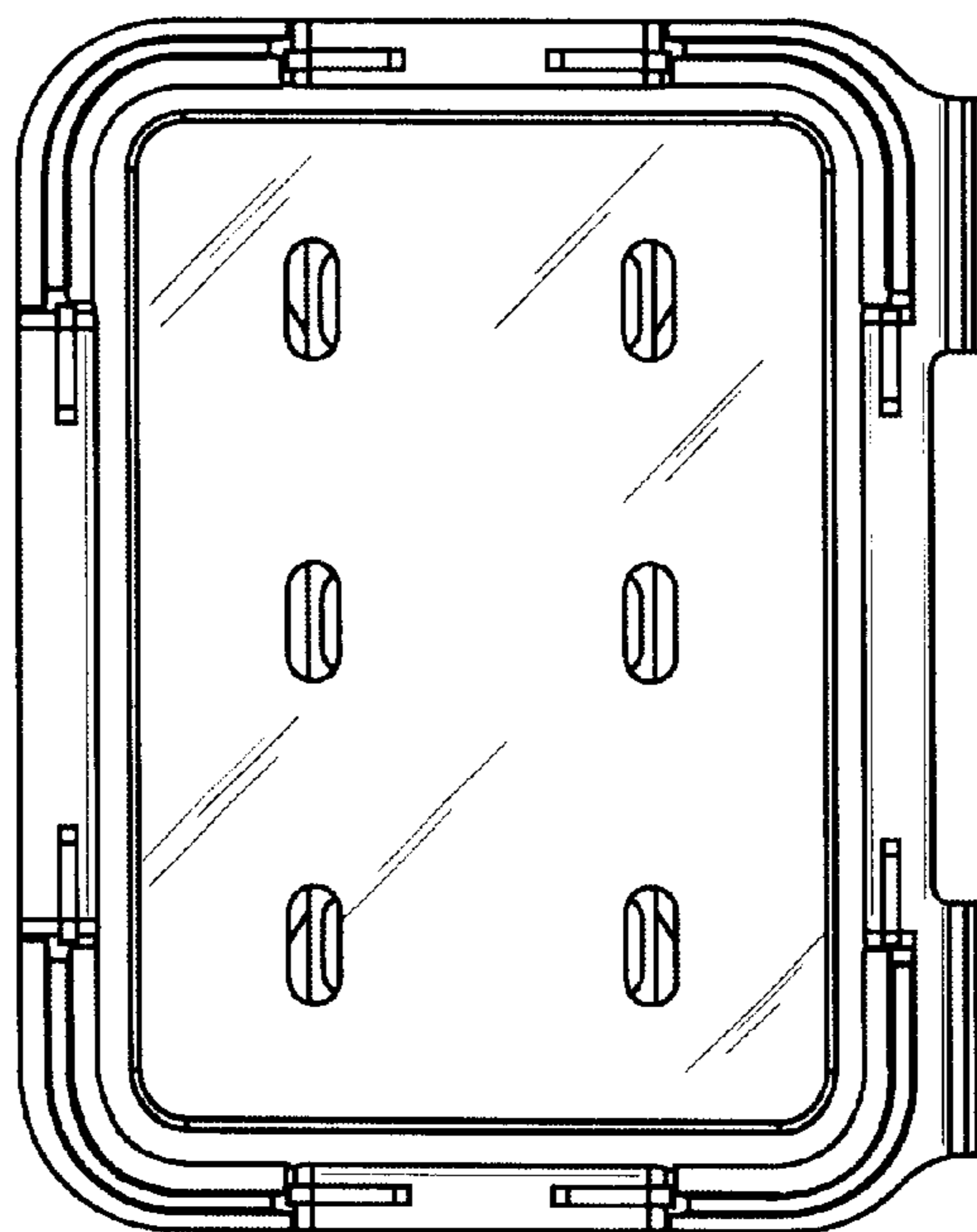


FIG. 8