



US00D483662S

(12) **United States Design Patent**
Castro Lopez

(10) **Patent No.:** **US D483,662 S**

(45) **Date of Patent:** **** Dec. 16, 2003**

(54) **SPRAY BOTTLE**

(75) **Inventor:** **Salvador Castro Lopez**, Barcelona
(ES)

(73) **Assignee:** **Hofmann Marketing, S.L.**, Barcelona
(ES)

(**) **Term:** **14 Years**

(21) **Appl. No.:** **29/175,147**

(22) **Filed:** **Jan. 30, 2003**

(51) **LOC (7) Cl.** **09-01**

(52) **U.S. Cl.** **D9/300**

(58) **Field of Search** D9/300, 520, 529,
D9/530, 542, 543, 558, 573, 574, 549;
222/153.13, 321.1, 321.2, 321.3, 382, 383.1,
384, 556; D28/85-87, 91.1

(56) **References Cited**

U.S. PATENT DOCUMENTS

D147,854 S * 11/1947 Katz D28/91.1

D440,866 S * 4/2001 Dailey et al. D9/300

D453,106 S * 1/2002 Peltrault D9/300

D469,684 S * 2/2003 Lerolle D9/300

D473,457 S * 4/2003 Reinoso D9/300

* cited by examiner

Primary Examiner—Paula A. Mortimer

(74) *Attorney, Agent, or Firm*—Michael J. Striker

(57) **CLAIM**

The ornamental design of a spray bottle, as shown and described.

DESCRIPTION

FIG. 1 is a perspective view of a spray bottle showing my new design;

FIG. 2 is a top view thereof;

FIG. 3 is a front view thereof;

FIG. 4 is a side view thereof which is a mirror image of the opposite side thereof;

FIG. 5 is a rear view thereof; and,

FIG. 6 is a bottom view thereof.

1 Claim, 3 Drawing Sheets

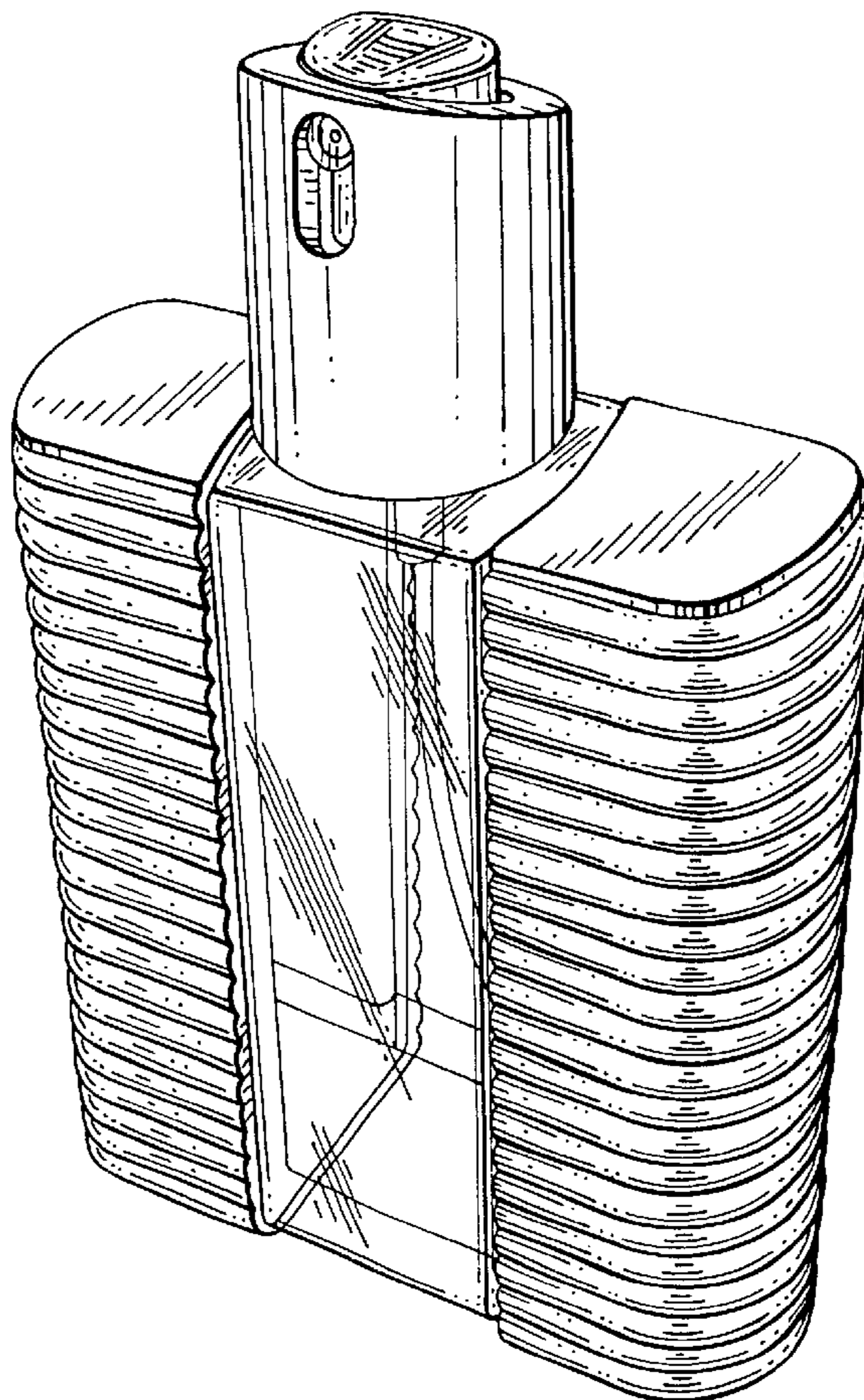


FIG. 1

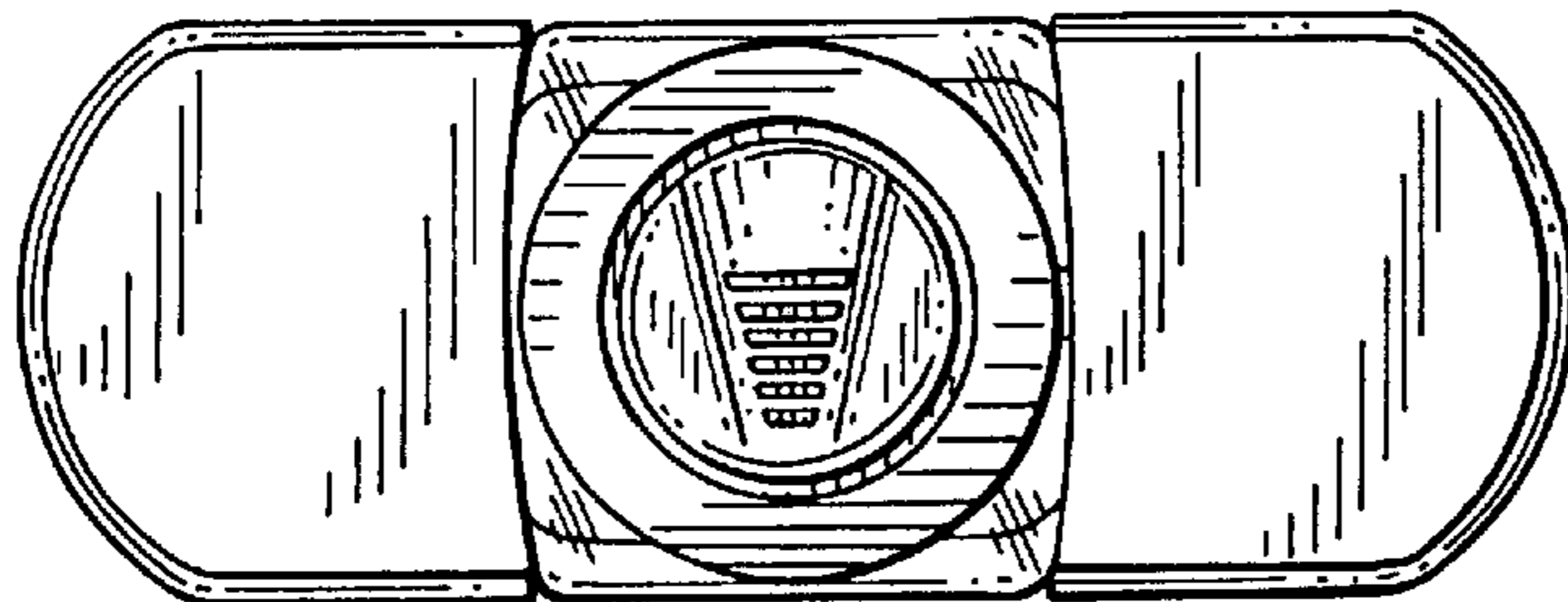
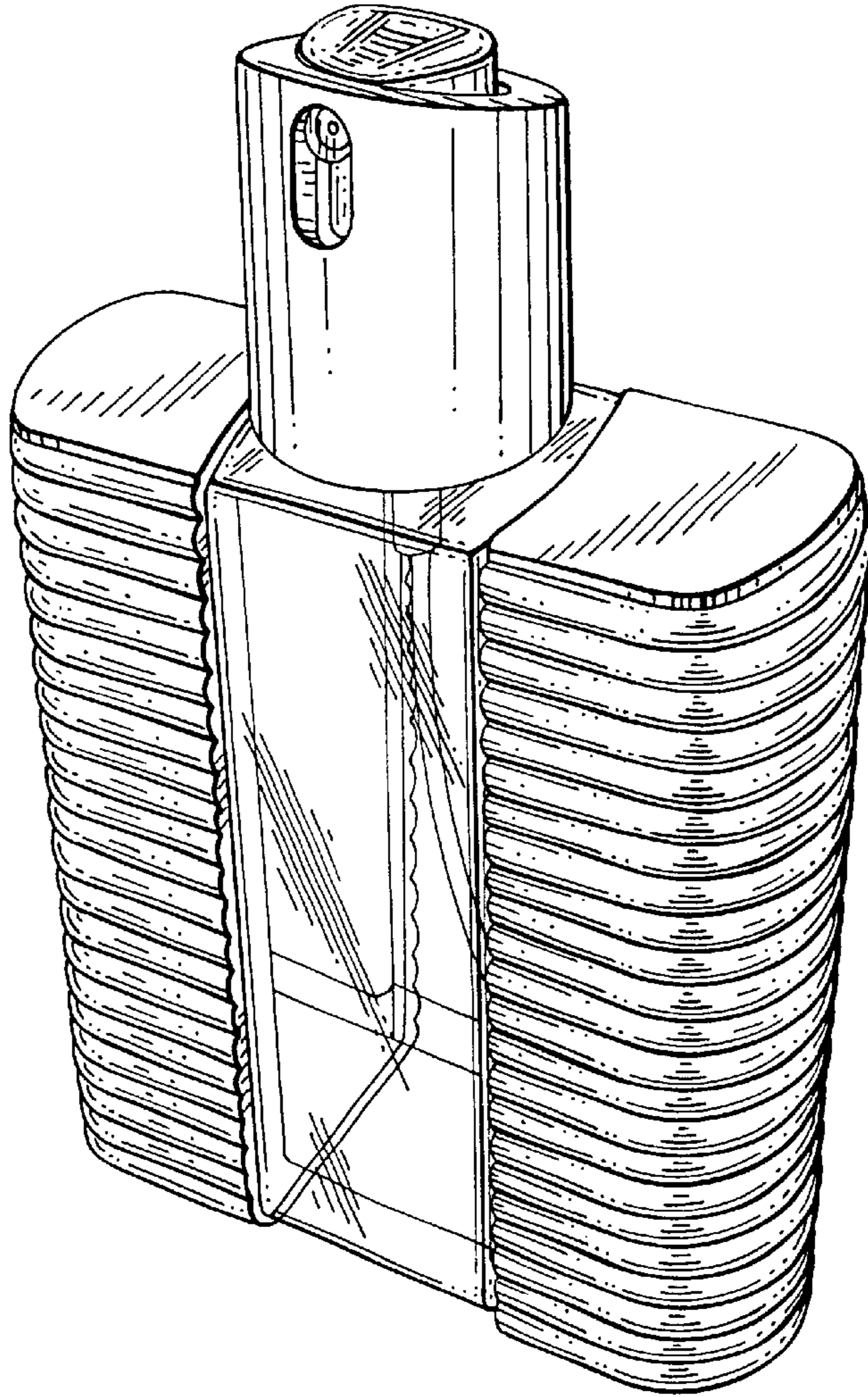


FIG. 2

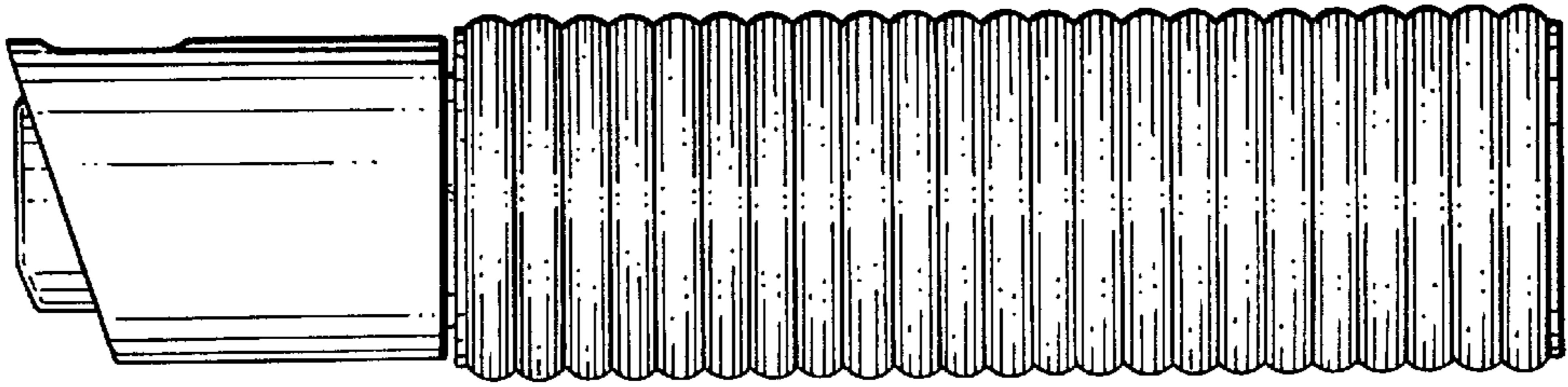


FIG. 4

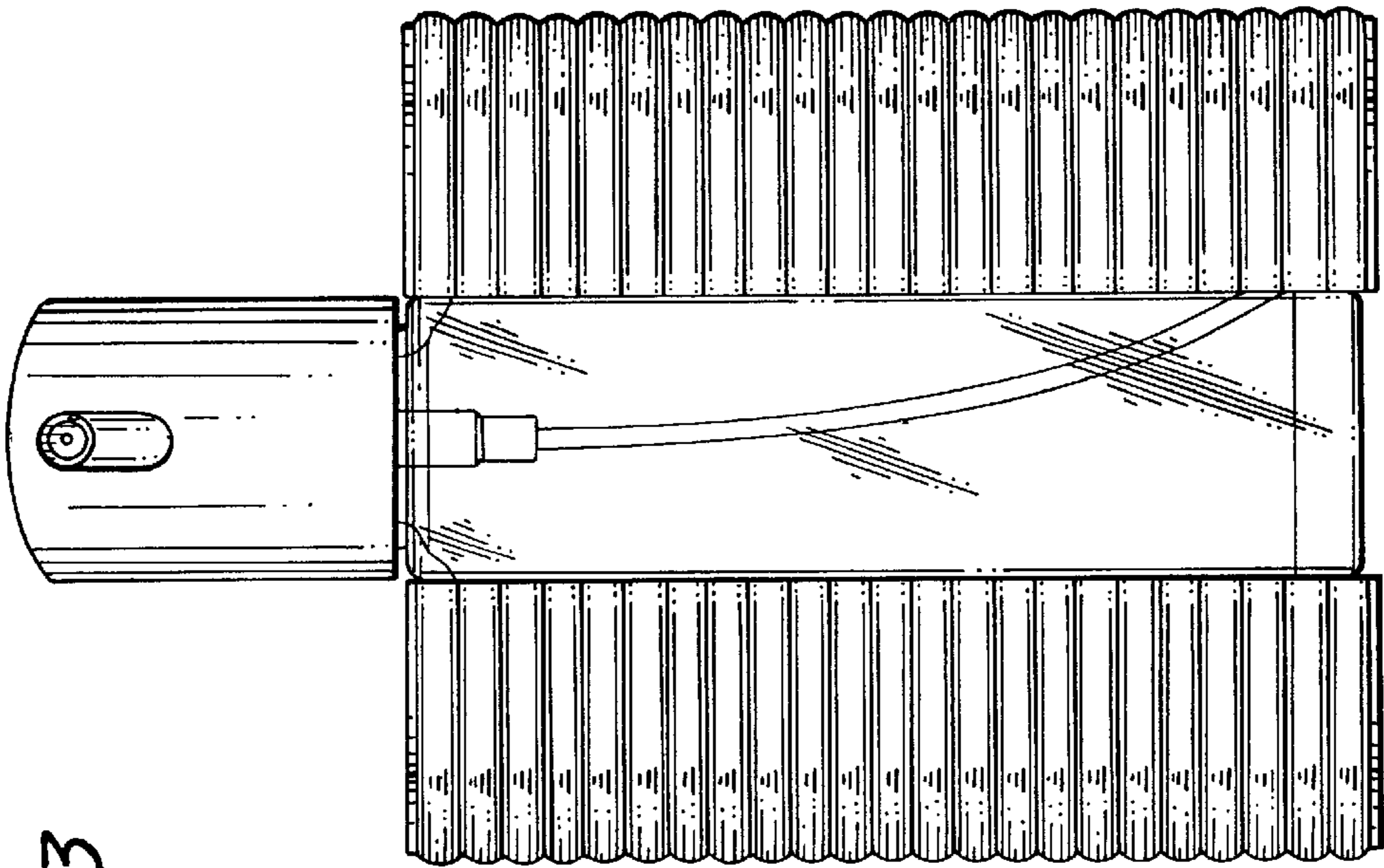


FIG. 3

FIG. 5

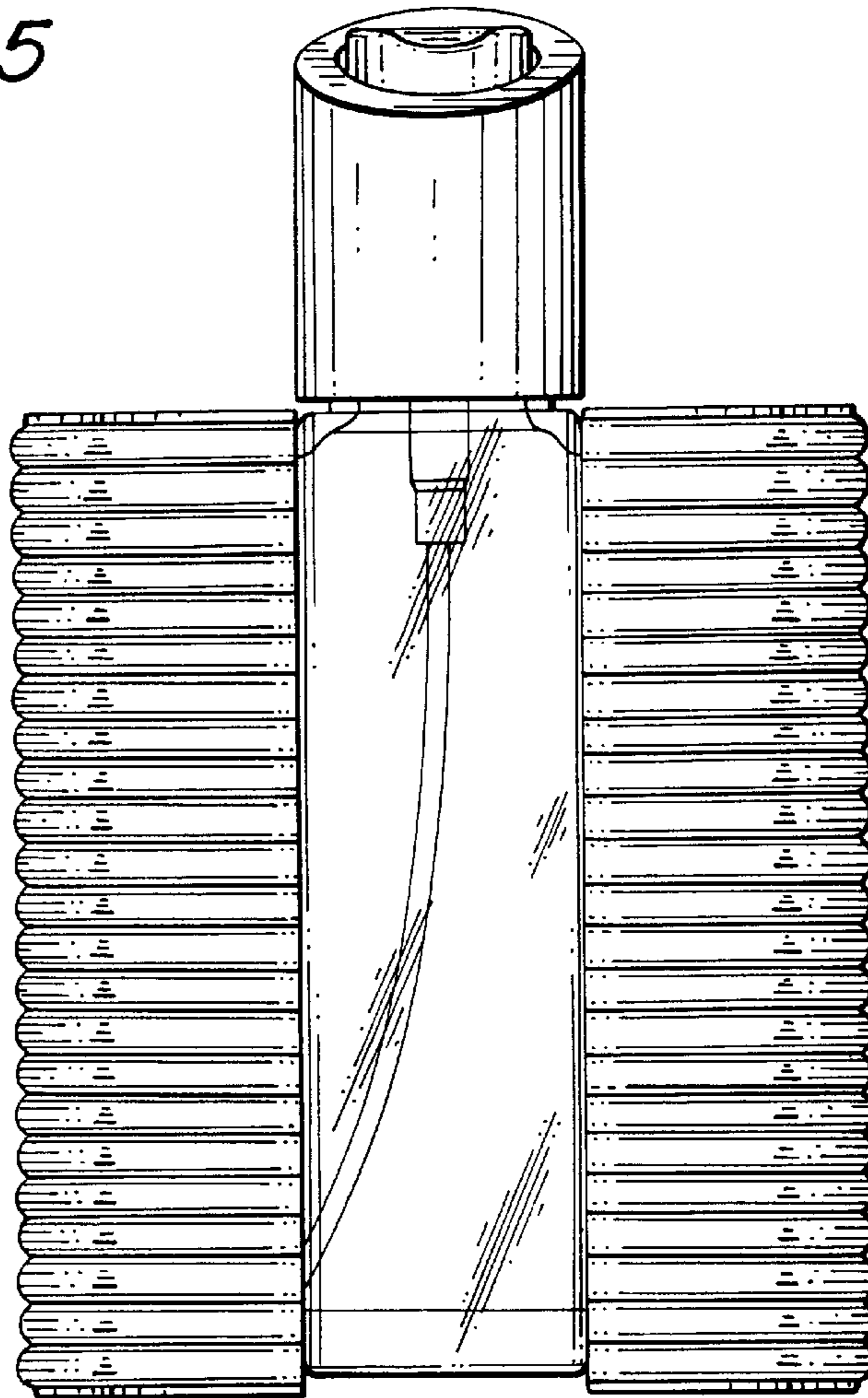


FIG. 6

