



US00D483661S

(12) **United States Design Patent**  
**French**

(10) **Patent No.:** **US D483,661 S**

(45) **Date of Patent:** **\*\* Dec. 16, 2003**

(54) **FURNITURE STOP**

(76) Inventor: **Jackie C. French**, Rural Route #6,  
Tillsonburg, Ontario B8 (CA), N4G  
4G9

(\*\*) Term: **14 Years**

(21) Appl. No.: **29/174,882**

(22) Filed: **Jan. 28, 2003**

(51) **LOC (7) Cl.** ..... **08-07**

(52) **U.S. Cl.** ..... **D8/402**

(58) **Field of Search** ..... D8/400, 402, 354,  
D8/353; 248/345.1, 298.1, 351, 354.1, 357

(56) **References Cited**

**U.S. PATENT DOCUMENTS**

1,158,350 A \* 10/1915 White ..... 248/345.1  
D257,761 S \* 1/1981 Abel ..... D8/402

D336,424 S \* 6/1993 Barber ..... D8/402  
D387,659 S \* 12/1997 Harrick et al. .... D8/402  
D453,470 S \* 2/2002 Prasad ..... D8/402

\* cited by examiner

*Primary Examiner*—Brian N. Vinson

(57) **CLAIM**

The ornamental design for a furniture stop, as shown and described.

**DESCRIPTION**

FIG. 1 is a front elevated view of a furniture stop showing my new design.

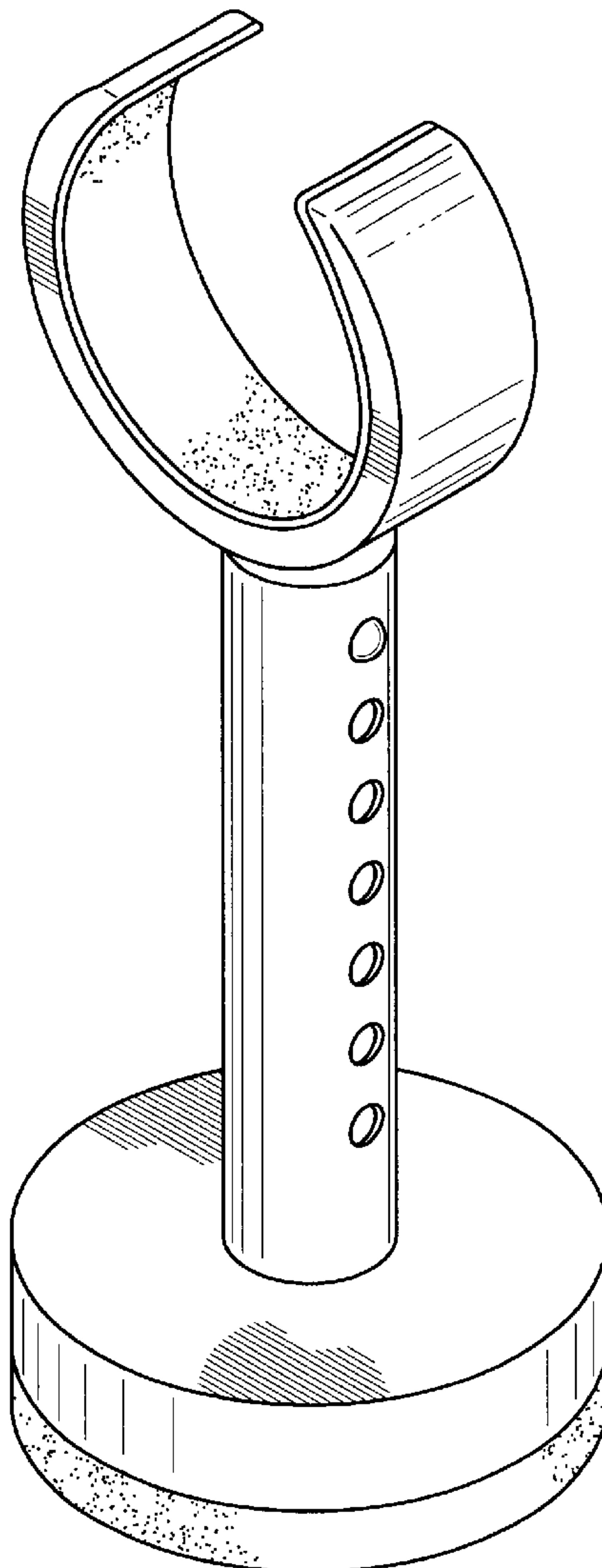
FIG. 2 is a top plan view of the furniture stop.

FIG. 3 is a bottom plan view of the furniture stop.

FIG. 4 is a side elevated view of the furniture stop; and,

FIG. 5 is a perspective view of the furniture stop.

**1 Claim, 5 Drawing Sheets**



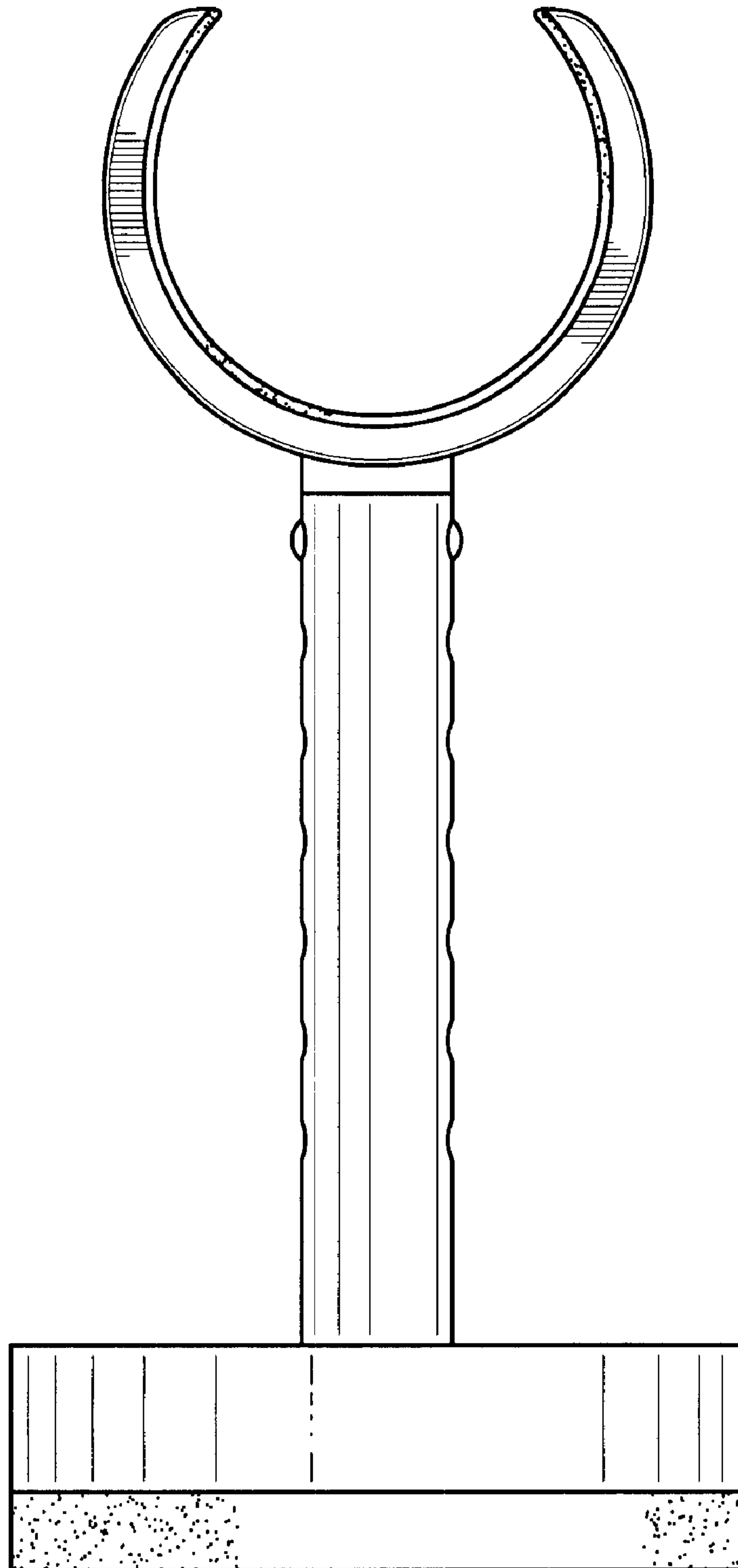
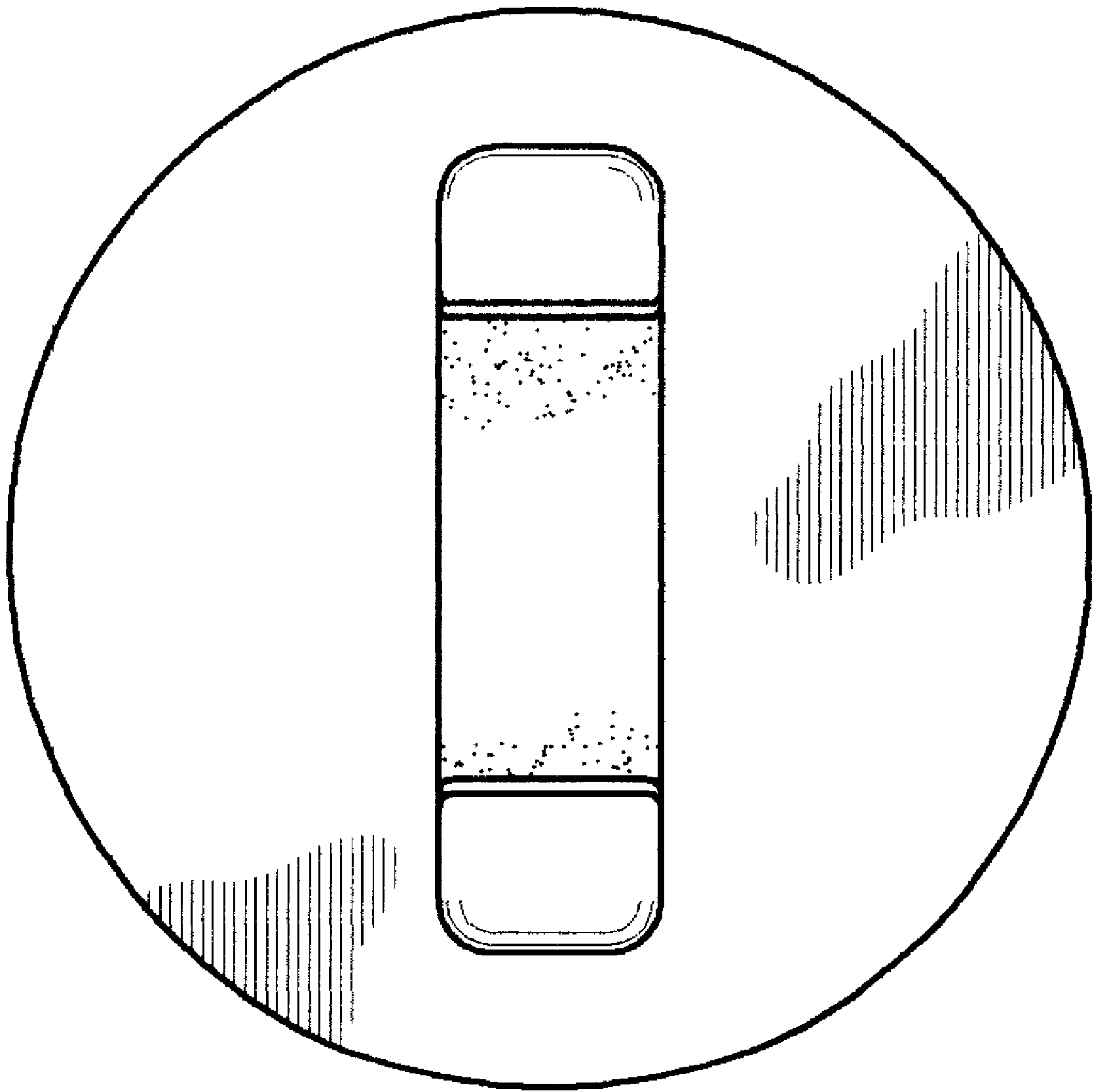
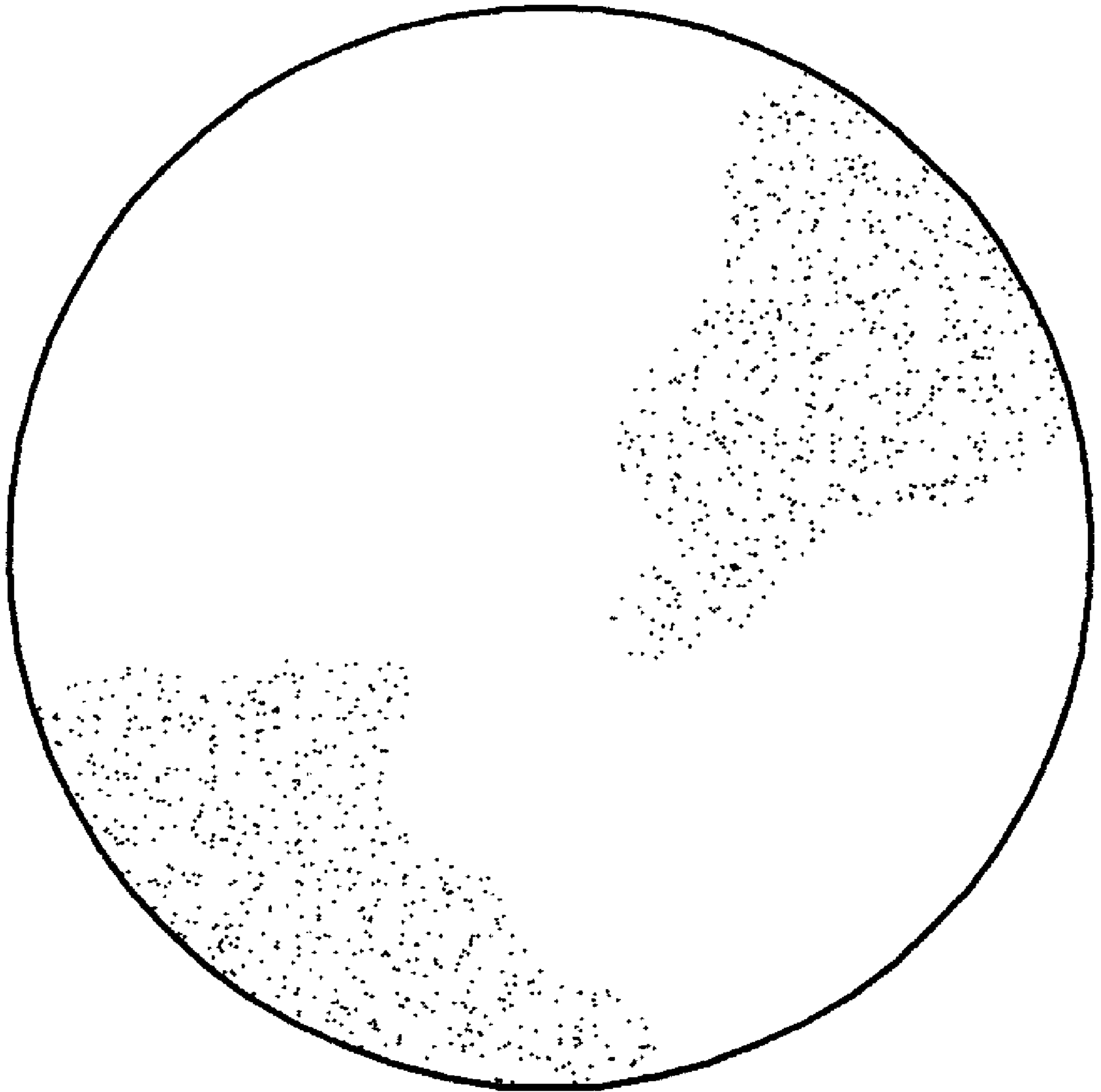


FIG. 1



**FIG.2**



**FIG.3**

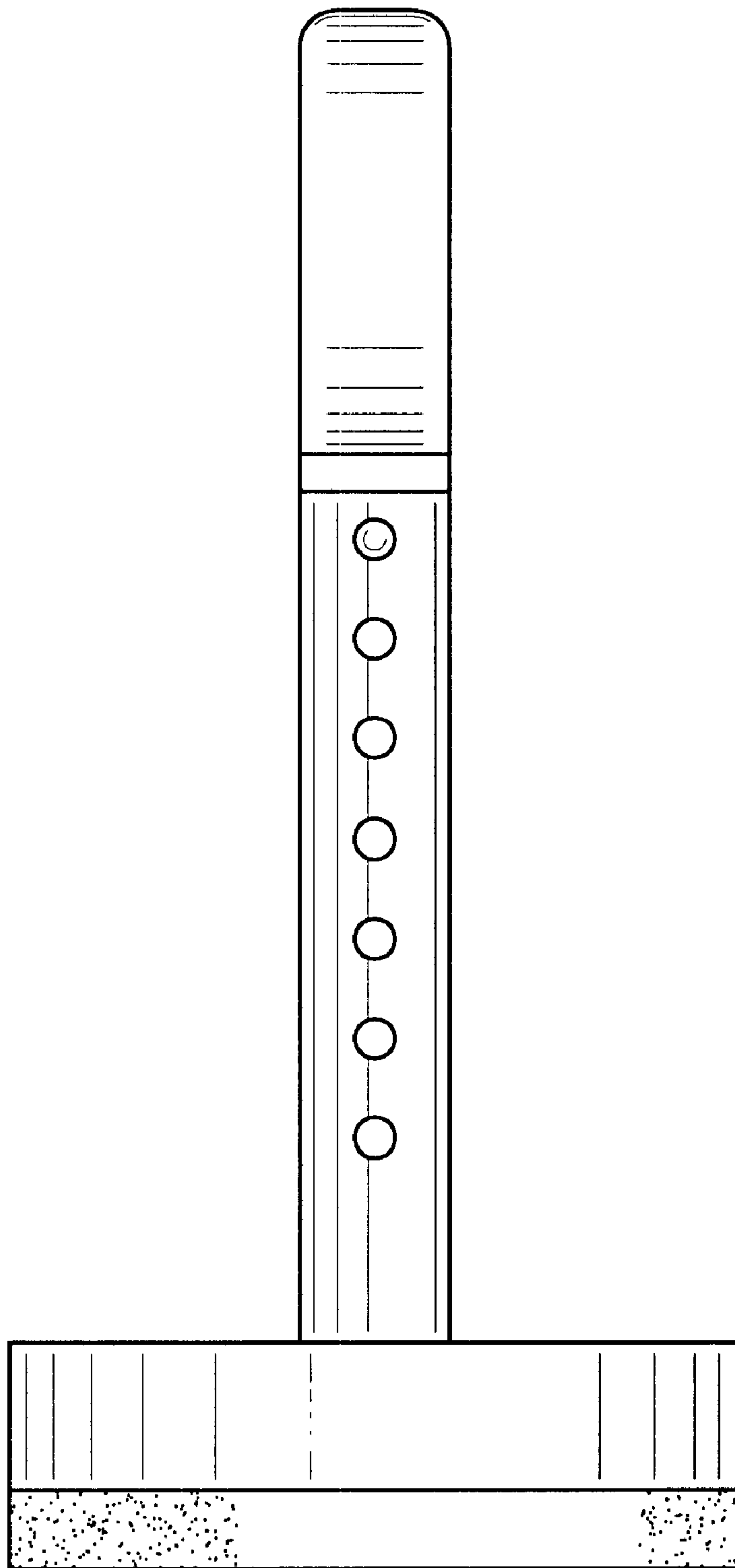


FIG.4

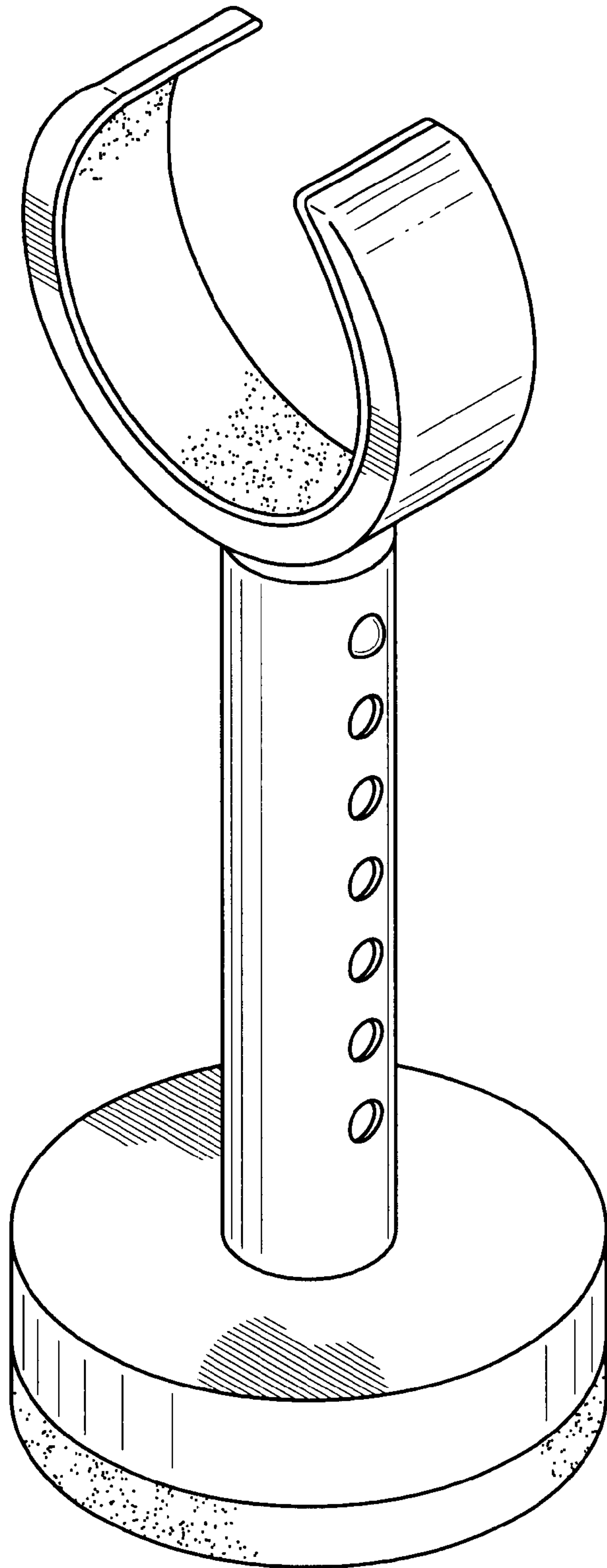


FIG.5