



US00D483660S

(12) **United States Design Patent**
Cheng

(10) **Patent No.:** **US D483,660 S**

(45) **Date of Patent:** **** Dec. 16, 2003**

(54) **SAFETY WASHER**

(75) **Inventor:** **Chun Chor Cheng, Kwai Chung (CN)**

(73) **Assignee:** **Wing Sun Metal Products Ltd., Hong Kong (CN)**

(**) **Term:** **14 Years**

(21) **Appl. No.:** **29/167,405**

(22) **Filed:** **Sep. 13, 2002**

(51) **LOC (7) Cl.** **08-08**

(52) **U.S. Cl.** **D8/399**

(58) **Field of Search** D8/382, 397, 399;
411/81, 98, 103, 106, 145, 146, 172, 179,
197, 204, 248, 337, 338, 368, 371.2, 372.5,
418, 427, 429, 430, 431, 432, 436, 437,
500, 511, 512, 514, 531, 532, 533, 535,
536, 537, 538, 542, 544, 918, 928; 70/229;
301/35.623, 111.01

(56) **References Cited**

U.S. PATENT DOCUMENTS

3,422,721 A * 1/1969 Yonkers 411/537
3,588,133 A * 6/1971 Caserta 411/542
3,606,357 A * 9/1971 Yonkers 411/542

D269,852 S * 7/1983 Frieberg D8/399
4,788,807 A * 12/1988 Whitman 411/531
5,082,412 A * 1/1992 Thomas 411/368
5,199,838 A * 4/1993 Luke et al. D8/397
5,904,459 A * 5/1999 Prathap et al. 411/437
D427,549 S * 7/2000 White D8/399
6,422,796 B1 * 7/2002 Tomaini 411/533

* cited by examiner

Primary Examiner—Doris V. Coles

Assistant Examiner—T. Chase Nelson

(74) *Attorney, Agent, or Firm*—Alix, Yale & Ristas, LLP

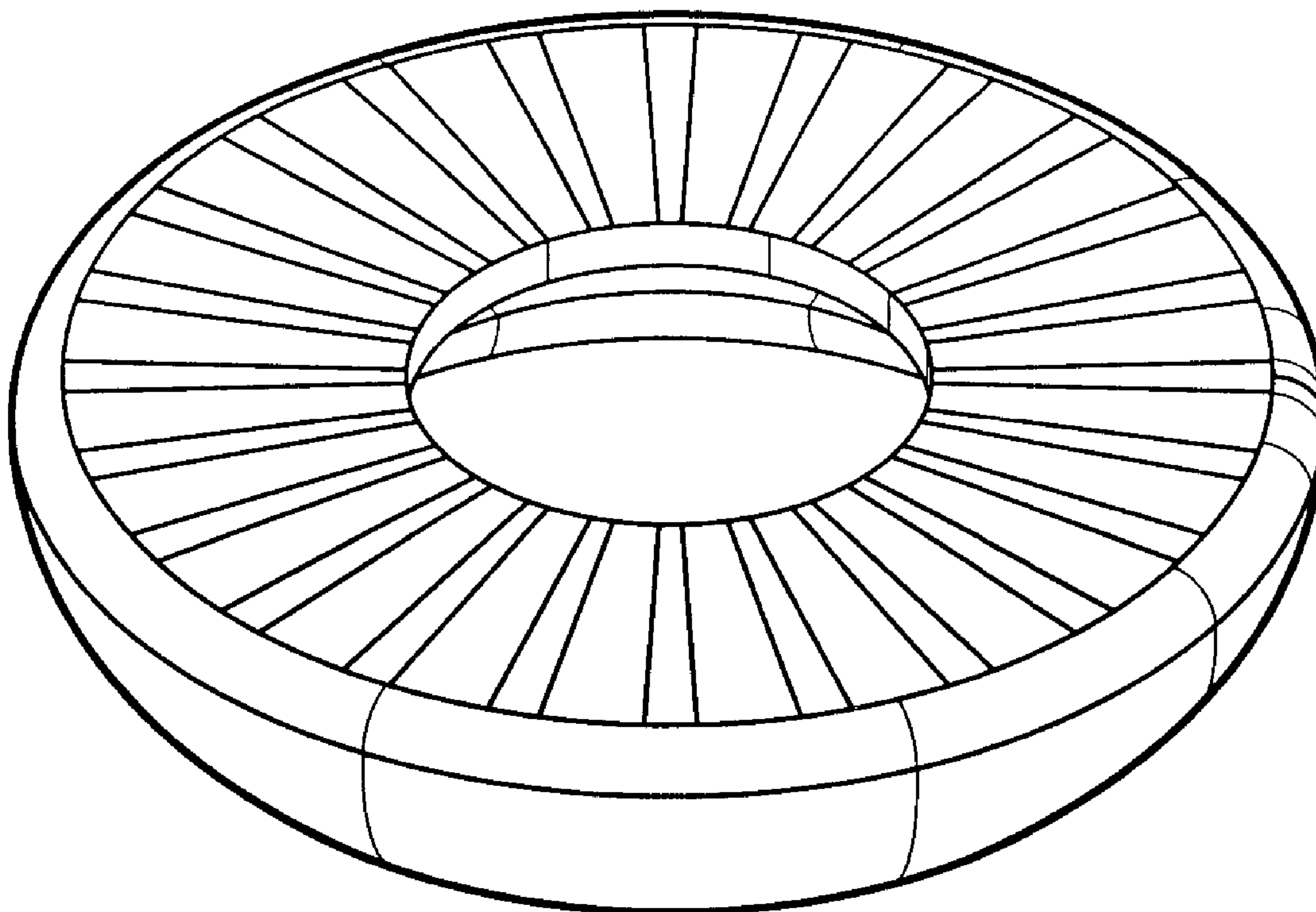
(57) **CLAIM**

The ornamental design for a safety washer, as shown and described.

DESCRIPTION

FIG. 1 is a front perspective view of the safety washer showing my new design;
FIG. 2 is a front view of the safety washer of FIG. 1, the opposite rear view being identical;
FIG. 3 is a left side view of the safety washer of FIG. 1, the opposite right side view being identical;
FIG. 4 is a top plan view of the safety washer of FIG. 1; and,
FIG. 5 is a bottom plan view of the safety washer of FIG. 1.

1 Claim, 3 Drawing Sheets



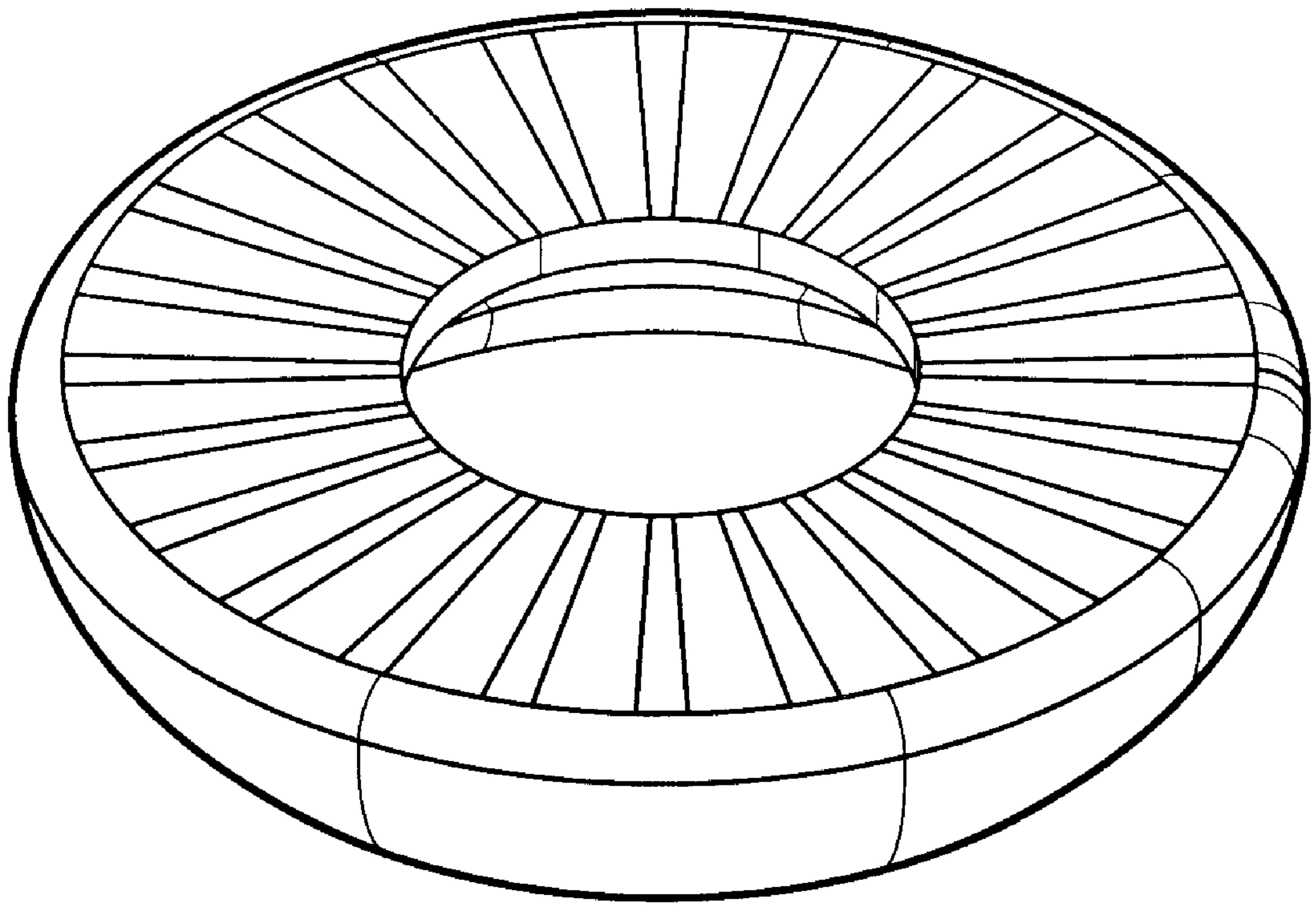


FIG. 1

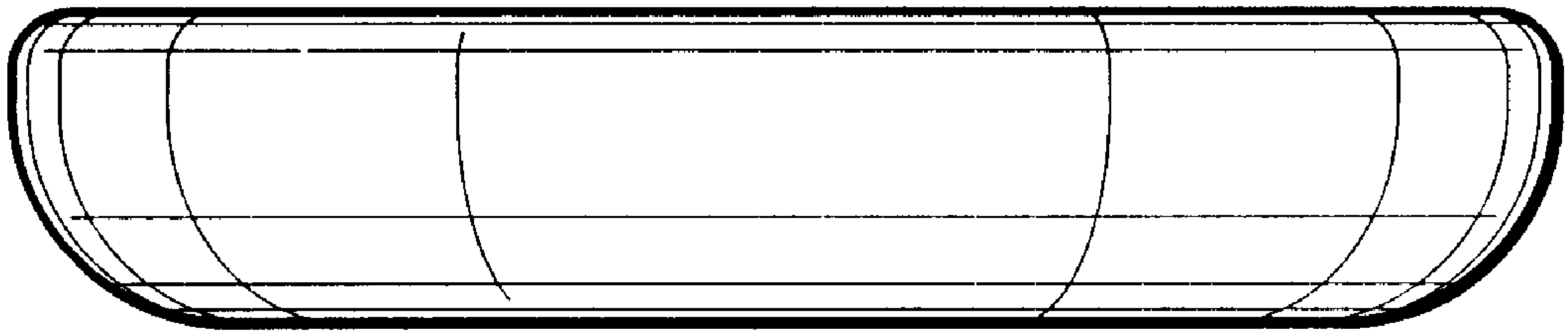


FIG. 2

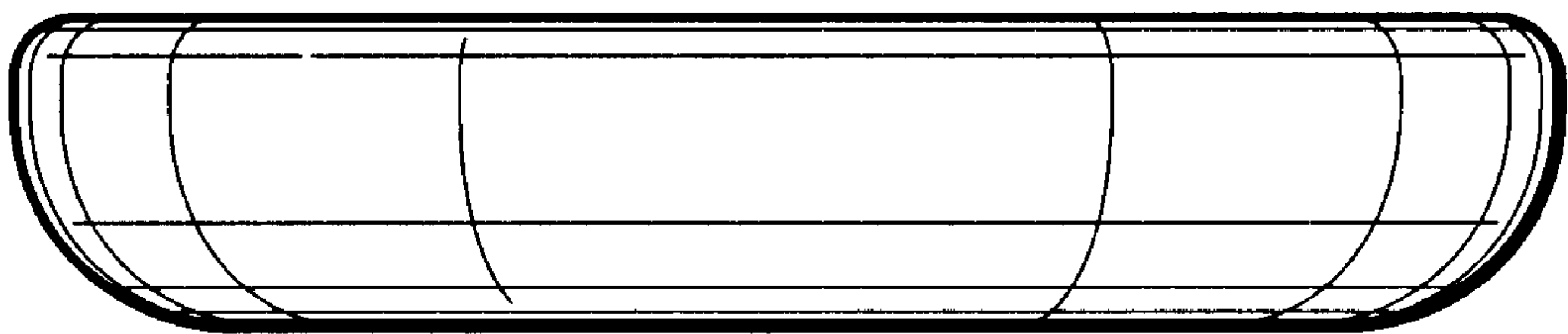


FIG. 3

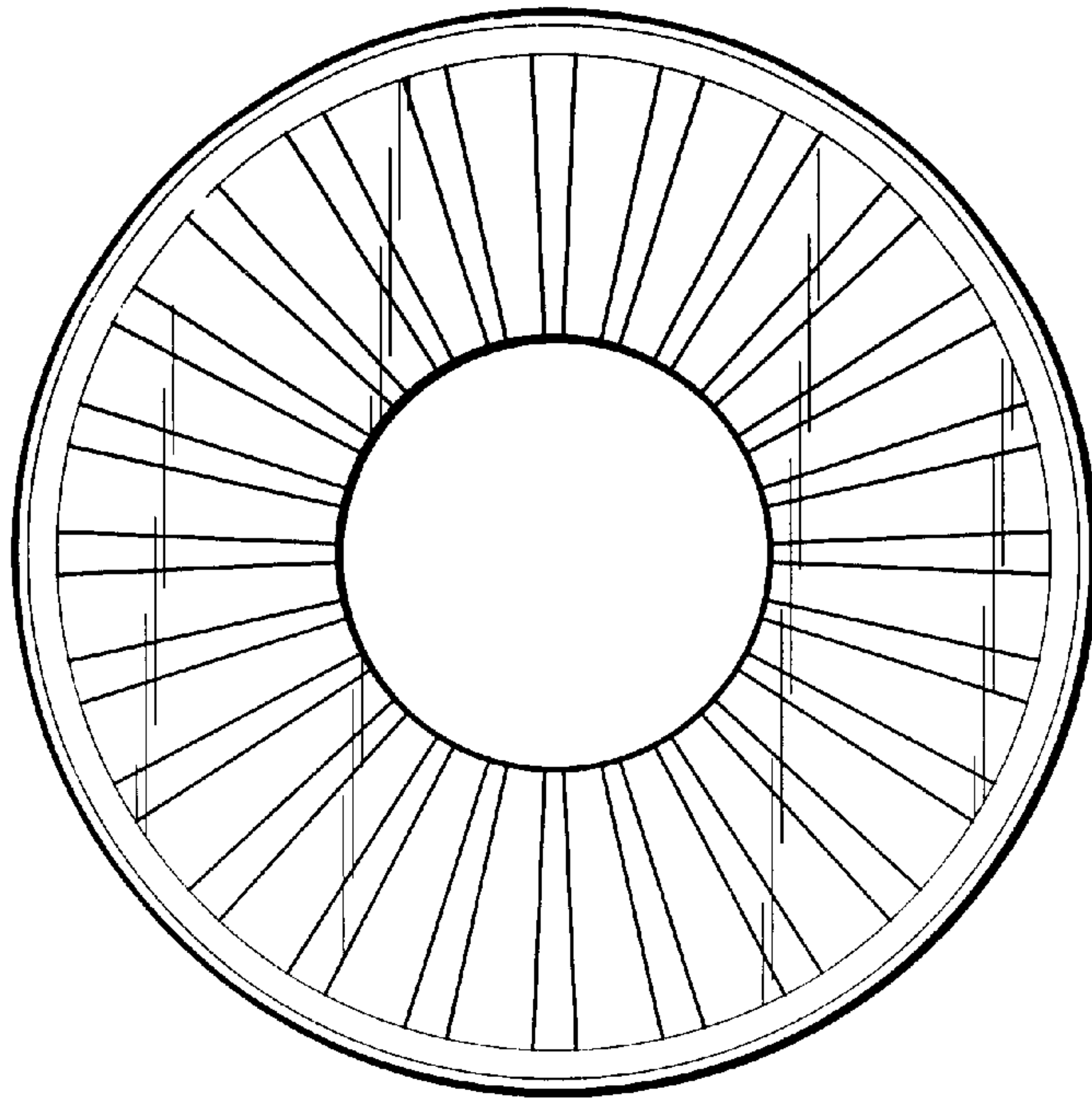


FIG. 4

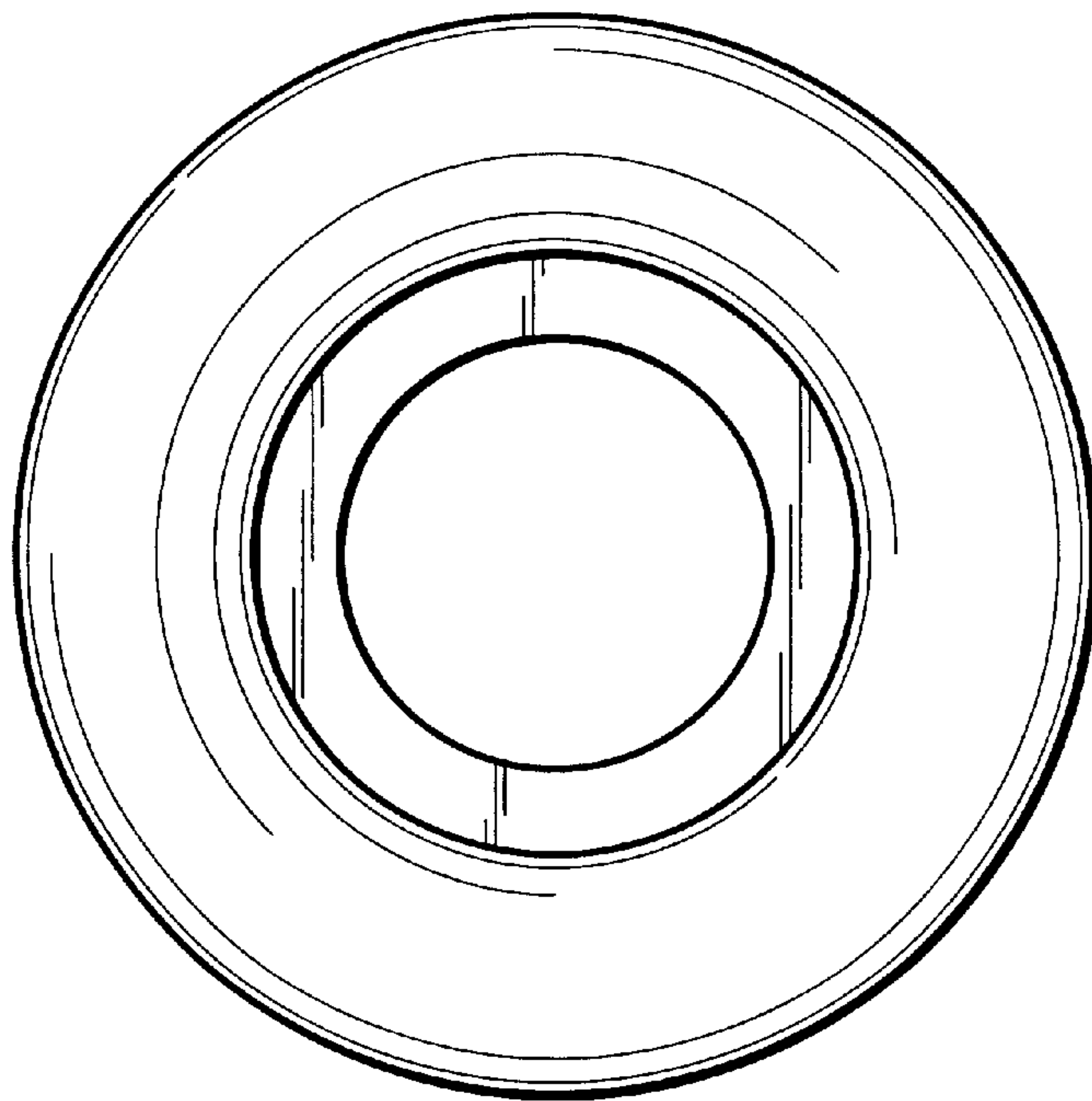


FIG. 5