



US00D483658S

(12) **United States Design Patent**
Huang

(10) **Patent No.:** **US D483,658 S**

(45) **Date of Patent:** **** Dec. 16, 2003**

(54) **COUPLER FOR FLOAT MEMBERS**

Primary Examiner—Holly Baynham

(76) **Inventor:** **Shih Ming Huang**, P.O. Box 63-99,
Taichung (TW), 406

(57) **CLAIM**

(**) **Term:** **14 Years**

The ornamental design for a coupler for float members, as shown and described.

(21) **Appl. No.:** **29/178,820**

DESCRIPTION

(22) **Filed:** **Mar. 29, 2003**

(51) **LOC (7) Cl.** **08-08**

FIG. 1 is an upper perspective view of a coupler for float members showing my new design;

(52) **U.S. Cl.** **D8/382**

FIG. 2 is a front elevational view thereof;

(58) **Field of Search** D8/382; 24/129 R,
24/16 PB, 16 R; 403/205, 218

FIG. 3 is a rear elevational view thereof;

FIG. 4 is a top plan view thereof;

FIG. 5 is a bottom plan view thereof;

(56) **References Cited**

U.S. PATENT DOCUMENTS

3,682,504 A *	8/1972	Brimberg	403/23
D228,231 S *	8/1973	Tichy	D8/382
D264,294 S *	5/1982	Schulze	D6/491
5,666,899 A *	9/1997	Andersen	114/297

FIG. 6 is a left side elevational view thereof;

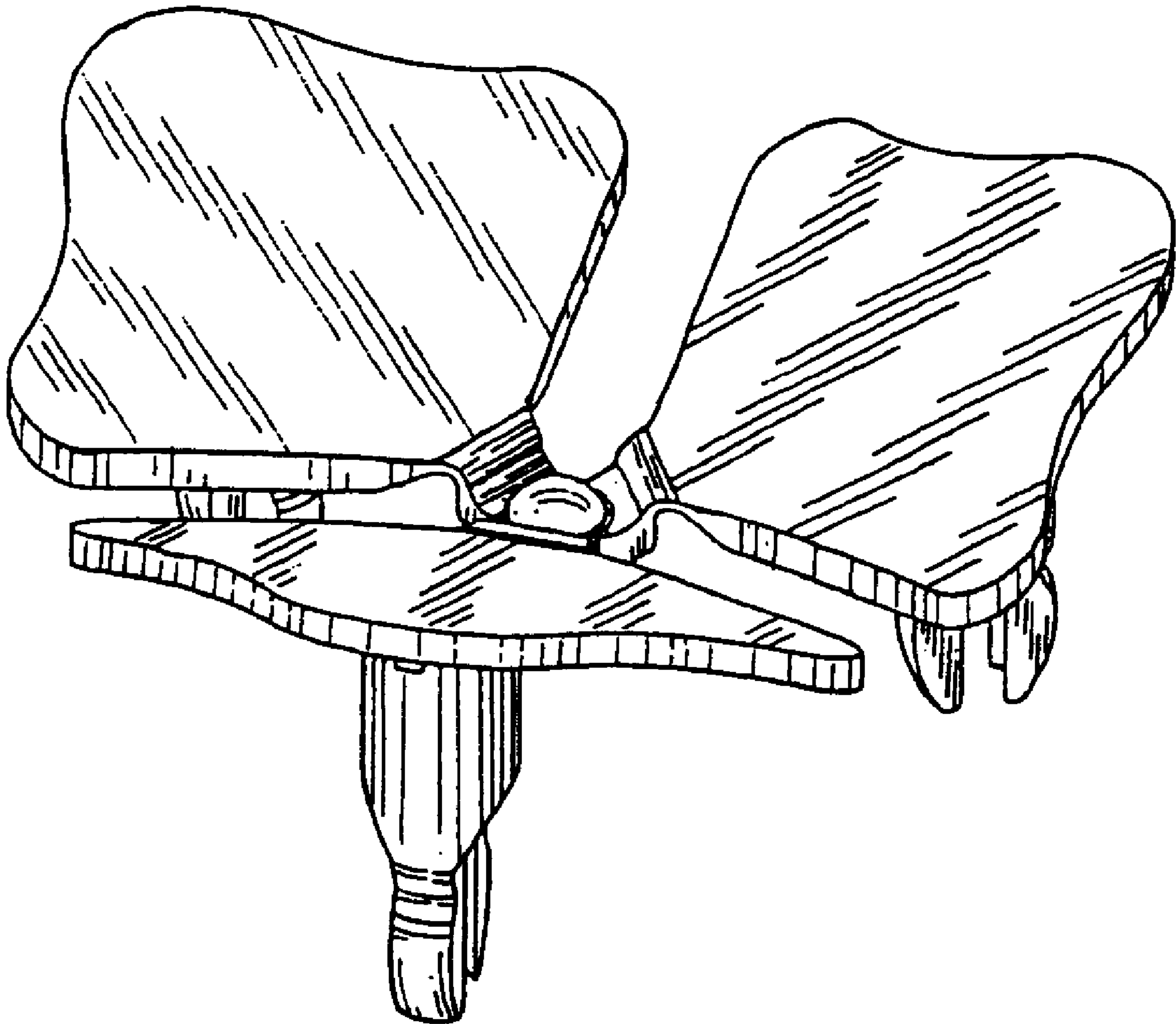
FIG. 7 is a right side elevational view thereof;

FIG. 8 is a bottom perspective view thereof; and,

FIG. 9 is a top plan view thereof, the float members depicted by means of broken lines being for illustrative purposes only and forming no part of the claimed design.

* cited by examiner

1 Claim, 4 Drawing Sheets



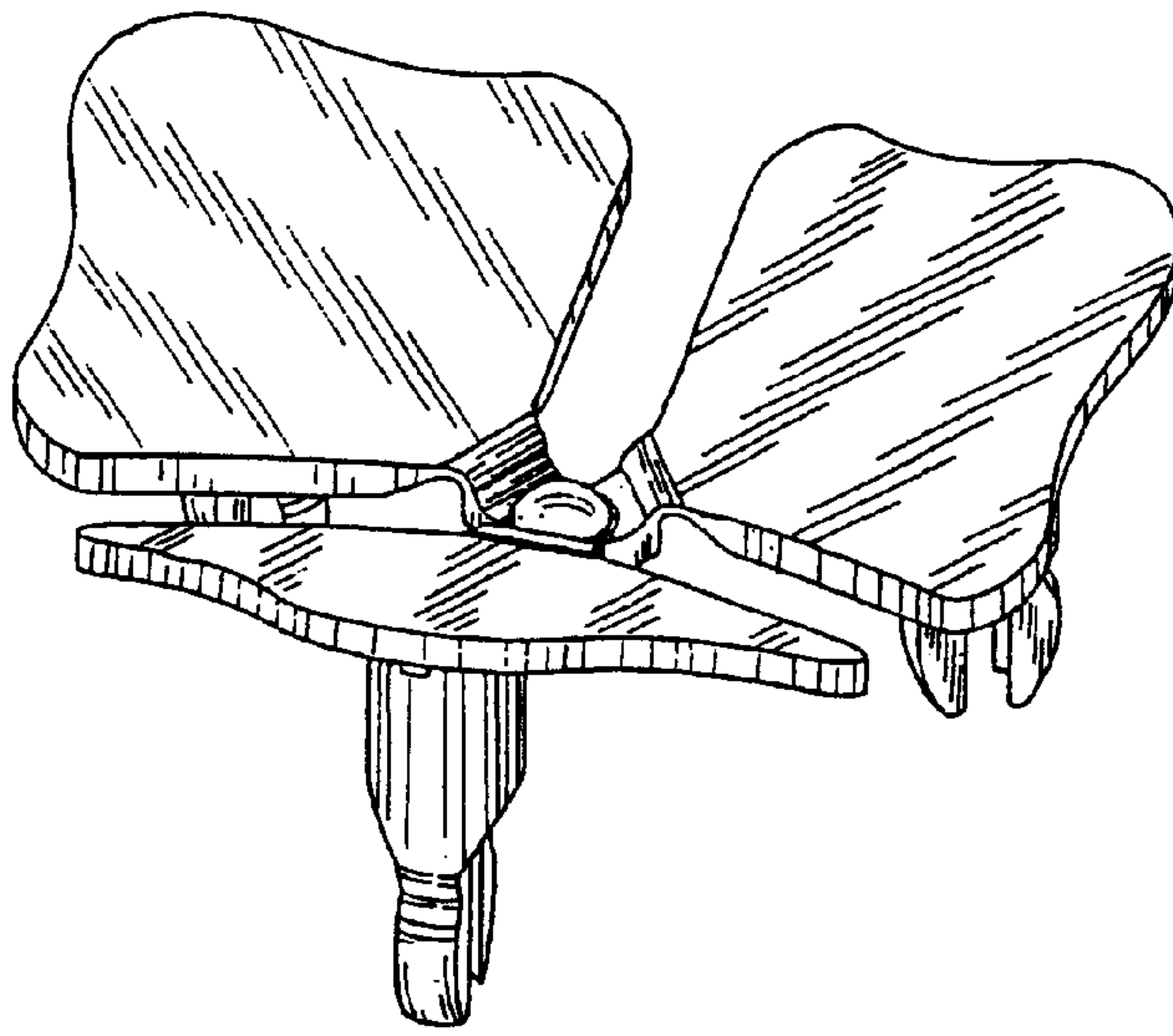


FIG. 1

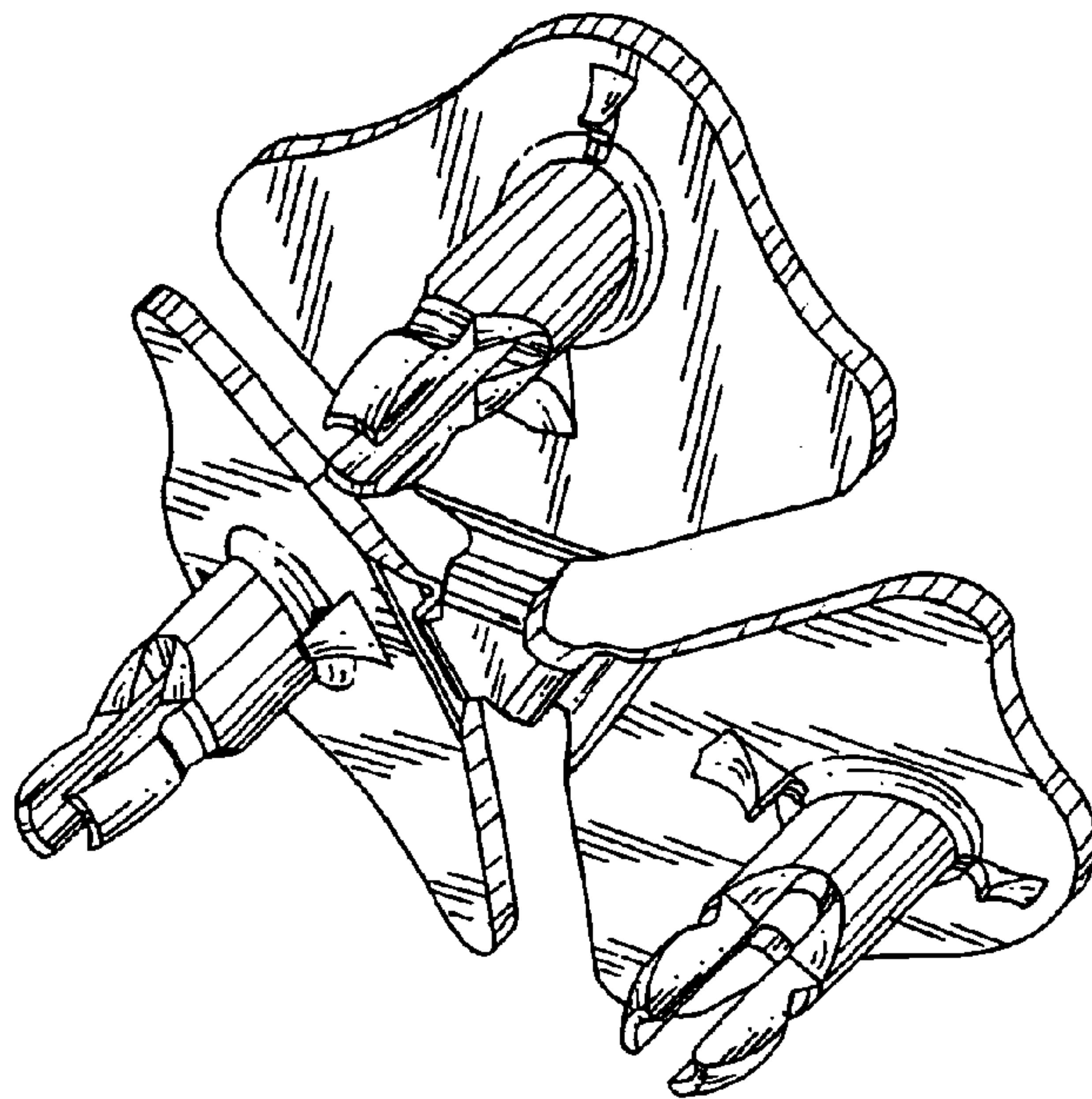


FIG. 8

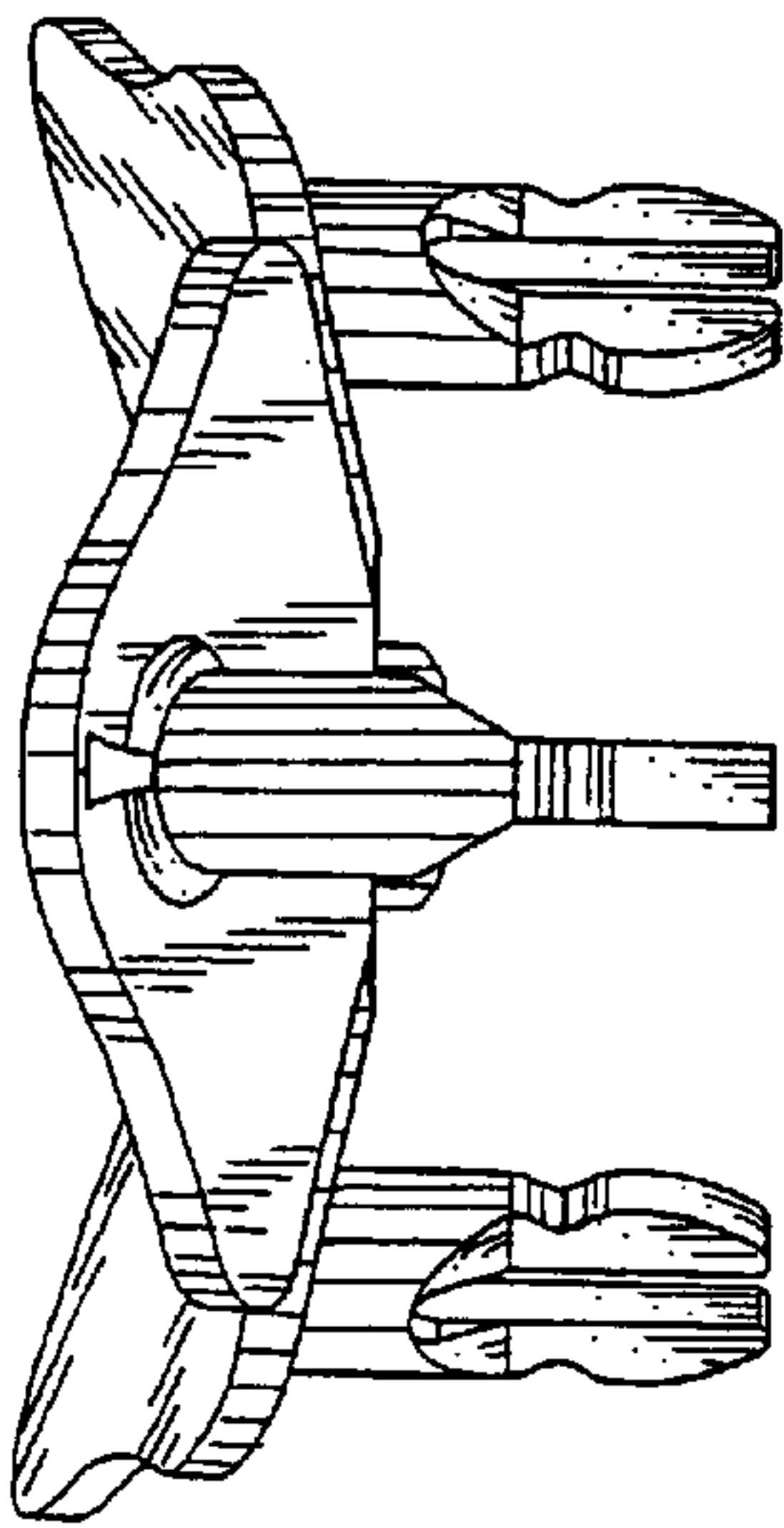


FIG. 2

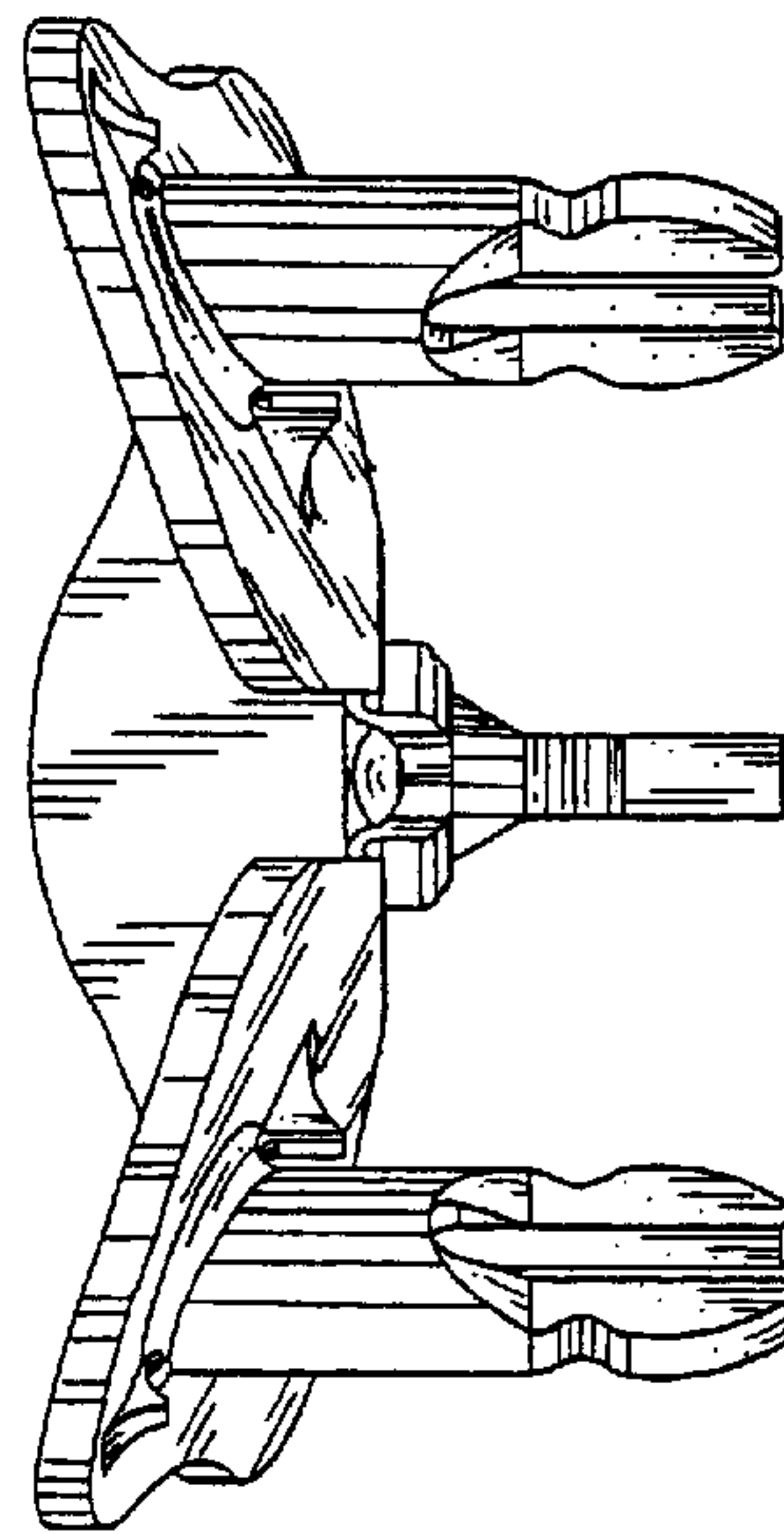


FIG. 3

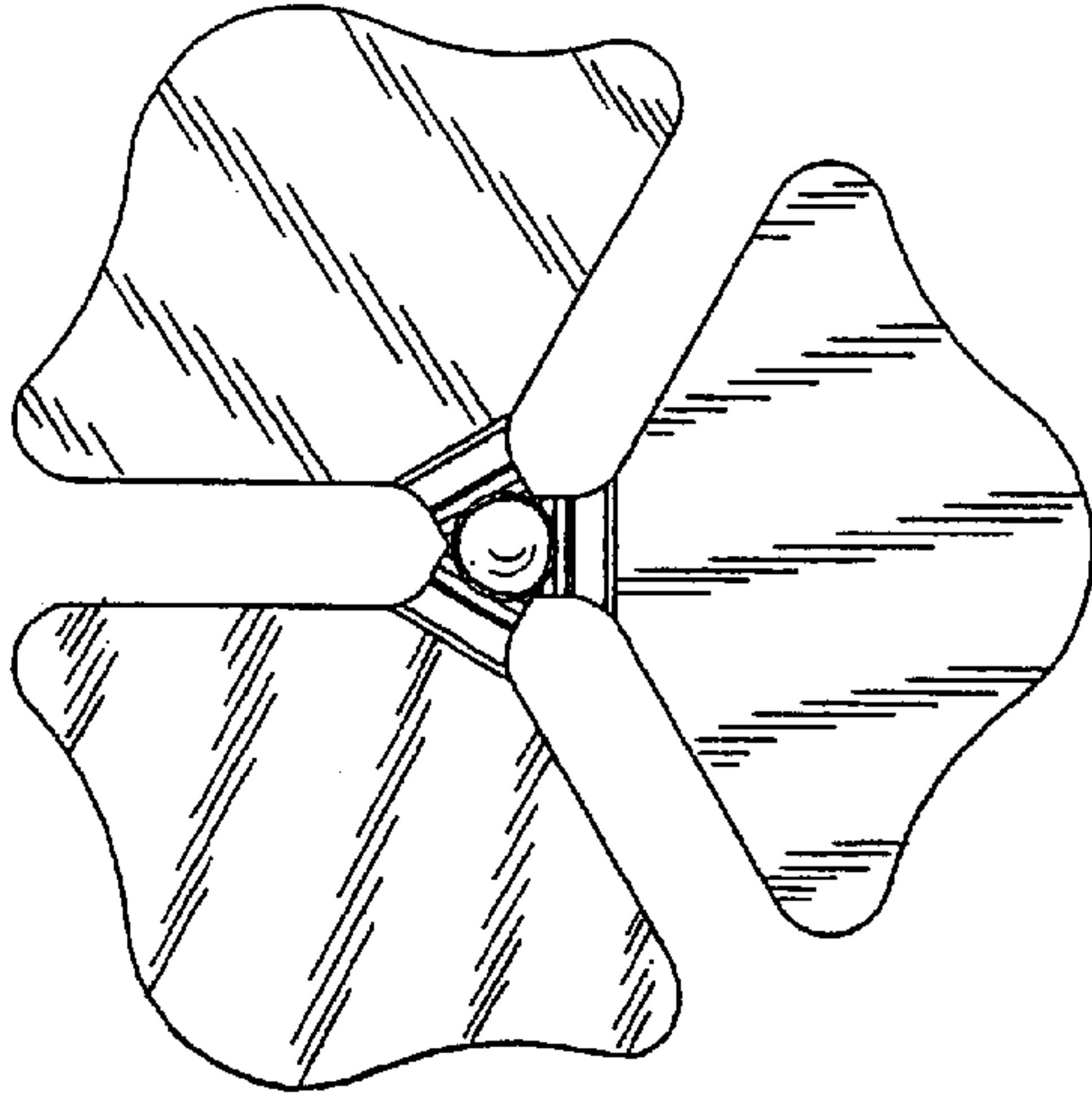


FIG. 4

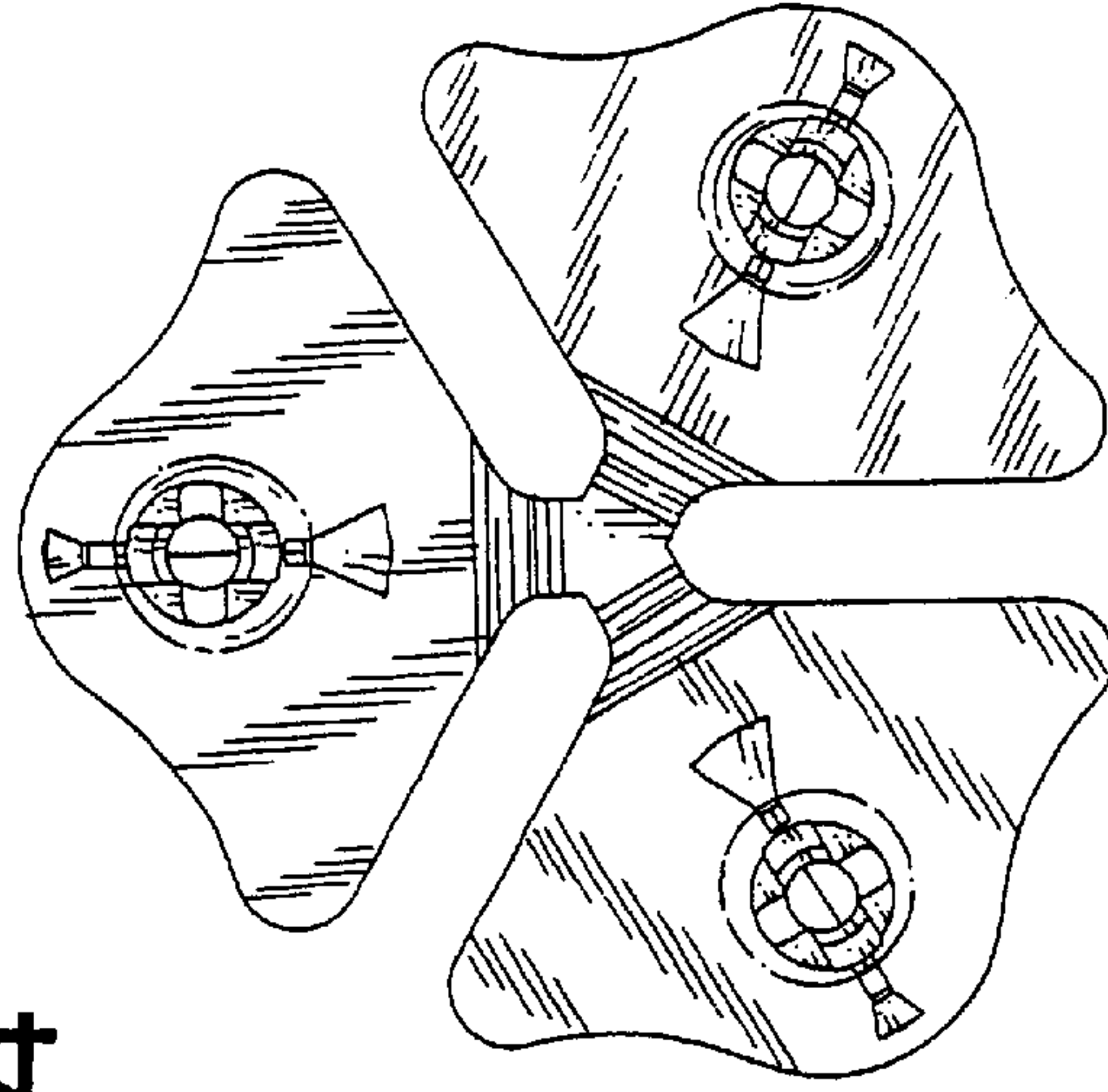


FIG. 5

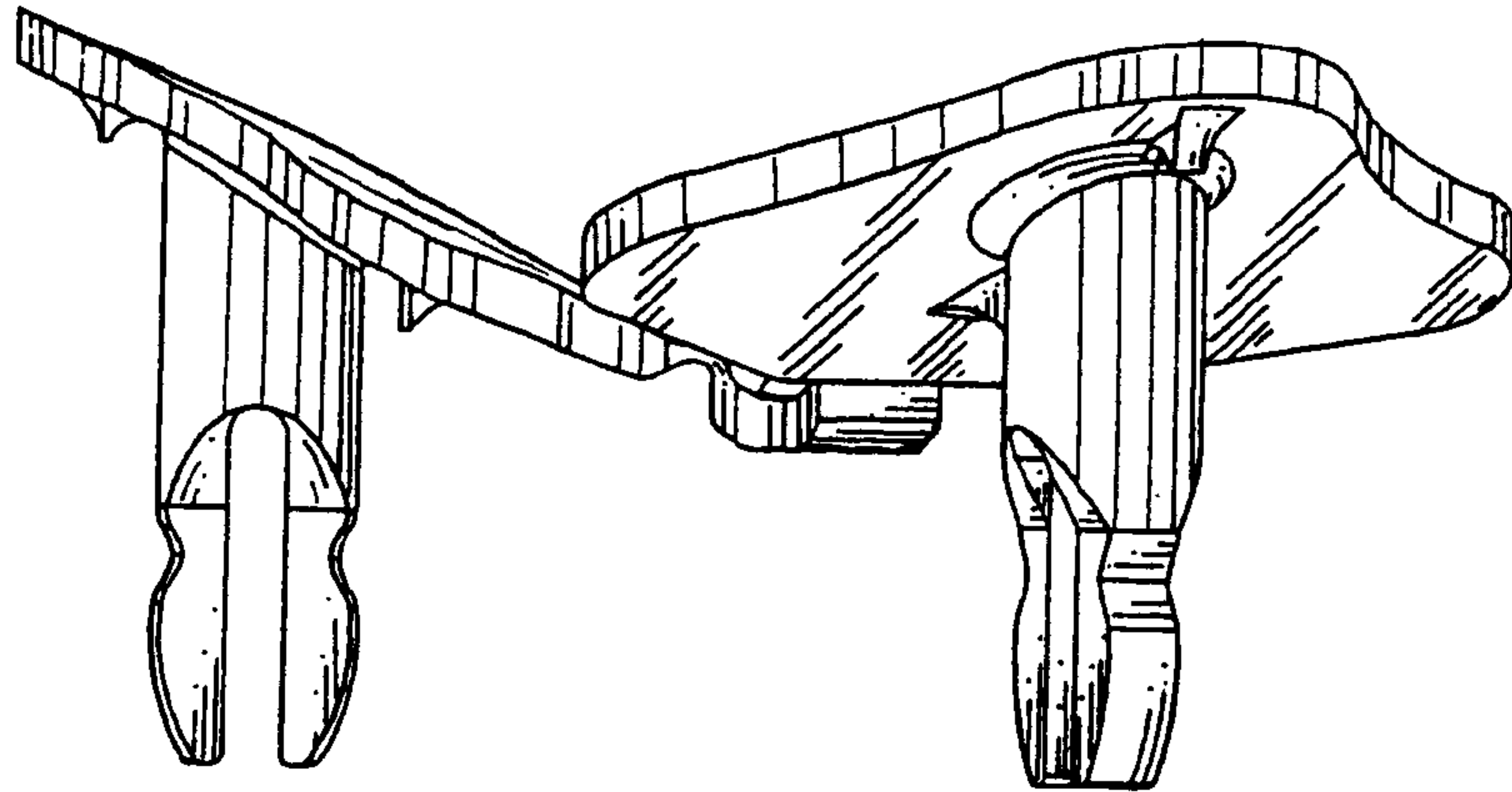


FIG. 7

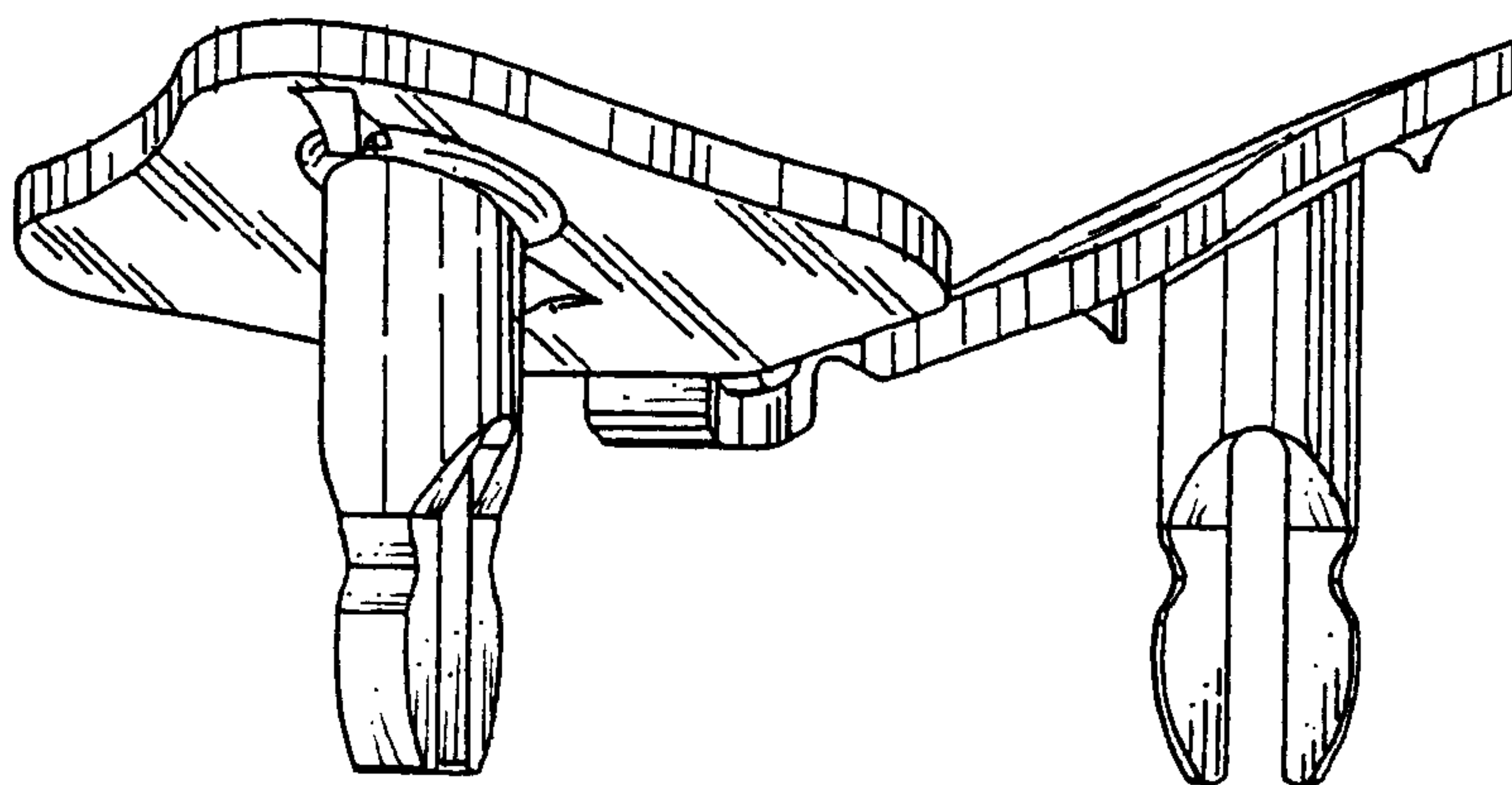


FIG. 6

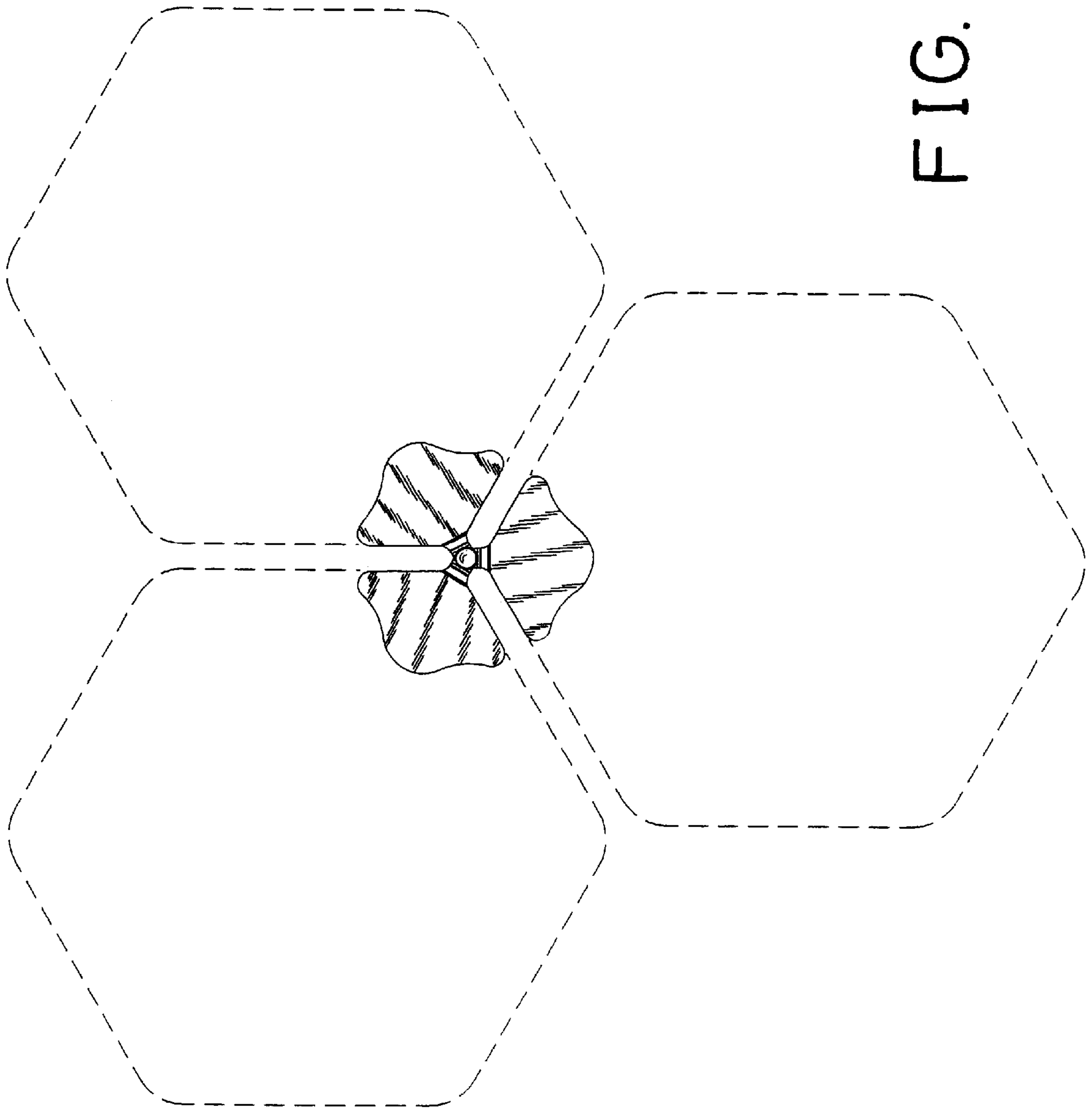


FIG. 9