



US00D483657S

(12) **United States Design Patent**
Kim

(10) **Patent No.:** **US D483,657 S**

(45) **Date of Patent:** **** Dec. 16, 2003**

(54) **SHAFT COUPLING**

(75) Inventor: **Hyun Dong Kim**, Seoul (KR)

(73) Assignee: **Taesung Rubber & Chemical Co. Ltd.**, Kyungsangbuk-do (KR)

(**) Term: **14 Years**

(21) Appl. No.: **29/166,357**

(22) Filed: **Aug. 27, 2002**

(51) **LOC (7) Cl.** **08-08**

(52) **U.S. Cl.** **D8/382**

(58) **Field of Search** D8/382, 383; 403/322.4,
403/383, 337, 322.1, 403

(56) **References Cited**

U.S. PATENT DOCUMENTS

6,159,818 A * 12/2000 Durcan et al. 438/387

FOREIGN PATENT DOCUMENTS

JP 09264330 A * 10/1997 F16D/3/70

JP 11294479 A * 10/1999 F16D/3/78

* cited by examiner

Primary Examiner—Holly Baynham

(74) *Attorney, Agent, or Firm*—Jacobson Holman PLLC

(57) **CLAIM**

The ornamental design for the shaft coupling, as shown and described.

DESCRIPTION

FIG. 1 is a perspective view of the shaft coupling according to the invention;

FIG. 2 is a rear perspective view thereof;

FIG. 3 is a front elevational view thereof;

FIG. 4 is a rear elevational view thereof;

FIG. 5 is a right side elevational view thereof;

FIG. 6 is a left side elevational view thereof;

FIG. 7 is a top plan view thereof; and,

FIG. 8 is a bottom plan view thereof.

1 Claim, 4 Drawing Sheets

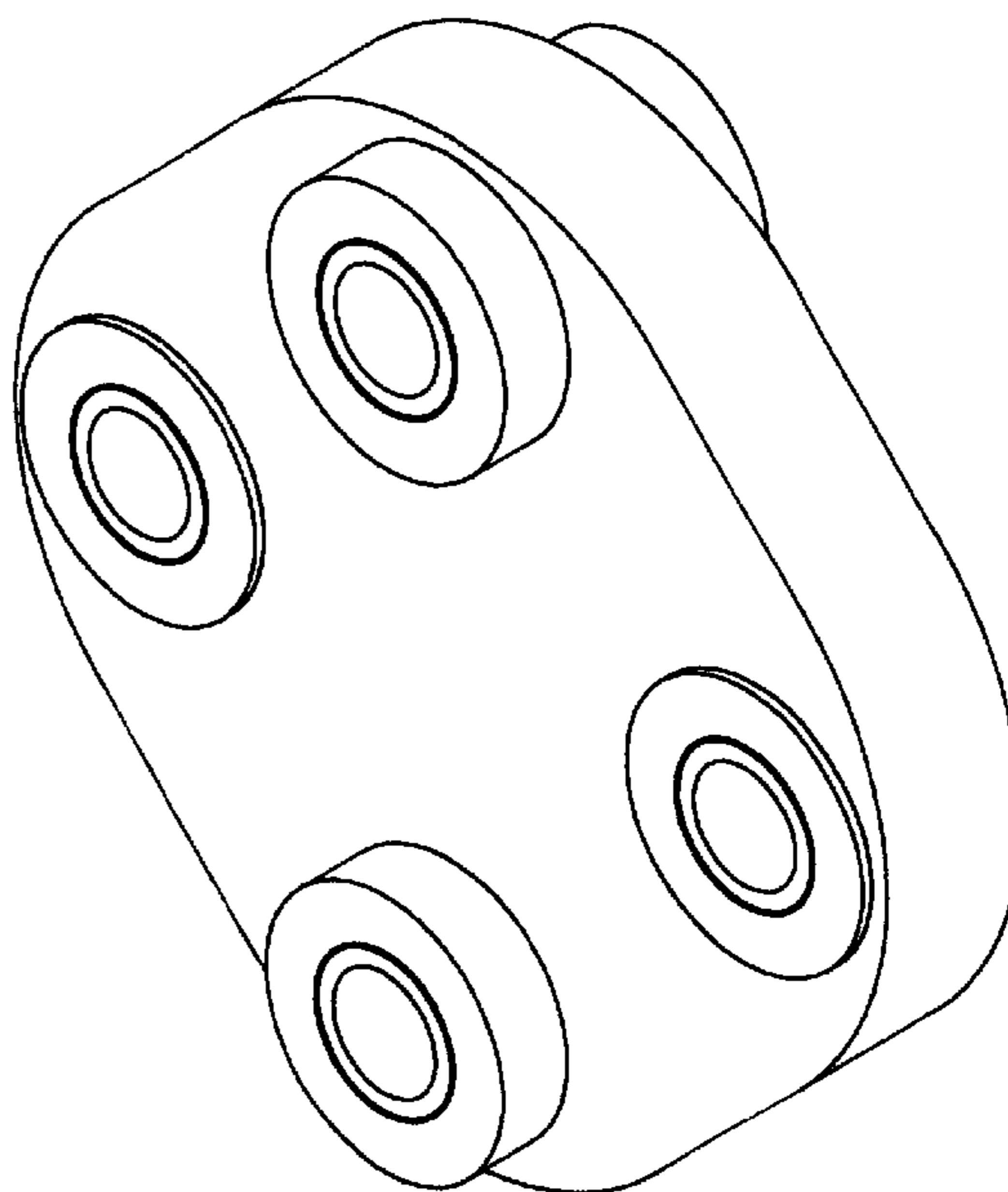
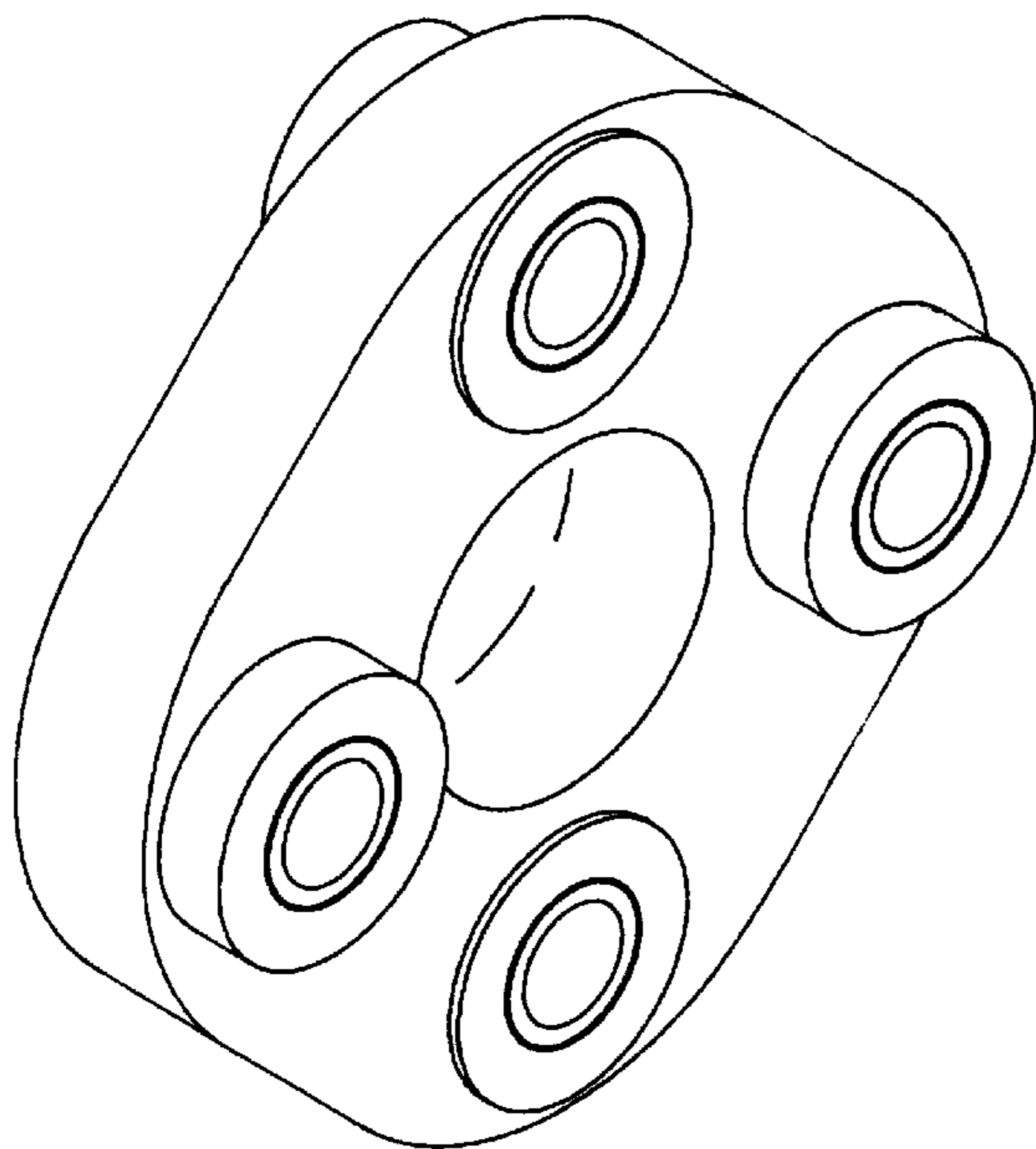


FIG. 1

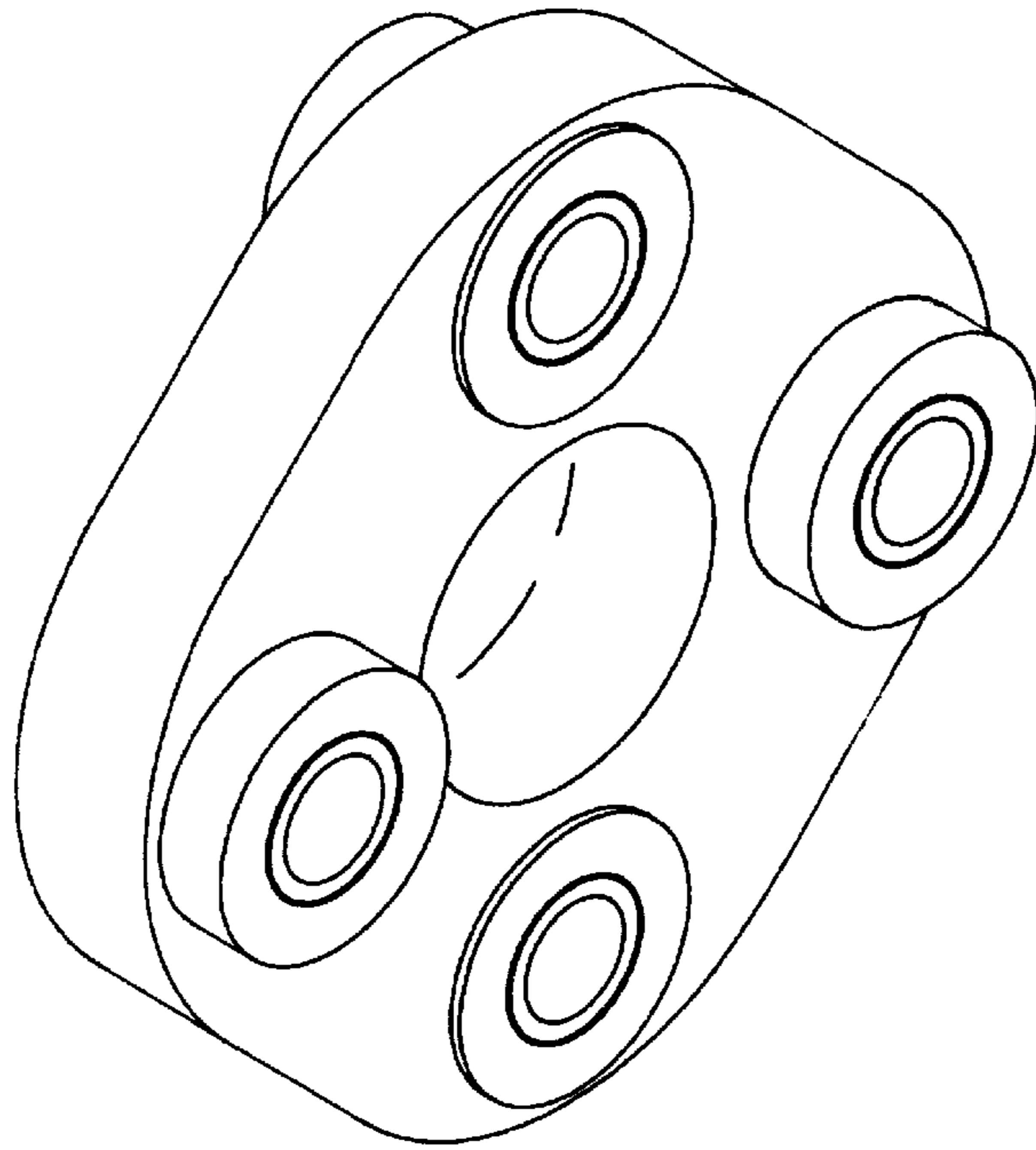


FIG. 2

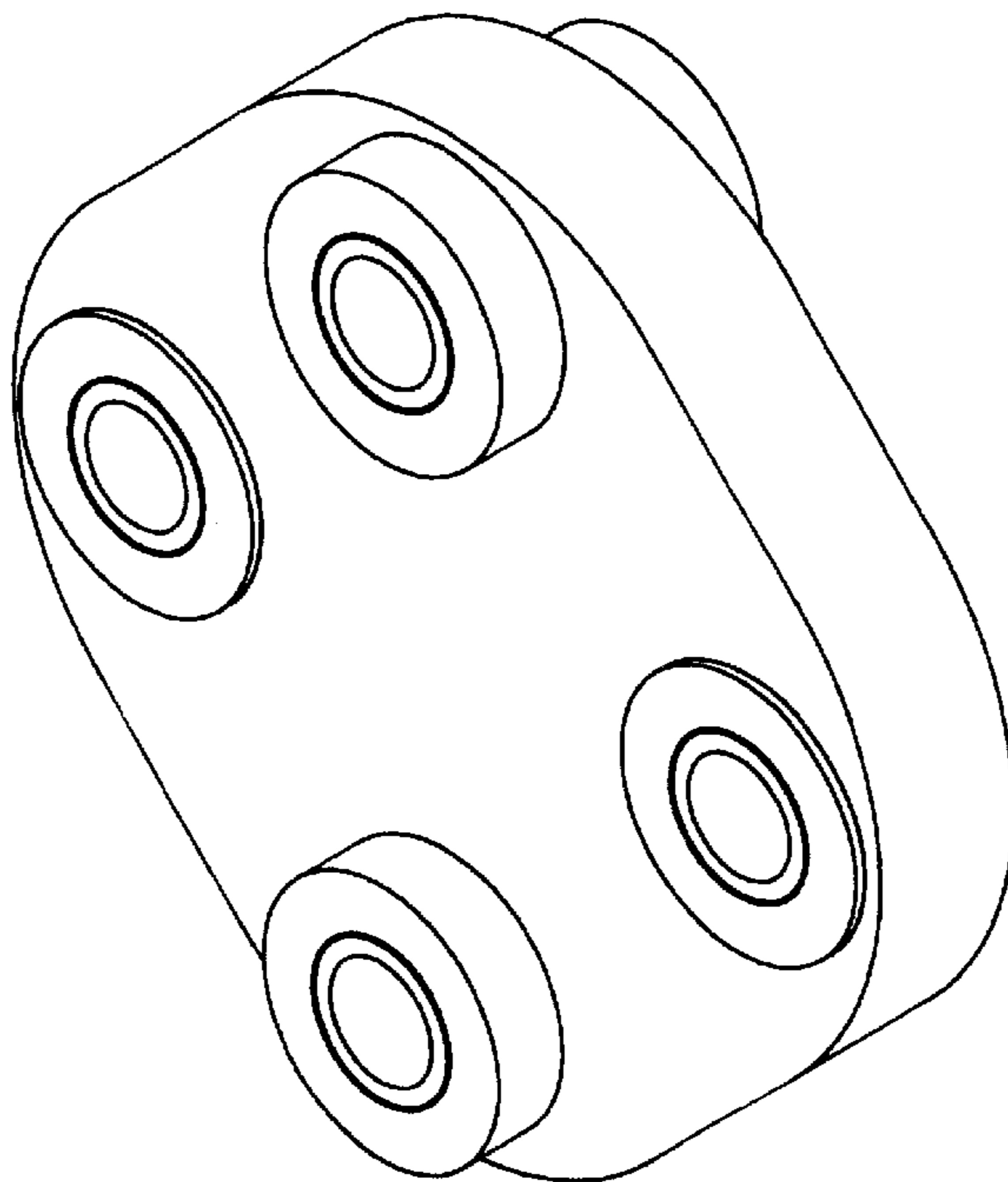


FIG. 3

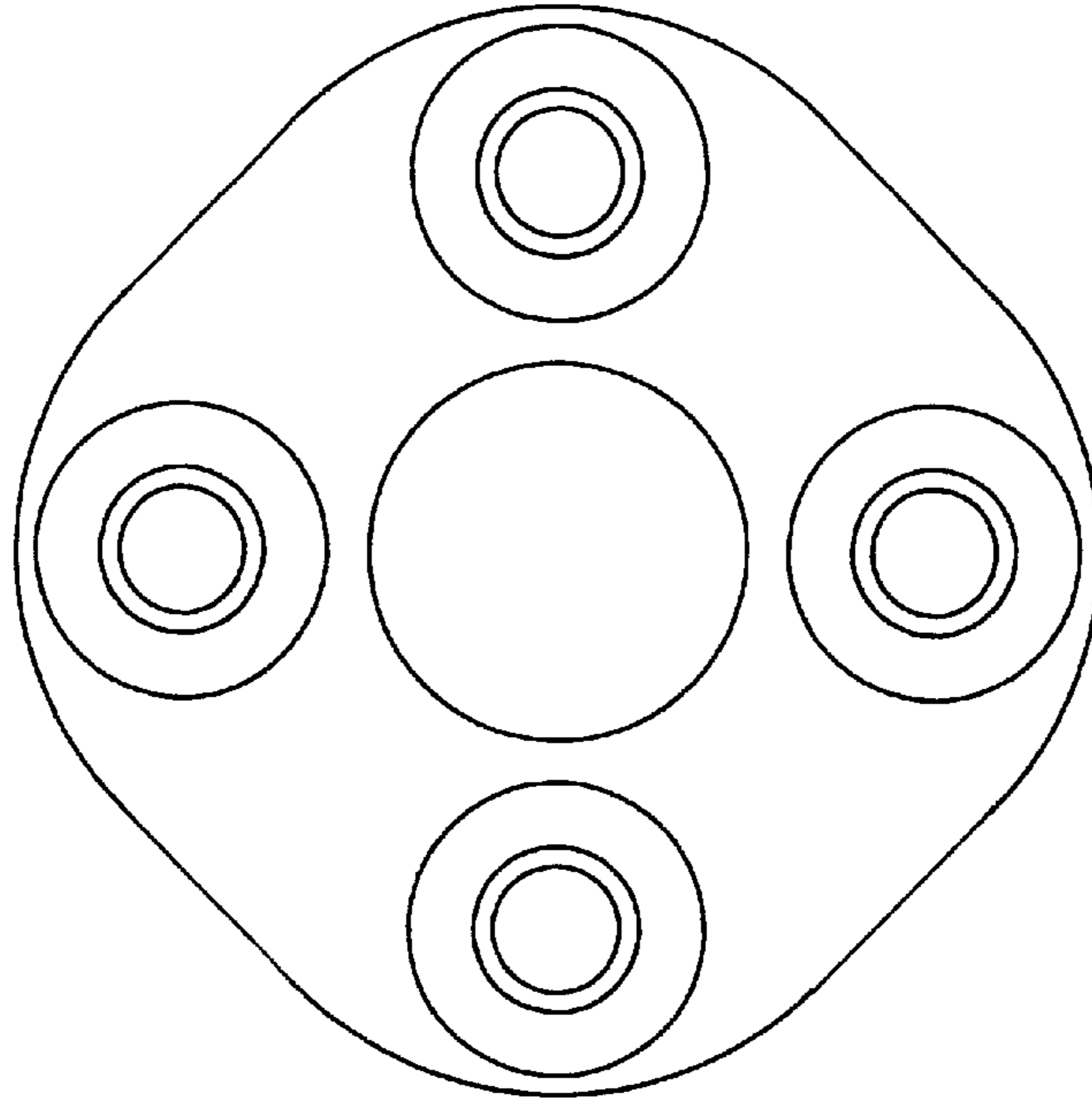


FIG. 4

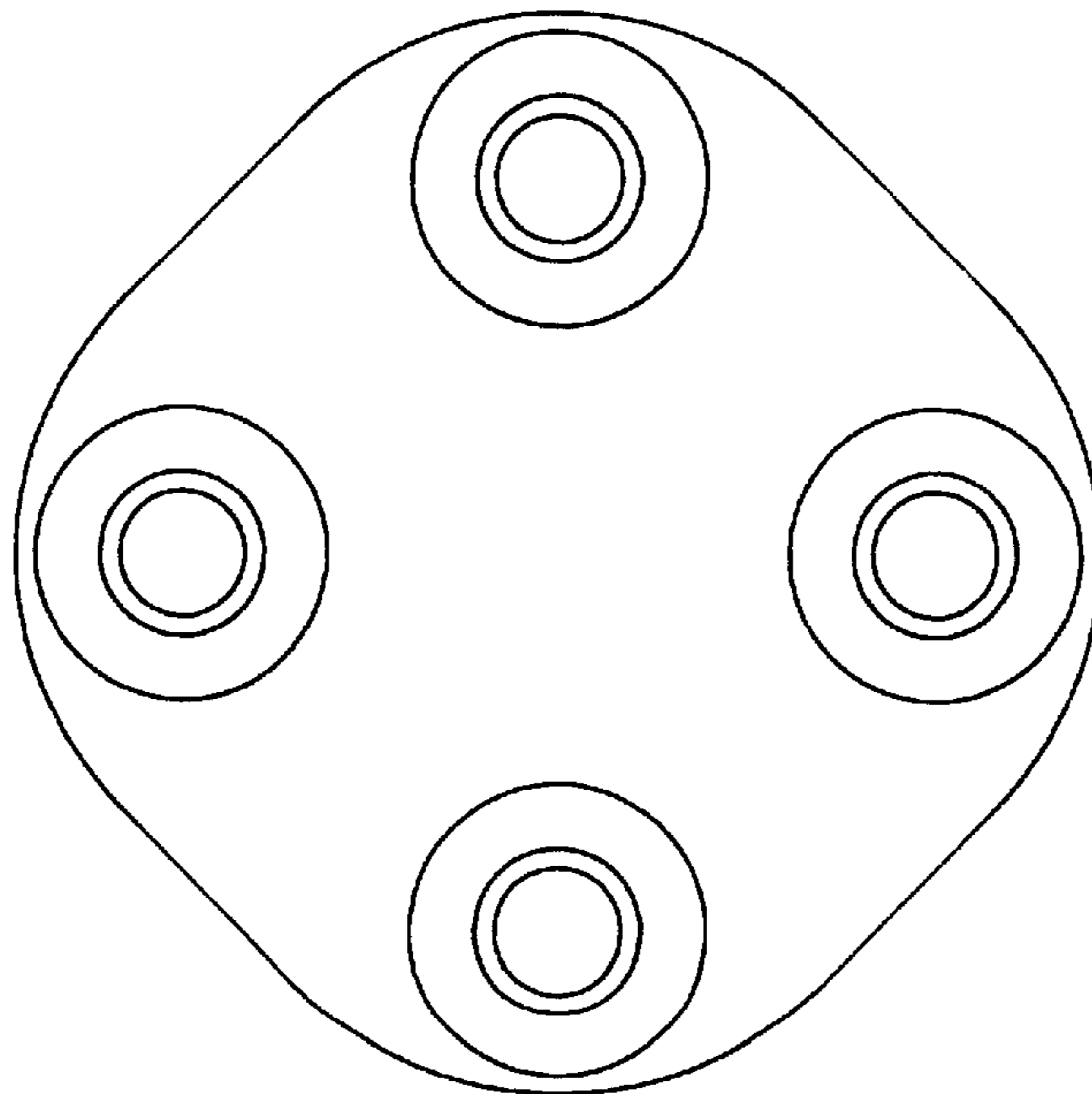


FIG. 5

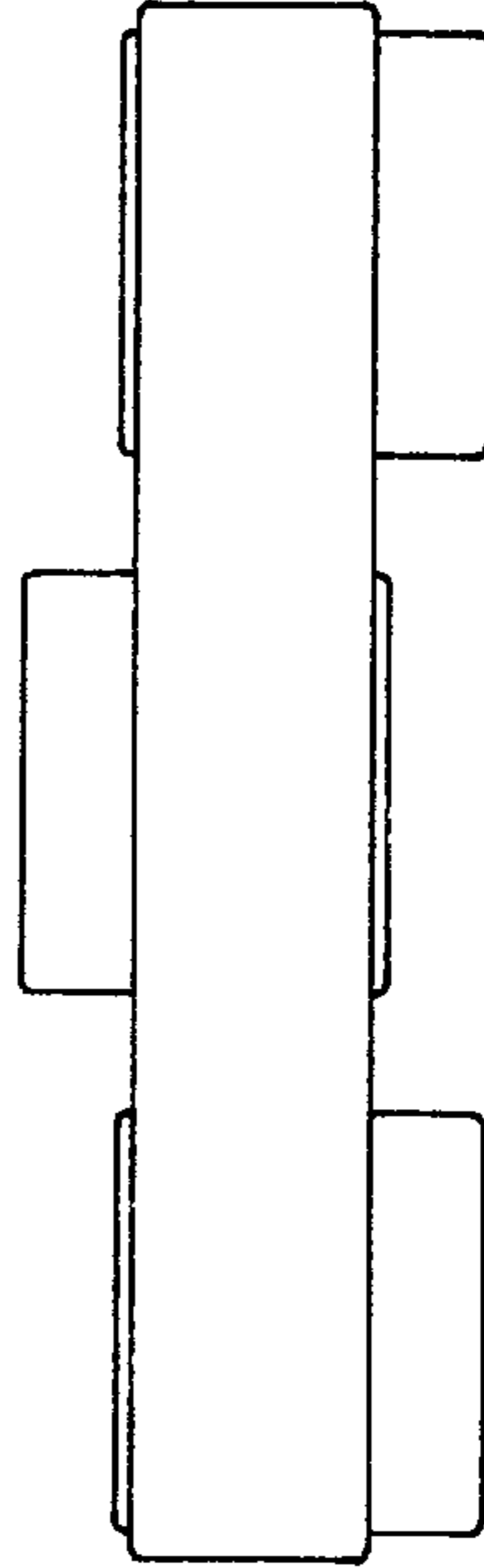


FIG. 6

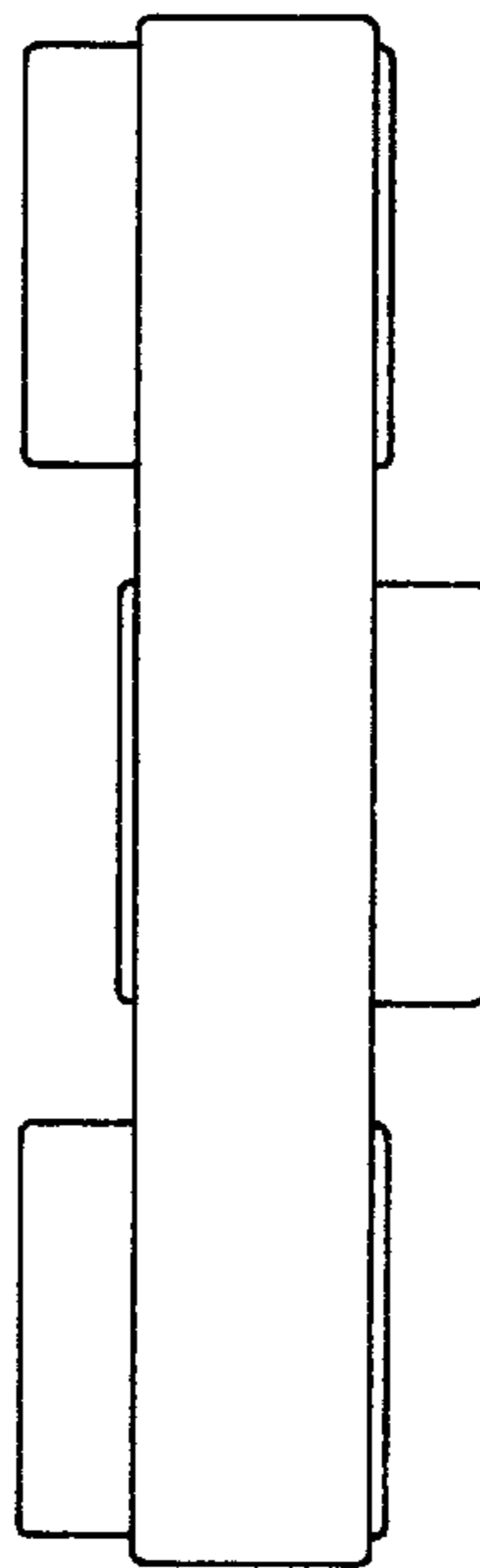


FIG. 7

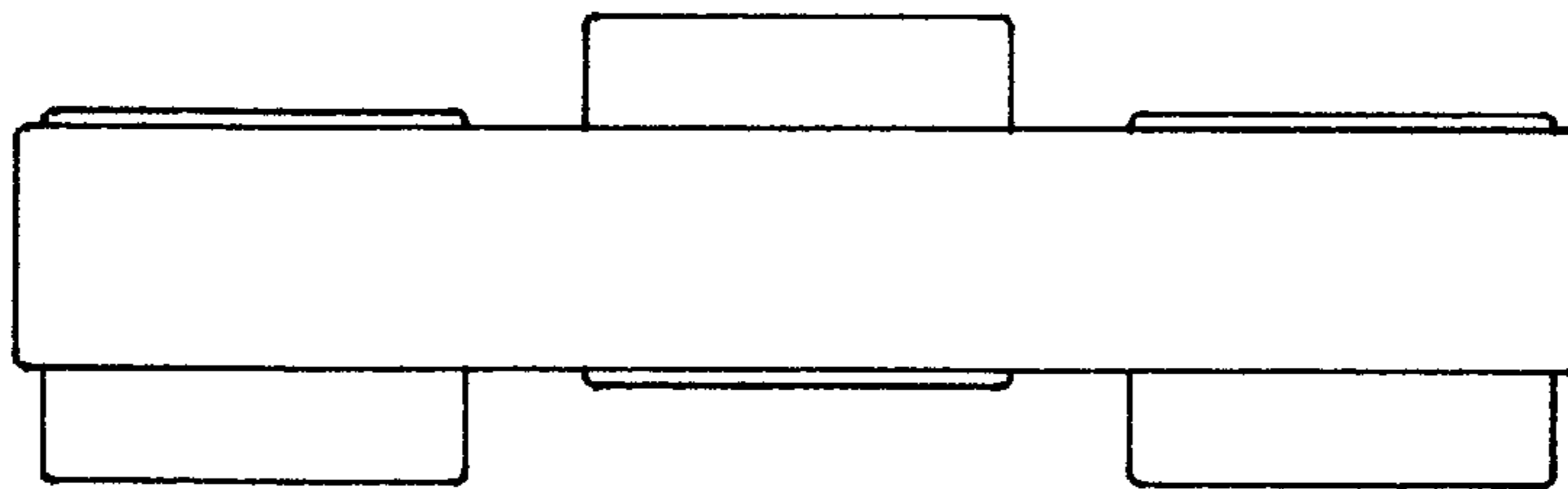


FIG. 8

