



US00D483656S

(12) **United States Design Patent**
Shea

(10) **Patent No.:** **US D483,656 S**

(45) **Date of Patent:** **** Dec. 16, 2003**

(54) **UNDER SHELF MERCHANDISE SUPPORT BRACKET**

(76) Inventor: **Thomas M. Shea**, 984 Livernois, Troy, MI (US) 48083

(**) Term: **14 Years**

(21) Appl. No.: **29/178,167**

(22) Filed: **Mar. 21, 2003**

(51) **LOC (7) Cl.** **08-05**

(52) **U.S. Cl.** **D8/381**

(58) **Field of Search** D8/381; 211/86.01; 248/235, 237, 243, 245, 247, 250

(56) **References Cited**

U.S. PATENT DOCUMENTS

D286,156 S	*	10/1986	Mastrodicasa	D8/381
D294,221 S	*	2/1988	Sheftel	D8/381
D376,751 S	*	12/1996	Hanson et al.	D8/354
6,402,113 B1	*	6/2002	Chang	248/340
D463,251 S	*	9/2002	Shea	D8/354

* cited by examiner

Primary Examiner—Holly Baynham
(74) *Attorney, Agent, or Firm*—Gifford, Krass, Groh, Sprinkle, Anderson & Citowski, P.C.

(57) **CLAIM**

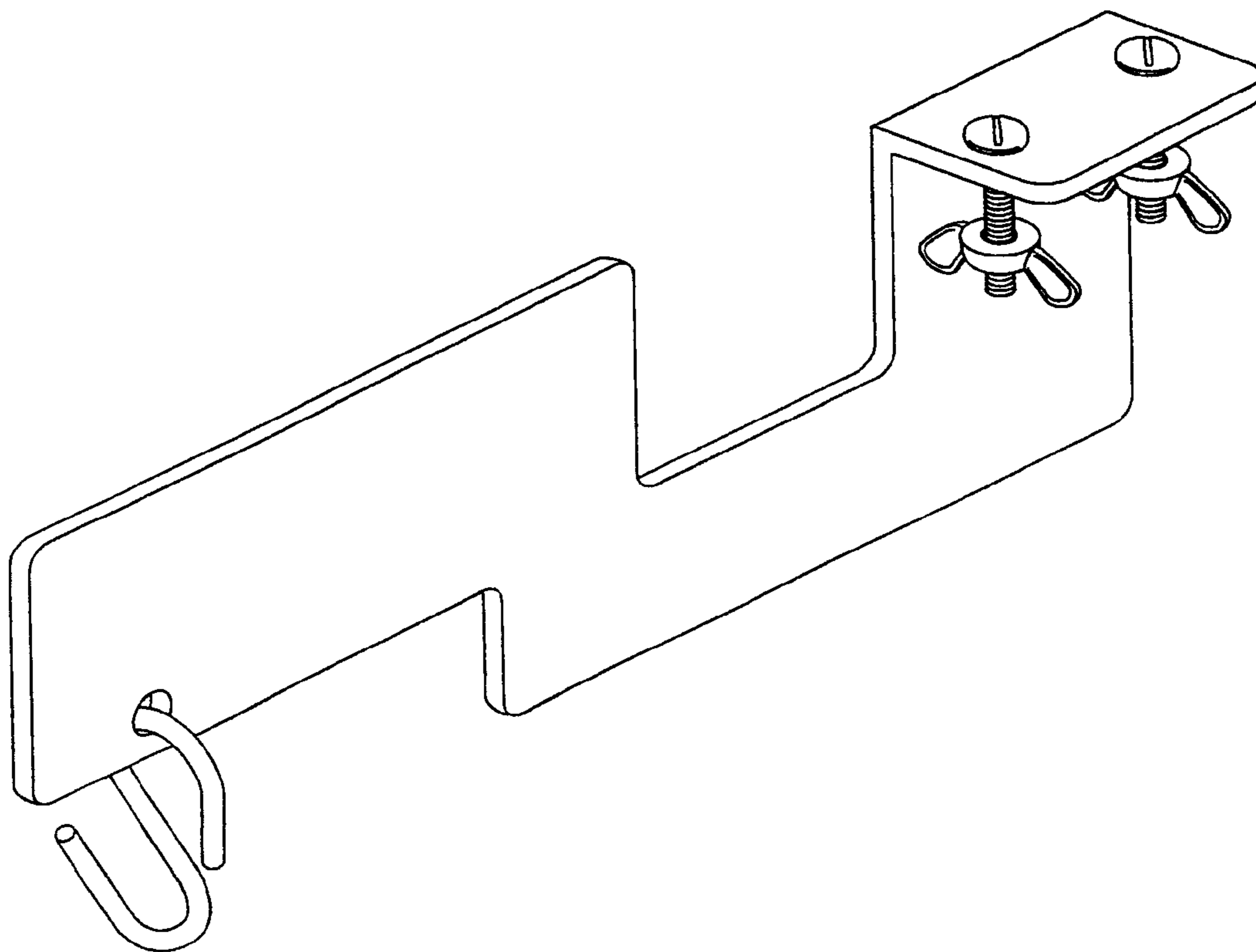
I claim the ornamental design for an under self merchandise support bracket, as shown and described.

DESCRIPTION

FIG. 1 is a perspective view of the under shelf merchandise support bracket according to the present design; FIG. 2 a right side view of the present design; FIG. 3 is a left side view of the present design; FIG. 4 is a front view of the present design; FIG. 5 is a rear view of the present design; FIG. 6 is a top view of present design; FIG. 7 is a bottom view of the present design; and, FIG. 8 is an environmental view of the support bracket of the present design in use with a strip display and an associated horizontal shelf.

The broken line showing of hooks, a portion of a shelf and the label on the bracket is for illustrative purposes only and forms no part of the claimed design.

1 Claim, 4 Drawing Sheets



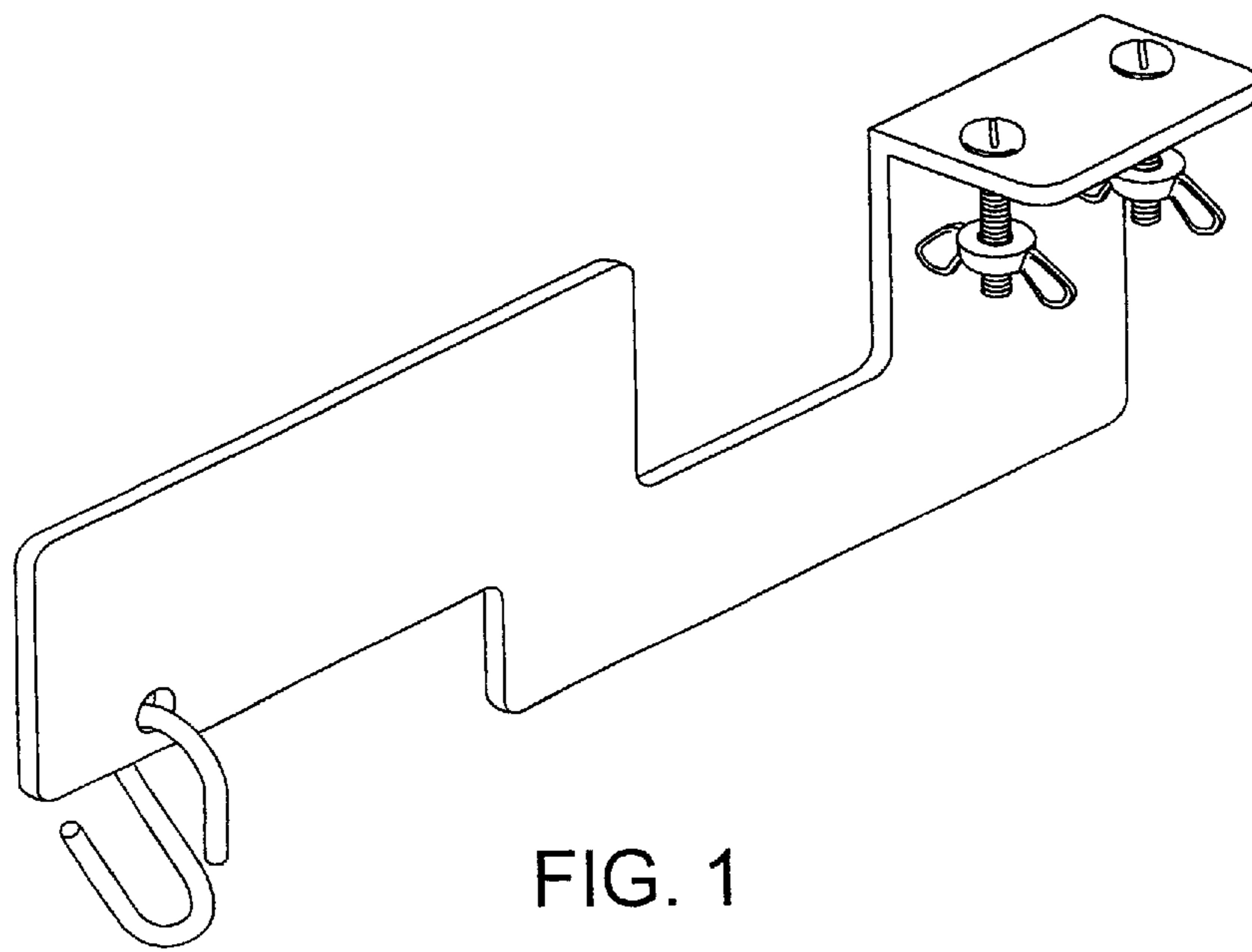


FIG. 1

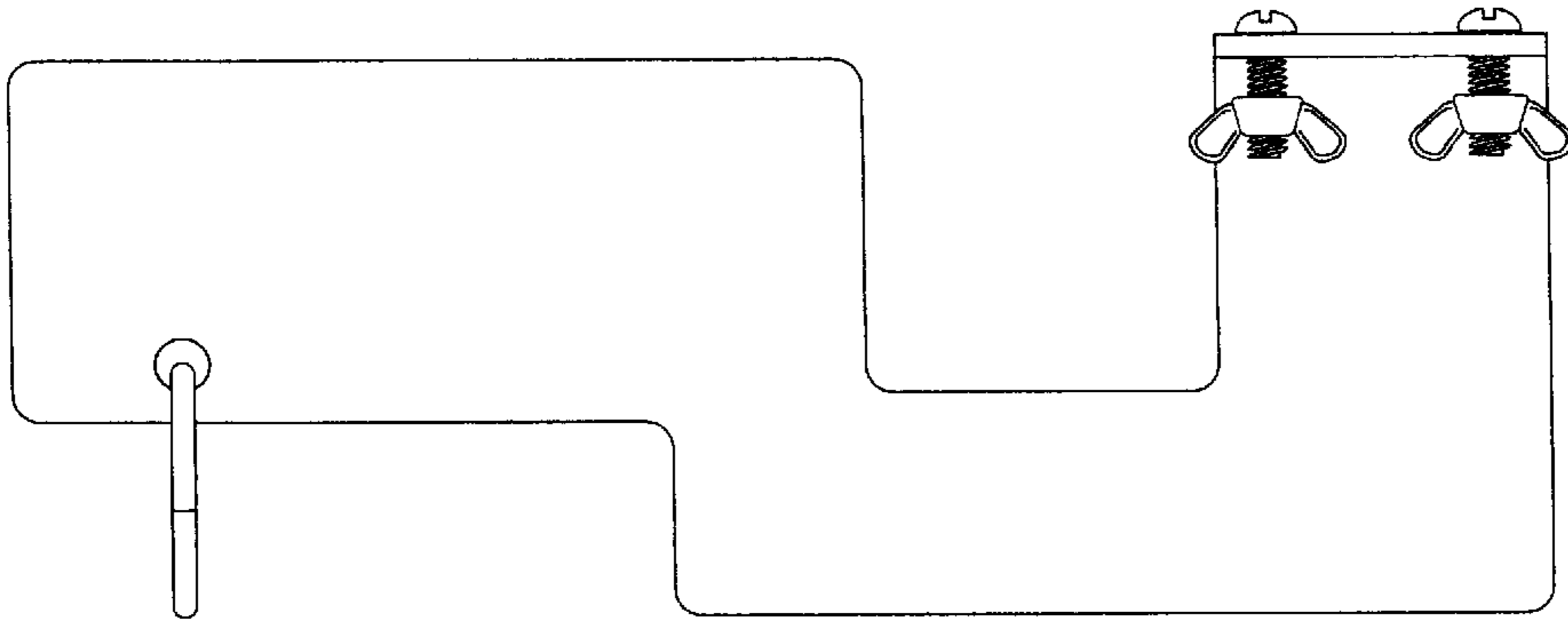


FIG. 2

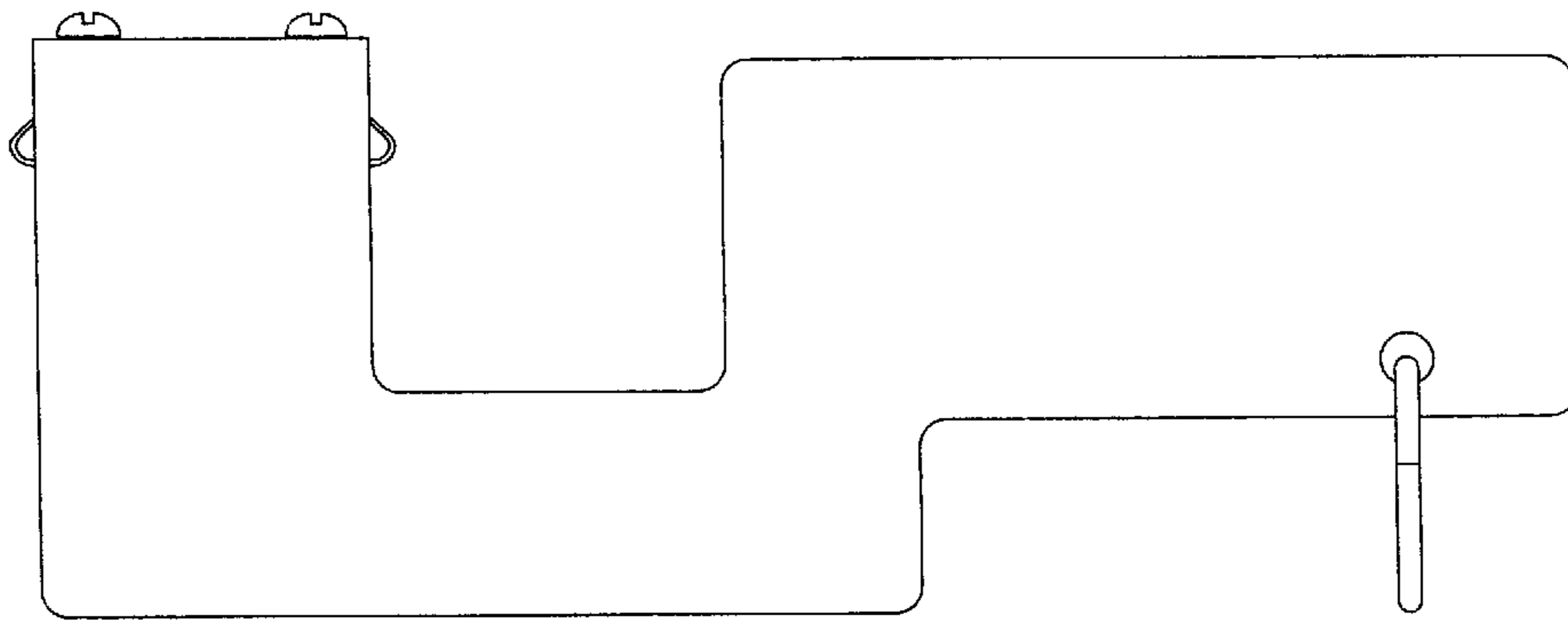


FIG. 3

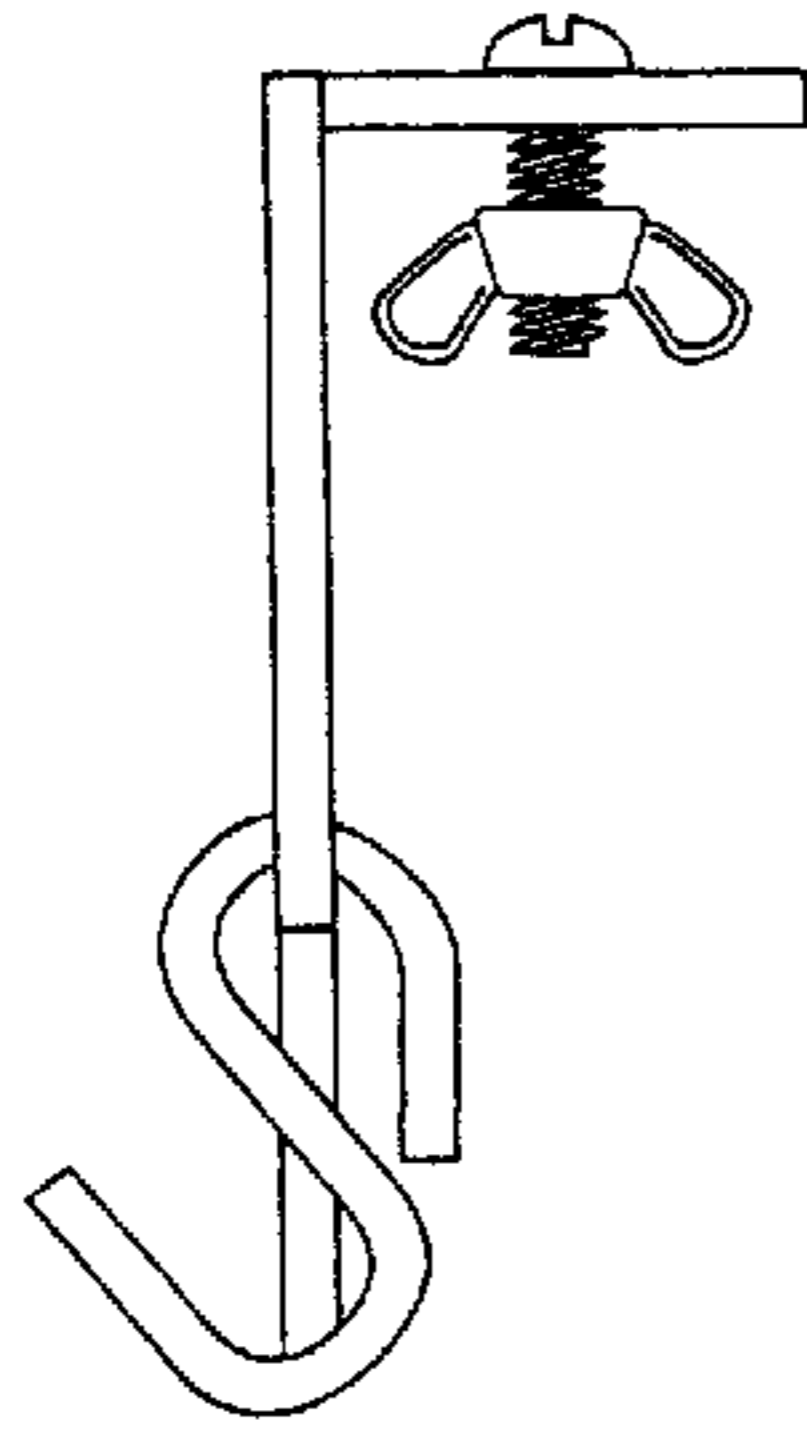


FIG. 4

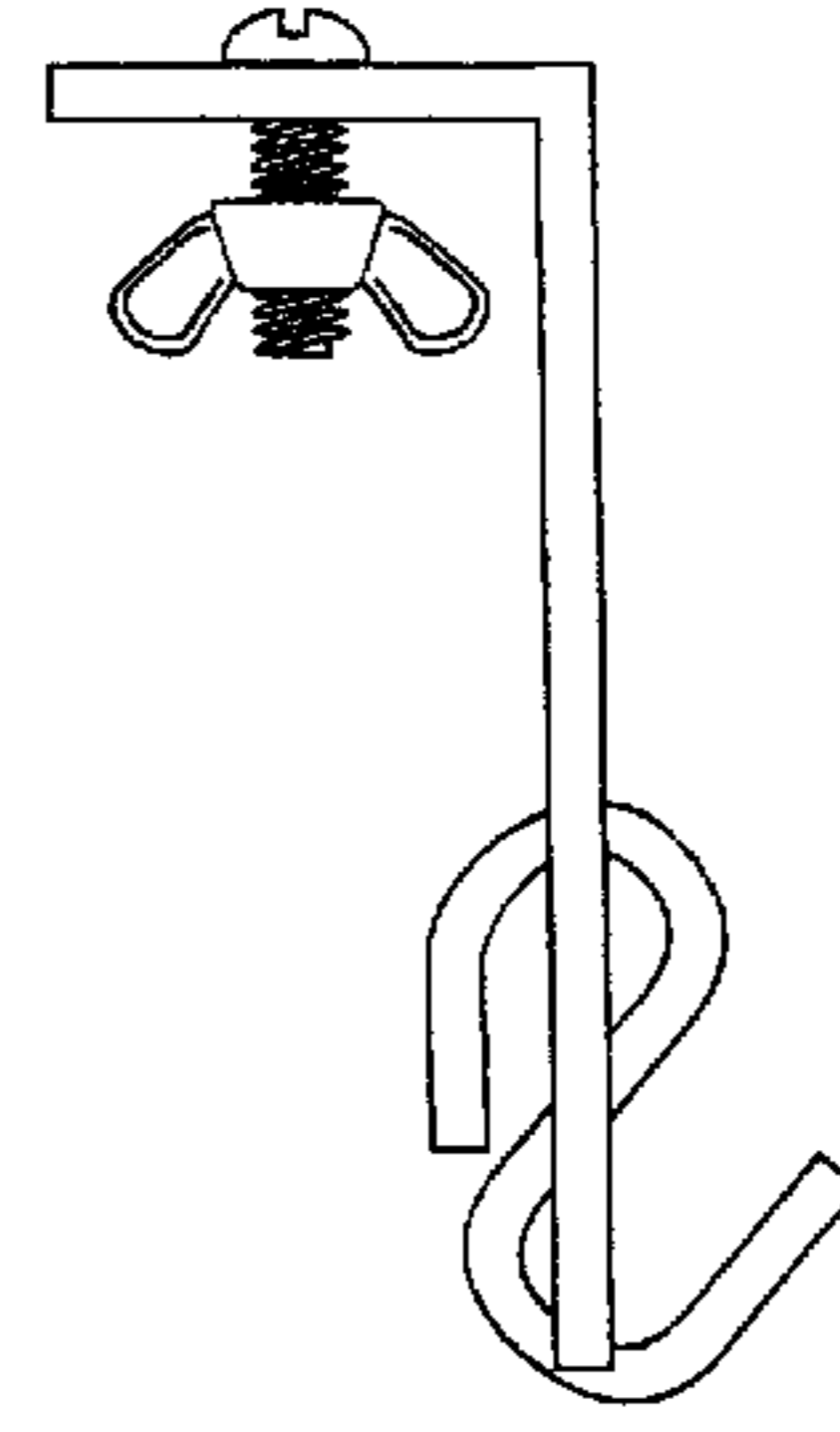


FIG. 5

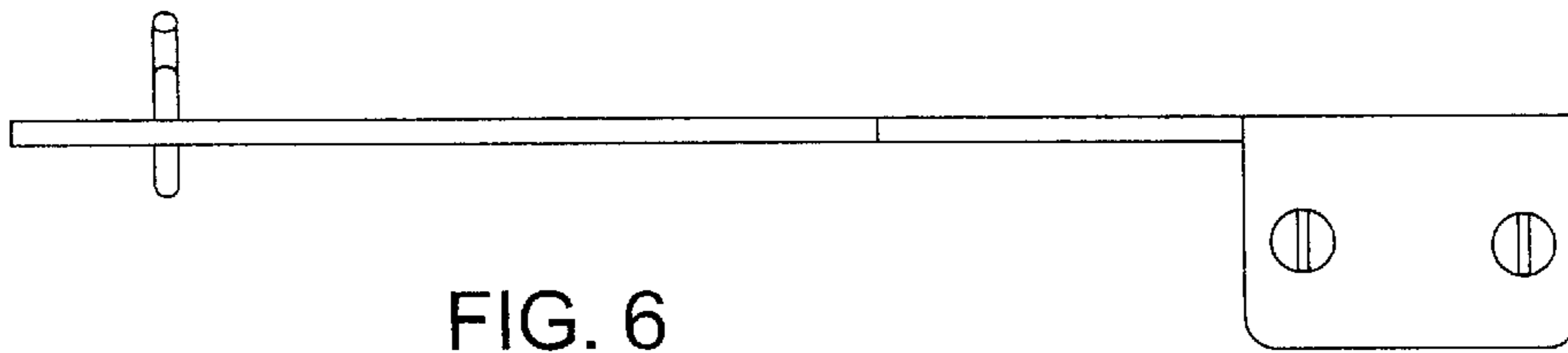


FIG. 6

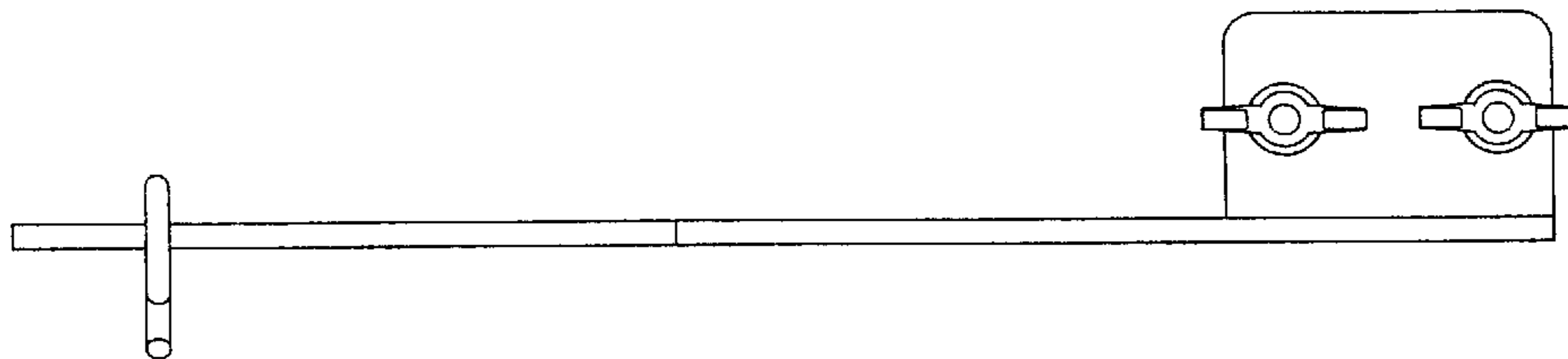


FIG. 7

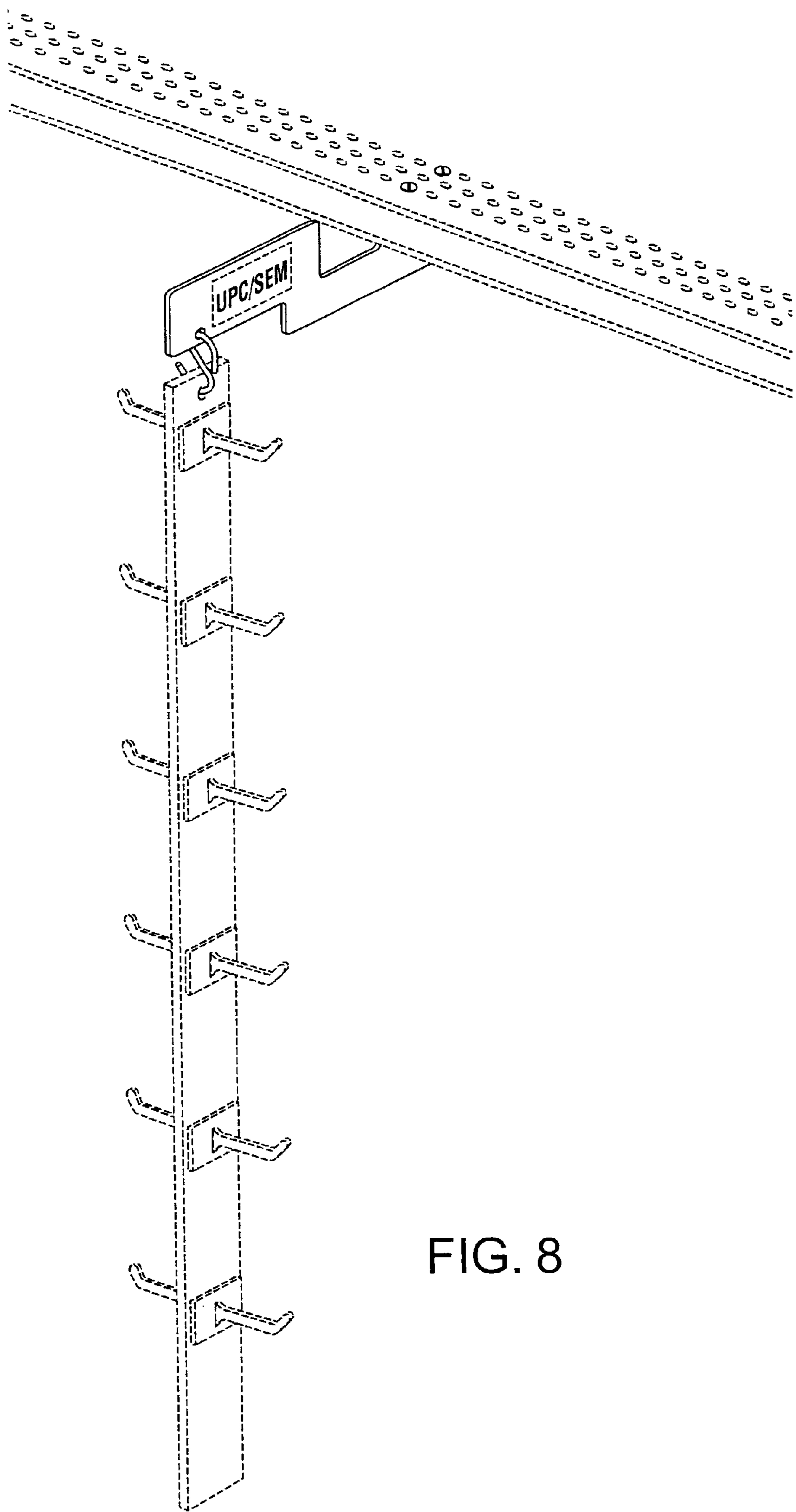


FIG. 8