



US00D483655S

(12) **United States Design Patent**  
**Dretzka**

(10) **Patent No.:** **US D483,655 S**

(45) **Date of Patent:** **\*\* Dec. 16, 2003**

(54) **HOOK PART**

(75) Inventor: **Philip C. Dretzka**, Cleveland Heights, OH (US)

(73) Assignee: **InterDesign, Inc.**, Solon, OH (US)

(\*\*) Term: **14 Years**

(21) Appl. No.: **29/179,433**

(22) Filed: **Apr. 9, 2003**

(51) **LOC (7) Cl.** ..... **08-05**

(52) **U.S. Cl.** ..... **D8/367**

(58) **Field of Search** ..... D8/370, 367; D6/566, D6/572, 323; 248/302–303; 211/106, 87.01, 57.1

(56) **References Cited**

**U.S. PATENT DOCUMENTS**

305,861	A	*	9/1884	Taylor	.....	248/303
401,683	A	*	4/1889	Buell	.....	248/303
D255,324	S	*	6/1980	Pierce	.....	D8/380
D324,783	S	*	3/1992	Greenhut et al.	.....	D6/323
5,996,955	A	*	12/1999	Chen	.....	248/302
D422,418	S		4/2000	Snell	.....	D6/327
D433,316	S		11/2000	Snell	.....	D8/372

**OTHER PUBLICATIONS**

*Decorative hardware*, 1999 InterDesign, Inc. brochure, cover and back pages and page entitled "racks in mixed materials".

*Storage organization*, 1999 InterDesign, Inc. brochure, cover and back pages and p. 11.

\* cited by examiner

*Primary Examiner*—Holly Baynham

(74) *Attorney, Agent, or Firm*—D. Peter Hochberg; Katherine R. Vieyra; Sean Mellino

(57) **CLAIM**

The ornamental design for a hook part, as shown and described.

**DESCRIPTION**

FIG. 1 is a perspective view of a hook part embodying this invention, with additional hook parts and a mounting bar shown in phantom;

FIG. 2 is a top view of the hook part shown in FIG. 1, with the additional hook parts and mounting bar shown in phantom;

FIG. 3 is a front view of the hook part shown in FIG. 1, with the additional hook parts and mounting bar shown in phantom;

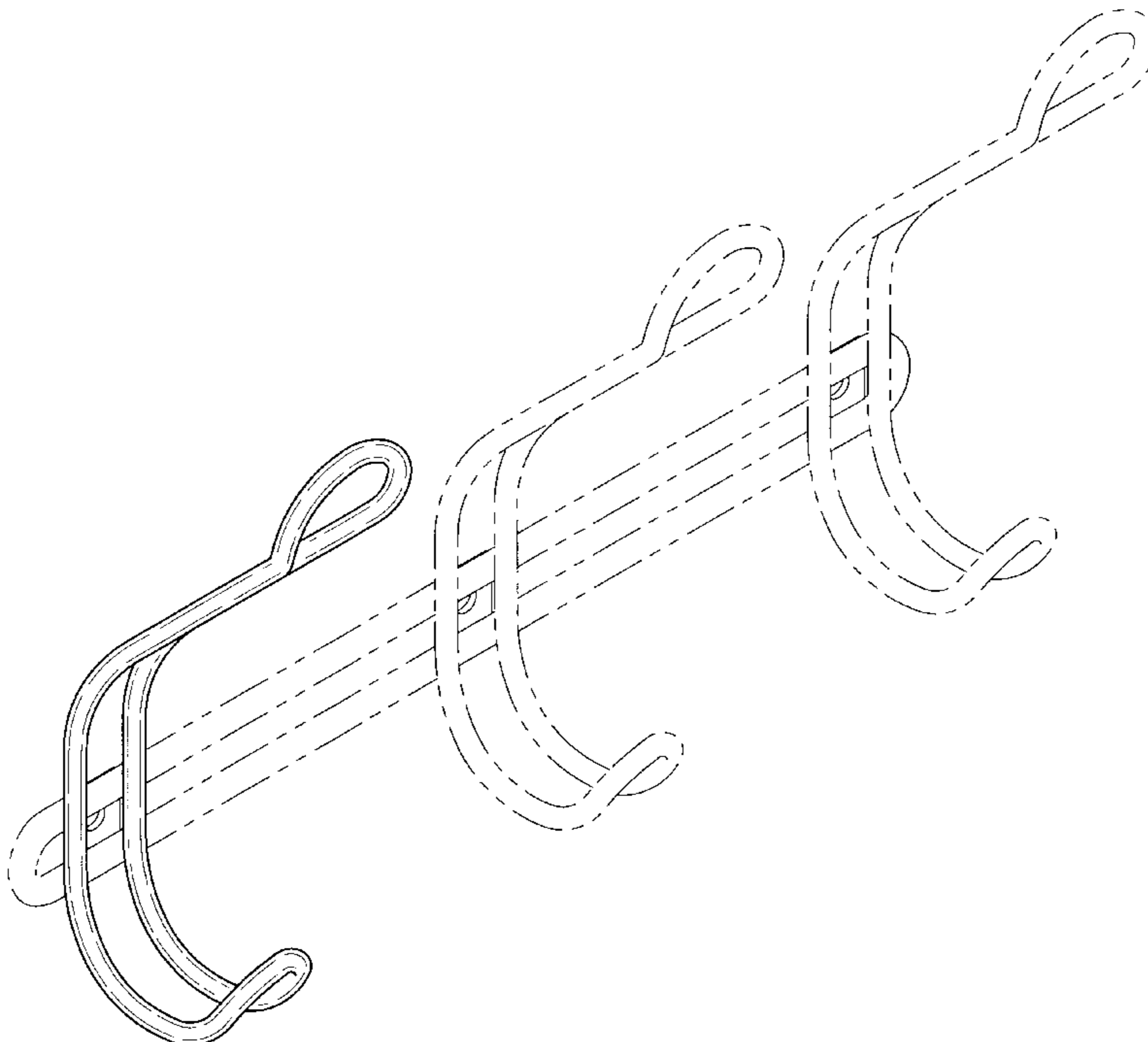
FIG. 4 is a right side elevation view of the hook part shown in FIG. 1, with the mounting bar shown in phantom;

FIG. 5 is a rear view of the hook part shown in FIG. 1, with the additional hook parts and mounting bar shown in phantom;

FIG. 6 is a left side elevation view of the hook part shown in FIG. 1, with the mounting bar shown in phantom; and, FIG. 7 is a bottom view of the hook part shown in FIG. 1, with the additional hook parts and mounting bar shown in phantom.

The broken line showing of remaining hooks and rack is for illustrative purposes only and forms no part of the claimed design.

**1 Claim, 3 Drawing Sheets**



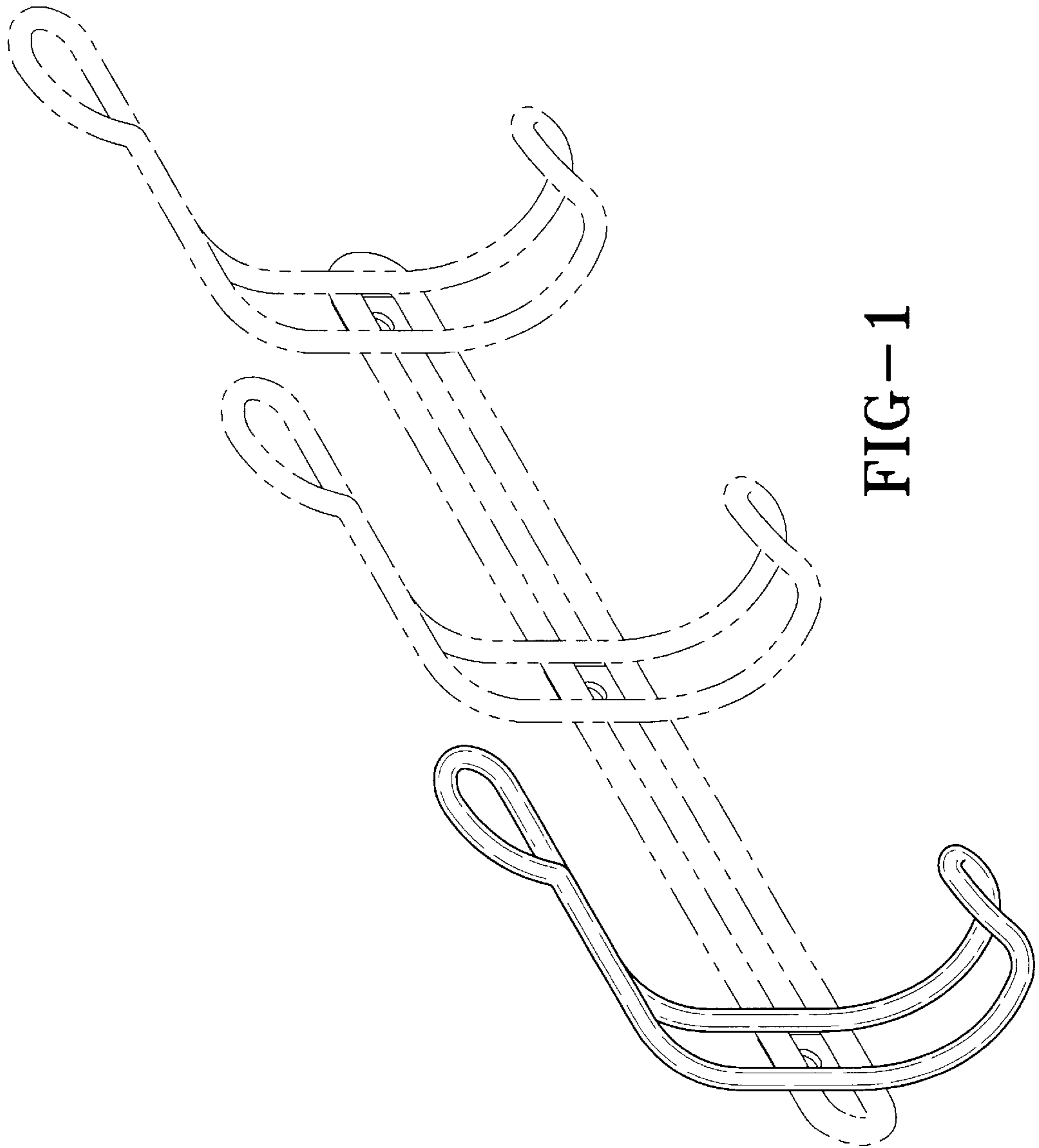


FIG-1

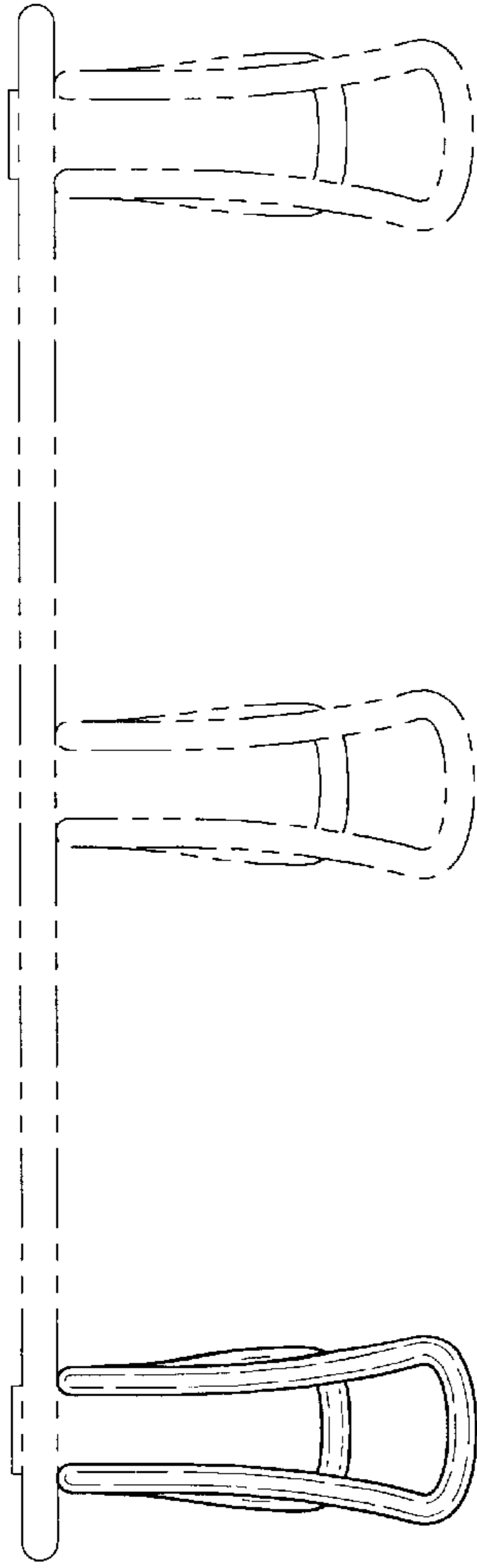


FIG-2

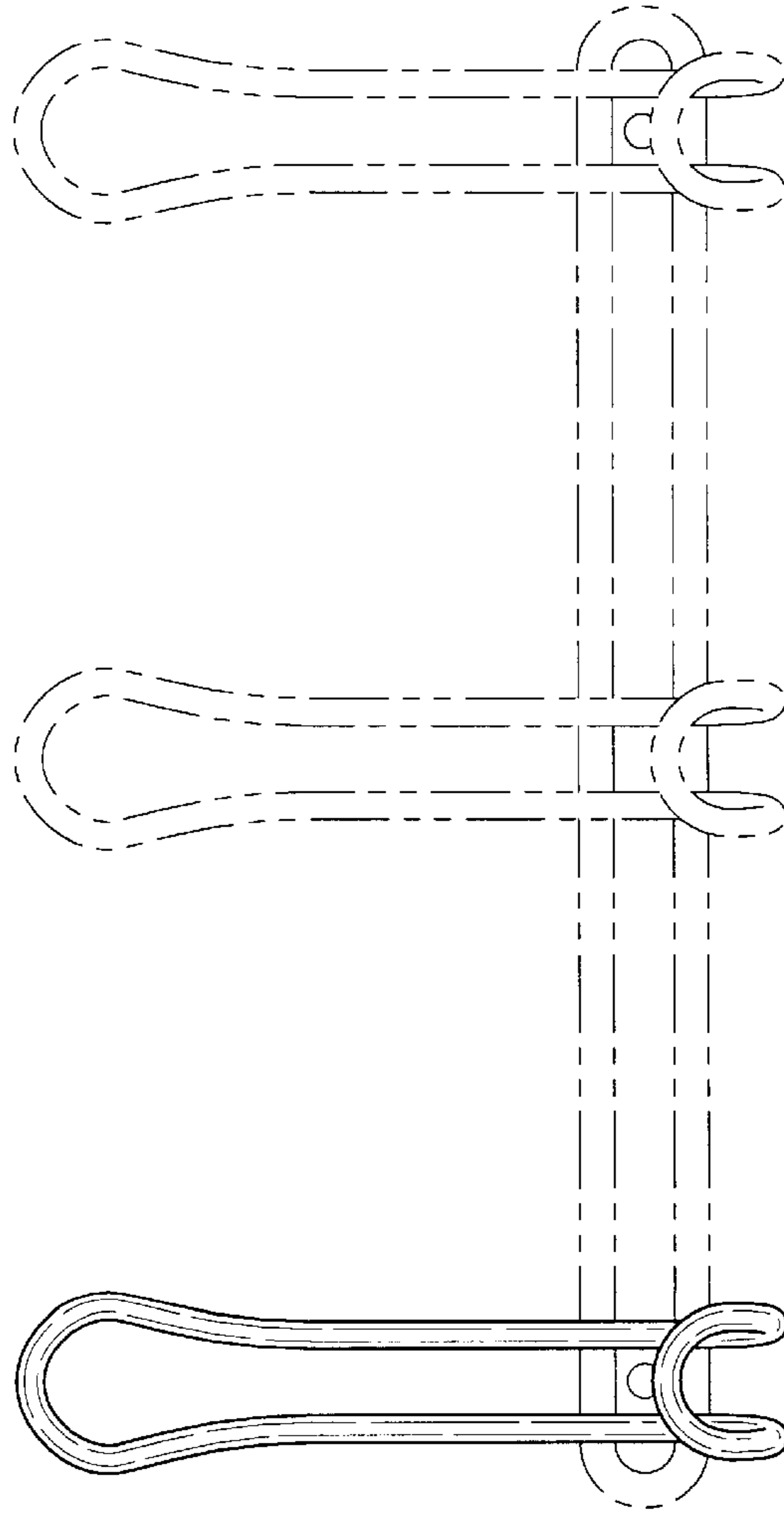


FIG-3

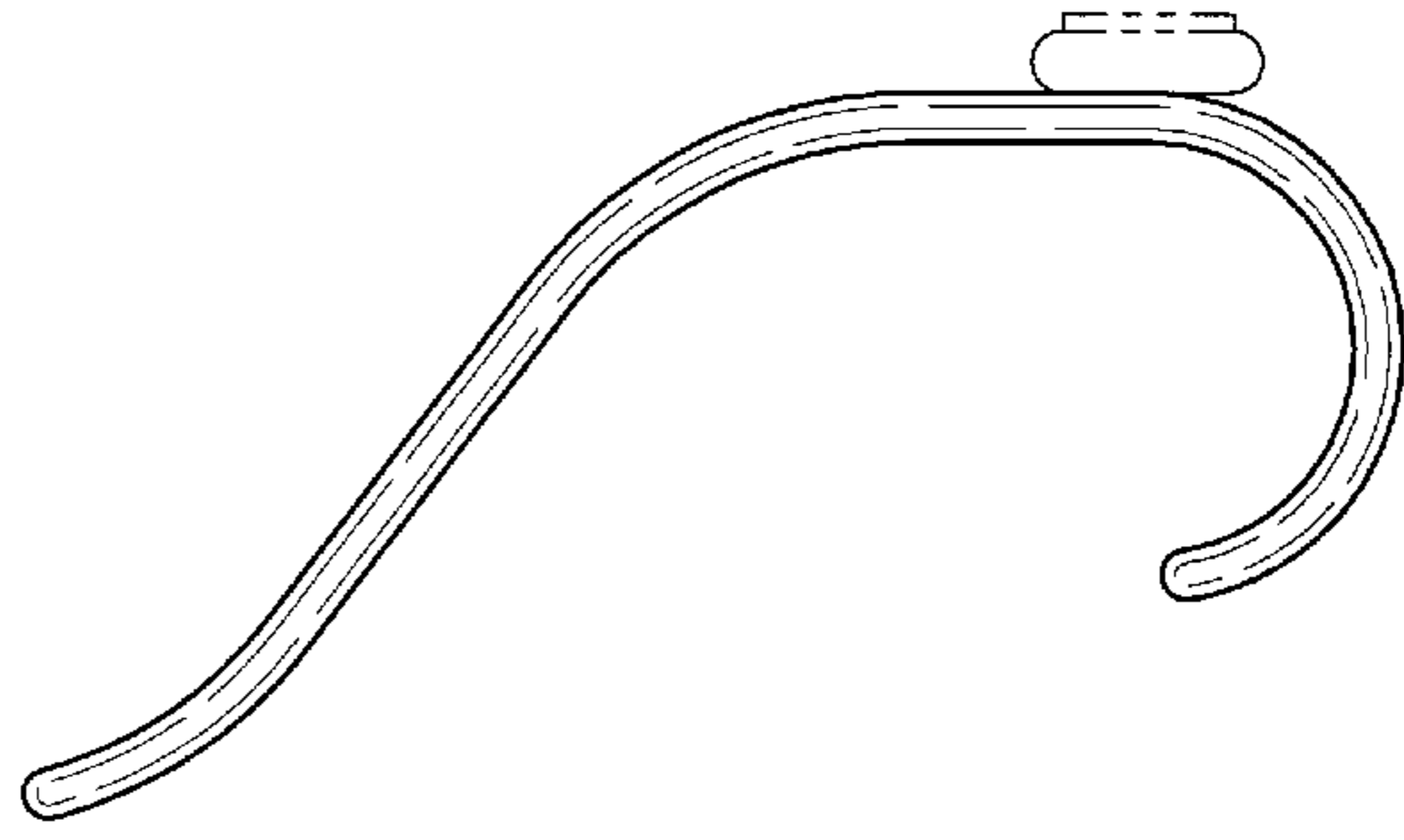


FIG-4

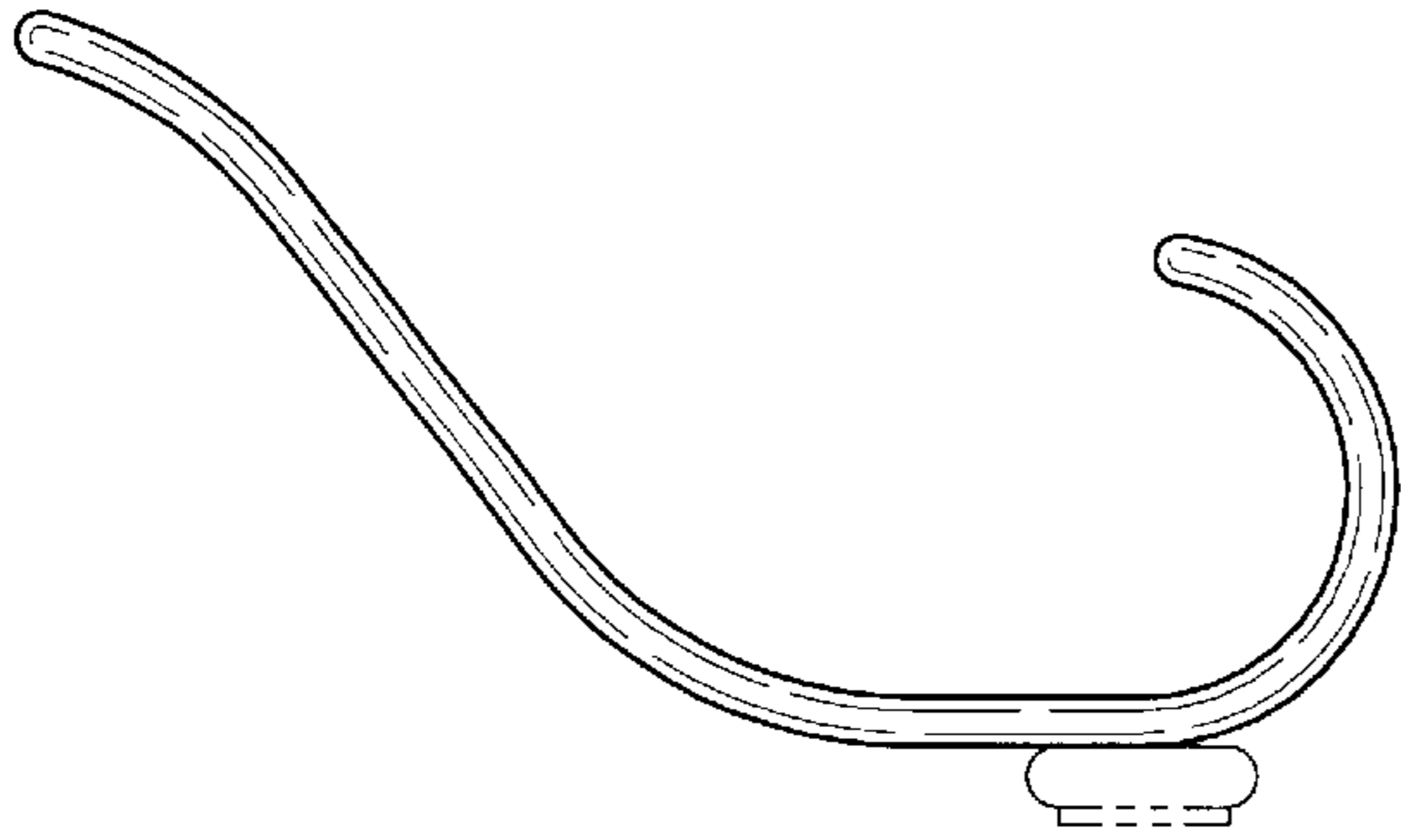


FIG-6

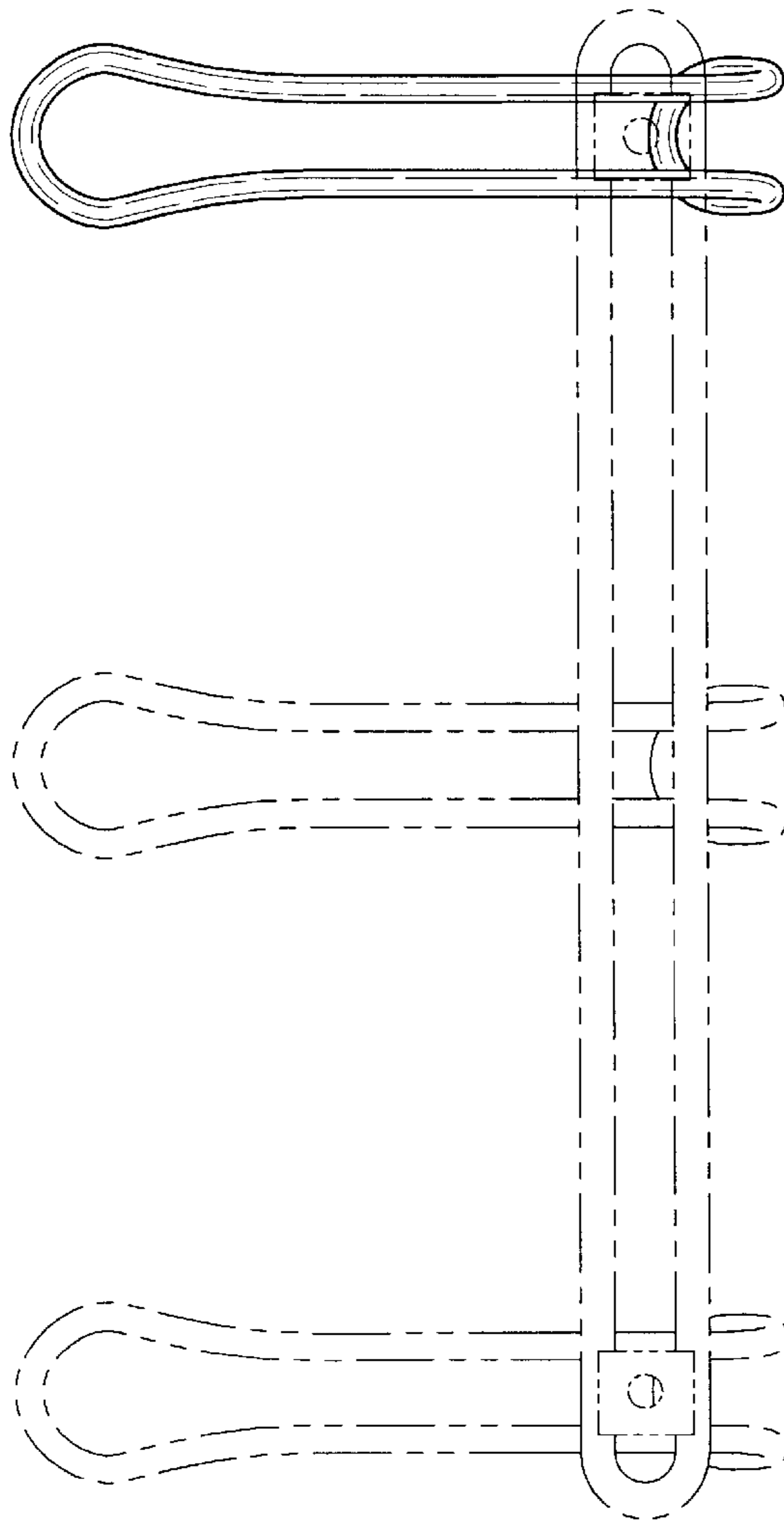


FIG-5

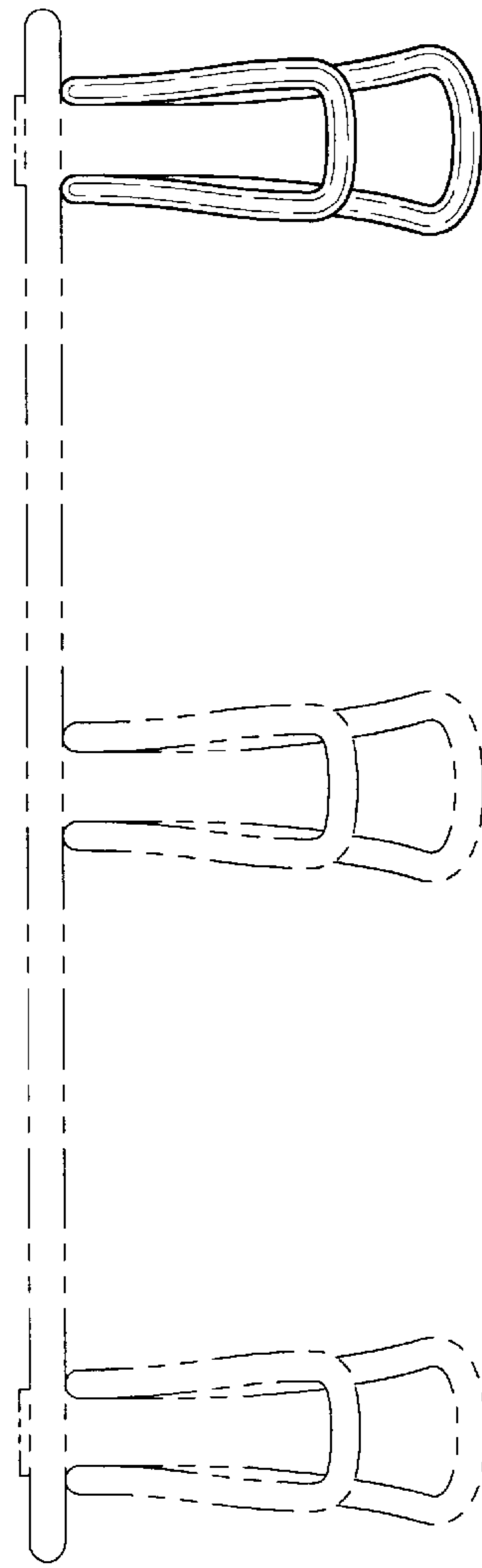


FIG-7