



US00D483654S

(12) **United States Design Patent**
Taylor

(10) **Patent No.:** **US D483,654 S**

(45) **Date of Patent:** **** Dec. 16, 2003**

(54) **DRIP HOSE HANGER**

(76) Inventor: **James H. Taylor**, 14311 Newport Ave., #G533, Tustin, CA (US) 92780

(**) Term: **14 Years**

(21) Appl. No.: **29/168,825**

(22) Filed: **Oct. 10, 2002**

(51) **LOC (7) Cl.** **08-08**

(52) **U.S. Cl.** **D8/356**

(58) **Field of Search** D8/349, 354, 356, D8/373, 380, 384, 394, 395; D24/128; D25/99; 24/455; 52/677, 678, 679, 682, 684, 685, 686, 687, 688, 689, 690, 693, 695, 696, 700, 740.1; 248/49, 58, 62, 63, 65, 74.1, 74.2, 75, 313, 316.1, 229.26

(56) **References Cited**

U.S. PATENT DOCUMENTS

3,318,457	A	*	5/1967	Krasnoff	248/313
3,521,332	A	*	7/1970	Kramer	248/229.26
D272,125	S	*	1/1984	Van Doren	D8/356
D295,723	S	*	5/1988	Shioda	D8/396
D306,553	S	*	3/1990	Rumpel	D8/395
5,005,793	A	*	4/1991	Shillington	248/231.181
5,018,260	A	*	5/1991	Ziu	248/74.1
5,423,501	A	*	6/1995	Yu	248/62
6,109,569	A	*	8/2000	Sakaida	248/75
D432,905	S	*	10/2000	Sutker et al.	D8/394
D438,449	S	*	3/2001	Taylor	D8/356
D457,239	S	*	5/2002	Kunik	D24/128

* cited by examiner

Primary Examiner—Doris V. Coles

Assistant Examiner—Elizabeth A. Albert

(74) *Attorney, Agent, or Firm*—Shlesinger, Arkwright & Garvey LLP

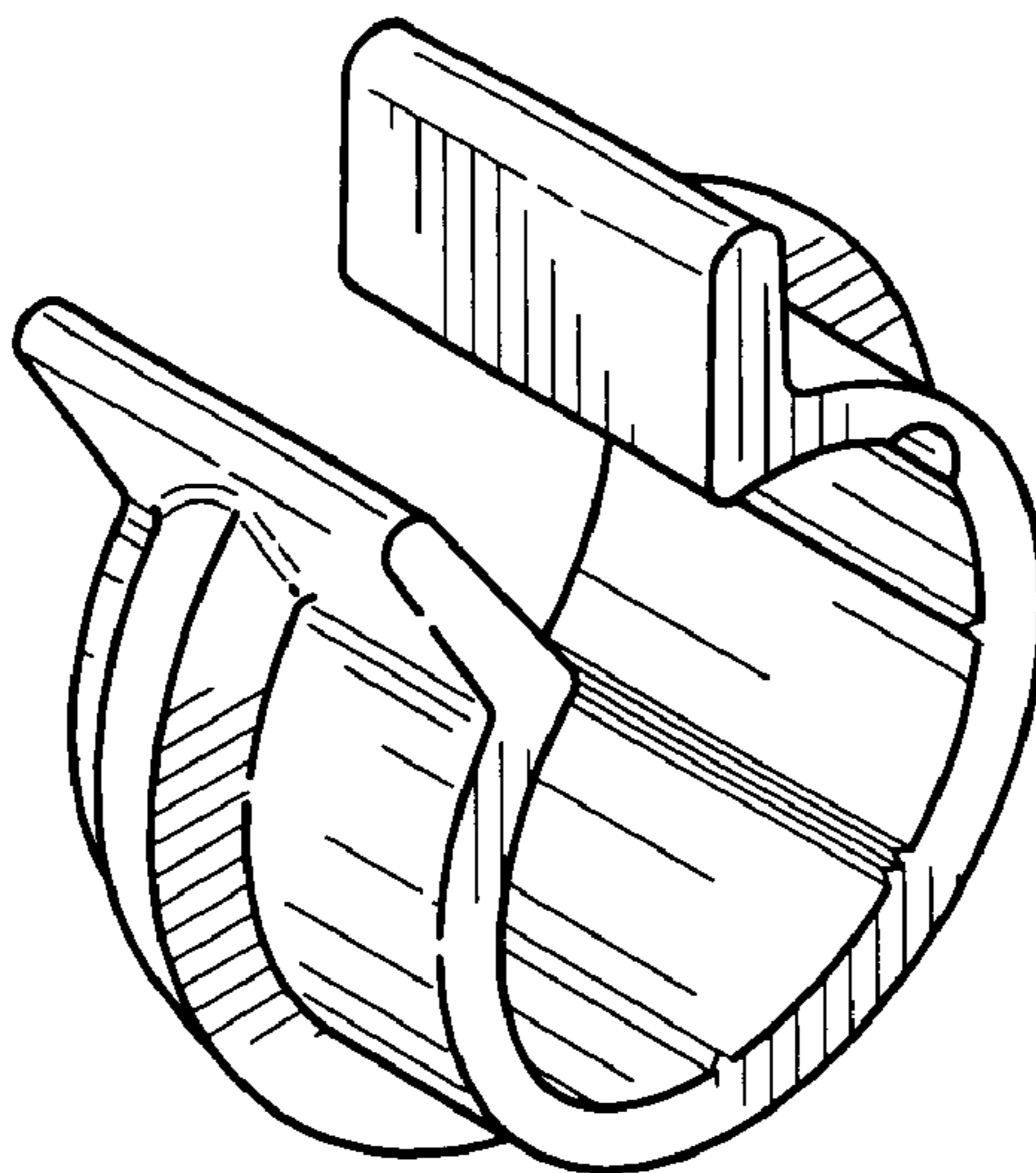
(57) **CLAIM**

The ornamental design for a drip hose hanger, as shown and described.

DESCRIPTION

FIG. 1 is a perspective view of drip hose hanger showing my new design;
 FIG. 2 is a right side elevational view of FIG. 1;
 FIG. 3 is a left elevational view of FIG. 1;
 FIG. 4 is a top view of FIG. 2;
 FIG. 5 is a bottom view of FIG. 2;
 FIG. 6 is a right side view of FIG. 2;
 FIG. 7 is a left side view of FIG. 2;
 FIG. 8 is a perspective view of drip hose hanger showing an alternative embodiment of my new design;
 FIG. 9 is a right side elevational view of FIG. 8;
 FIG. 10 is a left elevational view of FIG. 8;
 FIG. 11 is a top view of FIG. 9;
 FIG. 12 is a bottom view of FIG. 9;
 FIG. 13 is a right side view of FIG. 9; and,
 FIG. 14 is a left side view of FIG. 9.
 The notch shown in phantom lines does not form a part of the claimed design.

1 Claim, 2 Drawing Sheets



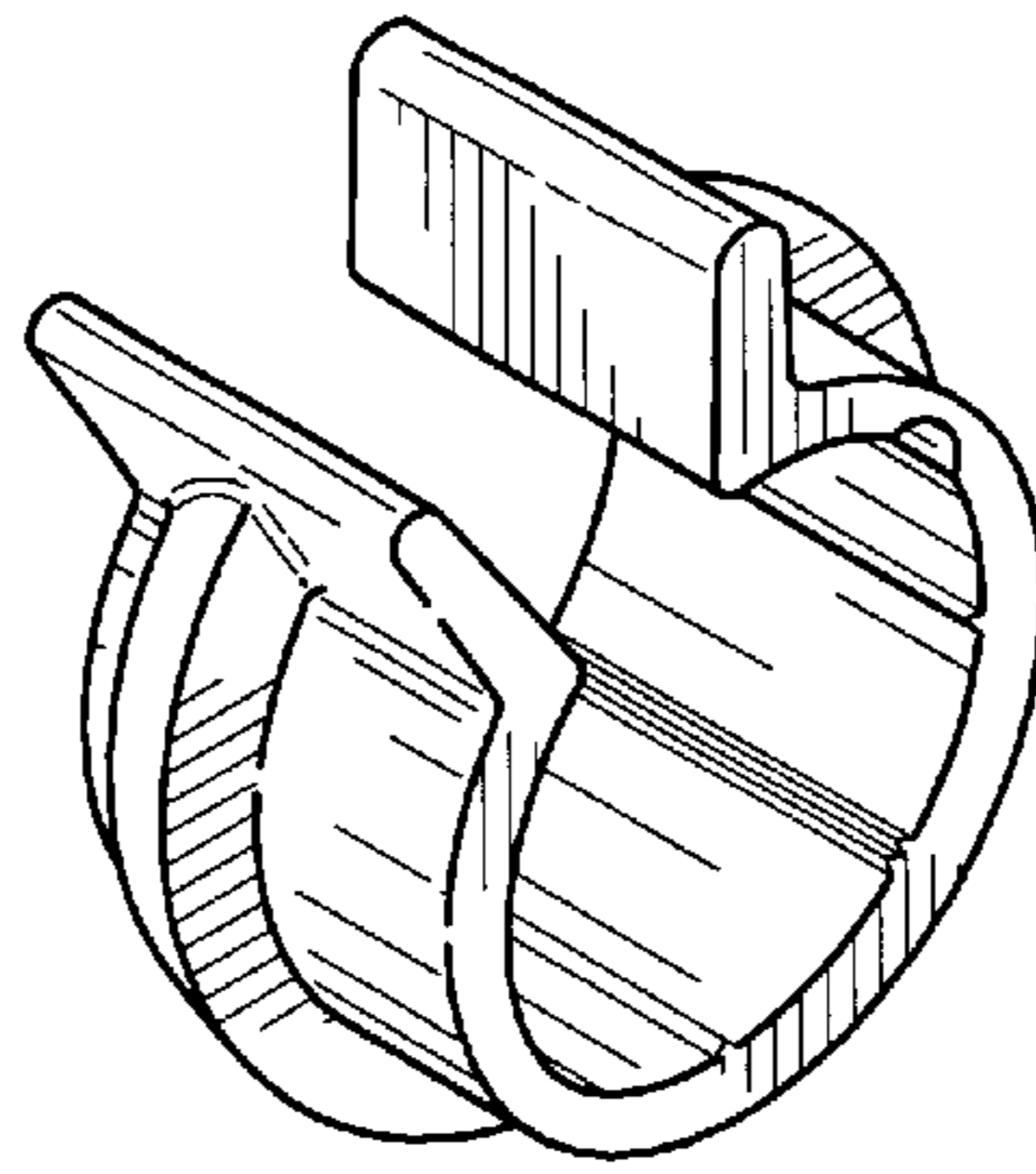


FIG. 1

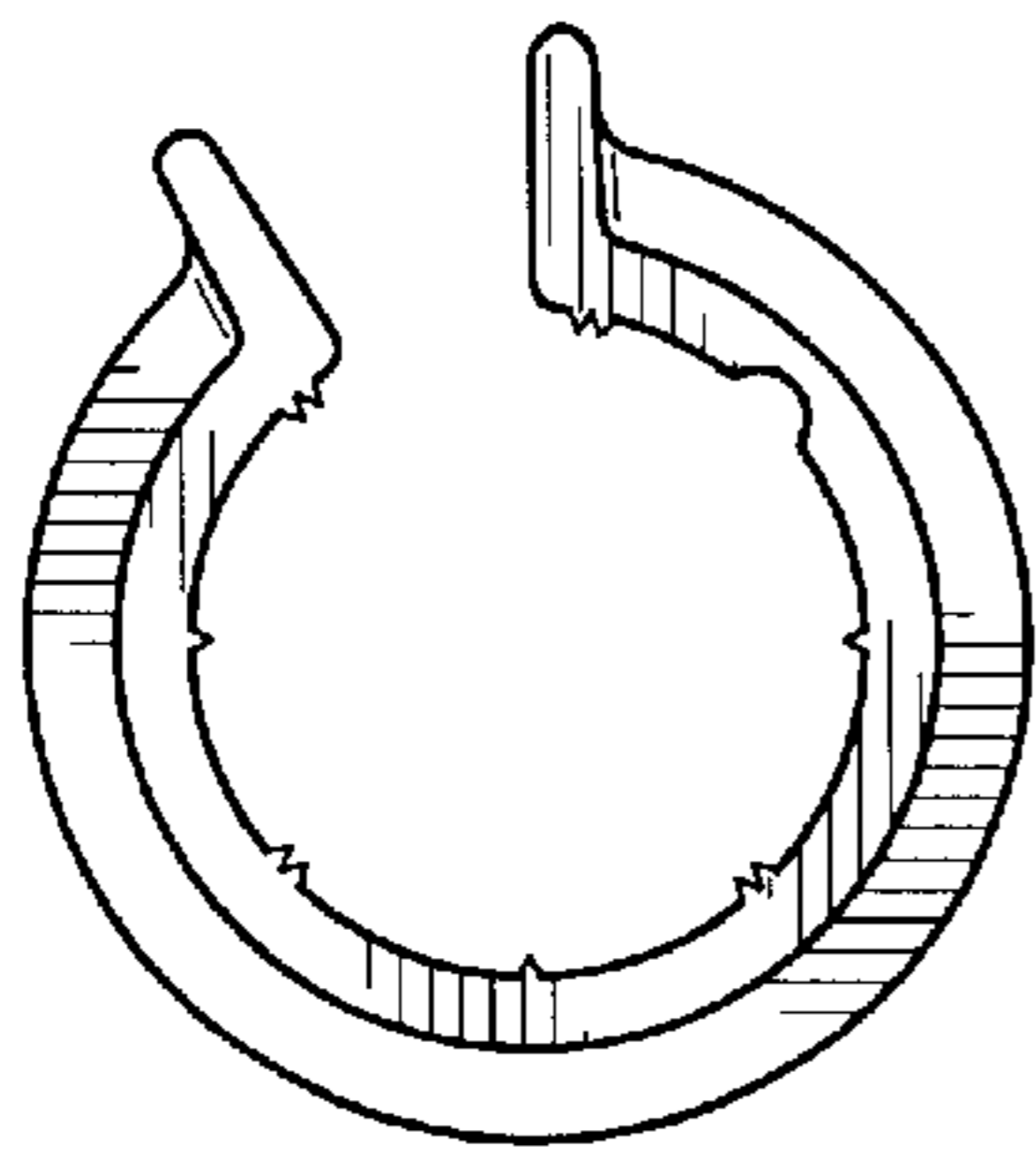


FIG. 2

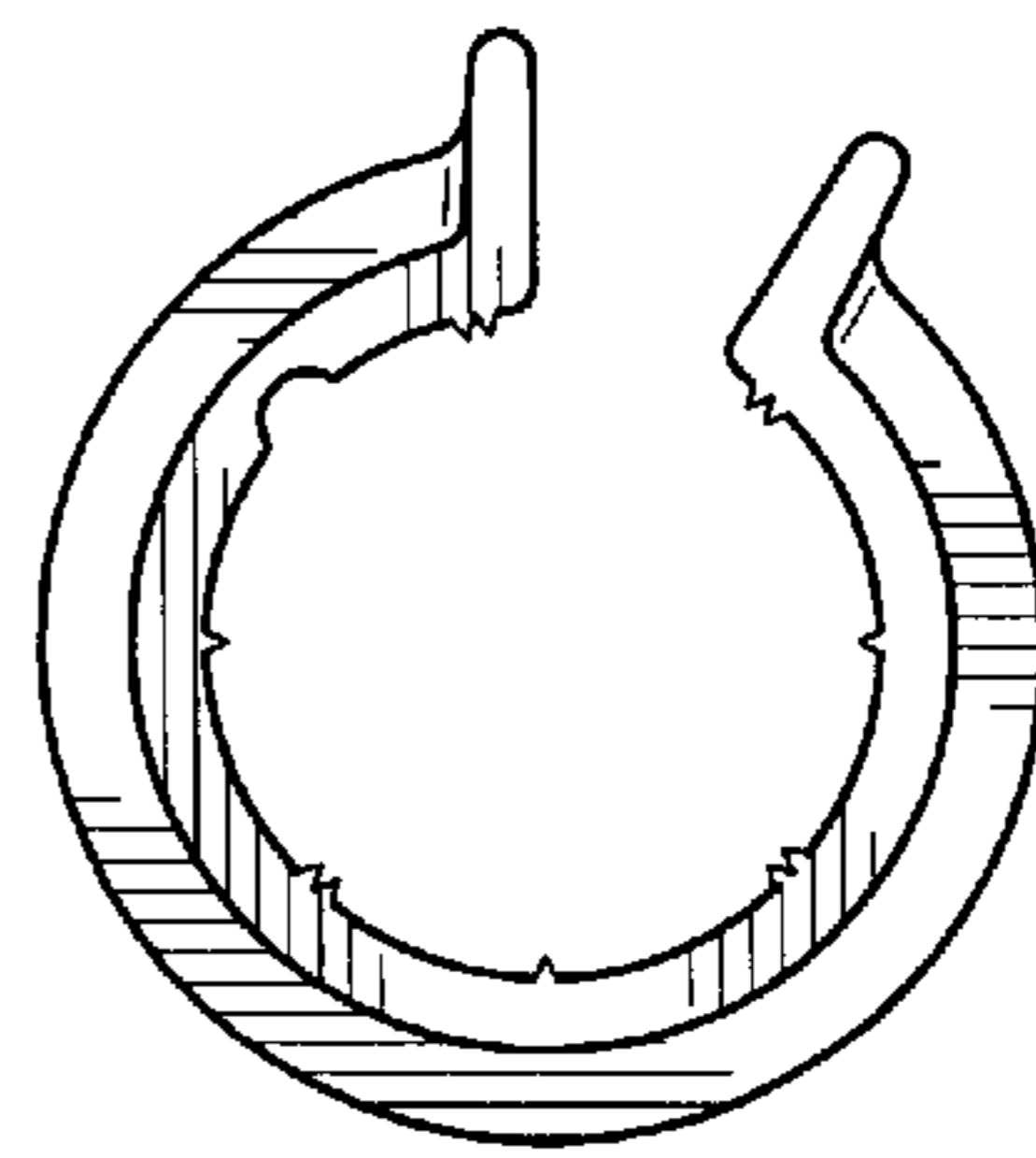


FIG. 3

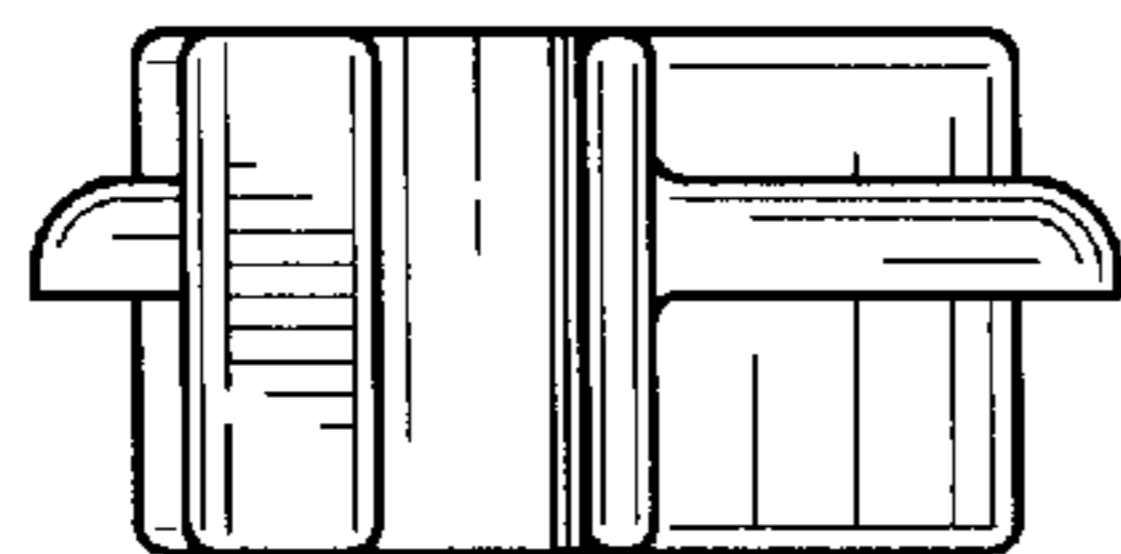


FIG. 4



FIG. 5

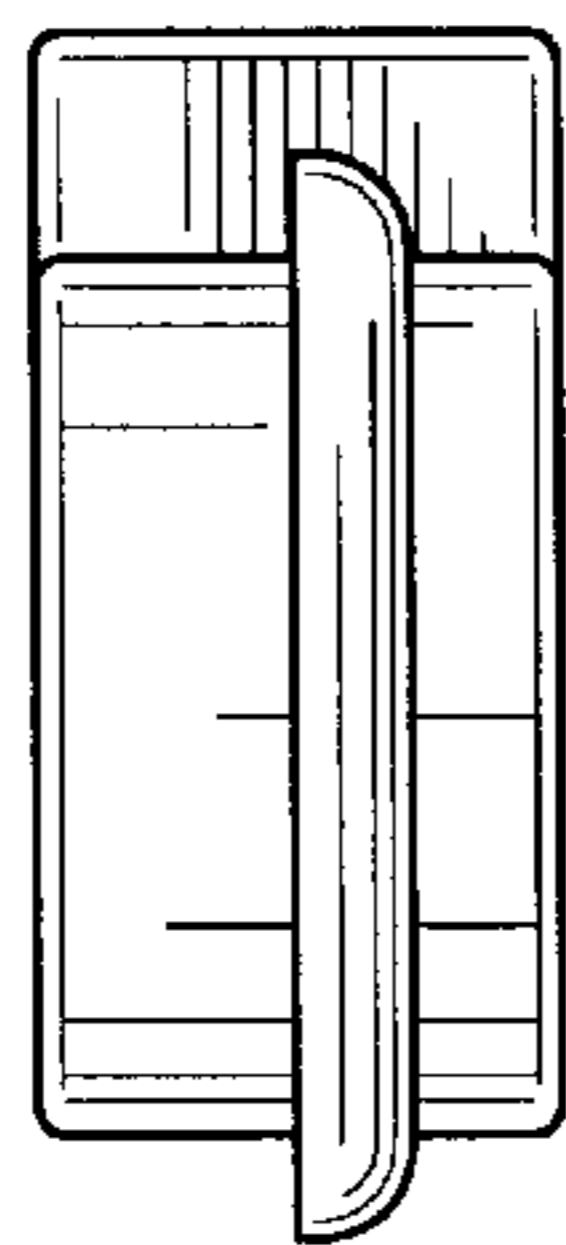


FIG. 6

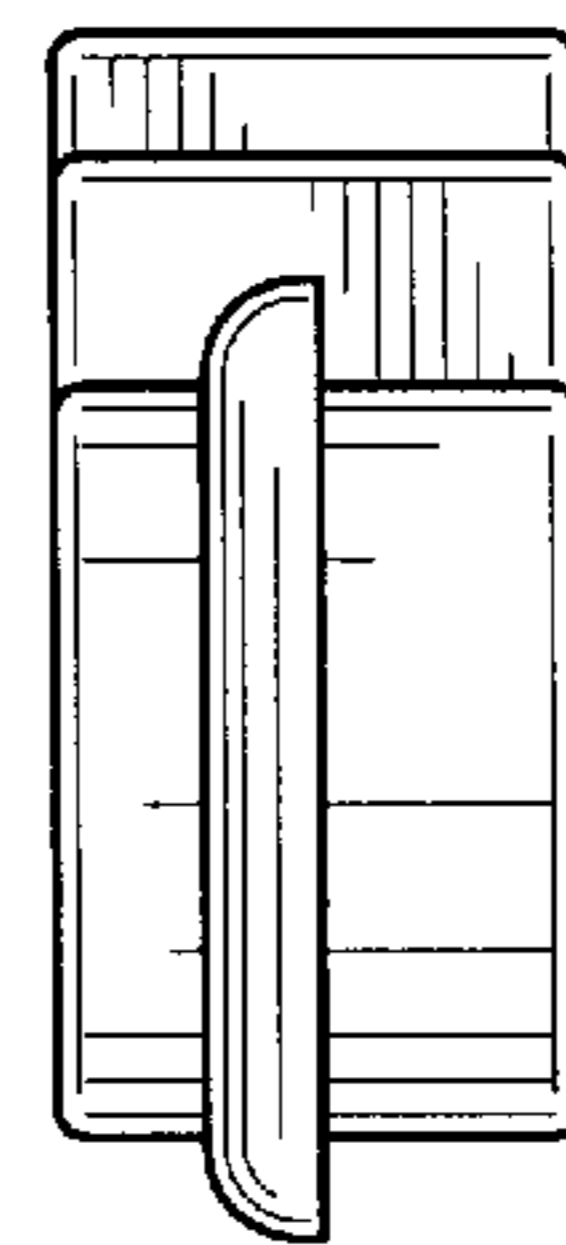


FIG. 7

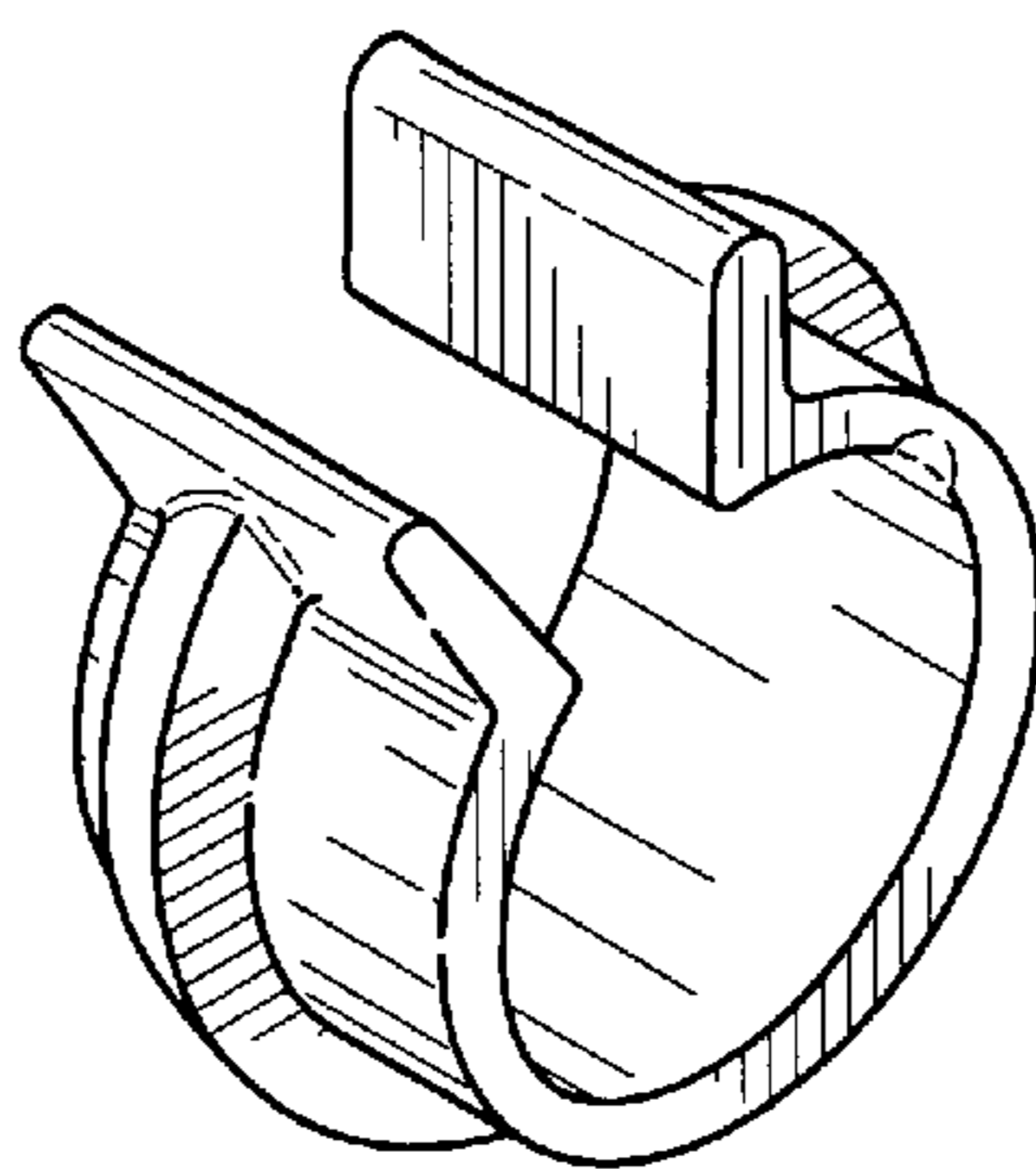


FIG. 8

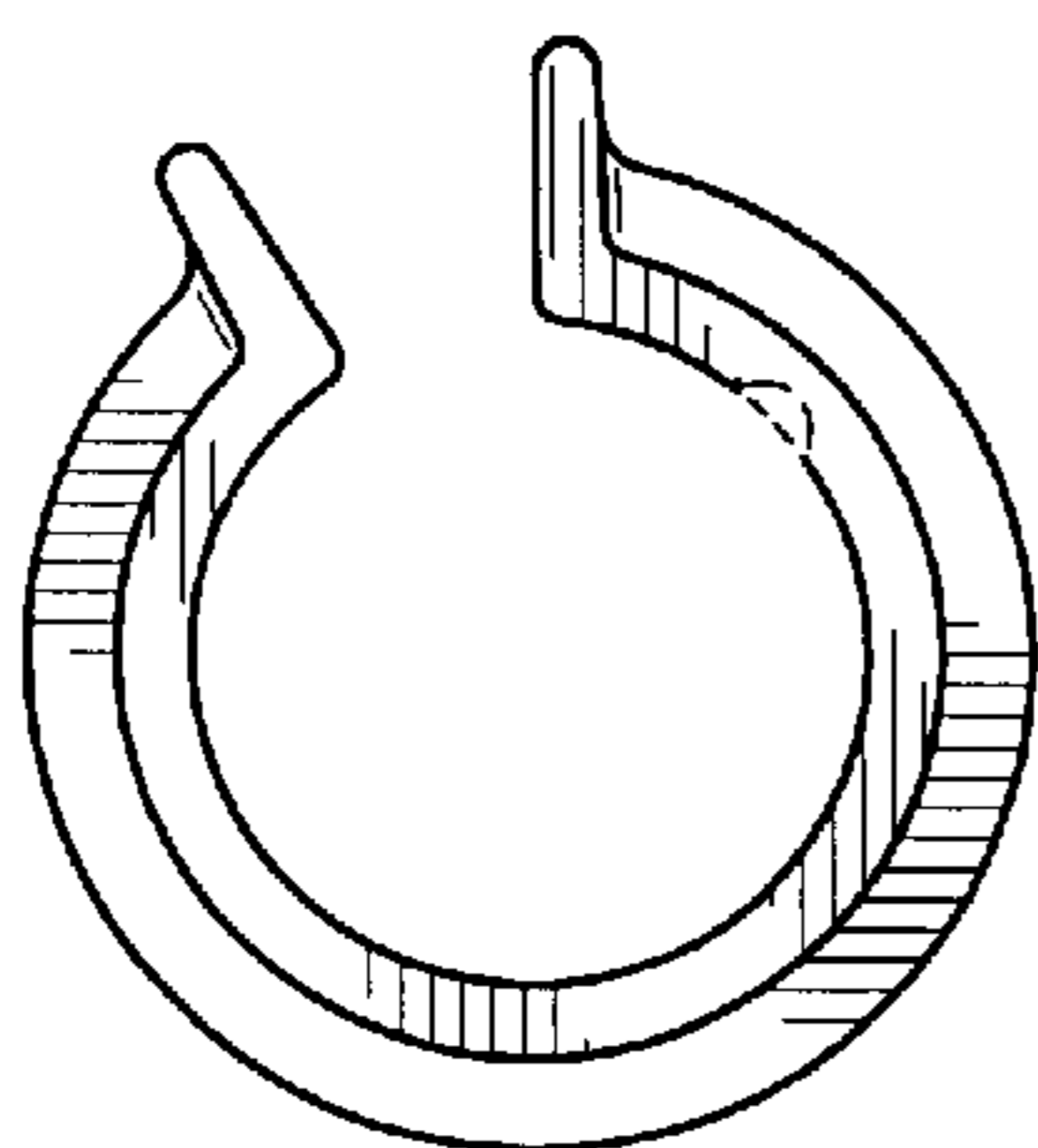


FIG. 9

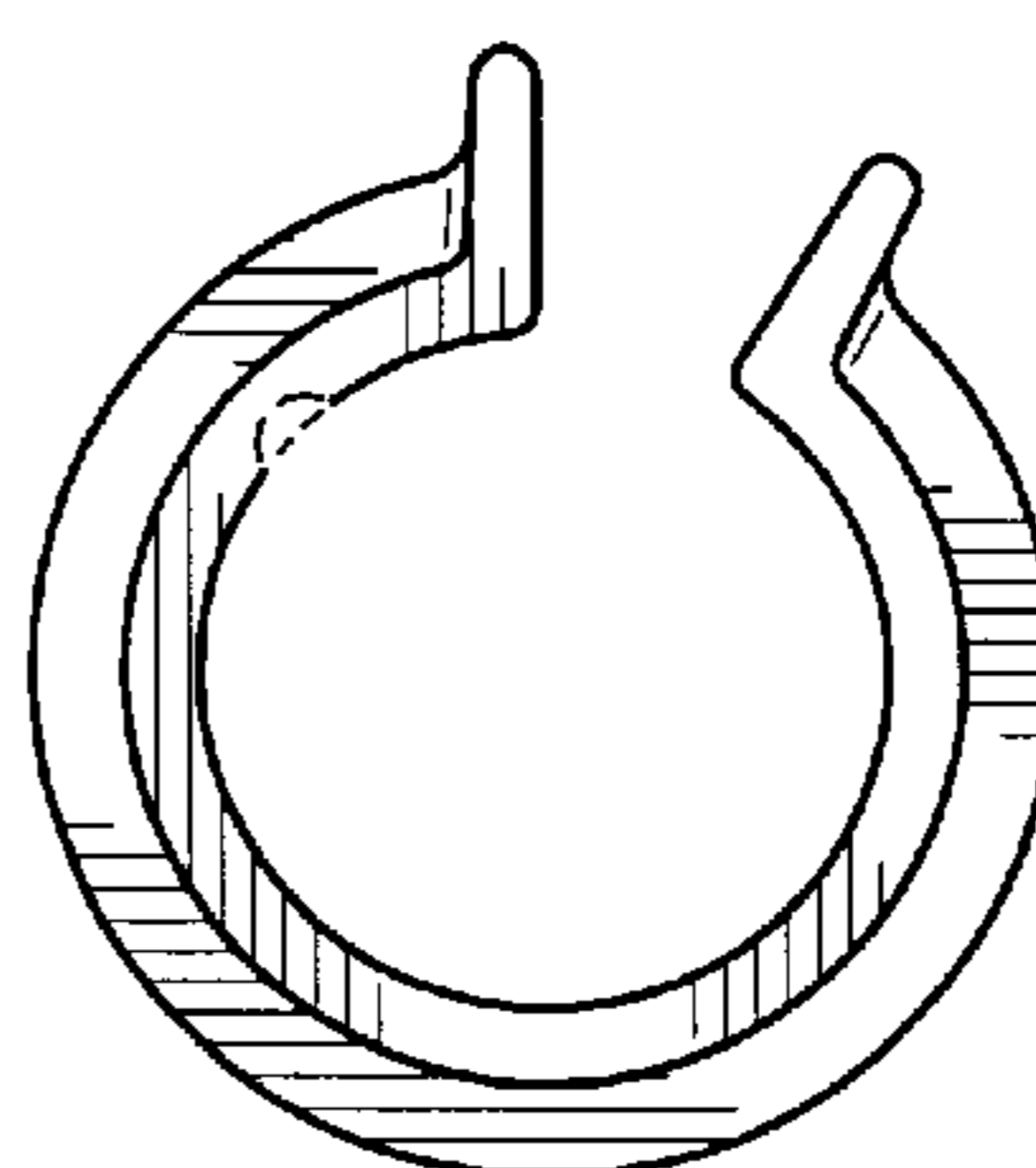


FIG. 10

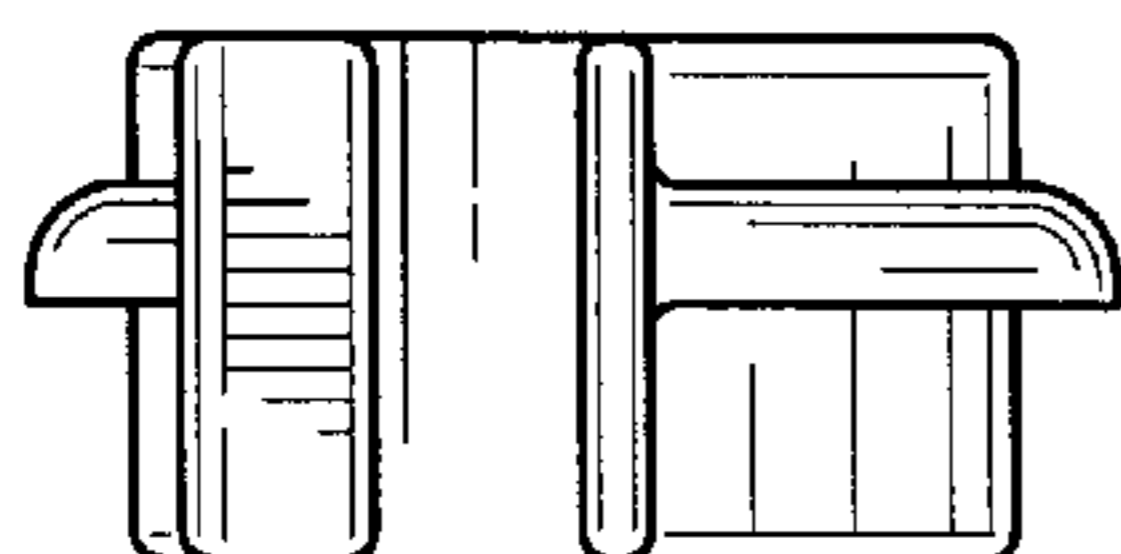


FIG. 11

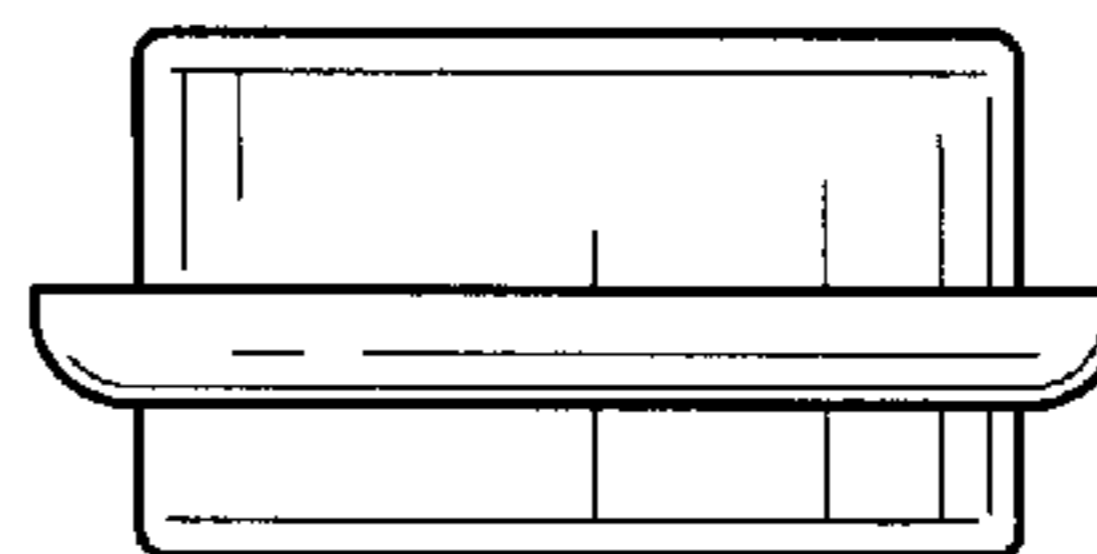


FIG. 12

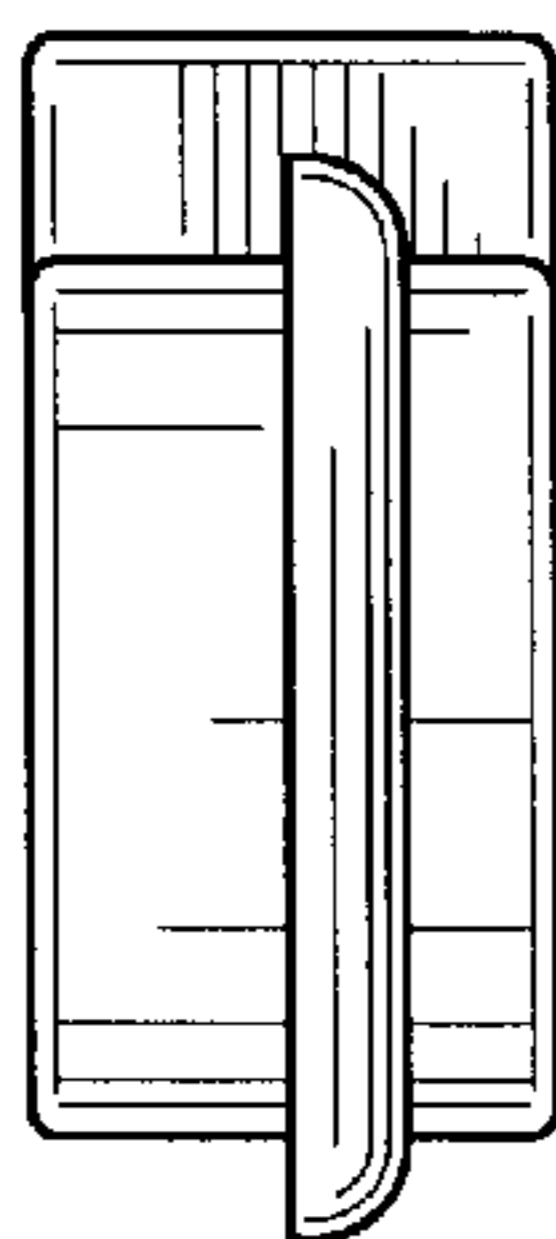


FIG. 13

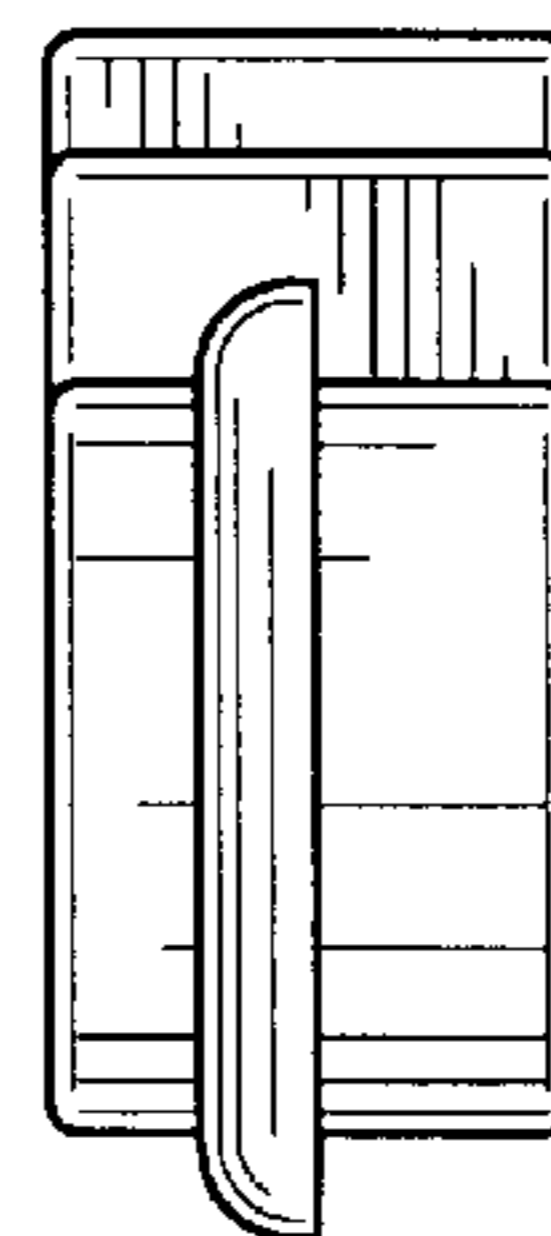


FIG. 14