



US00D483653S

(12) **United States Design Patent**
Immerman

(10) **Patent No.:** **US D483,653 S**

(45) **Date of Patent:** **** Dec. 16, 2003**

(54) **ADAPTER FOR AN OVER THE DOOR HOOK**

(75) **Inventor:** **Robert A. Immerman**, Moreland Hills, OH (US)

(73) **Assignee:** **InterDesign, Inc.**, Solon, OH (US)

(**) **Term:** **14 Years**

(21) **Appl. No.:** **29/180,238**

(22) **Filed:** **Apr. 21, 2003**

Related U.S. Application Data

(63) Continuation of application No. 10/132,534, filed on Apr. 24, 2002.

(51) **LOC (7) Cl.** **08-08**

(52) **U.S. Cl.** **D8/354**

(58) **Field of Search** D8/349, 350, 353, D8/354, 373, 380, 400, 374; 174/50, 50.51, 52.1, 53, 55, 66; D13/154, 156, 158, 177; 16/402; 52/3, 27, 38, 92.2, 100, 213, 215, 216, 217, 698, 707, 708, 717.01, 745.06; 220/315, 341; 248/27.1, 188.2, 188.4, 231.9, 309.1, 342, 346.01, 682; 439/135, 536, 537, 718; 446/102, 123, 128

(56) **References Cited**

U.S. PATENT DOCUMENTS

- 1,420,724 A 6/1922 Marona et al.
- 1,604,237 A * 10/1926 Platt 174/53
- 2,029,575 A * 2/1936 Kochner 248/346.01
- 2,459,747 A * 1/1949 Kolbe 285/200
- 2,463,780 A * 3/1949 Korrol 248/346.01
- 2,534,067 A 12/1950 Rubin
- 3,950,054 A * 4/1976 Ward et al. 439/135
- 4,061,371 A * 12/1977 Prather et al. 292/198
- D265,967 S * 8/1982 Newman D8/350
- 4,387,873 A 6/1983 Pavlo et al.
- 4,503,692 A * 3/1985 Grint 16/402
- 4,550,534 A * 11/1985 Mariano et al. 220/315
- 4,728,069 A 3/1988 Semcer
- 4,817,239 A 4/1989 Campbell

- 5,094,417 A 3/1992 Creed
- D342,889 S 1/1994 Adams
- D343,112 S 1/1994 Corbin
- 5,386,905 A * 2/1995 Porter 52/3
- 5,413,297 A 5/1995 Adams
- 5,535,971 A 7/1996 Adams
- 5,556,289 A * 9/1996 Holbrook, Jr. 439/135
- D377,309 S 1/1997 Hofman
- 5,603,184 A 2/1997 Campbell et al.
- 5,607,131 A 3/1997 Adams

(List continued on next page.)

OTHER PUBLICATIONS

“InterDesign, Inc. Product Brochure—Storage Organization”, p. 11 and the back cover.

Primary Examiner—Robert M. Spear

Assistant Examiner—Elizabeth A. Albert

(74) *Attorney, Agent, or Firm*—D. Peter Hochberg; Sean Mellino; Katherine R. Vieyra

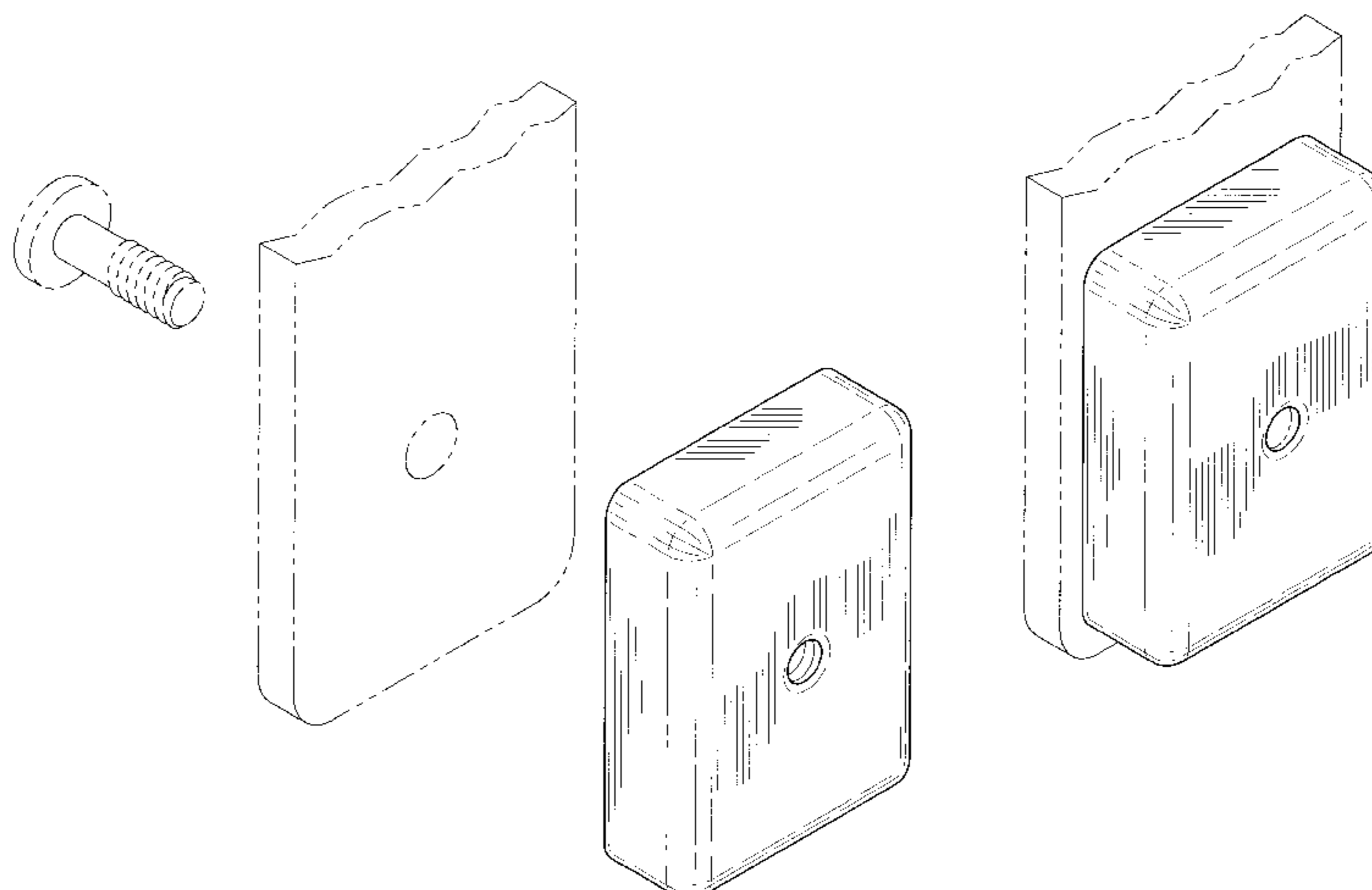
(57) **CLAIM**

The ornamental design for an adapter for an over the door hook, as shown and described.

DESCRIPTION

FIG. 1 is an exploded view of the adapter for an over the door hook according to the invention;
 FIG. 2 is a perspective view of the adapter for an over the door hook according to the invention;
 FIG. 3 is a top view of the adapter for an over the door hook as shown in FIG. 2;
 FIG. 4 is a front view of the adapter for an over the door hook as shown in FIG. 2;
 FIG. 5 is a side view of the adapter for an over the door hook as shown in FIG. 2;
 FIG. 6 is a rear view of the adapter for an over the door hook as shown in FIG. 2;
 FIG. 7 is a side view of the adapter for an over the door hook as shown in FIG. 2, shown from the opposite side of that shown in FIG. 5; and,
 FIG. 8 is a bottom view of the adapter for an over the door hook as shown in FIG. 2.

1 Claim, 2 Drawing Sheets



US D483,653 S

Page 2

U.S. PATENT DOCUMENTS

5,675,125 A *	10/1997	Hollinger	220/241	D421,713 S	3/2000	Snell	
5,786,548 A *	7/1998	Fanucchi et al.	174/50.54	D422,198 S	4/2000	Snell	
D397,565 S	9/1998	Klein et al.		D446,108 S	8/2001	Snell	
5,880,401 A *	3/1999	Leischner et al.	174/66	6,302,365 B1	10/2001	Catanzarite et al.	
D411,436 S	6/1999	Krehel		6,345,796 B1	2/2002	Neuman	
D411,701 S	6/1999	Klein et al.		D460,681 S *	7/2002	Edwards	D8/354
5,931,431 A *	8/1999	Stinnett	248/313				

* cited by examiner

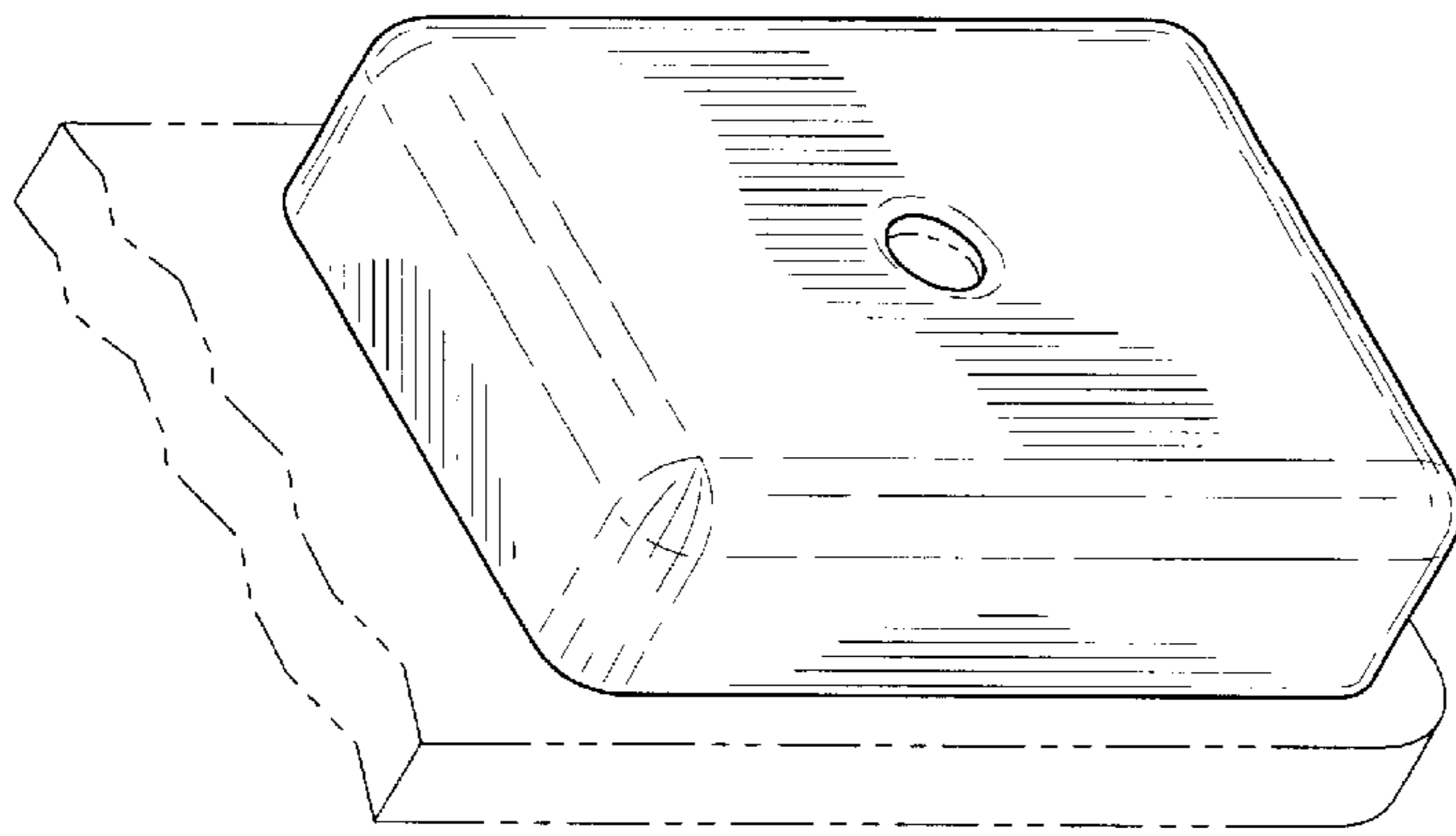


FIG-2

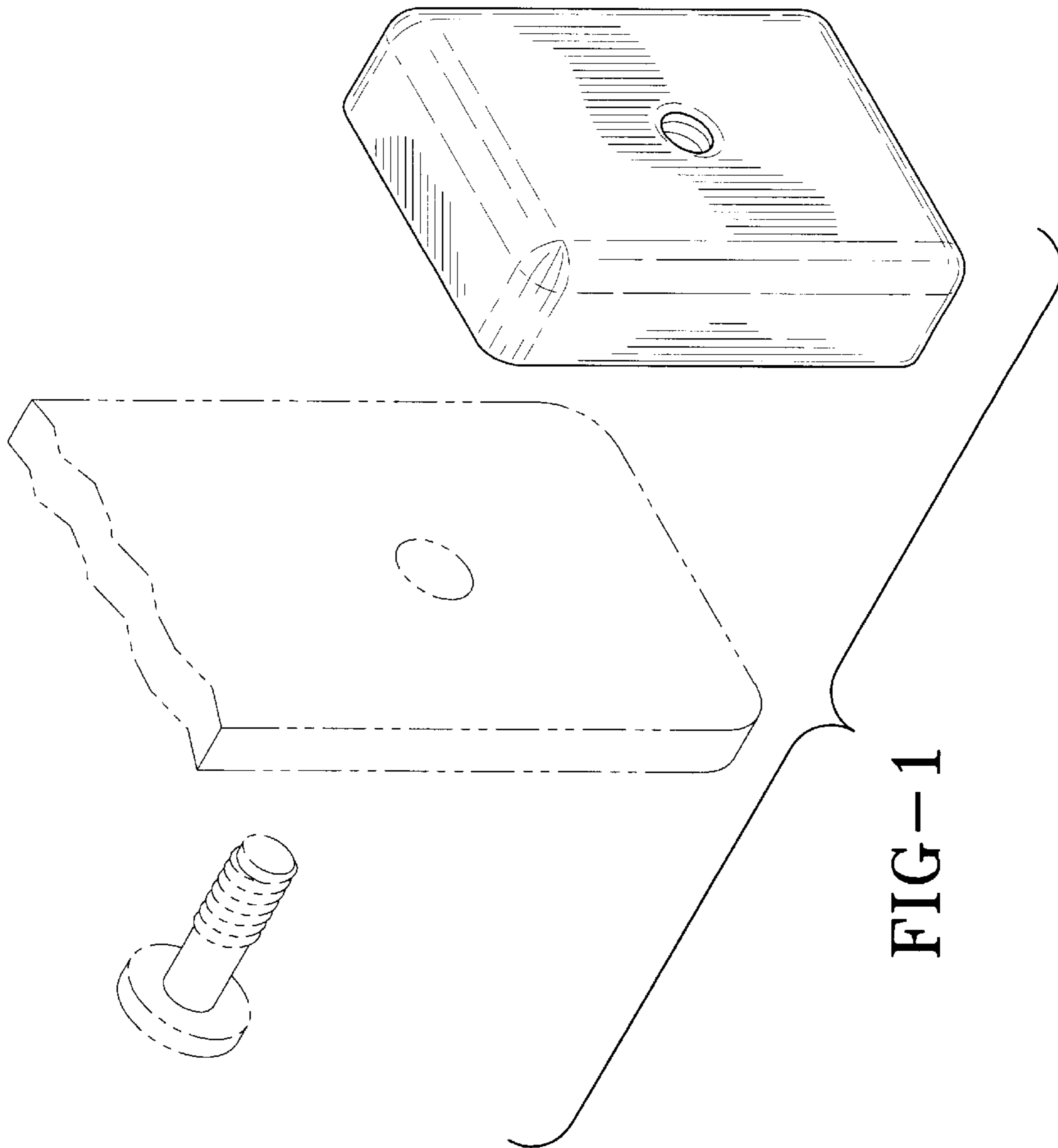


FIG-1

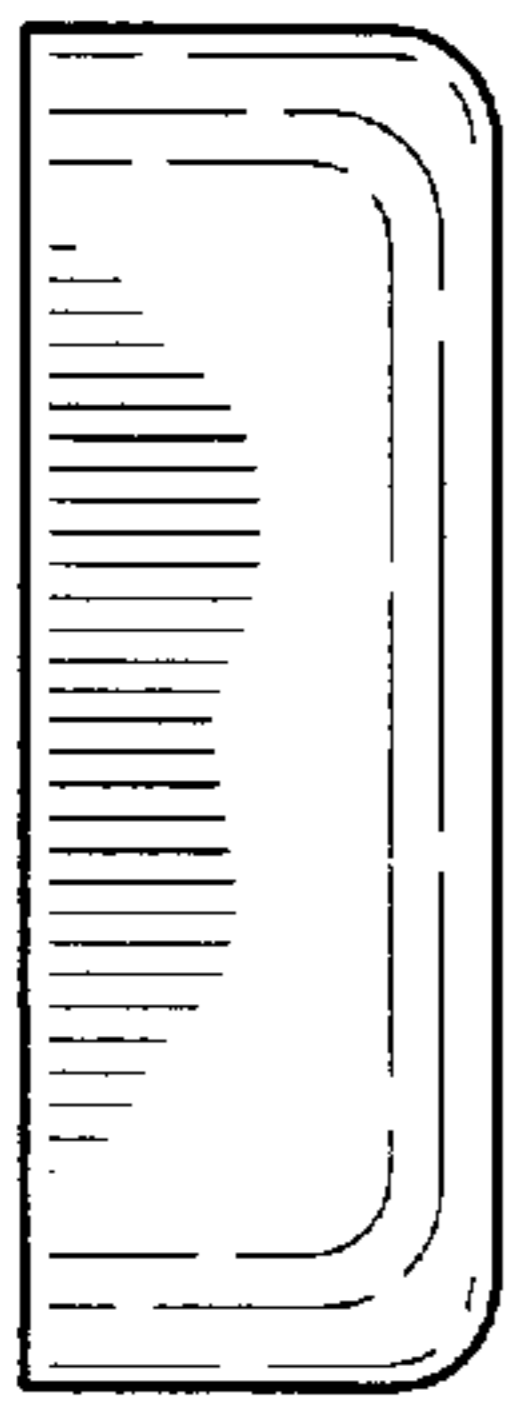


FIG-3

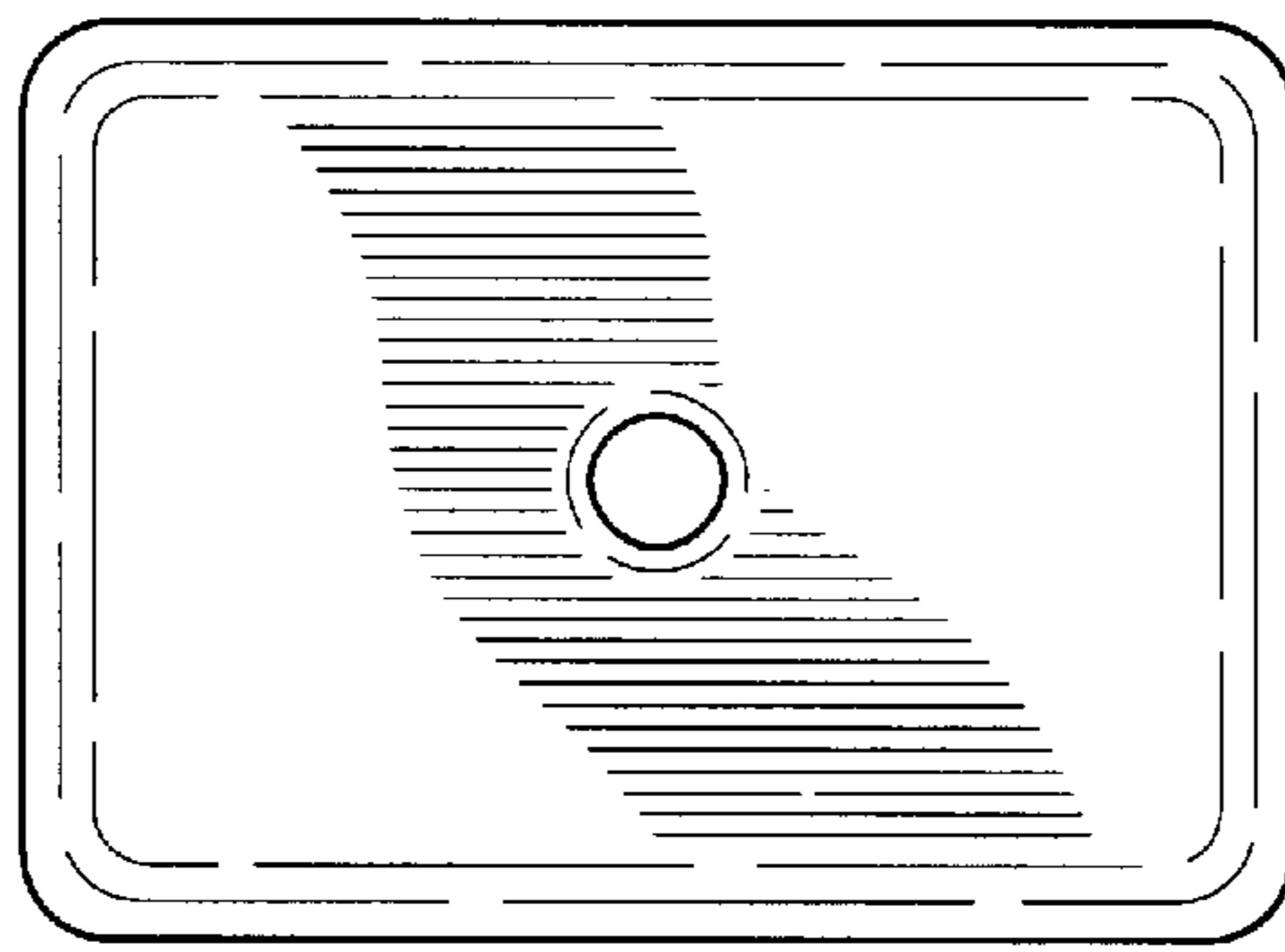


FIG-4

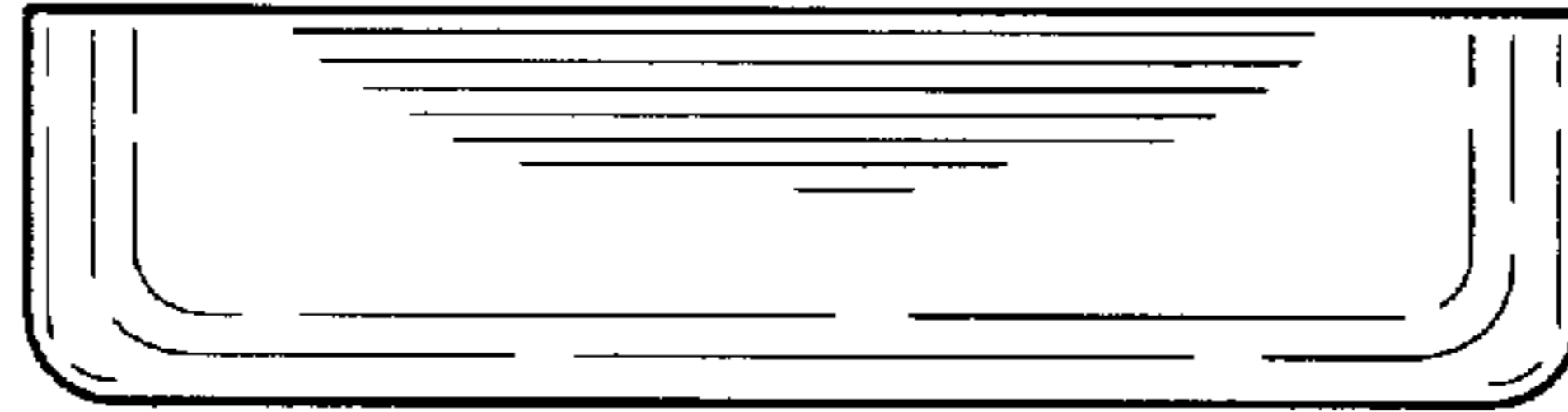


FIG-5

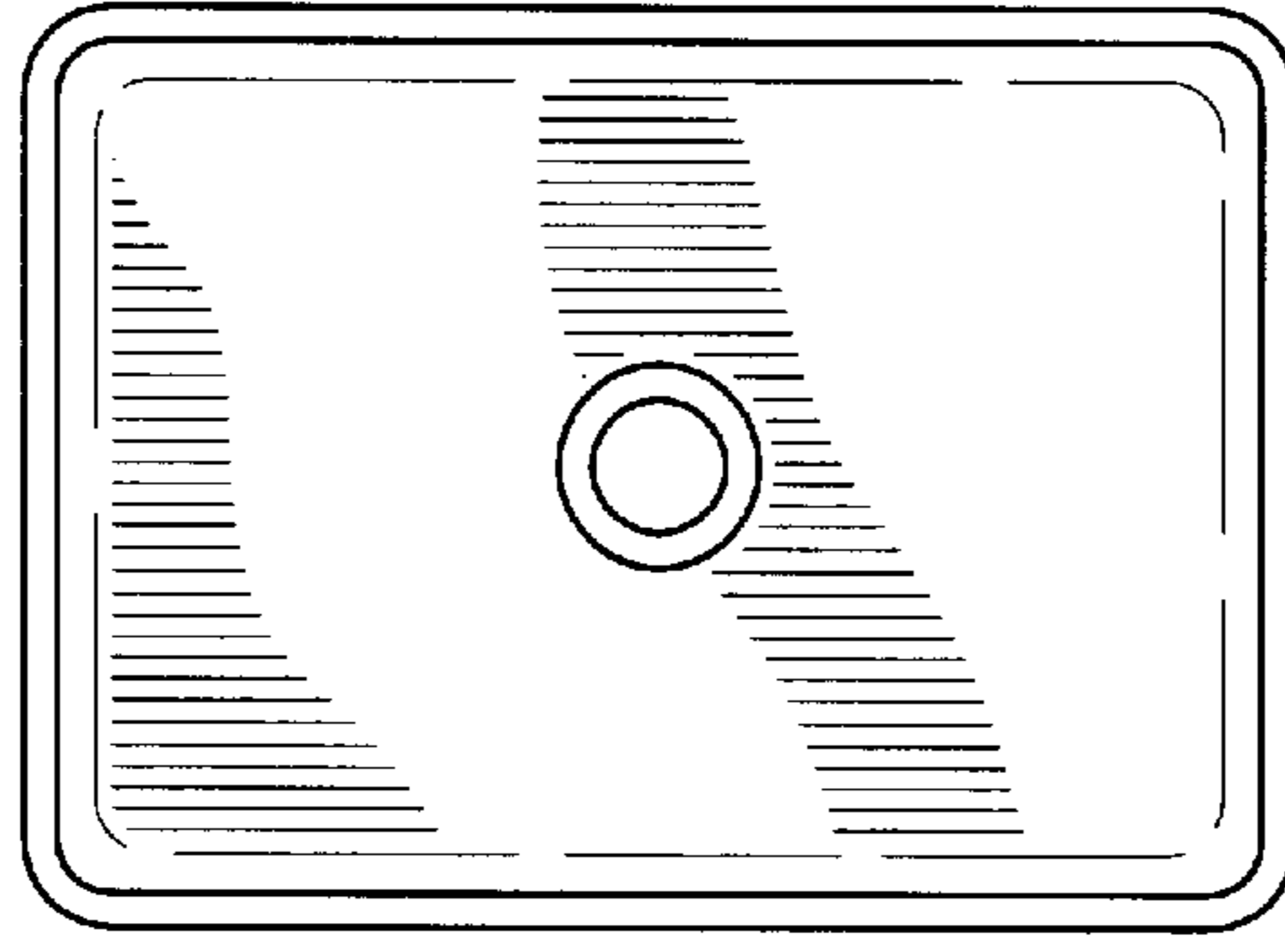


FIG-6

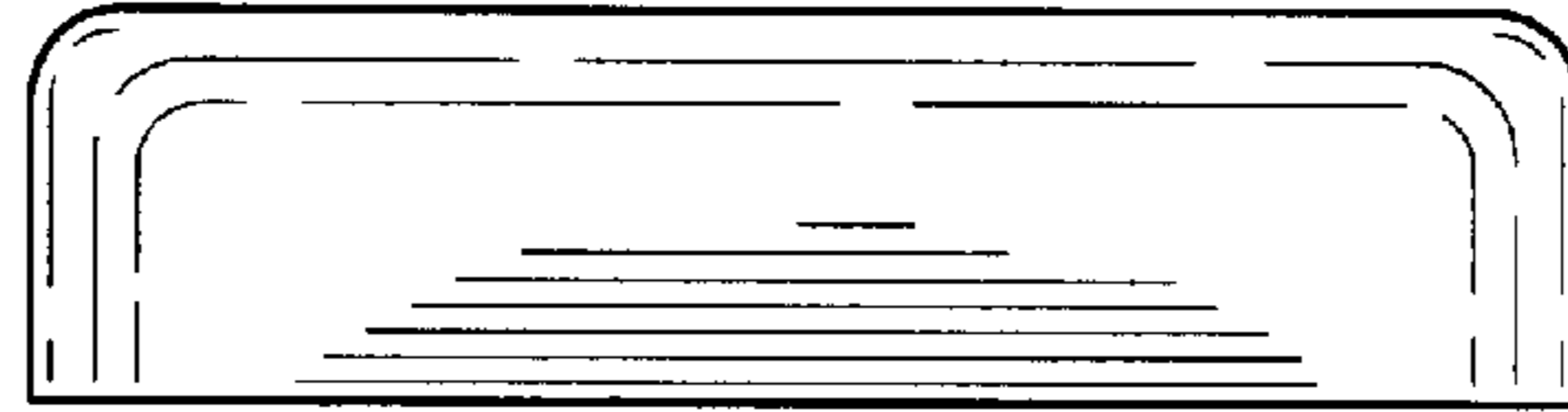


FIG-7

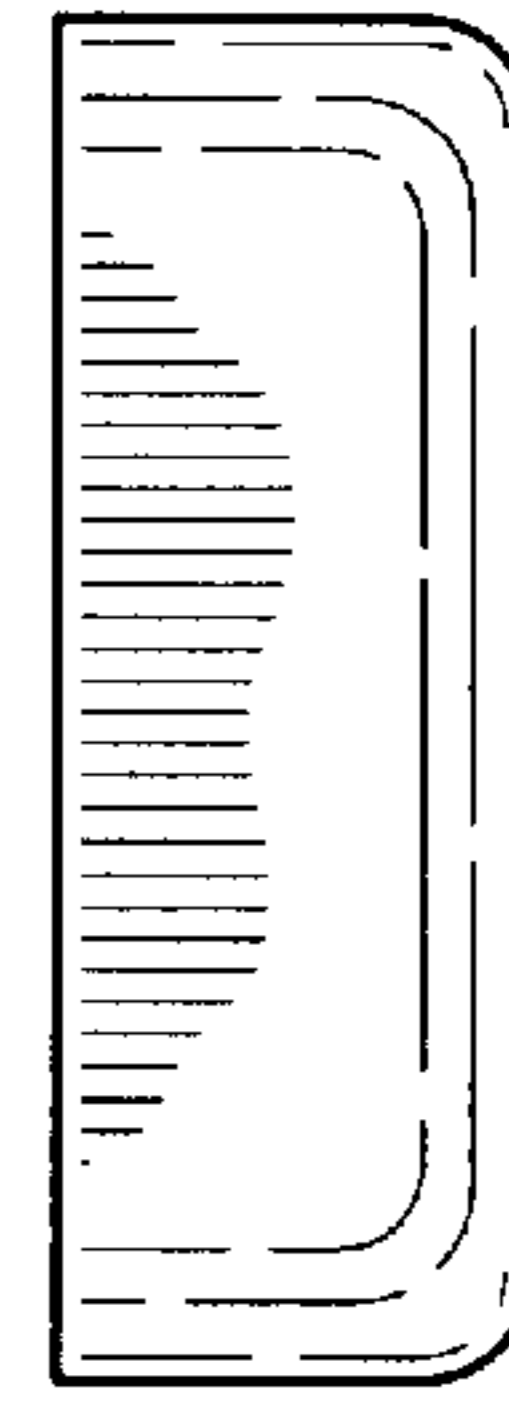


FIG-8