



US00D483650S

(12) **United States Design Patent**
Squillante et al.

(10) **Patent No.:** **US D483,650 S**

(45) **Date of Patent:** **** Dec. 16, 2003**

(54) **ILLUMINATING MOUNT SYSTEM FOR BALLISTIC SHIELDS AND OTHER ASSAULT TYPE PROTECTIVE SHIELDS**

D415,239 S * 10/1999 Fell et al. D22/110
D444,531 S * 7/2001 Squillante et al. D22/110
6,286,797 B1 * 9/2001 Thaxton 248/229.14

(76) Inventors: **Michael Jon Squillante**, 1353 Unter Ave. NW., Palm Bay, FL (US) 32907;
Oscar Michener Fell, 64 Yacht Haven Dr., Cocoa Beach, FL (US) 32931

* cited by examiner

Primary Examiner—Doris V. Coles
Assistant Examiner—Elizabeth A. Albert

(**) Term: **14 Years**

(57) **CLAIM**

(21) Appl. No.: **29/153,412**

The ornamental design for a illuminating mount system for ballistic shields and other assault type protective shields, as shown and described.

(22) Filed: **Jan. 9, 2002**

DESCRIPTION

(51) **LOC (7) Cl.** **08-08**

(52) **U.S. Cl.** **D8/349**

(58) **Field of Search** D8/349, 354, 363, D8/373, 380, 394; D22/110; 42/124, 146; 248/65, 122.1, 124.2, 200, 201, 205.1, 214, 220.21, 230.9, 300, 316.1, 674, 689

FIG. 1 is a right elevation view thereof;
FIG. 2 is a top elevation view thereof;
FIG. 3 is a bottom elevation view thereof;
FIG. 4 is a left elevation view thereof;
FIG. 5 is a rear elevation view thereof;
FIG. 6 is a front elevation view thereof; and,
FIG. 7 is a top, rear, right side perspective view of the embodiment of the invention.

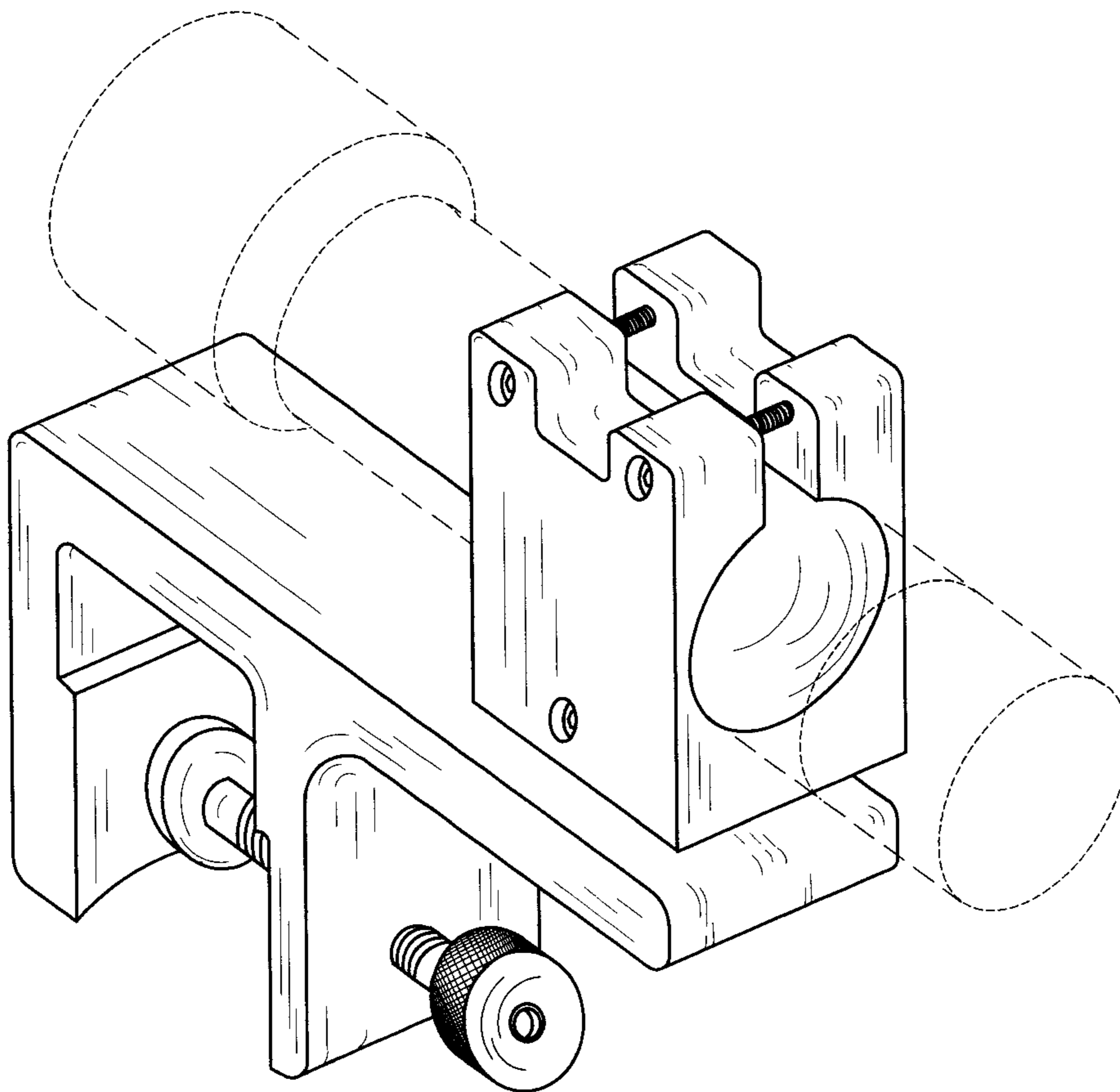
(56) **References Cited**

U.S. PATENT DOCUMENTS

D140,862 S * 4/1945 Conlan D8/394
2,958,110 A * 11/1960 McBrien 248/124.2
5,911,395 A * 6/1999 Hussaini 248/206.3

The flashlight is shown in broken lines in FIG. 7 for illustrative purposes only.

1 Claim, 3 Drawing Sheets



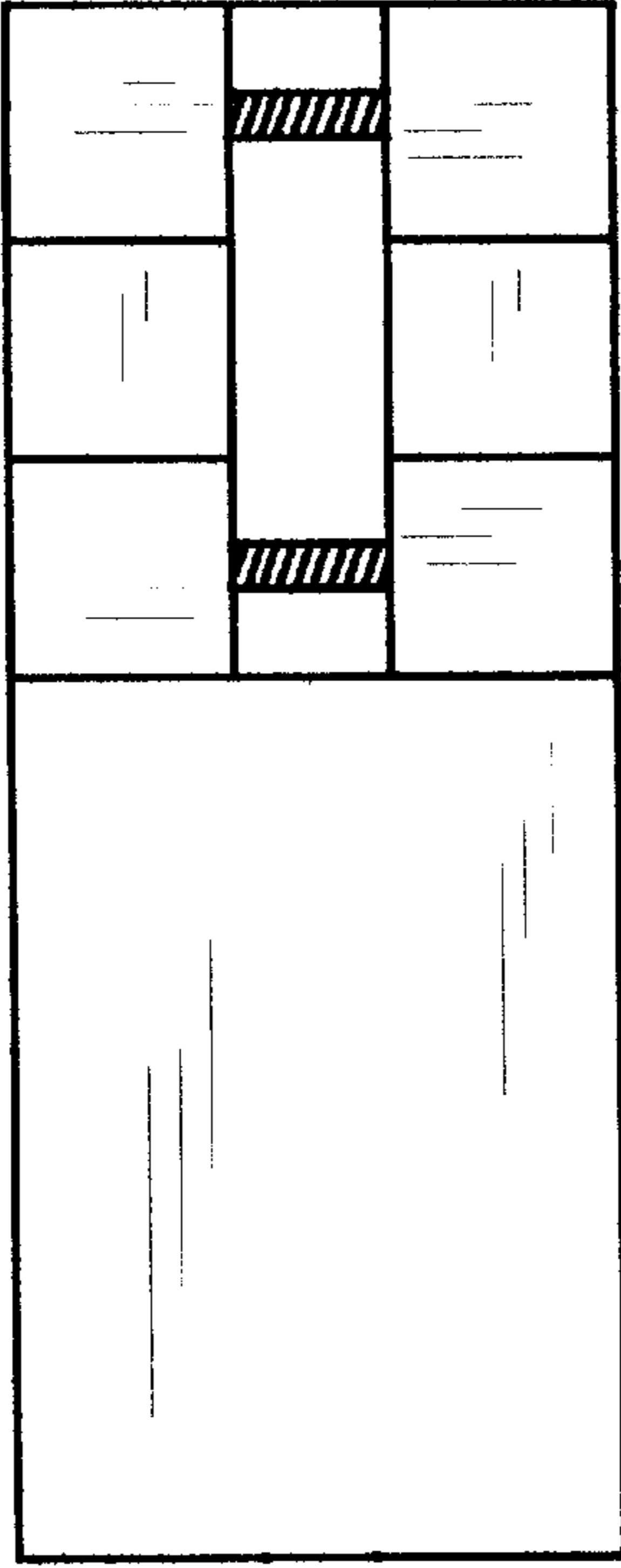


Fig. 2

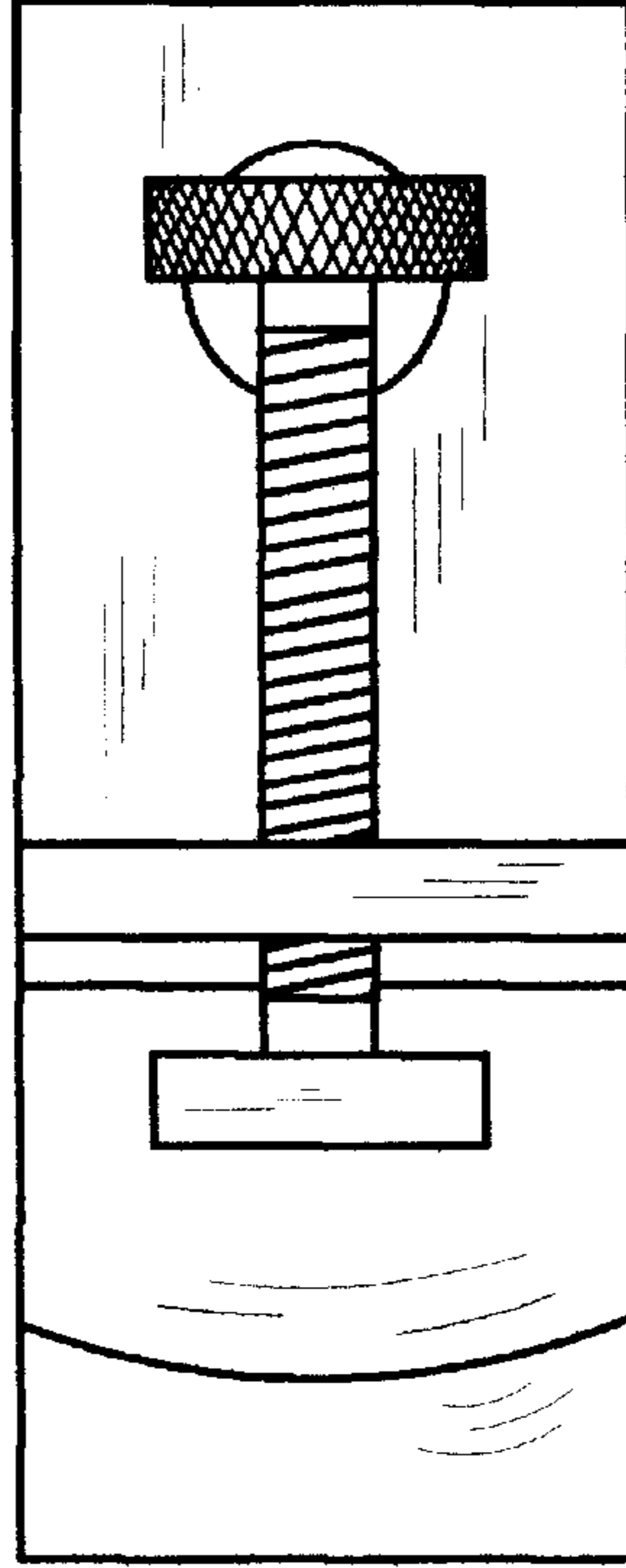


Fig. 3

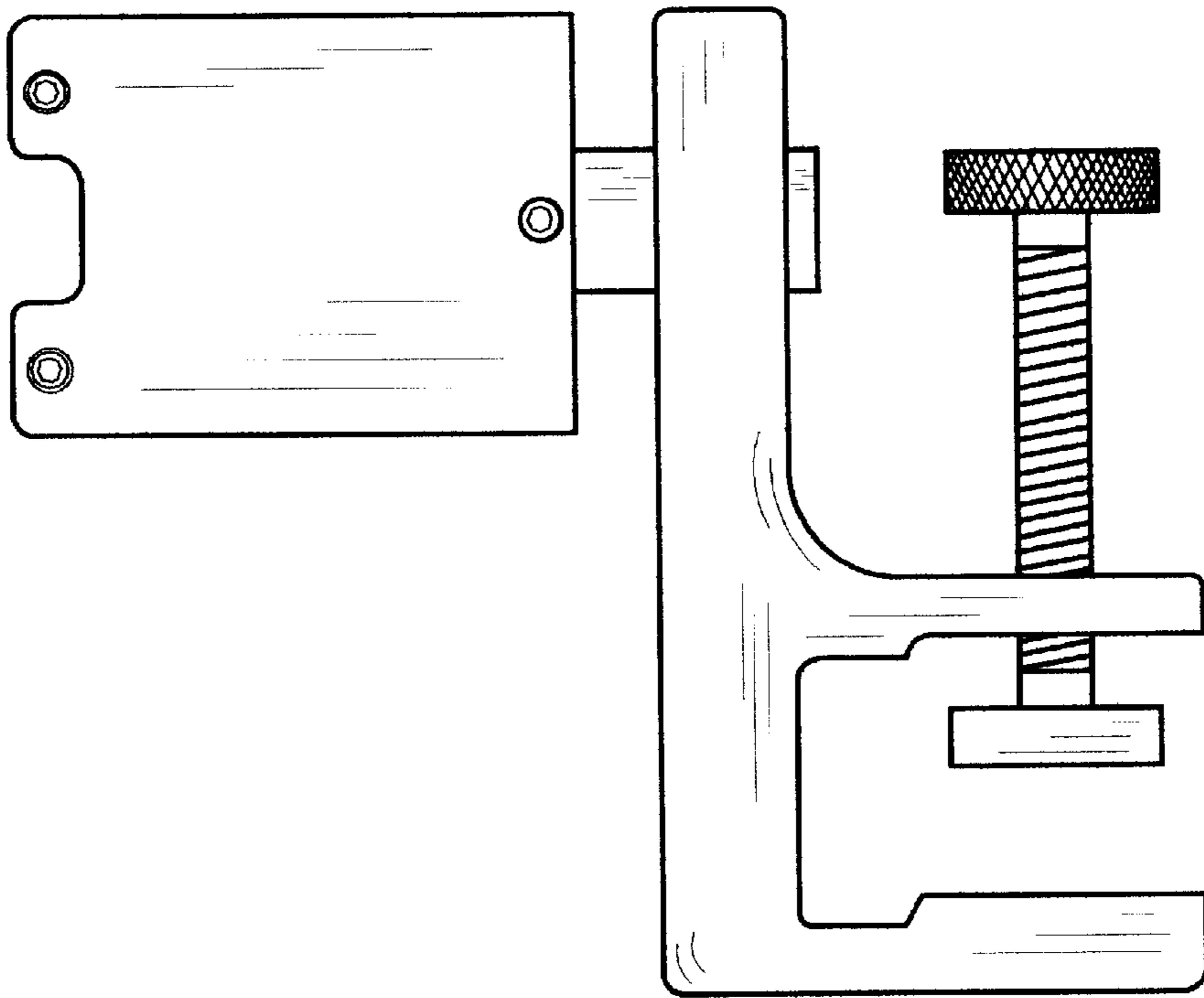


Fig. 1

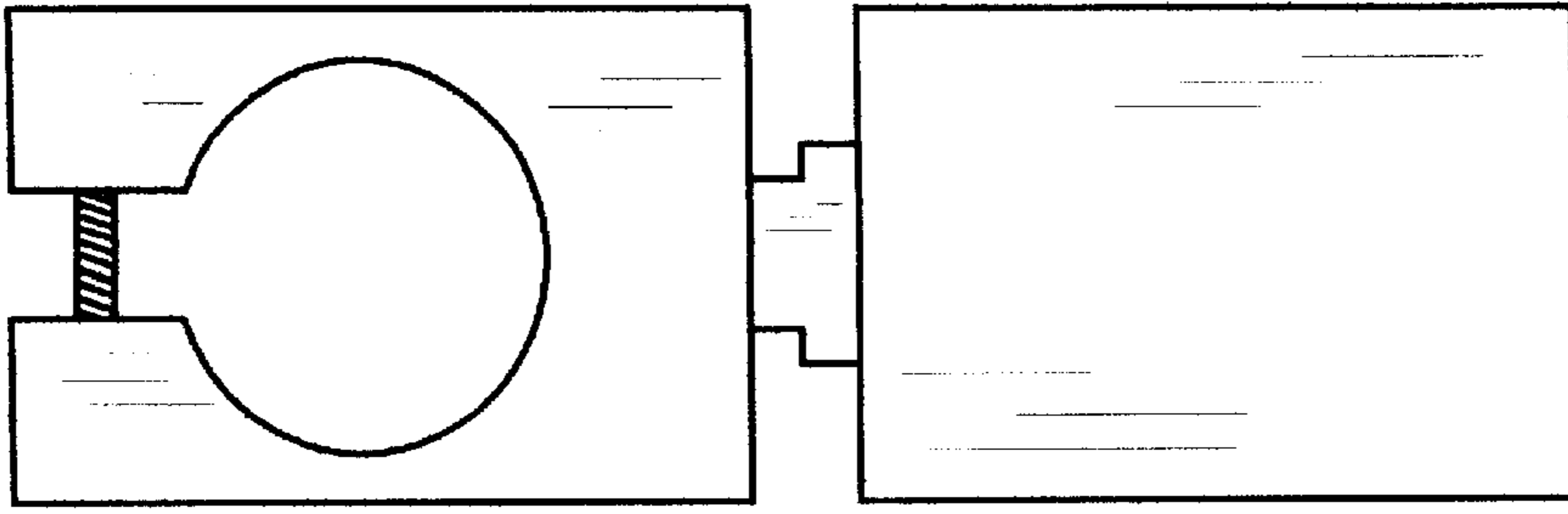


Fig. 6

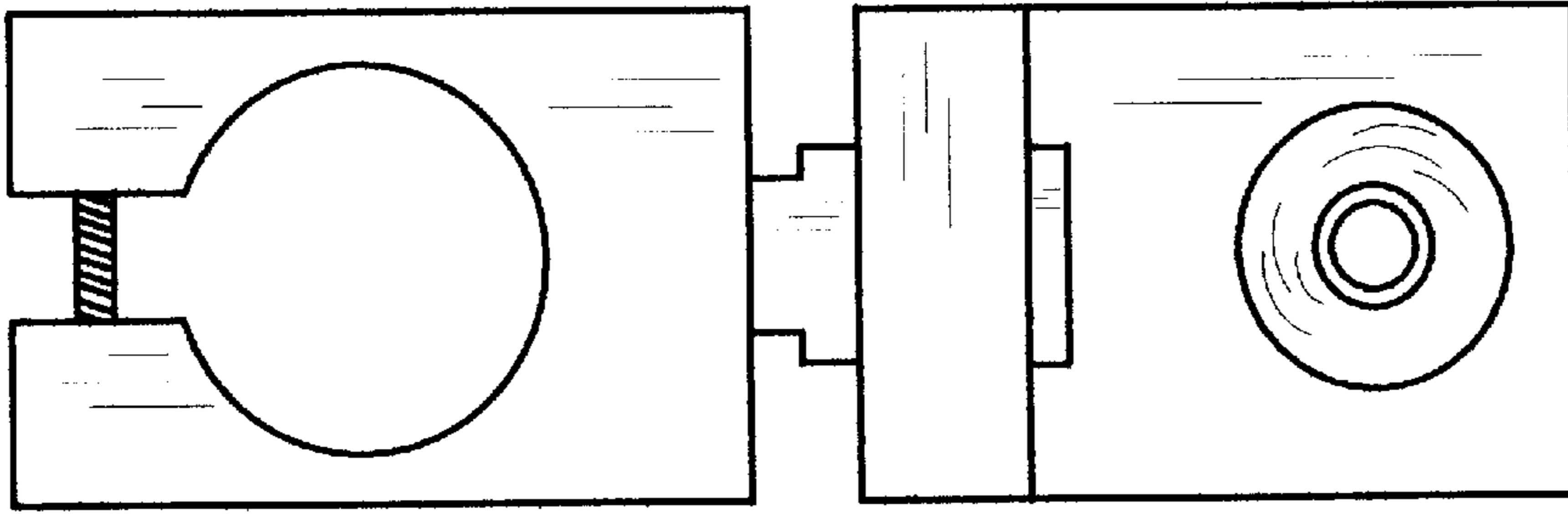


Fig. 5

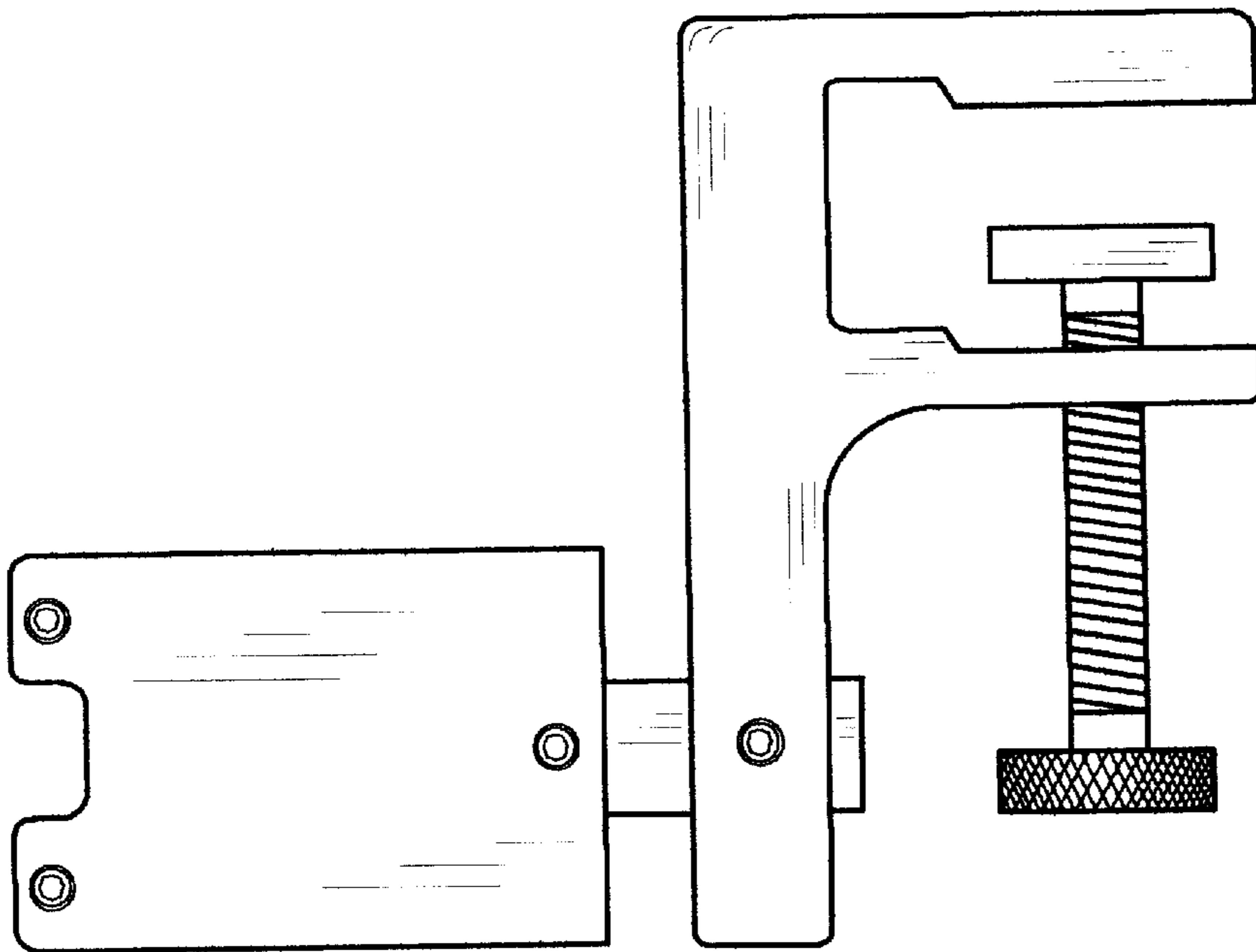


Fig. 4

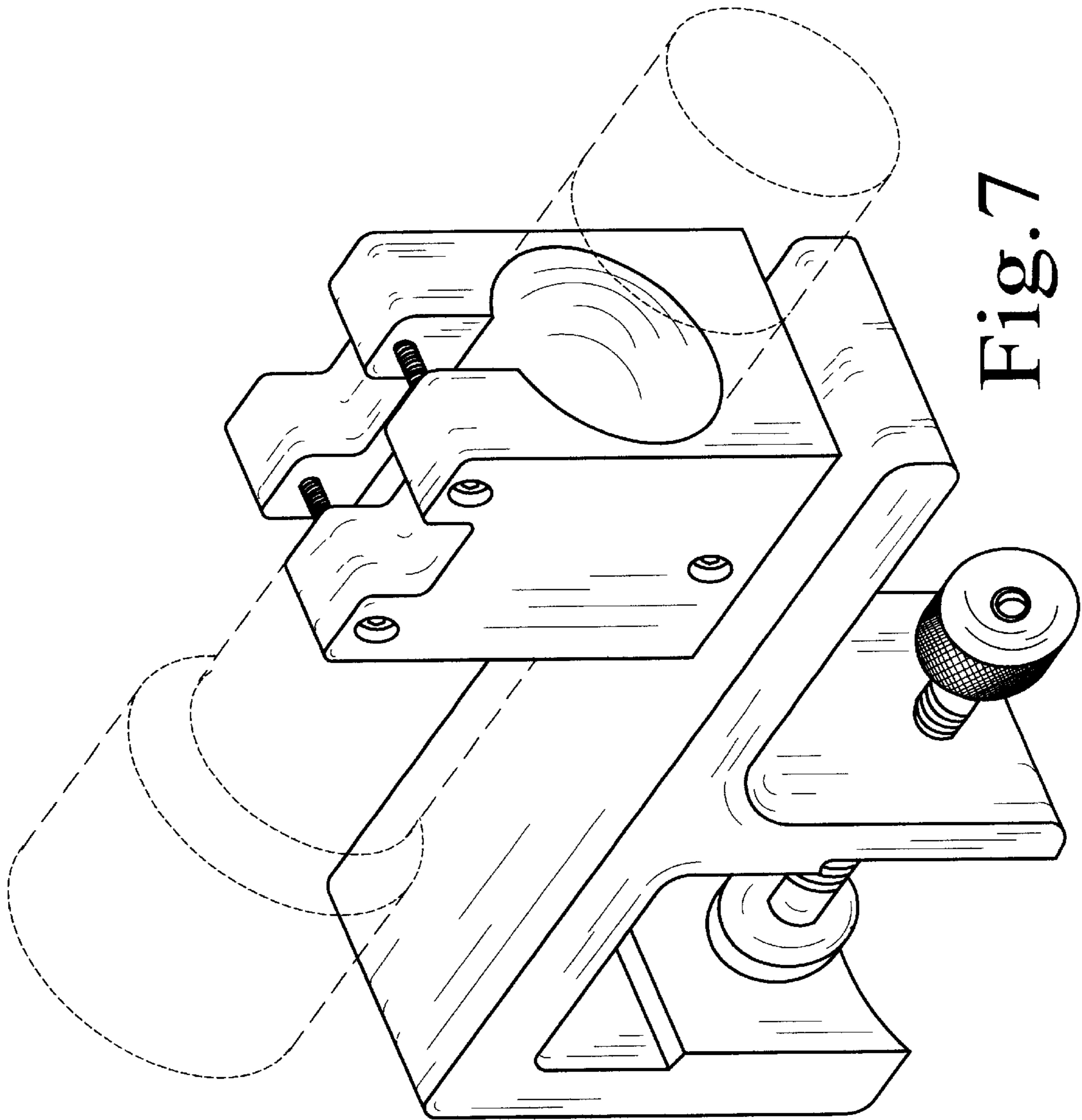


Fig. 7