



US00D483648S

(12) **United States Design Patent**  
**McMurray**

(10) **Patent No.: US D483,648 S**  
(45) **Date of Patent: \*\* Dec. 16, 2003**

- (54) **APPARATUS FOR SUPPORTING A FIREARM**
- (75) Inventor: **William McMurray**, Detroit, MI (US)
- (73) Assignee: **The Rac Holding Company, L.L.C.**,  
Southfield, MI (US)
- (\*\*) Term: **14 Years**
- (21) Appl. No.: **29/174,451**
- (22) Filed: **Jan. 17, 2003**

**Related U.S. Application Data**

- (63) Continuation of application No. 09/874,751, filed on Jun. 5, 2001.
- (51) **LOC (7) Cl.** ..... **08-07**
- (52) **U.S. Cl.** ..... **D8/336; D8/333; D6/552**
- (58) **Field of Search** ..... **D6/552; D8/349,**  
**D8/336, 333; 42/62, 66, 67, 70.01, 70.04,**  
**70.05, 70.06; D22/108; 211/4, 13.1, 64**

(56) **References Cited**

**U.S. PATENT DOCUMENTS**

920,132 A	5/1909	Greener	
1,033,915 A	7/1912	McDonald	211/4
3,031,787 A	* 5/1962	Womble, Jr.	42/70.01
3,368,297 A	* 2/1968	Lentz	42/70.06 X
3,419,154 A	12/1968	Shapiro et al.	211/7
3,659,721 A	5/1972	Parillo	211/4
3,982,633 A	9/1976	Pennington	211/4
4,204,601 A	5/1980	Thomas	211/4
4,254,879 A	3/1981	Maule	211/4

4,462,497 A	7/1984	Maule	211/7
4,844,257 A	7/1989	Seynhaeve	206/279
5,026,013 A	6/1991	Robbins	248/223.1
5,154,072 A	10/1992	Leyden	70/18
5,178,283 A	1/1993	Ennis	211/4
D341,072 S	* 11/1993	Bryant	D8/336
5,287,972 A	2/1994	Saathoff	211/64
5,509,542 A	4/1996	Simmerman et al.	211/124
5,675,999 A	10/1997	Carlstrom	70/18
5,683,021 A	11/1997	Setina	70/162
5,823,358 A	10/1998	Leyden et al.	211/8
6,012,692 A	1/2000	Meck	248/251
6,113,045 A	9/2000	Kuo	211/105
6,142,313 A	11/2000	Young	211/4
6,330,815 B1	12/2001	Duncan	70/58

\* cited by examiner

*Primary Examiner*—Brian N. Vinson  
(74) *Attorney, Agent, or Firm*—Gifford, Krass, Groh,  
Sprinkle, Anderson & Citkowski, P.C.

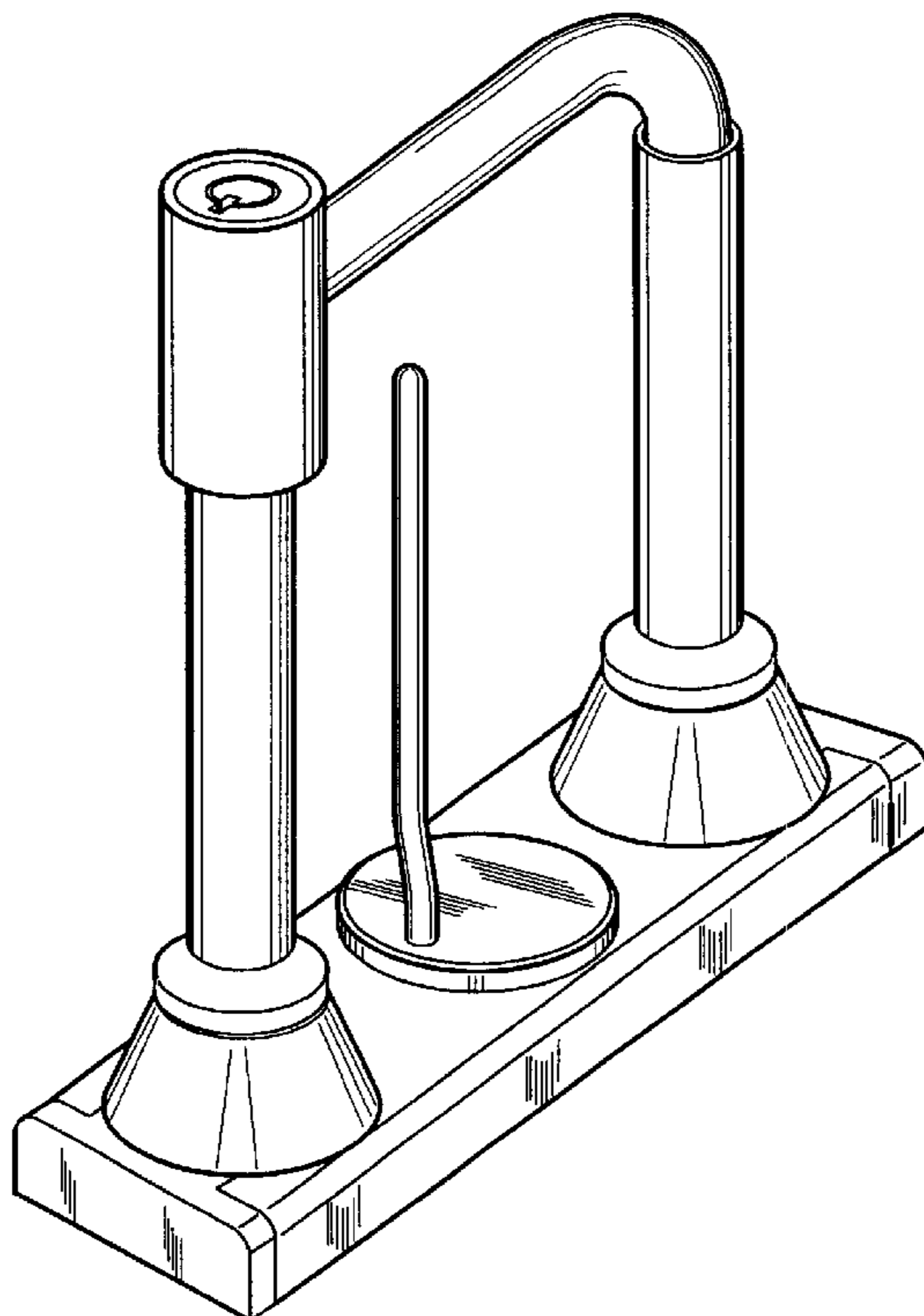
(57) **CLAIM**

I claim the ornamental design for an apparatus for supporting a firearm, as shown and described.

**DESCRIPTION**

FIG. 1 is a perspective view of an apparatus for supporting a firearm showing my new design;  
FIG. 2 is a top view thereof;  
FIG. 3 is a bottom view thereof;  
FIG. 4 is a side view thereof;  
FIG. 5 is a left side view thereof; and,  
FIG. 6 is a right side view thereof.

**1 Claim, 3 Drawing Sheets**



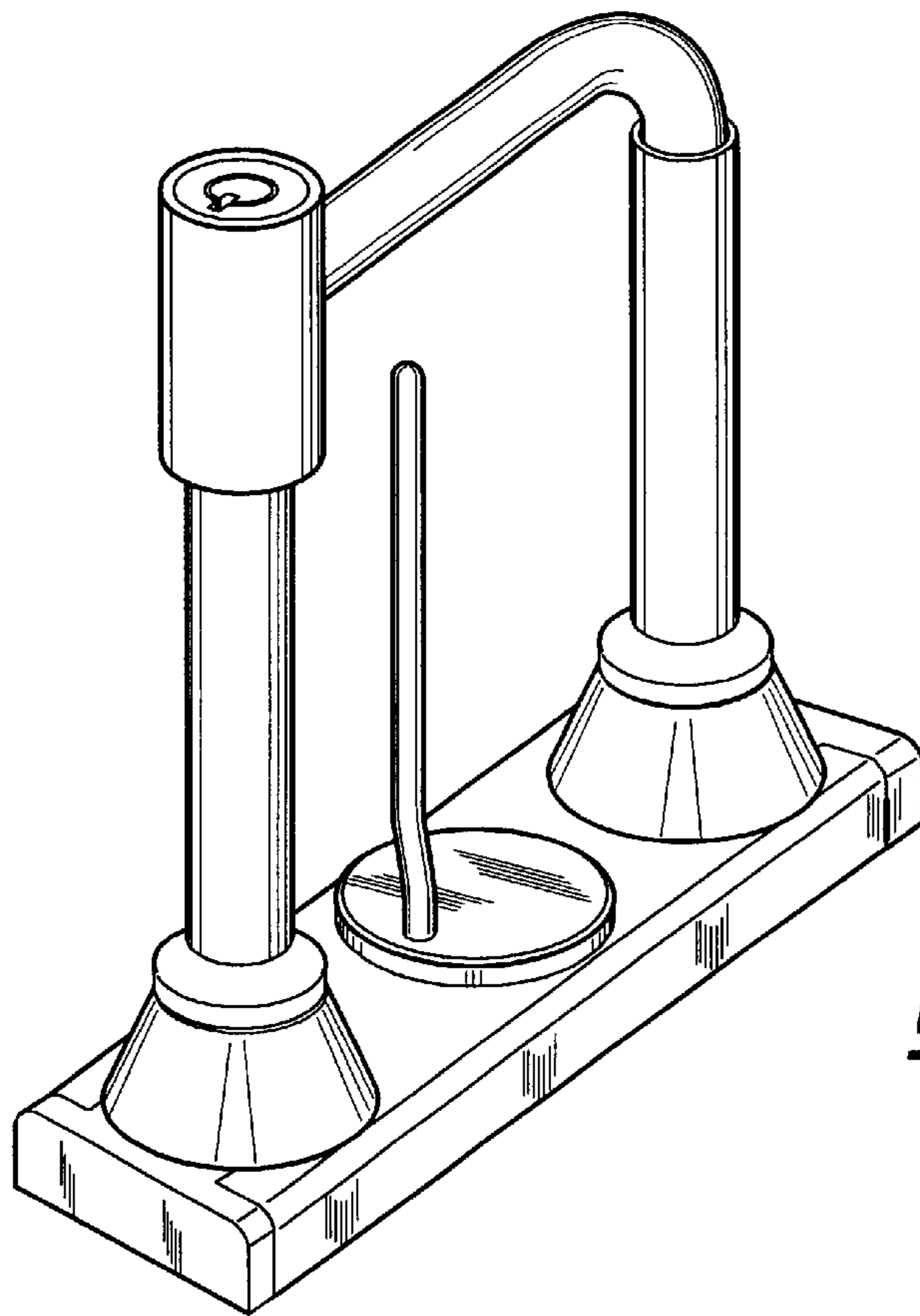


Fig-1

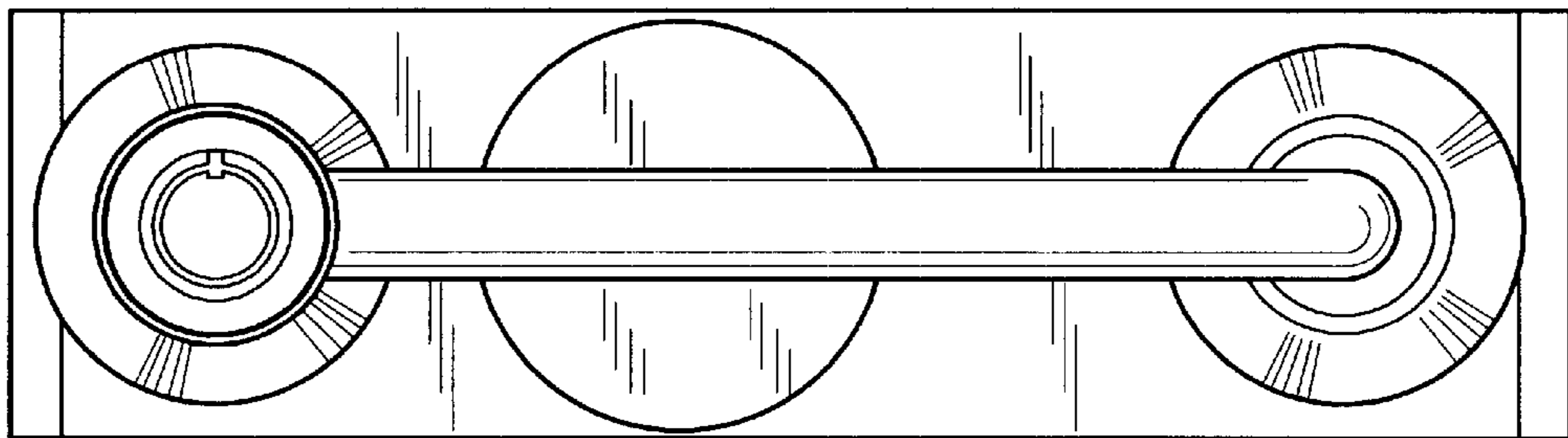


Fig-2

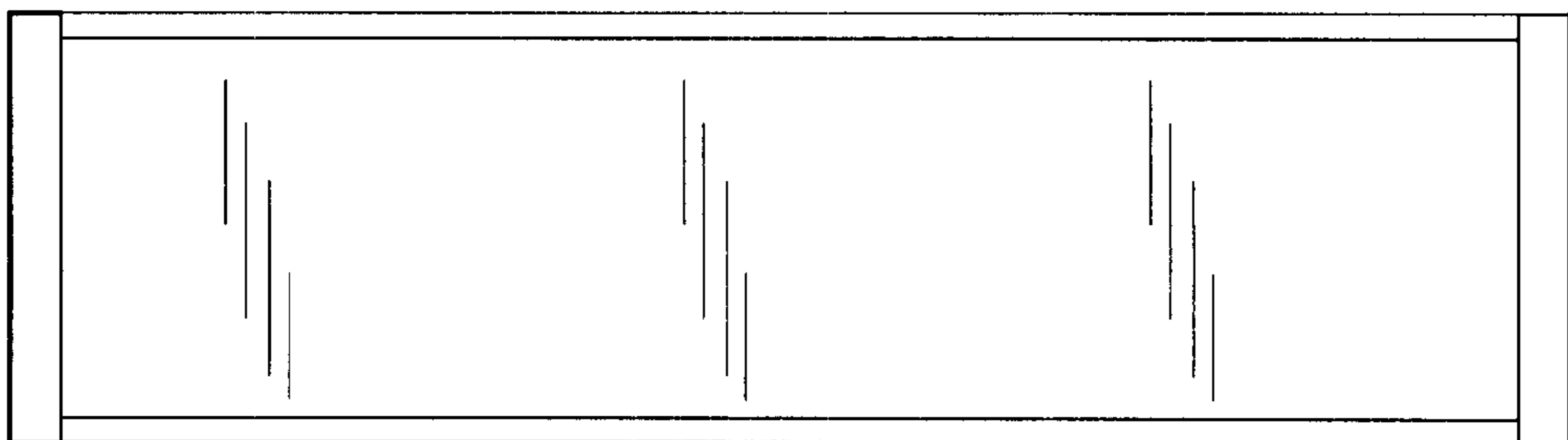


Fig-3

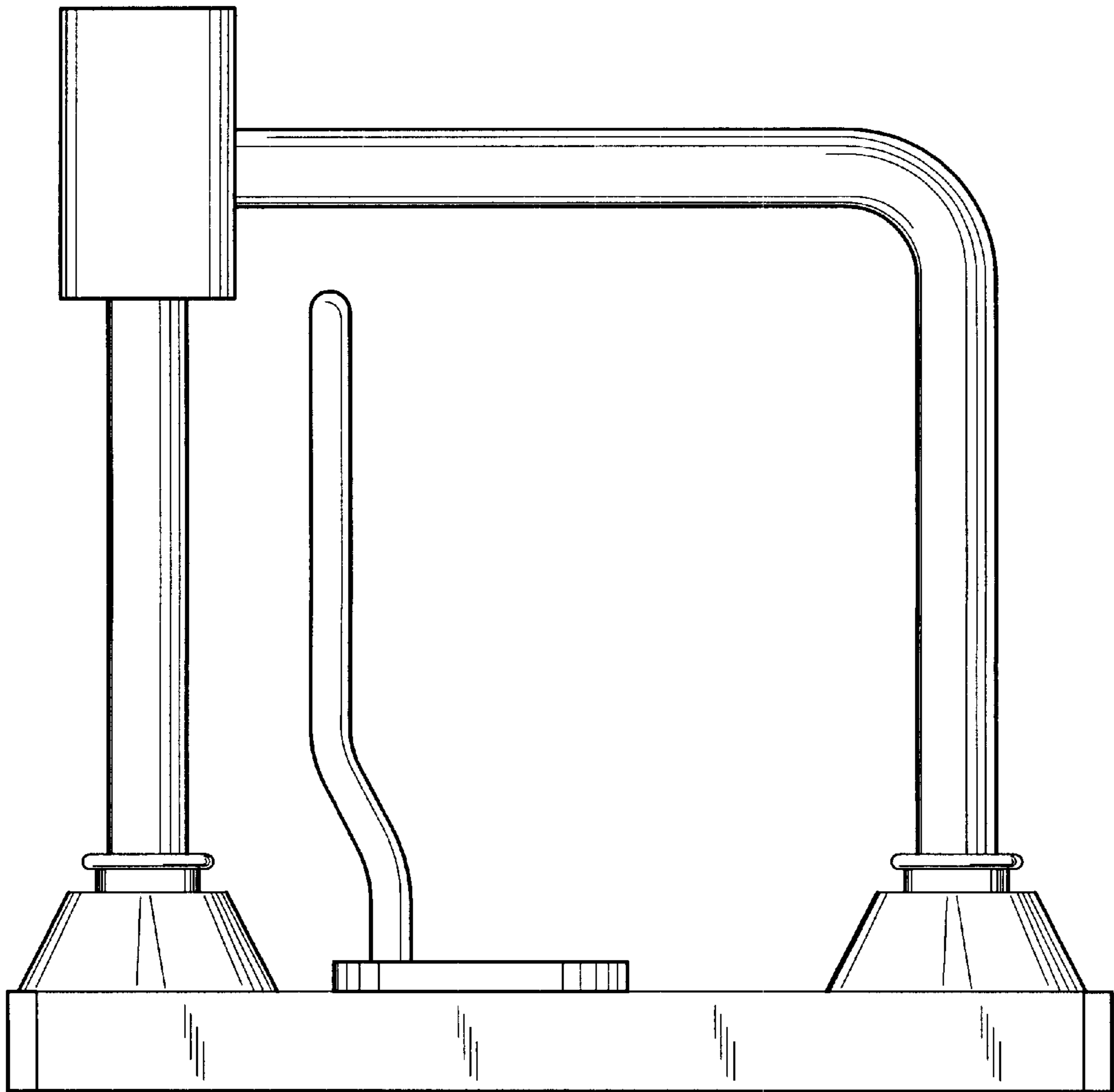


Fig-4

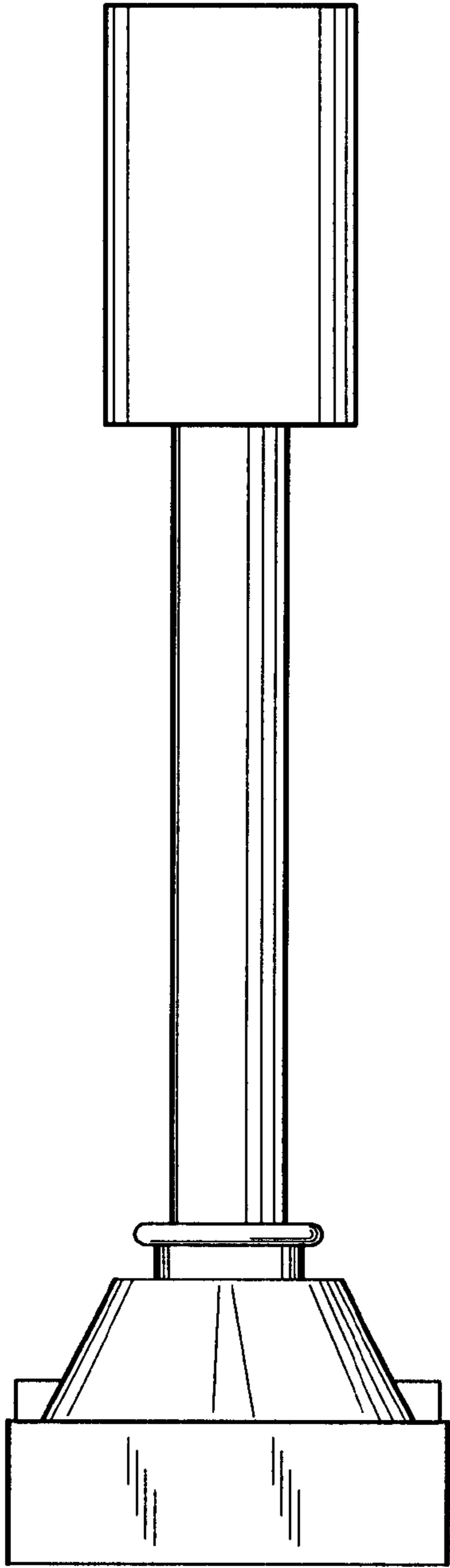


Fig-5

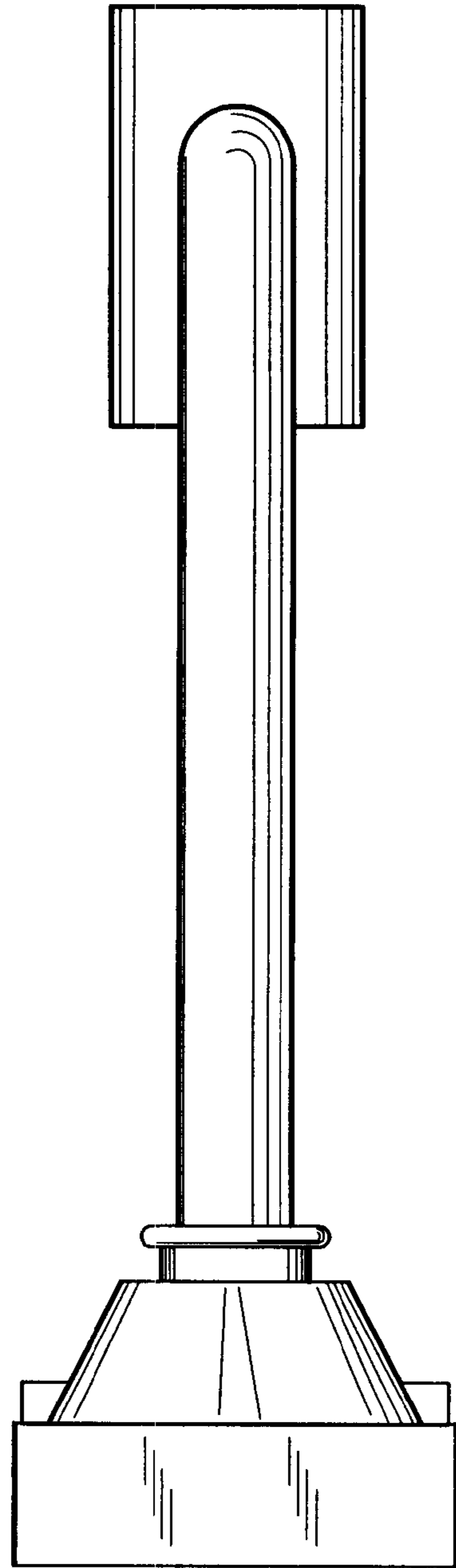


Fig-6