



US00D483647S

(12) **United States Design Patent**  
**Lo**

(10) **Patent No.:** **US D483,647 S**

(45) **Date of Patent:** **\*\* Dec. 16, 2003**

(54) **LOCK**

D477,209 S \* 7/2003 Yu et al. .... D8/334

(76) Inventor: **Shih-Chuan Lo**, PO Box 82-144,  
Taipei (TW)

\* cited by examiner

(\*\*) Term: **14 Years**

*Primary Examiner*—Brian N. Vinson  
(74) *Attorney, Agent, or Firm*—Leong C. Lei

(21) Appl. No.: **29/182,316**

(57) **CLAIM**

(22) Filed: **May 27, 2003**

The ornamental design for a lock, as shown and described.

(51) **LOC (7) Cl.** ..... **08-07**

(52) **U.S. Cl.** ..... **D8/333**

(58) **Field of Search** ..... D8/333, 334; 70/14,  
70/20, 22, 23, 24, 53, 58

**DESCRIPTION**

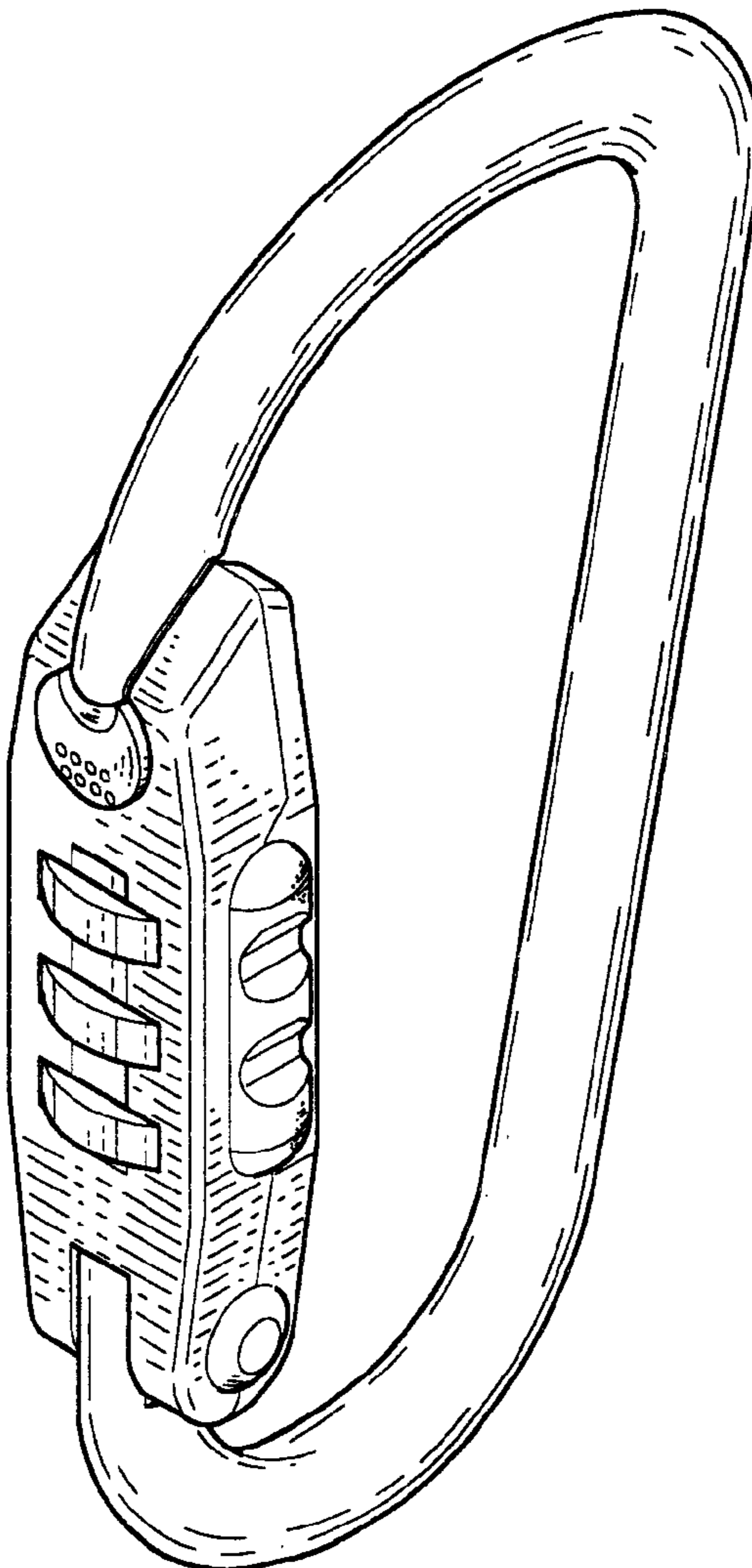
FIG. 1 is perspective view of a lock showing my new design;  
FIG. 2 is a front side elevation view thereof;  
FIG. 3 is a rear side elevation view thereof;  
FIG. 4 is a left side elevation view thereof;  
FIG. 5 is a right side elevation view thereof;  
FIG. 6 is a top plan view thereof; and,  
FIG. 7 is a bottom plan view thereof.

(56) **References Cited**

**U.S. PATENT DOCUMENTS**

D433,312 S \* 11/2000 Luquire ..... D8/333  
D439,825 S \* 4/2001 Lai ..... D8/334  
D453,467 S \* 2/2002 Nakamura ..... D8/334

**1 Claim, 4 Drawing Sheets**



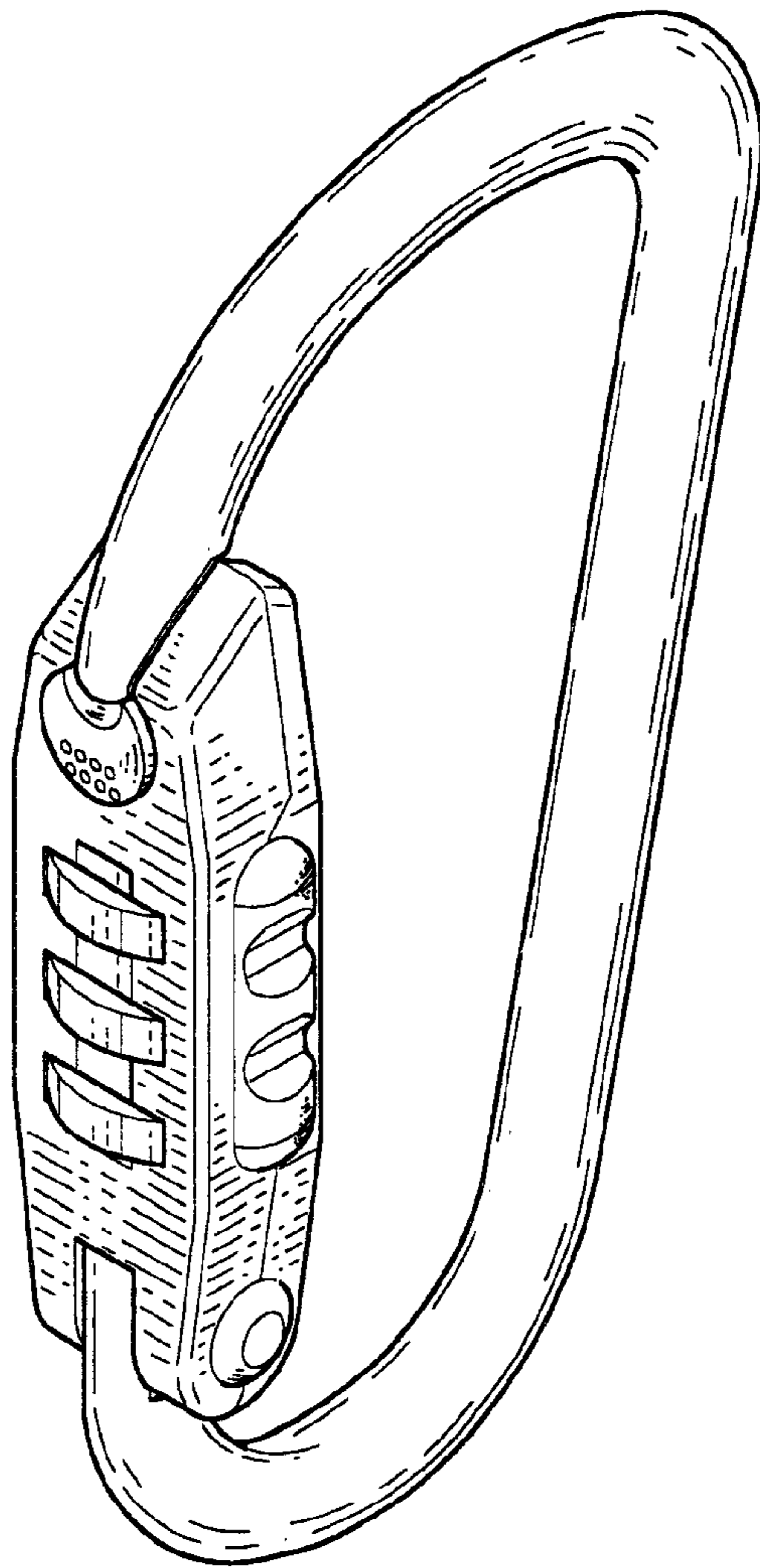


FIG. 1

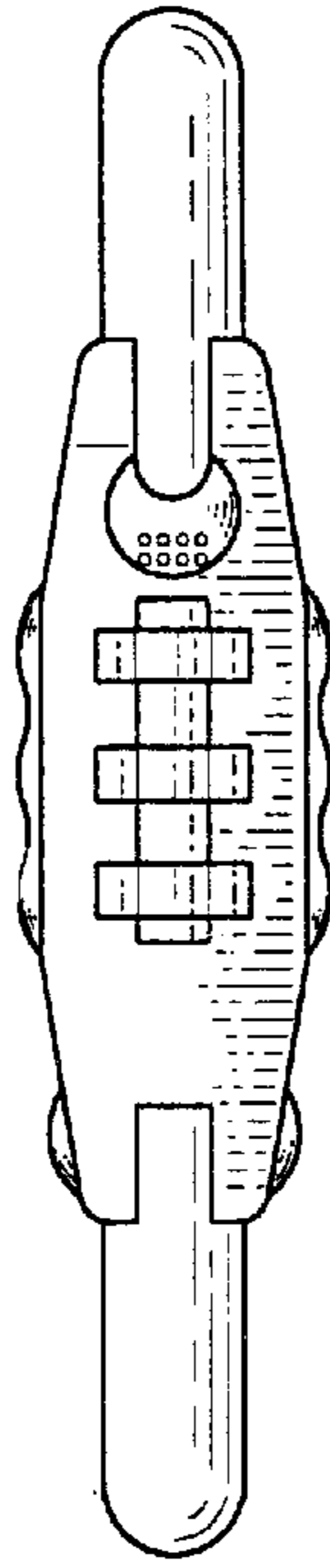


FIG. 2

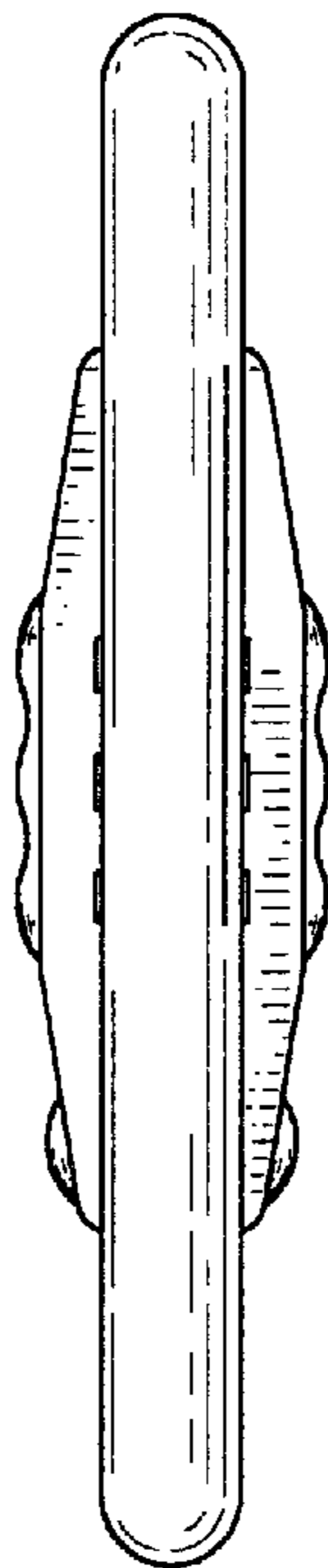


FIG. 3

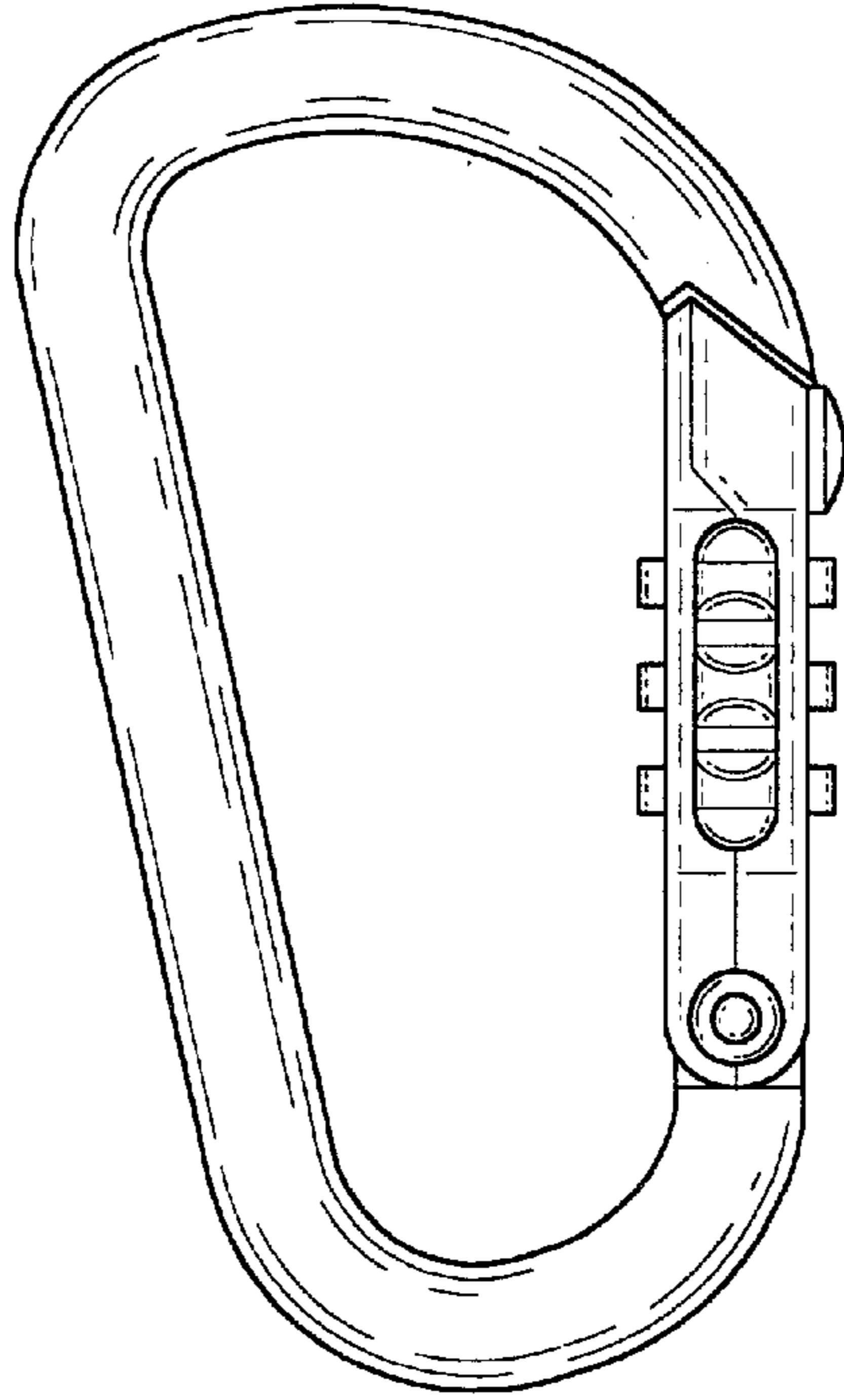


FIG. 4

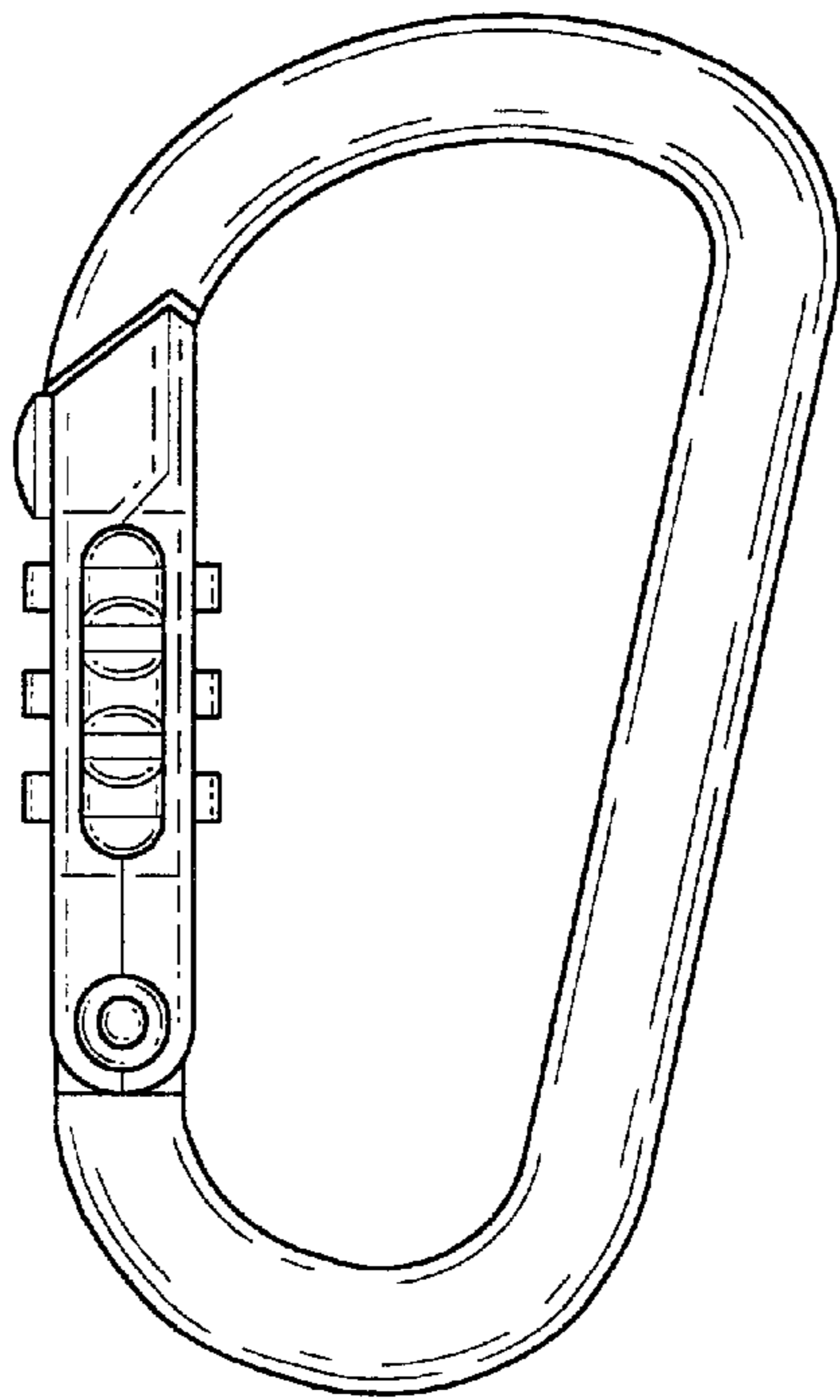


FIG. 5

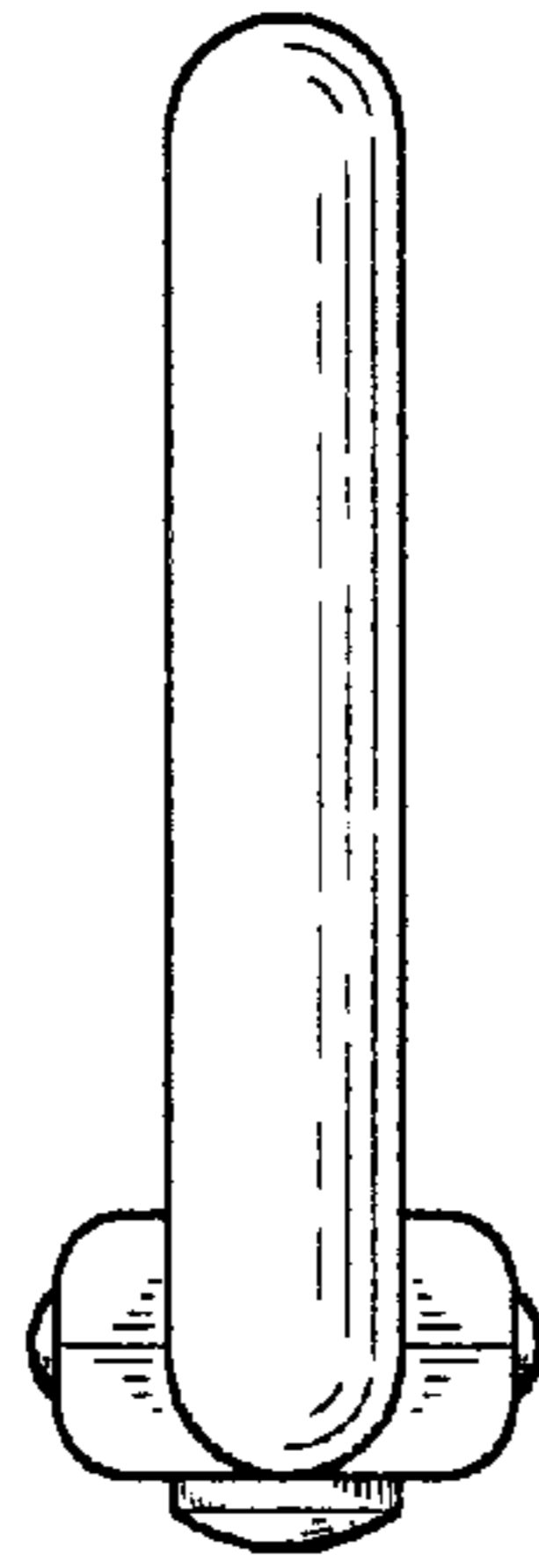


FIG. 6

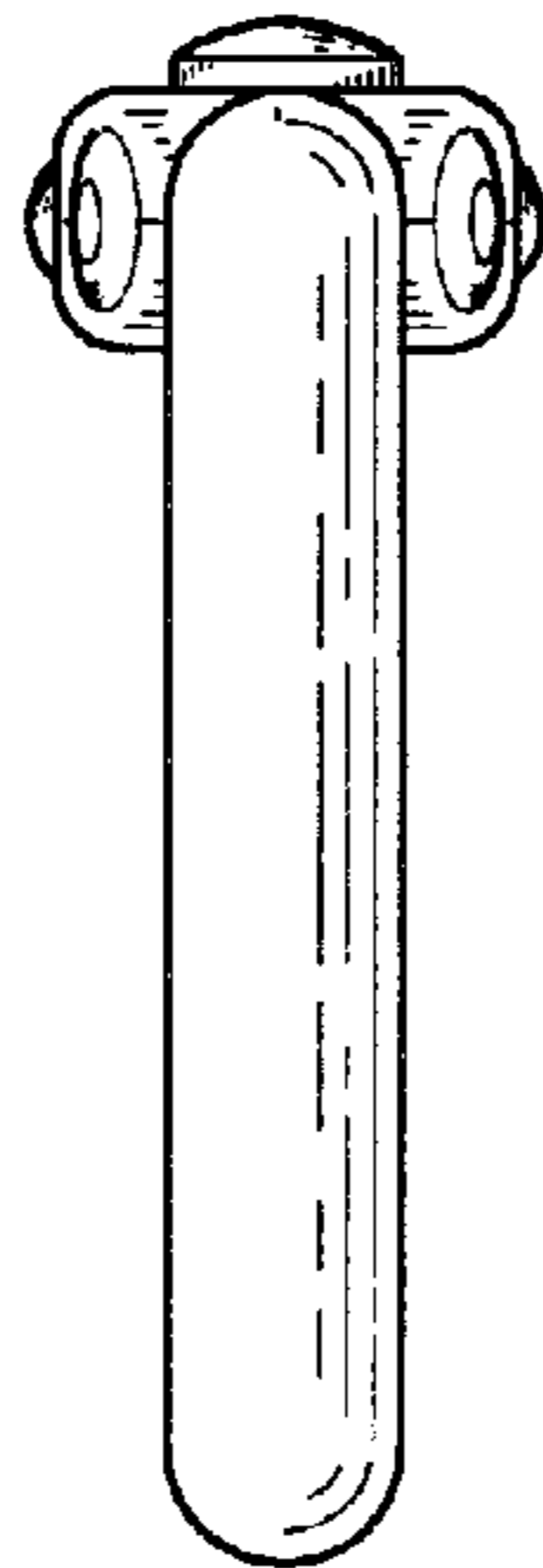


FIG. 7