



US00D483645S

(12) **United States Design Patent**
Ulmer et al.

(10) **Patent No.:** **US D483,645 S**

(45) **Date of Patent:** **** Dec. 16, 2003**

(54) **TOOL HANDLE**

(75) Inventors: **Kurt Van Ulmer**, Denver, CO (US);
Michael D. Hennessey, Denver, CO (US)

(73) Assignee: **Pumpkin Ltd.**, Denver, CO (US)

(**) Term: **14 Years**

(21) Appl. No.: **29/179,502**

(22) Filed: **Apr. 9, 2003**

(51) **LOC (7) Cl.** **07-04**

(52) **U.S. Cl.** **D8/107; D7/696**

(58) **Field of Search** D8/107, 95, 97;
D7/693-696; 30/355, 517; 81/177.1, 489,
436-440; 16/110.1, 421, 422, 426, 430,
431

(56) **References Cited**

U.S. PATENT DOCUMENTS

D125,284 S * 2/1941 Murdock D7/695

(List continued on next page.)

OTHER PUBLICATIONS

Schick Xtreme 3 razor, distributed by Pfizer, Inc. Warner Lambert Consumer Group 182 Tabor Road Building 2/2nd Floor, Morris Plains, New Jersey.

(List continued on next page.)

Primary Examiner—Clare E Heflin

(74) *Attorney, Agent, or Firm*—Timothy J. Martin; Michael R. Henson; Rebecca A. Gegick

(57) **CLAIM**

The ornamental design for a tool handle, as shown and described.

DESCRIPTION

FIG. 1 is a front perspective view of a tool handle showing a first exemplary embodiment of our new design, with a tool

in the form of a saw blade shown in broken lines for illustrative purposes only so that it forms no part of the claimed design;

FIG. 2 is a rear perspective view of the tool handle shown in FIG. 1 with a tool in the form of a saw blade shown in broken lines for illustrative purposes only so that it forms no part of the claimed design;

FIG. 3 is a front elevational view of the tool handle shown in FIG. 1 with a tool in the form of a saw blade shown in broken lines for illustrative purposes only so that it forms no part of the claimed design;

FIG. 4 is a top plan view of the tool handle shown in FIG. 1, which is the same as a bottom plan view thereof, with a tool in the form of a saw blade shown in broken lines for illustrative purposes only so that it forms no part of the claimed design;

FIG. 5 is a left side view in elevation of the tool handle shown in FIG. 1;

FIG. 6 is a right side view in elevation of the tool handle shown in FIG. 1;

FIG. 7 is a front perspective view of a tool handle showing a second exemplary embodiment of our new design, with a tool in the form of a saw blade shown in broken lines for illustrative purposes only so that it forms no part of the claimed design;

FIG. 8 is a rear perspective view of the tool handle shown in FIG. 7 with a tool in the form of a saw blade shown in broken lines for illustrative purposes only so that it forms no part of the claimed design;

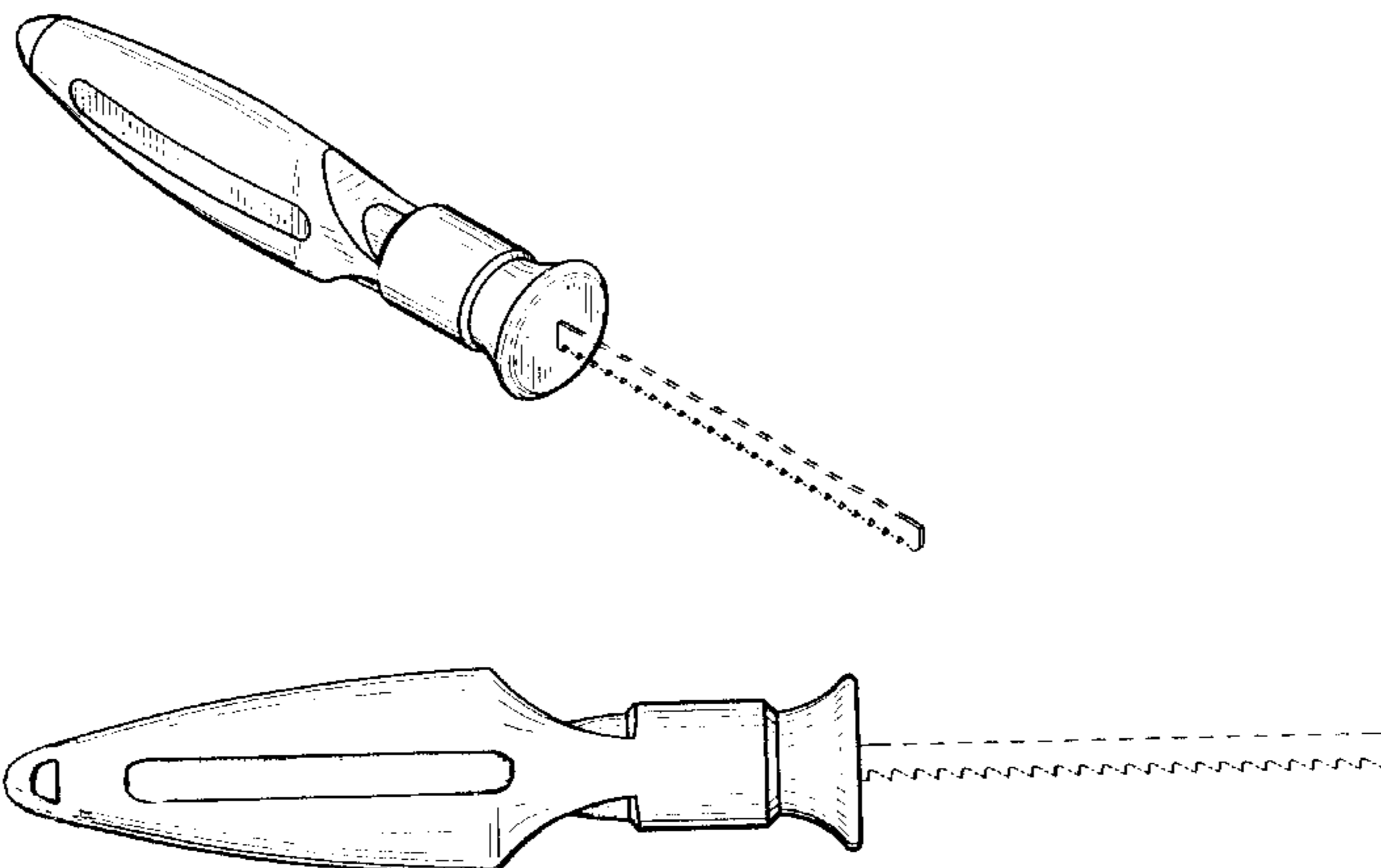
FIG. 9 is a front elevational view of the tool handle shown in FIG. 7 with a tool in the form of a saw blade shown in broken lines for illustrative purposes only so that it forms no part of the claimed design;

FIG. 10 is a top plan view of the tool handle shown in FIG. 7, which is the same as a bottom plan view thereof, with a tool in the form of a saw blade shown in broken lines for illustrative purposes only so that it forms no part of the claimed design;

FIG. 11 is a left side view in elevation of the tool handle shown in FIG. 7; and,

FIG. 12 is a right side view in elevation of the tool handle shown in FIG. 7.

1 Claim, 2 Drawing Sheets



US D483,645 S

Page 2

U.S. PATENT DOCUMENTS

D196,268 S * 9/1963 Lamb D8/107
D247,870 S * 5/1978 Herrmeyer et al. D7/695
4,348,807 A 9/1982 Ashdown et al.
D268,639 S 4/1983 Johannsen
4,464,838 A * 8/1984 Gurrbach et al. 30/357
4,841,638 A 6/1989 Bardeen et al.
D355,342 S * 2/1995 Davidson et al. D8/107
D369,070 S 4/1996 Hahn
D375,876 S 11/1996 Allison
5,572,794 A * 11/1996 Kalbern 30/355
5,687,484 A 11/1997 Hahn
D391,458 S 3/1998 Allison
5,778,541 A 7/1998 McClung
5,832,615 A 11/1998 Costen et al.
D435,760 S 1/2001 Sofy
D442,050 S * 5/2001 Hung D8/83

D443,486 S 6/2001 Allison
6,497,046 B1 12/2002 Bardeen et al.

OTHER PUBLICATIONS

Crest Triple Effect toothbrush, distributed by Procter & Gamble, 1 Procter & Gamble Plaza Cincinnati, Ohio 45202.
Colgate Total Professional Toothbrush, distributed by Palmolive Company, 300 Park Avenue, New York, New York 10022.

Gerber Fun Grips Fork, distributed by Gerber Products Company, 445 State Street, Fremont, Michigan 49413-0001.

Vegetable Peeler, UPC No. 0 35886 16005, distributed by J.A. Henckels International, Hawthorne, New York 10532.

* cited by examiner

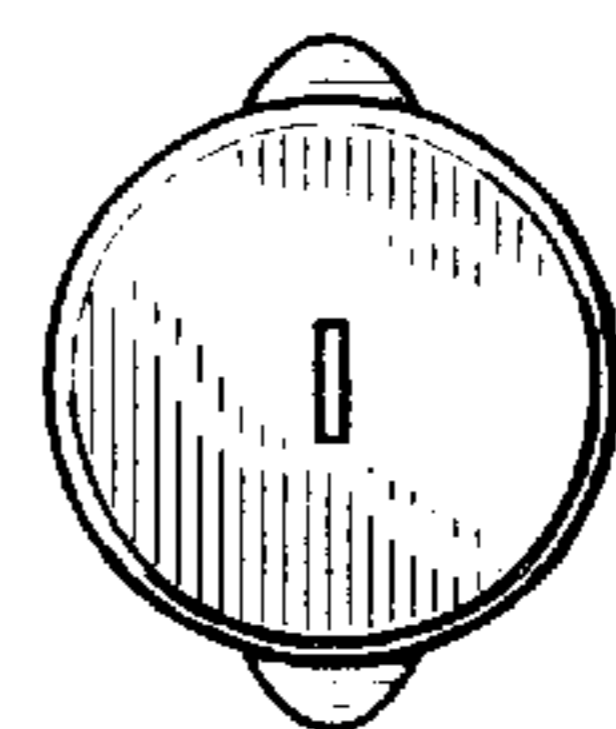
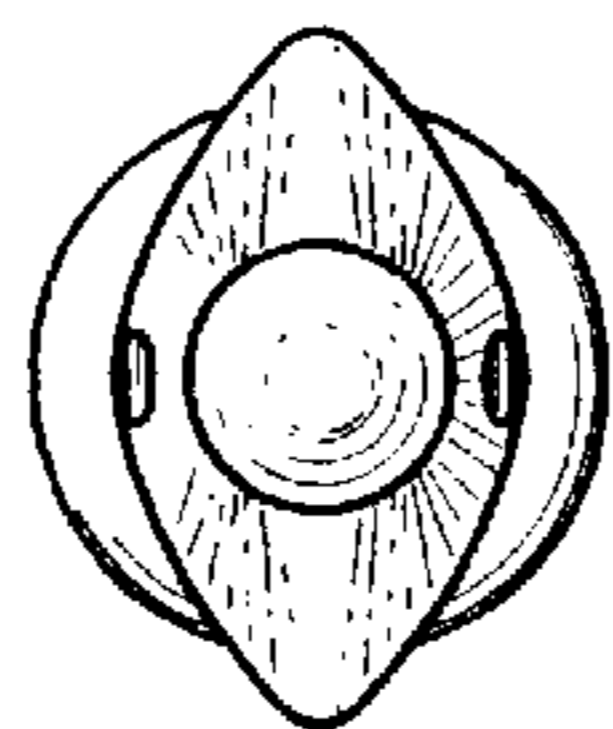
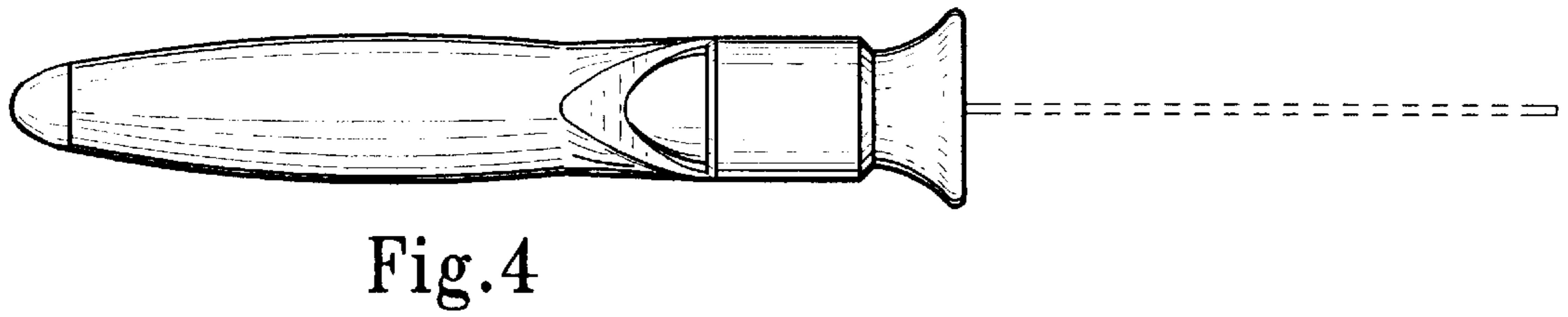
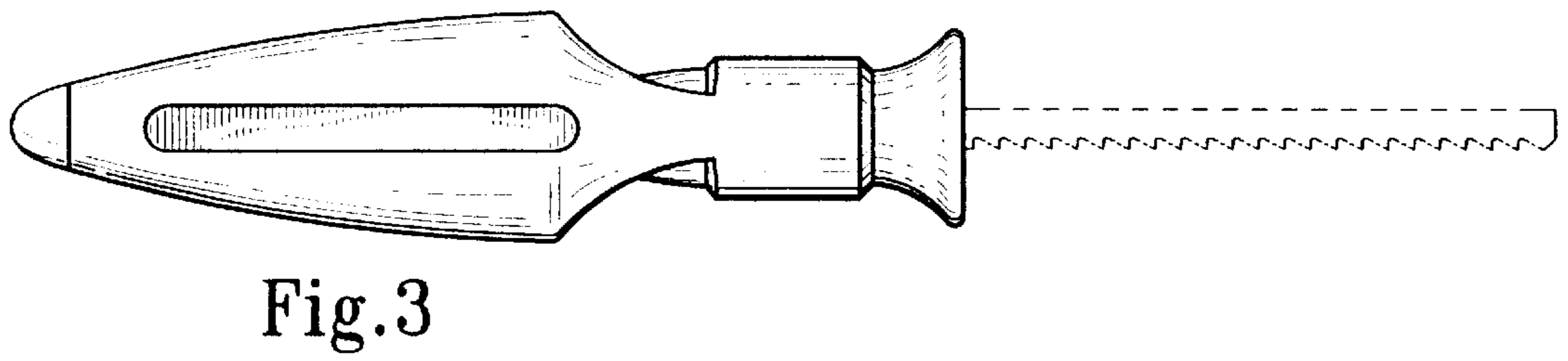
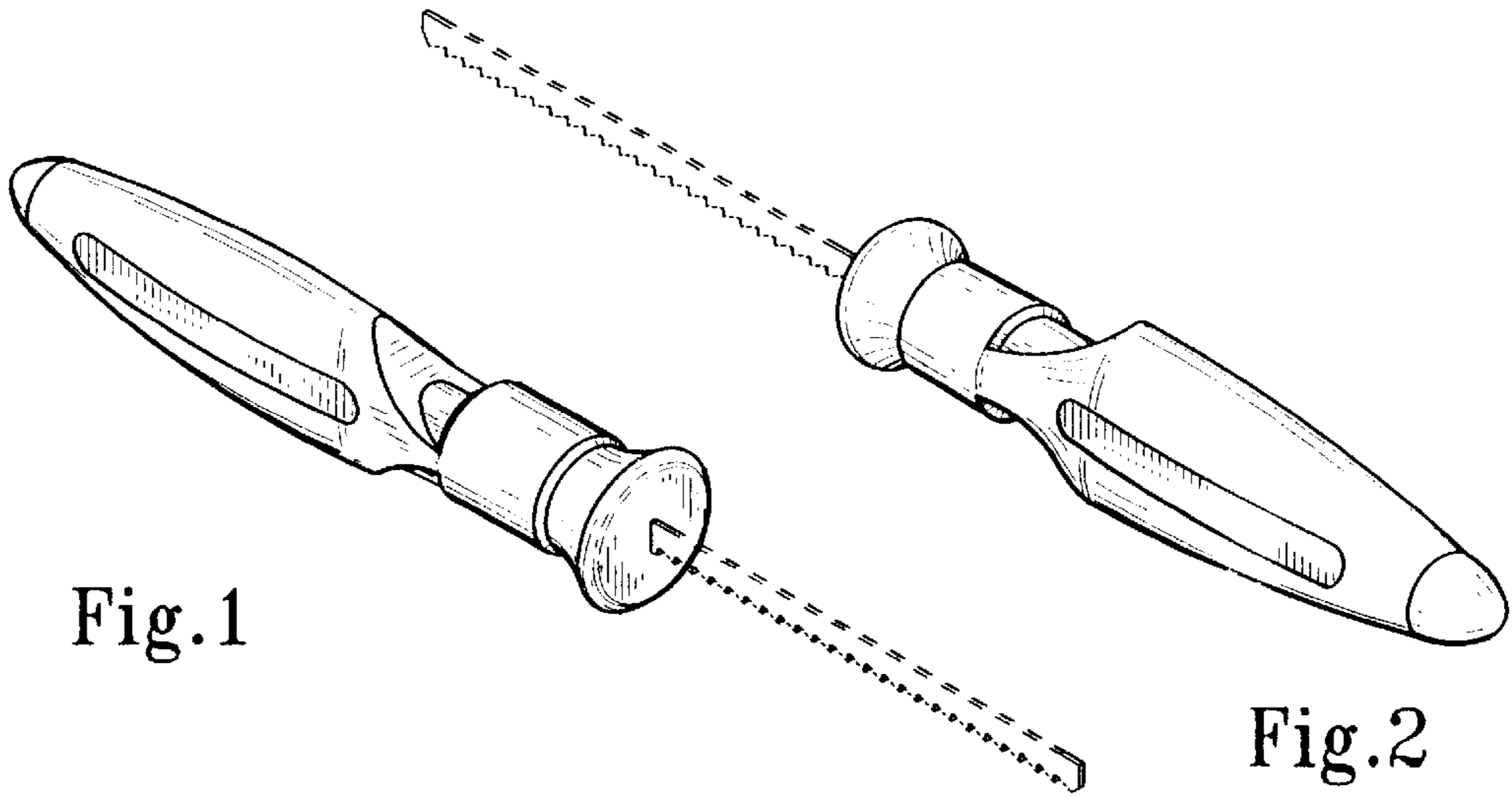


Fig.5

Fig.6

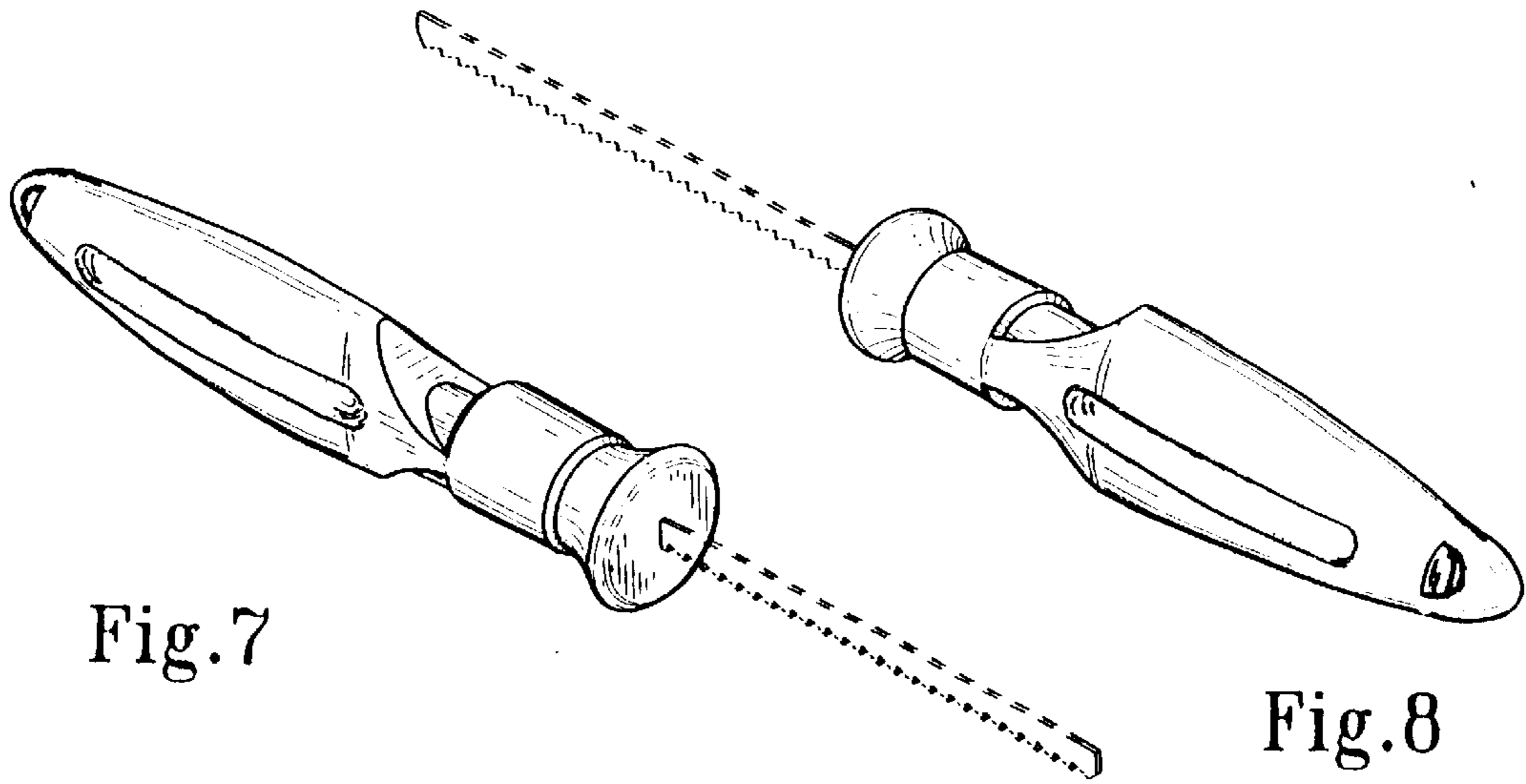


Fig.7

Fig.8

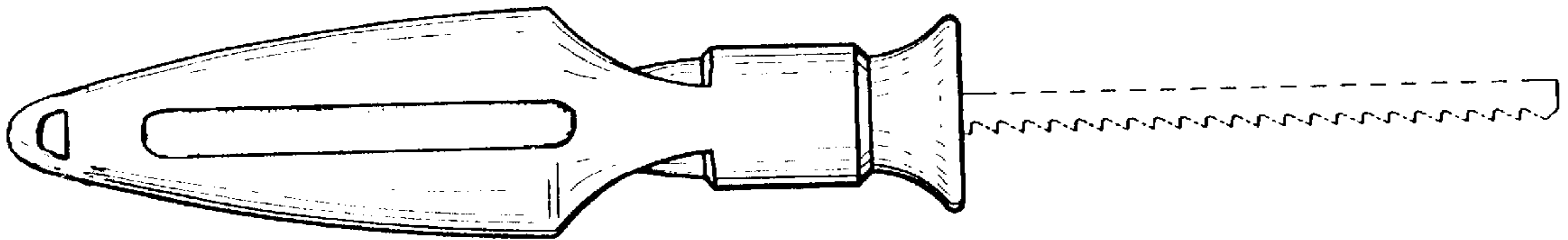


Fig.9

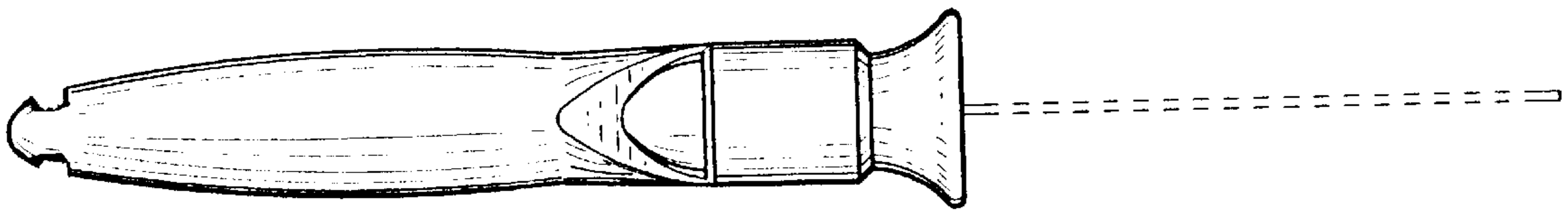


Fig.10

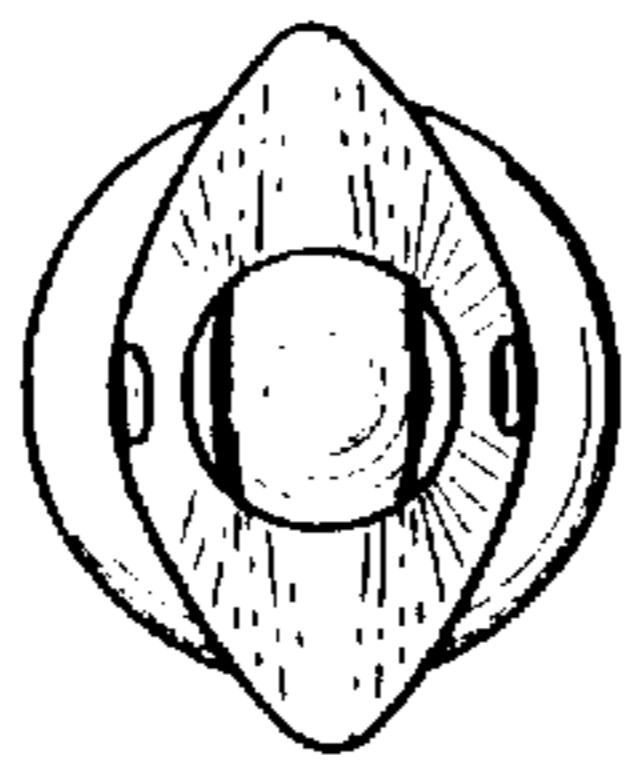


Fig.11

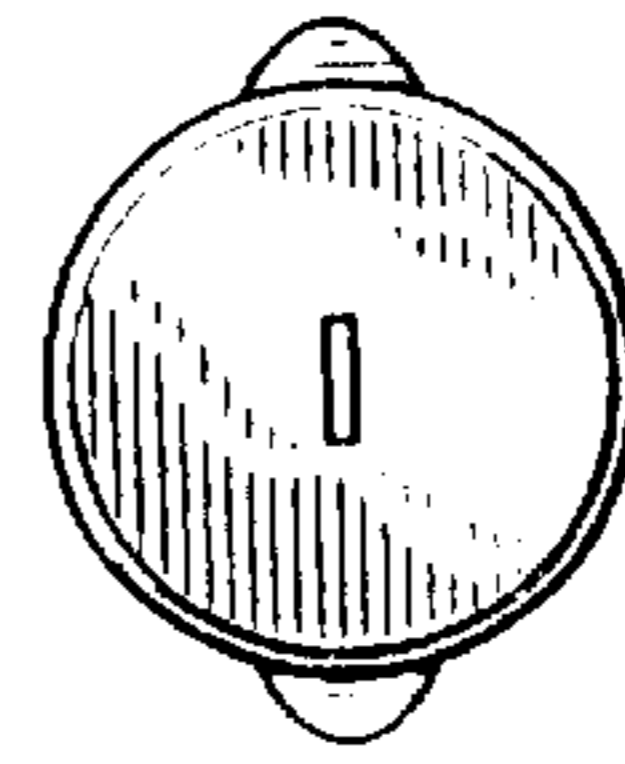


Fig.12