



US00D483636S

(12) **United States Design Patent**
Oblak et al.

(10) **Patent No.:** **US D483,636 S**

(45) **Date of Patent:** **** Dec. 16, 2003**

(54) **ENGRAVER**

(75) Inventors: **Matthew Oblak**, Chicago, IL (US);
Allen Oles, Chicago, IL (US); **Todd A. Zeilinger**, Chicago, IL (US); **David Iverson**, Chicago, IL (US); **John Van Akkeren**, Chicago, IL (US)

(73) Assignee: **Credo Technology Corporation**,
Broadview, IL (US)

(**) Term: **14 Years**

(21) Appl. No.: **29/178,563**

(22) Filed: **Mar. 27, 2003**

(51) **LOC (7) Cl.** **08-01**

(52) **U.S. Cl.** **D8/61**

(58) **Field of Search** D8/61, 62, 68,
D8/70; D18/57, 14; 30/164.9, 164.95, 165,
500; 33/18.1; 73/862.21; 81/57.11, 57.13,
57.14, 57.26, 57.29, 57.39, 57.42, 63.1,
63.2, 429, 464, 467, 470; 173/168, 169,
170, 176, 177, 178, 181, 216, 217; 310/50

(56) **References Cited**

U.S. PATENT DOCUMENTS

D192,614 S * 4/1962 Anderson D8/61

D204,096 S * 3/1966 Anderson D8/61

3,564,712 A * 2/1971 Davis 30/164.9

4,344,230 A * 8/1982 Olander 30/164.9

D291,581 S * 8/1987 Adams D18/14

D424,613 S * 5/2000 Chiang D18/57

* cited by examiner

Primary Examiner—Doris V. Coles

Assistant Examiner—Elizabeth A. Albert

(74) *Attorney, Agent, or Firm*—Victor A. Henzi

(57) **CLAIM**

The ornamental design for an engraver, as shown and described.

DESCRIPTION

FIG. 1 is a front left perspective view of the present new design for an engraver;

FIG. 2 is a left side view thereof;

FIG. 3 is a right side view thereof;

FIG. 4 is a front view thereof;

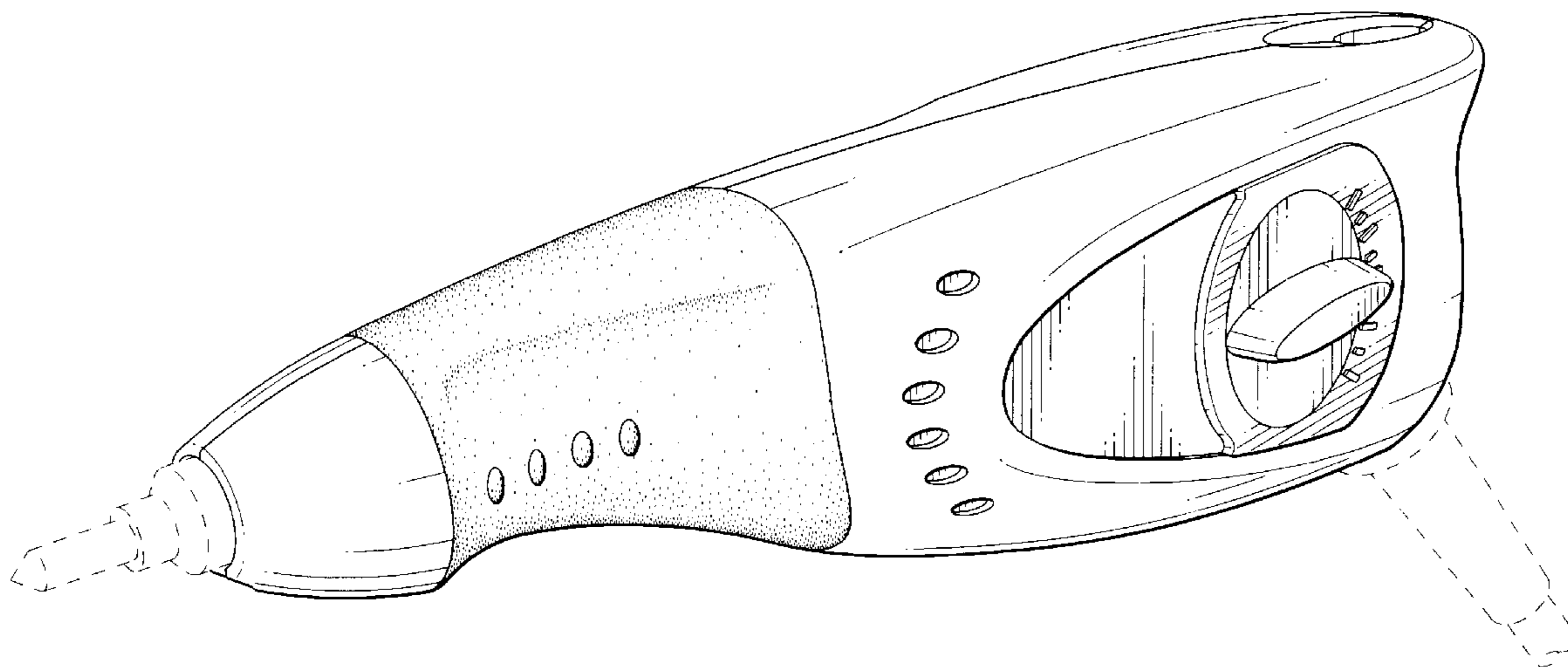
FIG. 5 is a rear view thereof;

FIG. 6 is top view thereof; and,

FIG. 7 is a bottom view thereof.

The broken lines showing various features of an engraver are for illustrative purposes only and form no part of the claimed design.

1 Claim, 6 Drawing Sheets



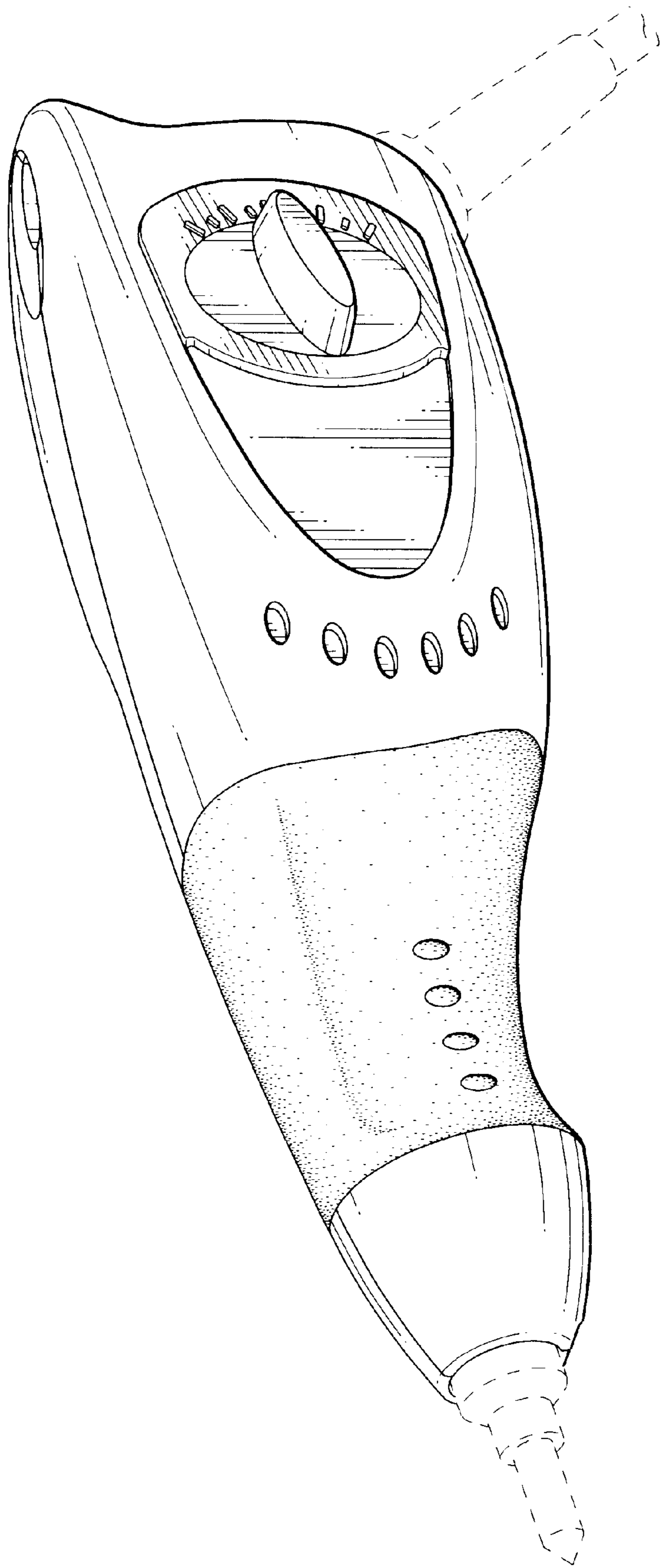


FIG. 1

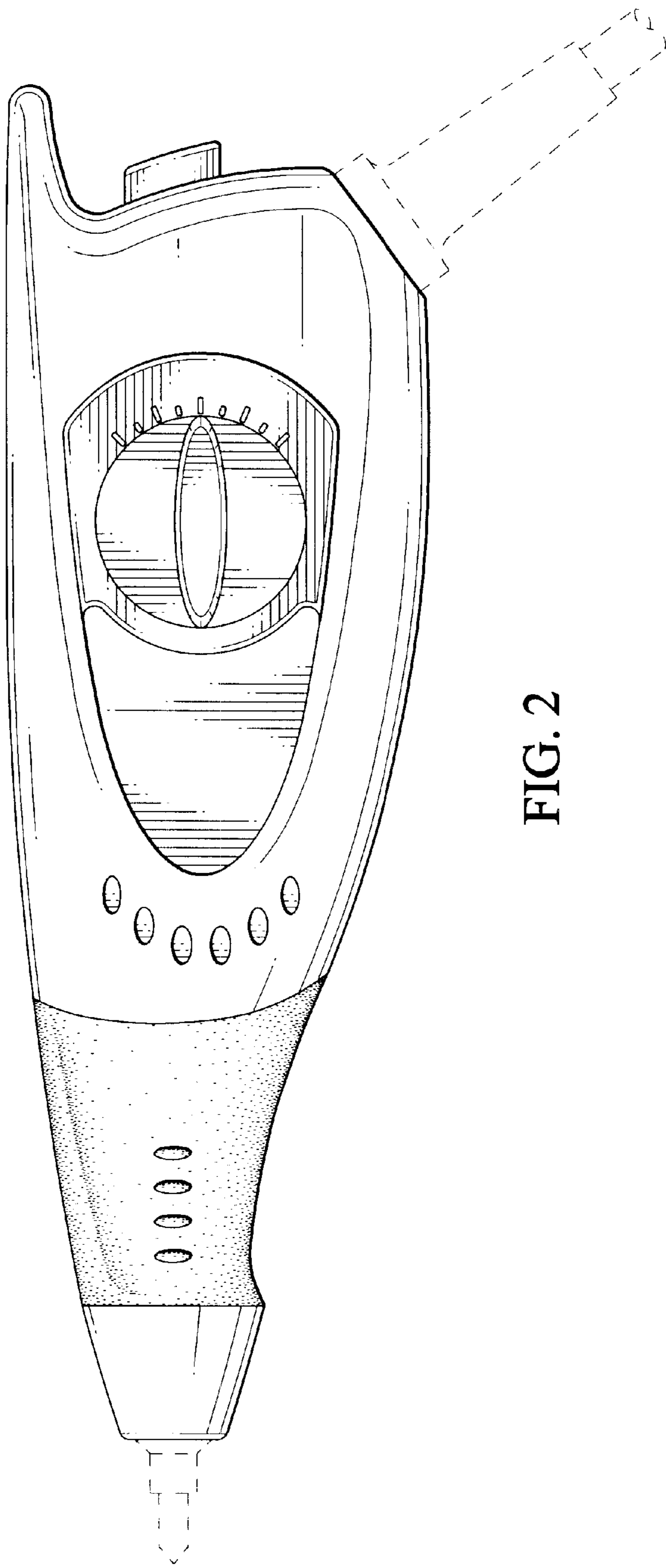


FIG. 2

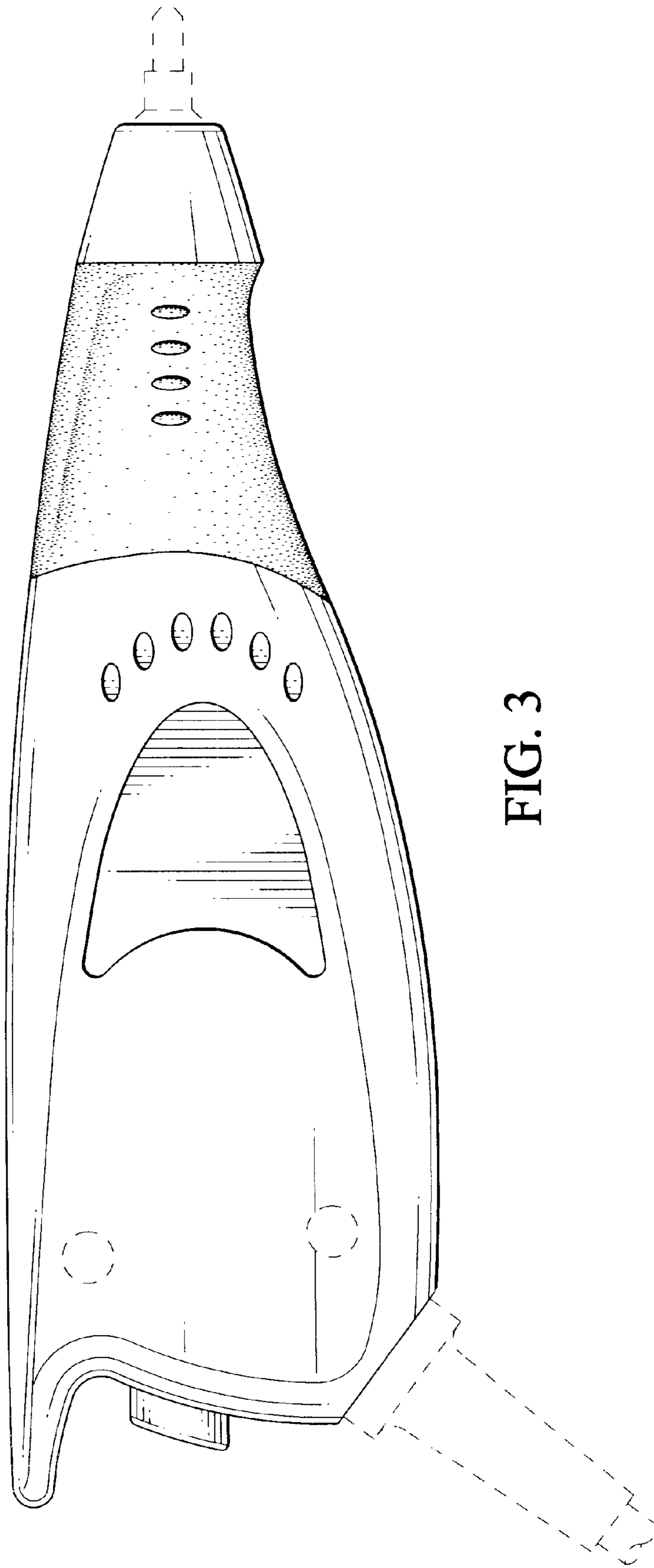


FIG. 3

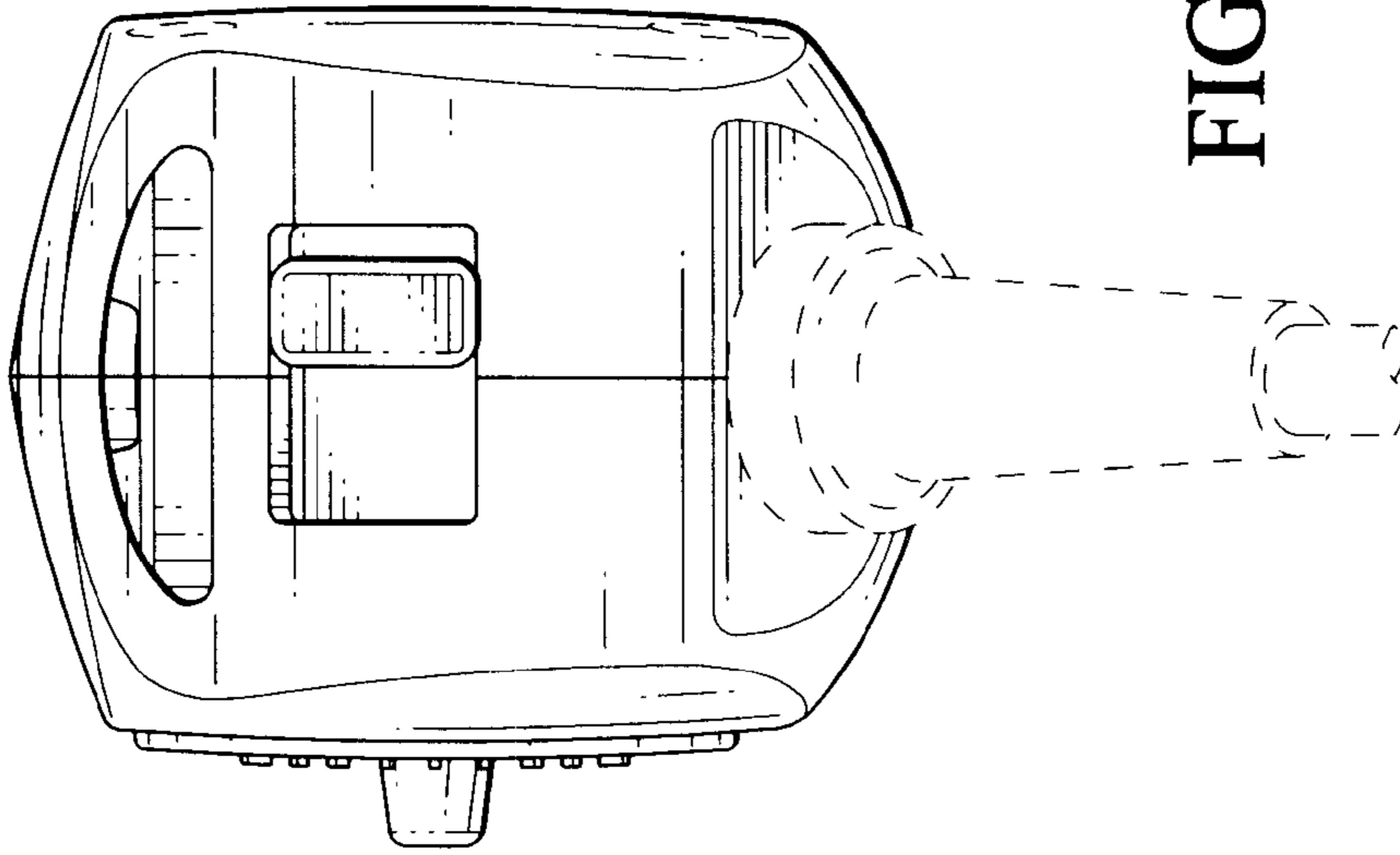


FIG. 5

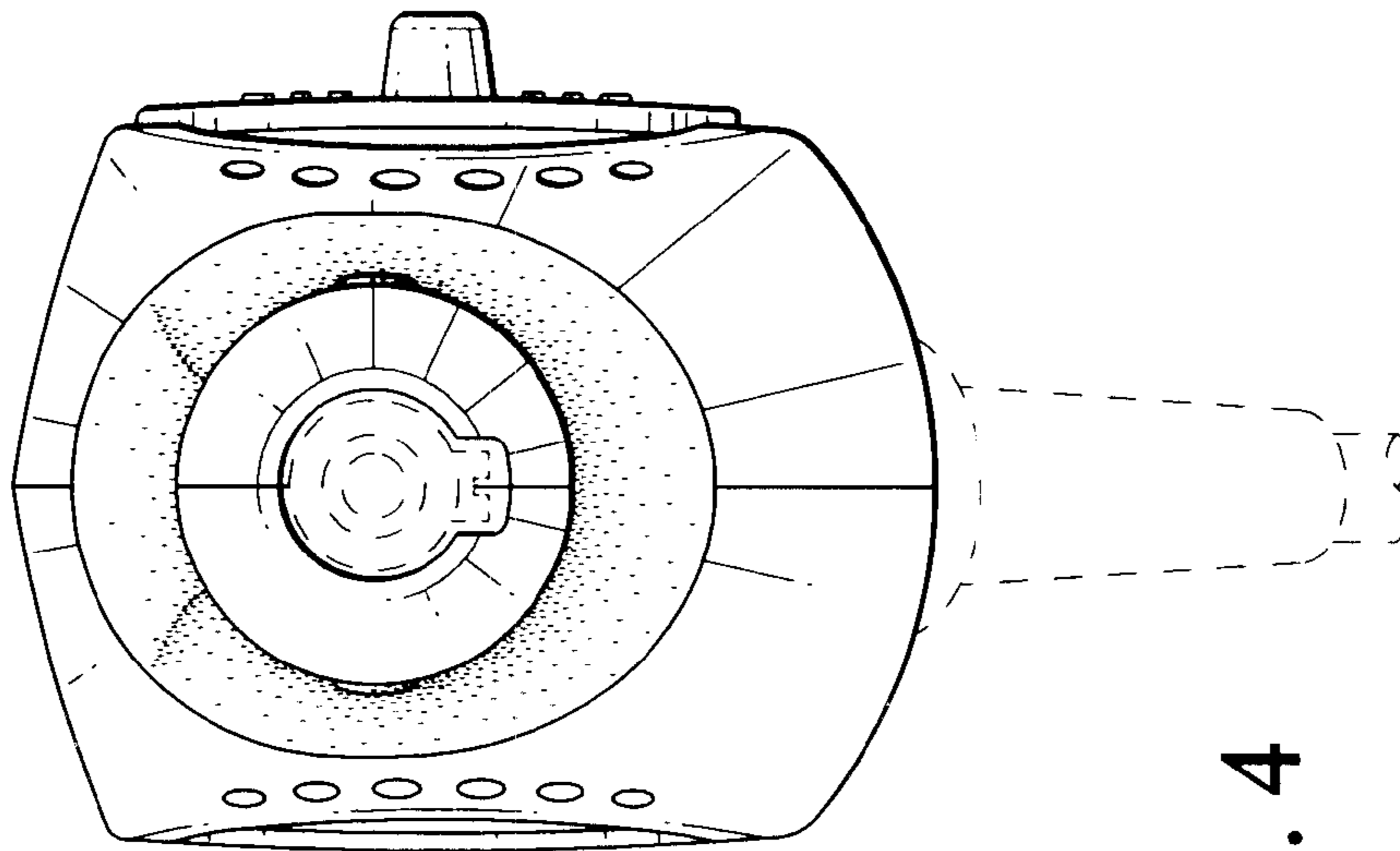


FIG. 4

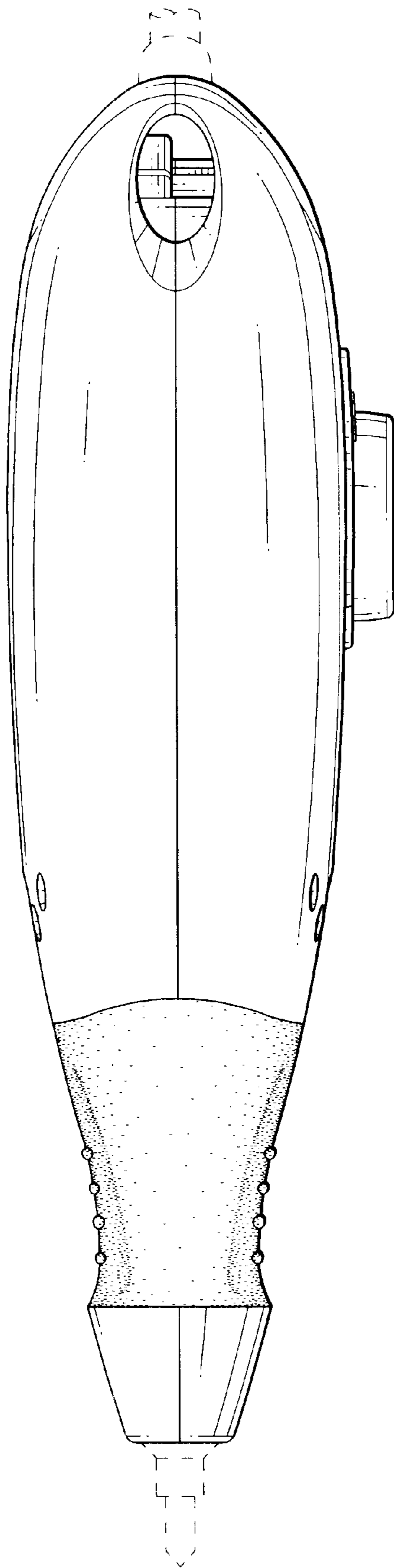


FIG. 6

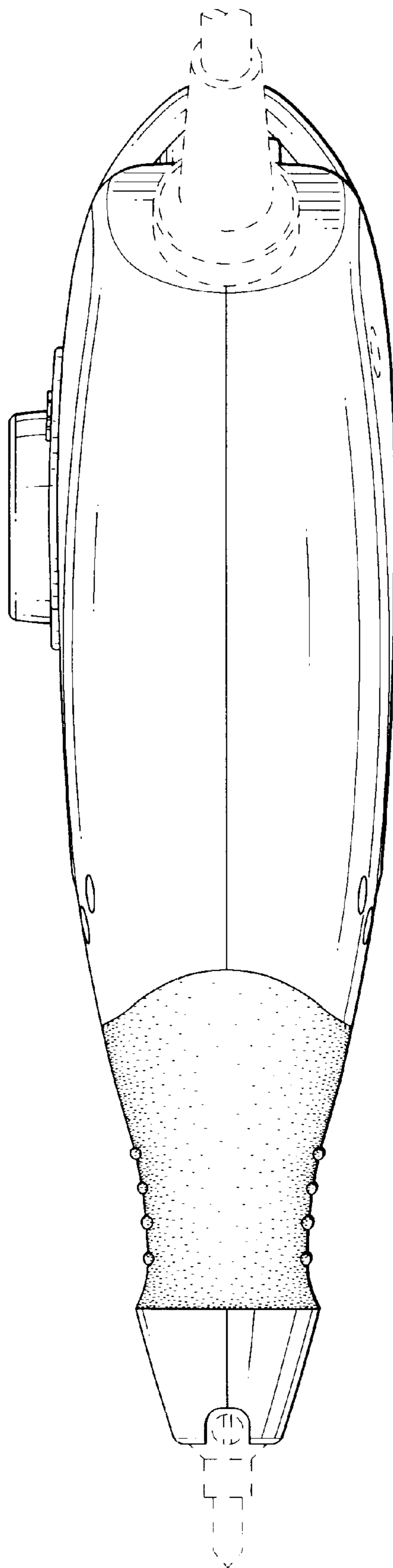


FIG. 7