



US00D483632S

(12) **United States Design Patent**  
**Masseria**

(10) **Patent No.:** **US D483,632 S**

(45) **Date of Patent:** **\*\* Dec. 16, 2003**

(54) **CONCRETE LEVELING TOOL**

5,611,102 A 3/1997 Lesinsky et al. .... 15/235.5  
5,727,279 A 3/1998 Pike, Jr. .... 15/235.4

(76) Inventor: **Matthew Masseria**, 53 Bishop St.,  
Staten Island, NY (US) 10306

\* cited by examiner

(\*\*) Term: **14 Years**

*Primary Examiner*—Holly Baynham  
(74) *Attorney, Agent, or Firm*—Goldstein & Lavas, P.C.

(21) Appl. No.: **29/166,620**

(57) **CLAIM**

(22) Filed: **Sep. 3, 2002**

The ornamental design for a concrete leveling tool, as shown and described.

(51) **LOC (7) Cl.** ..... **08-05**

(52) **U.S. Cl.** ..... **D8/45**

(58) **Field of Search** ..... D8/45; 294/3.5;  
15/235.4, 235.5, 235.8

**DESCRIPTION**

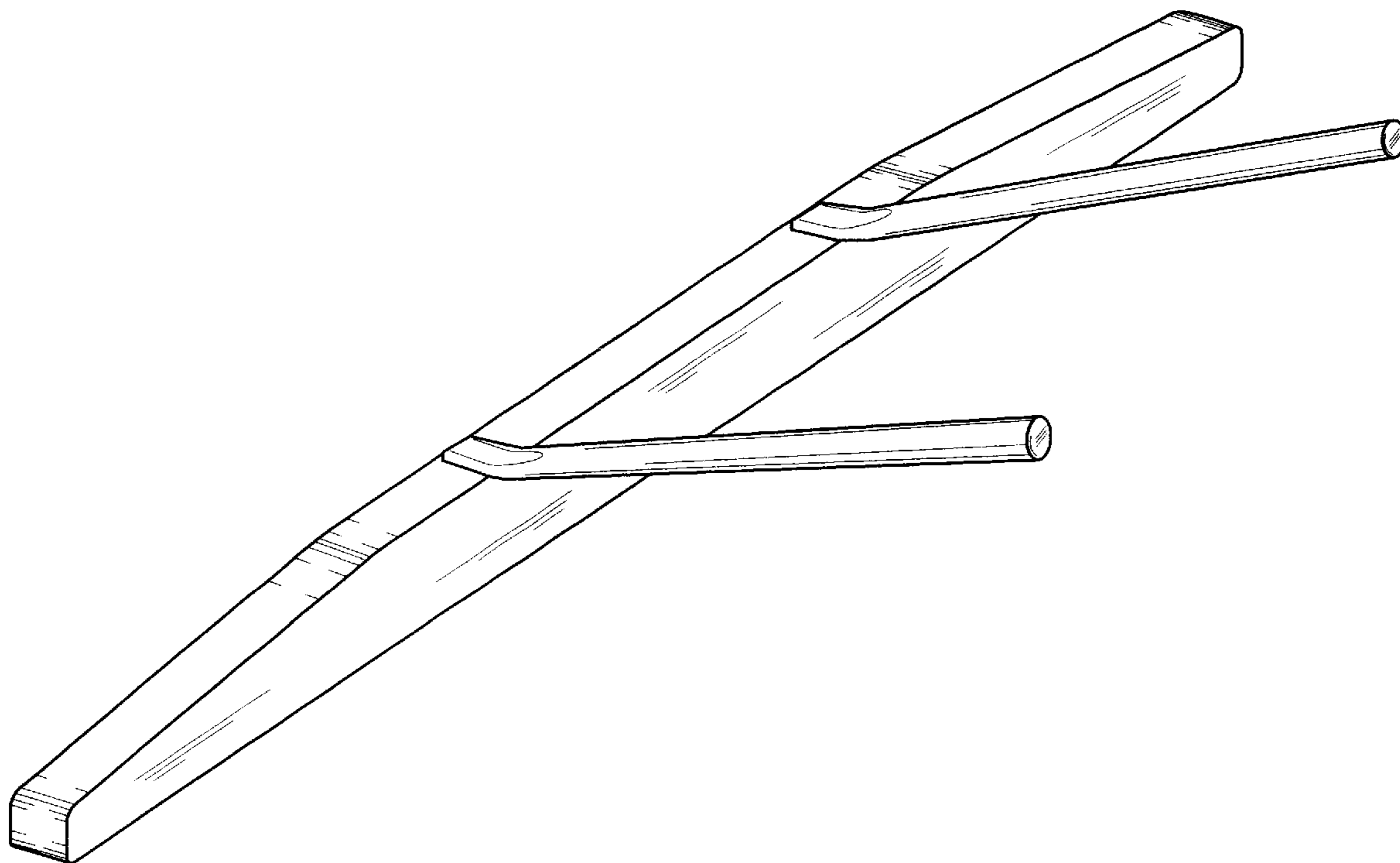
(56) **References Cited**

**U.S. PATENT DOCUMENTS**

400,590 A *	4/1889	Moore	15/235.5
1,031,406 A *	7/1912	Whitman	15/235.5
1,564,172 A	12/1925	Busch	15/235.8
2,608,852 A *	9/1952	Whalen	15/235.4
3,082,460 A	3/1963	Haivala	15/235.4
3,090,066 A	5/1963	Ferrell	15/235.8
D214,985 S *	8/1969	Davis	D8/45
4,079,977 A	3/1978	Linse	294/3.5
4,702,641 A	10/1987	Naser et al.	404/97
5,605,415 A	2/1997	Shamblin	404/118

FIG. 1 is a perspective view of a concrete leveling tool.  
FIG. 2 is a front elevational view thereof.  
FIG. 3 is a rear elevational view thereof.  
FIG. 4 is a right side elevational view thereof.  
FIG. 5 is a left side elevational view thereof.  
FIG. 6 is a top plan view of the concrete leveling tool.  
FIG. 7 is a bottom plan view thereof; and,  
FIG. 8 is a perspective view of the concrete leveling tool in use in full lines with concrete and a user shown in broken lines representing environmental association matter being for illustrative purposes only and forming no part of the claimed invention.

**1 Claim, 5 Drawing Sheets**



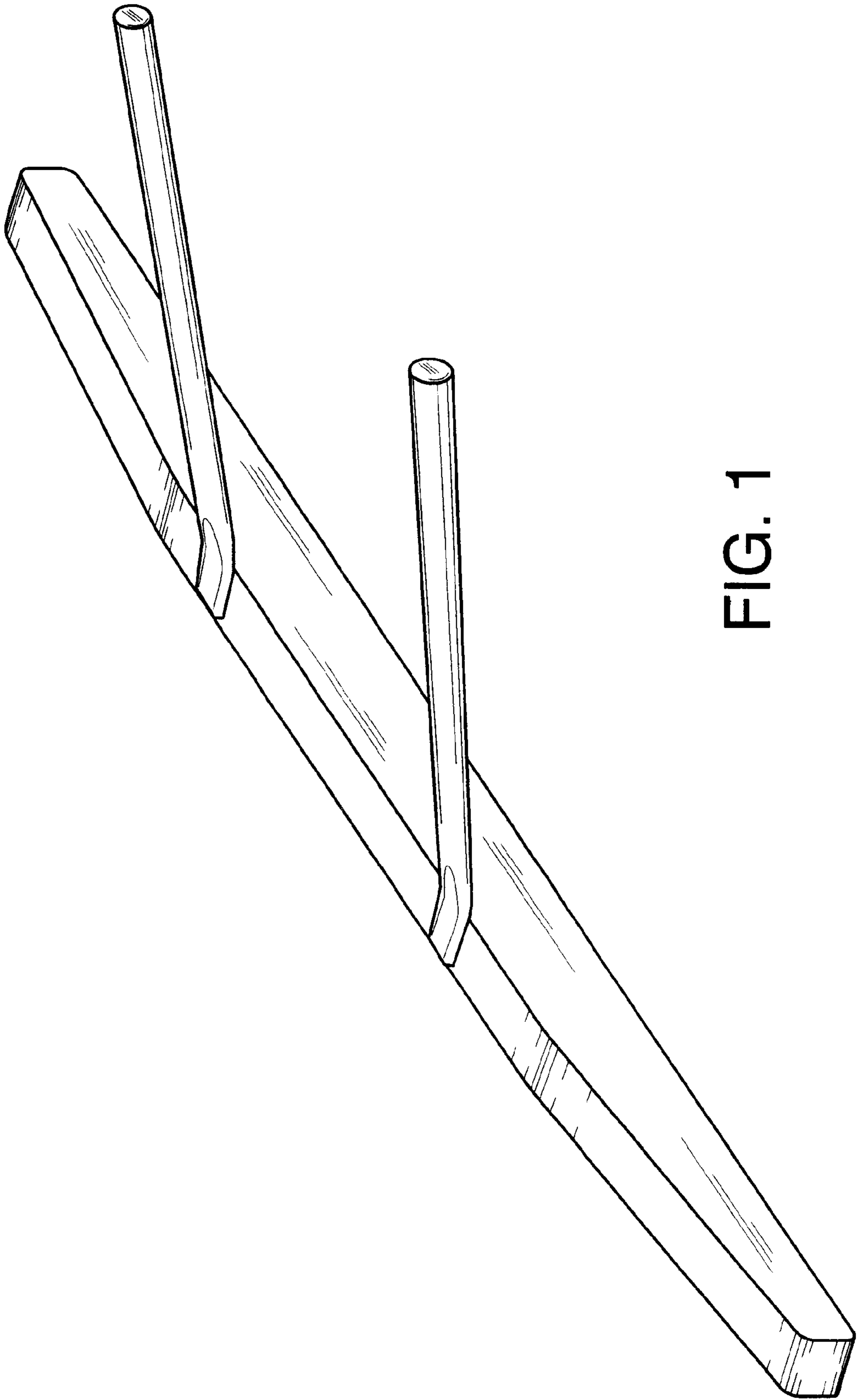


FIG. 1

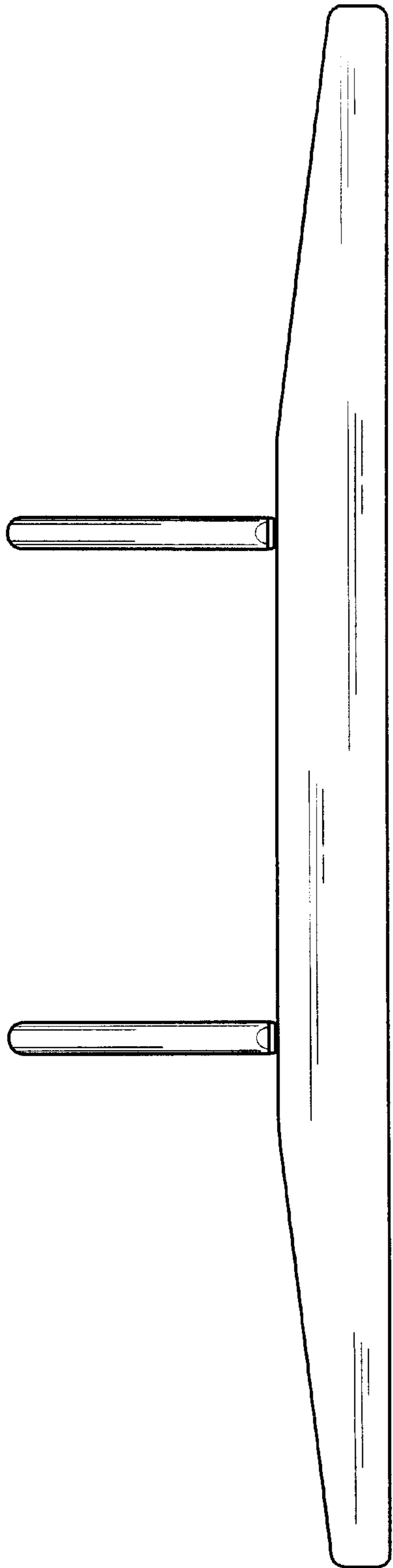


FIG. 2

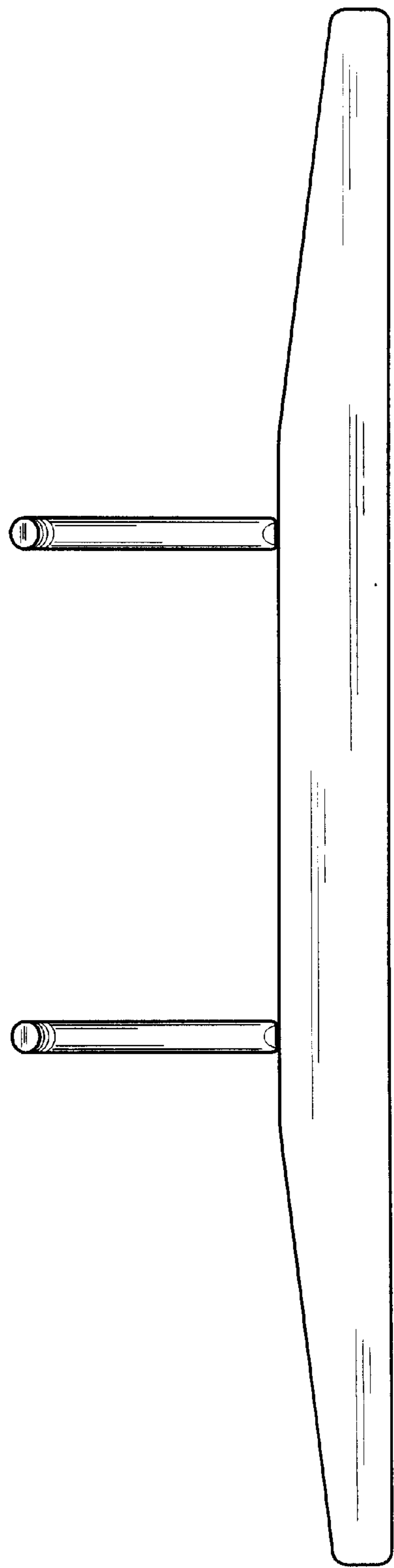


FIG. 3

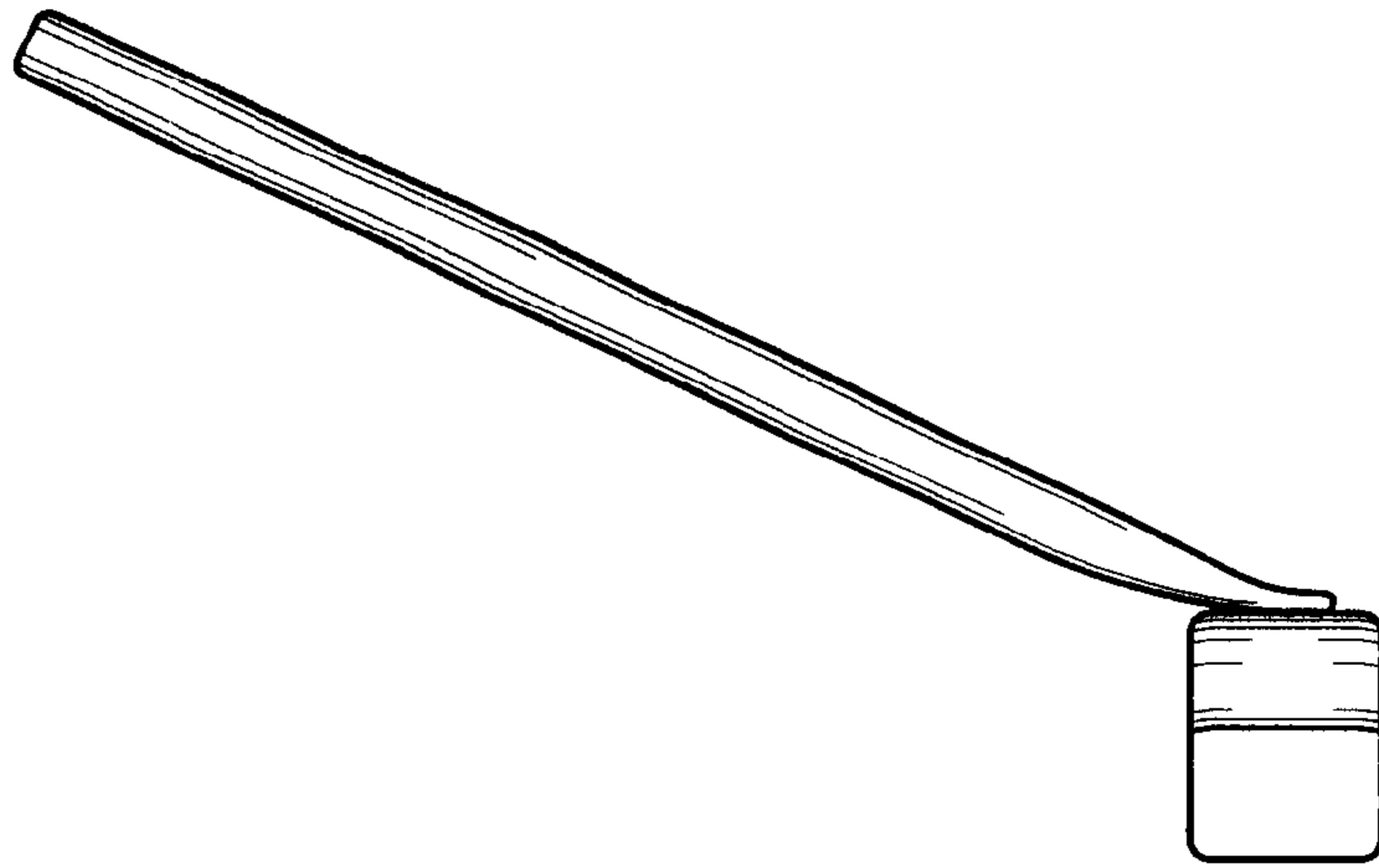


FIG. 4

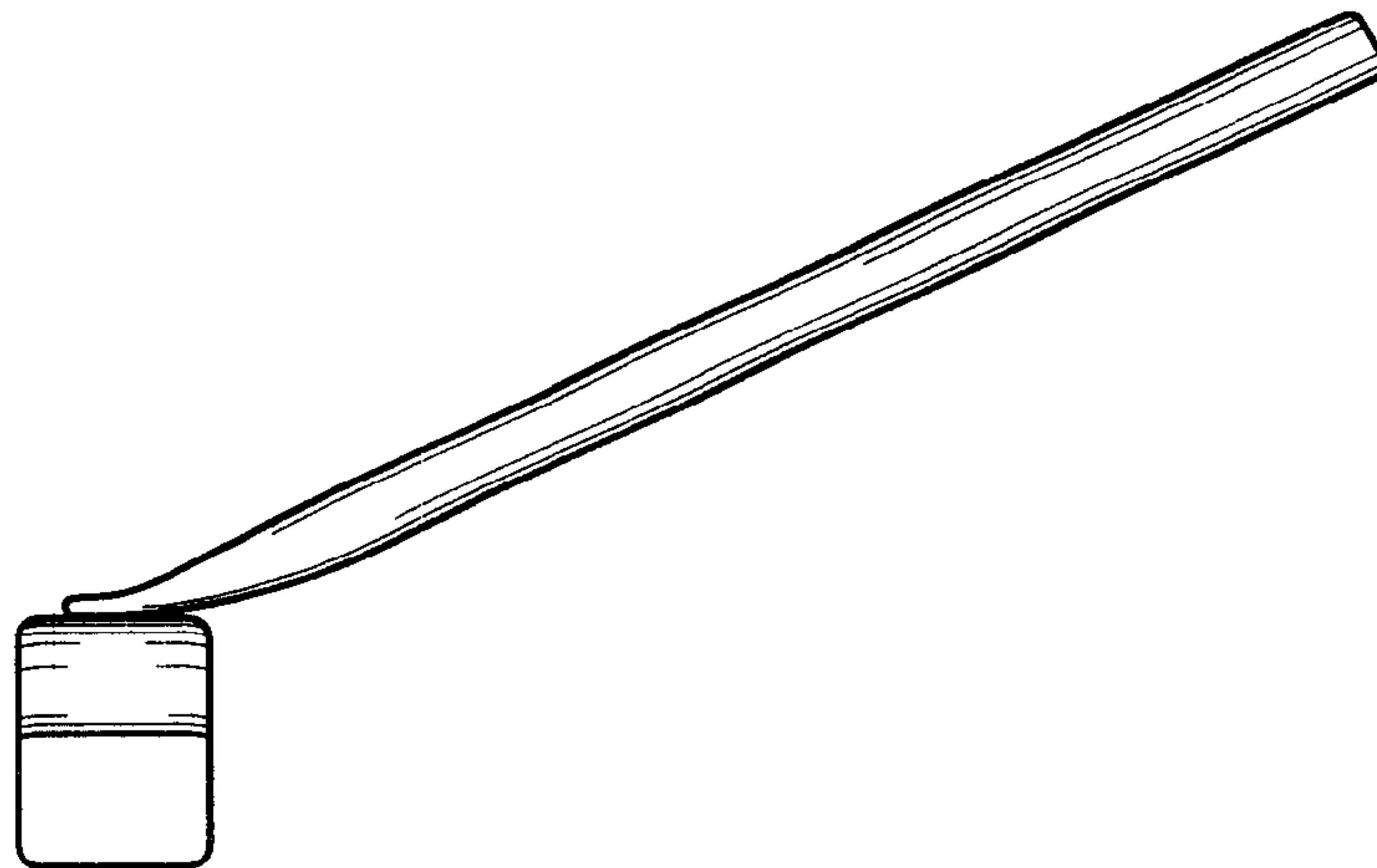


FIG. 5

FIG. 6

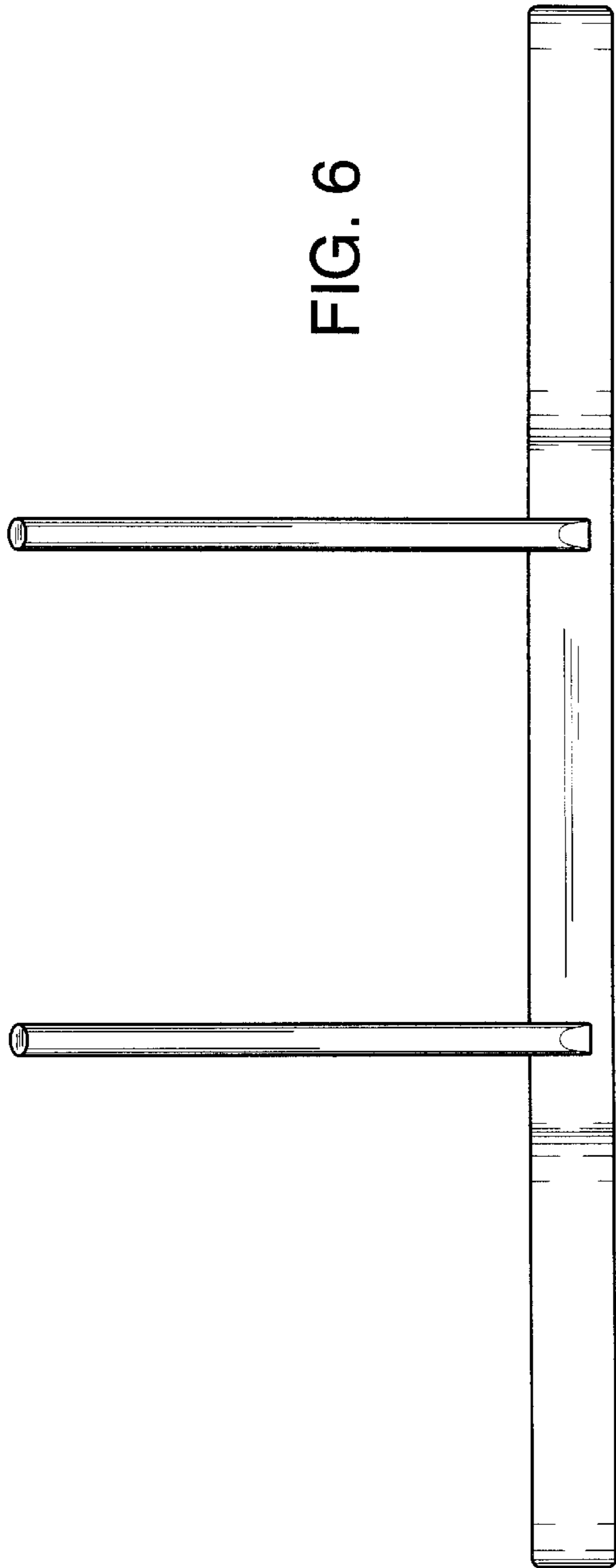
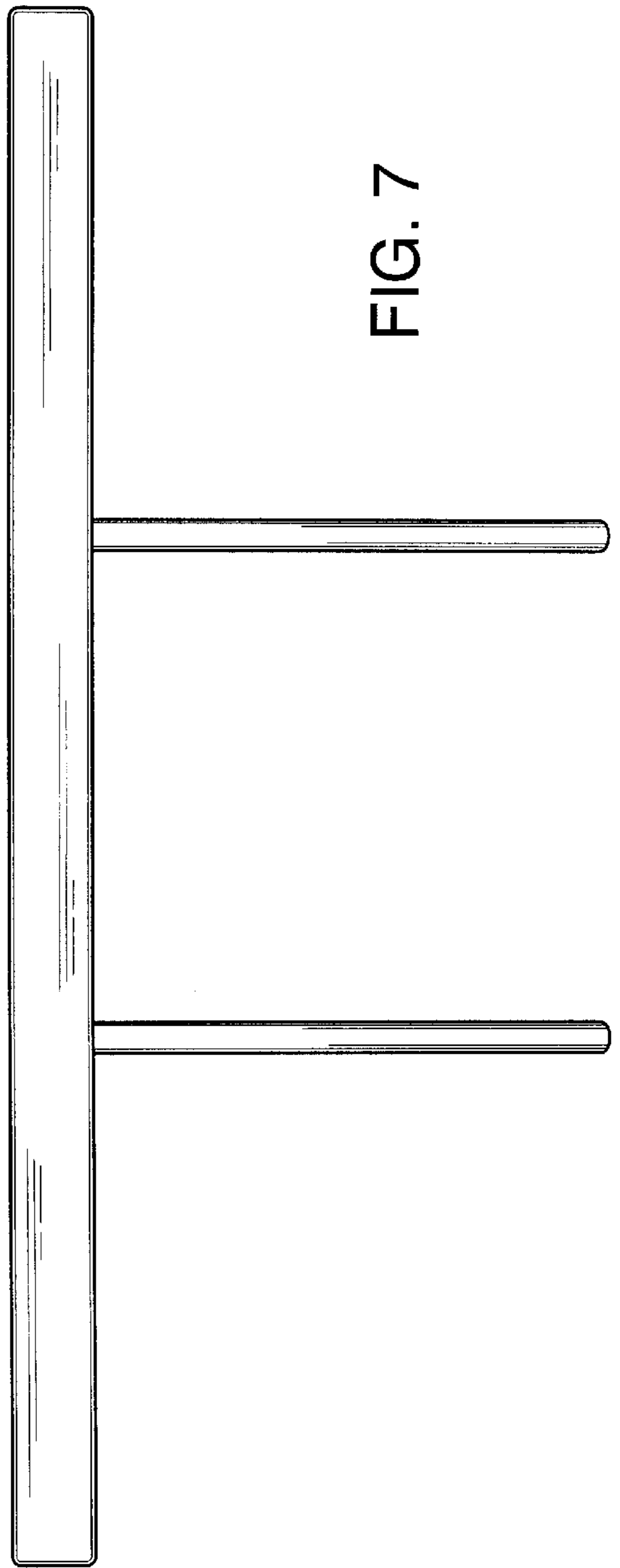


FIG. 7



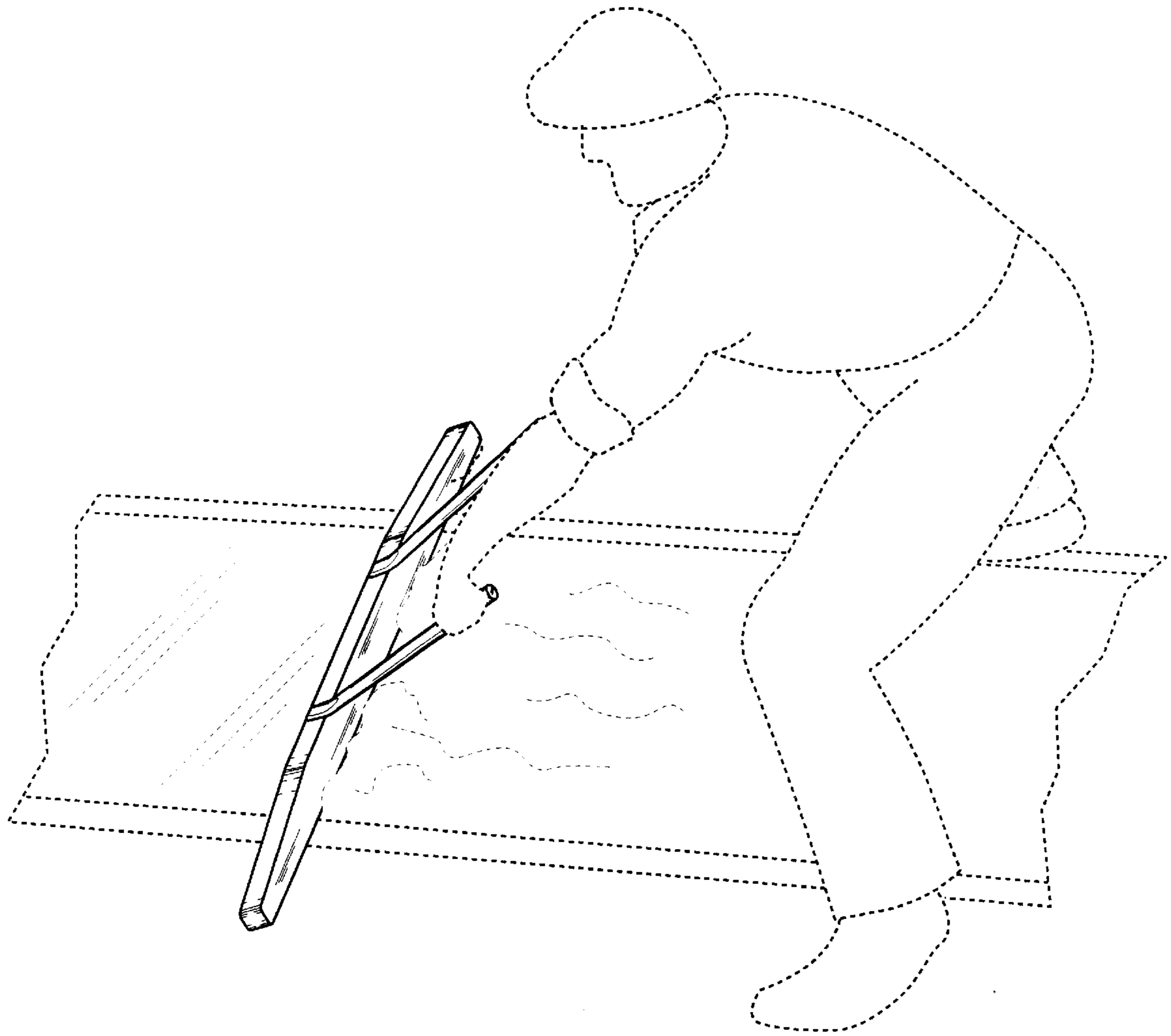


FIG. 8