



US00D483629S

(12) **United States Design Patent**  
**Markfelder**

(10) **Patent No.:** **US D483,629 S**

(45) **Date of Patent:** **\*\* Dec. 16, 2003**

(54) **WEED SHIELD**

(75) Inventor: **Ronald E. Markfelder**, Willmar, MN (US)

(73) Assignee: **Molenaar, Inc.**, Willmar, MN (US)

(\*\*) Term: **14 Years**

(21) Appl. No.: **29/180,232**

(22) Filed: **Apr. 22, 2003**

(51) **LOC (7) Cl.** ..... **08-01**

(52) **U.S. Cl.** ..... **D8/1**

(58) **Field of Search** ..... D8/1; 47/20.1,  
47/23.1, 23.2, 24.1, 25.1, 32, 29.1, 31,  
31.1, 32.4, 32.7, 58

|               |         |           |       |
|---------------|---------|-----------|-------|
| 4,986,025 A   | 1/1991  | Imperial  |       |
| 5,058,317 A   | 10/1991 | McMurtrey |       |
| 5,231,793 A   | 8/1993  | Allen     |       |
| 5,361,536 A   | 11/1994 | Myer      |       |
| 5,502,921 A   | 4/1996  | Hyslop    |       |
| 5,509,231 A   | 4/1996  | Marcoux   |       |
| 5,528,855 A * | 6/1996  | Kappahn   | 47/32 |
| 5,794,378 A   | 8/1998  | Beatrez   |       |
| 5,918,411 A   | 7/1999  | Hadrava   |       |
| 6,412,217 B1  | 7/2002  | Hynninen  |       |

\* cited by examiner

*Primary Examiner*—Holly Baynham

(57) **CLAIM**

The ornamental design of the weed shield, as shown and described.

**DESCRIPTION**

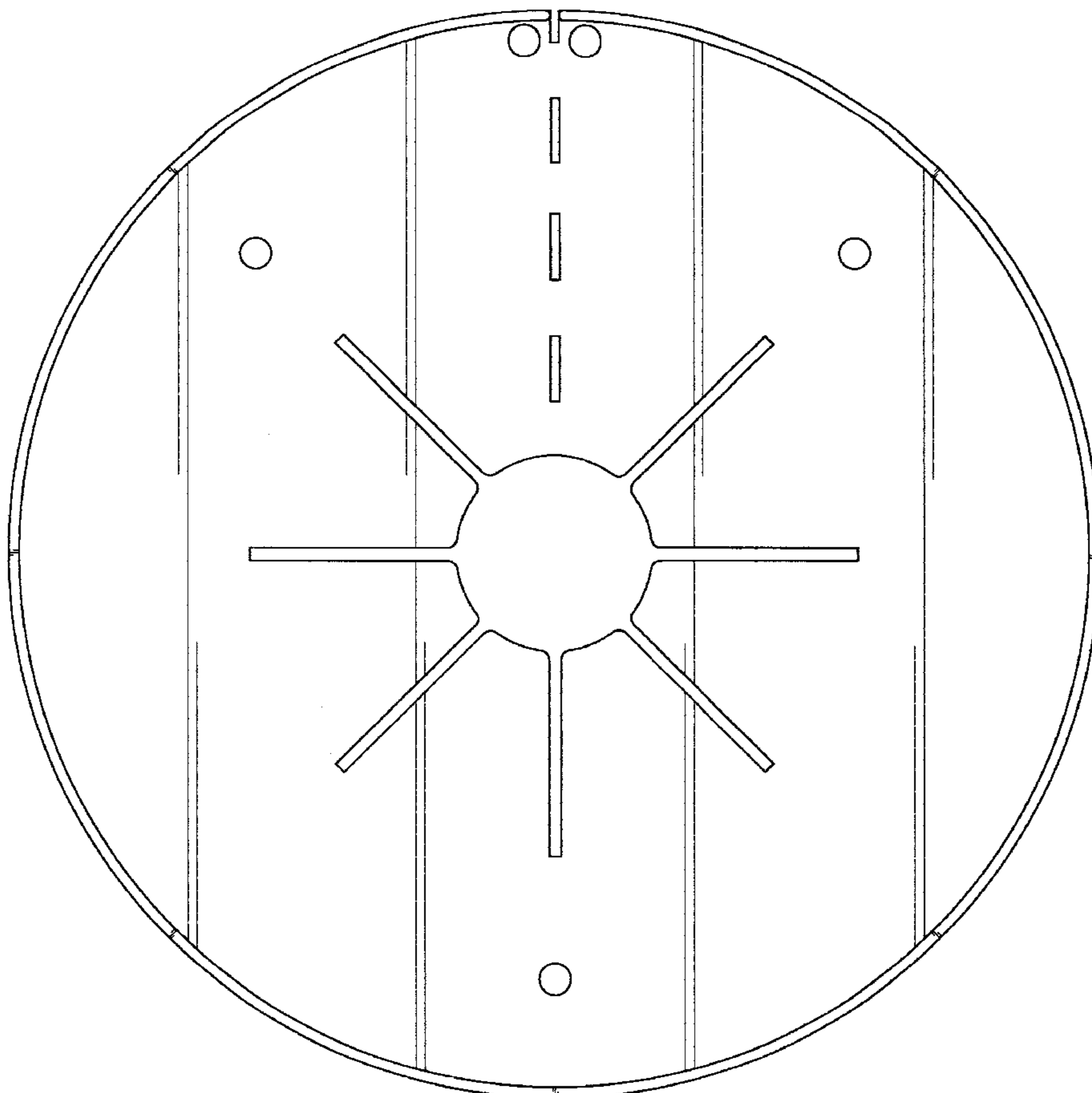
FIG. 1 is a front plan view of a weed shield of my new design;  
FIG. 2 is a top plan view thereof;  
FIG. 3 is a bottom plan view thereof;  
FIG. 4 is a side elevational view of the right side thereof;  
FIG. 5 is a back plan view thereof; and,  
FIG. 6 is a side elevational view of the left side thereof.

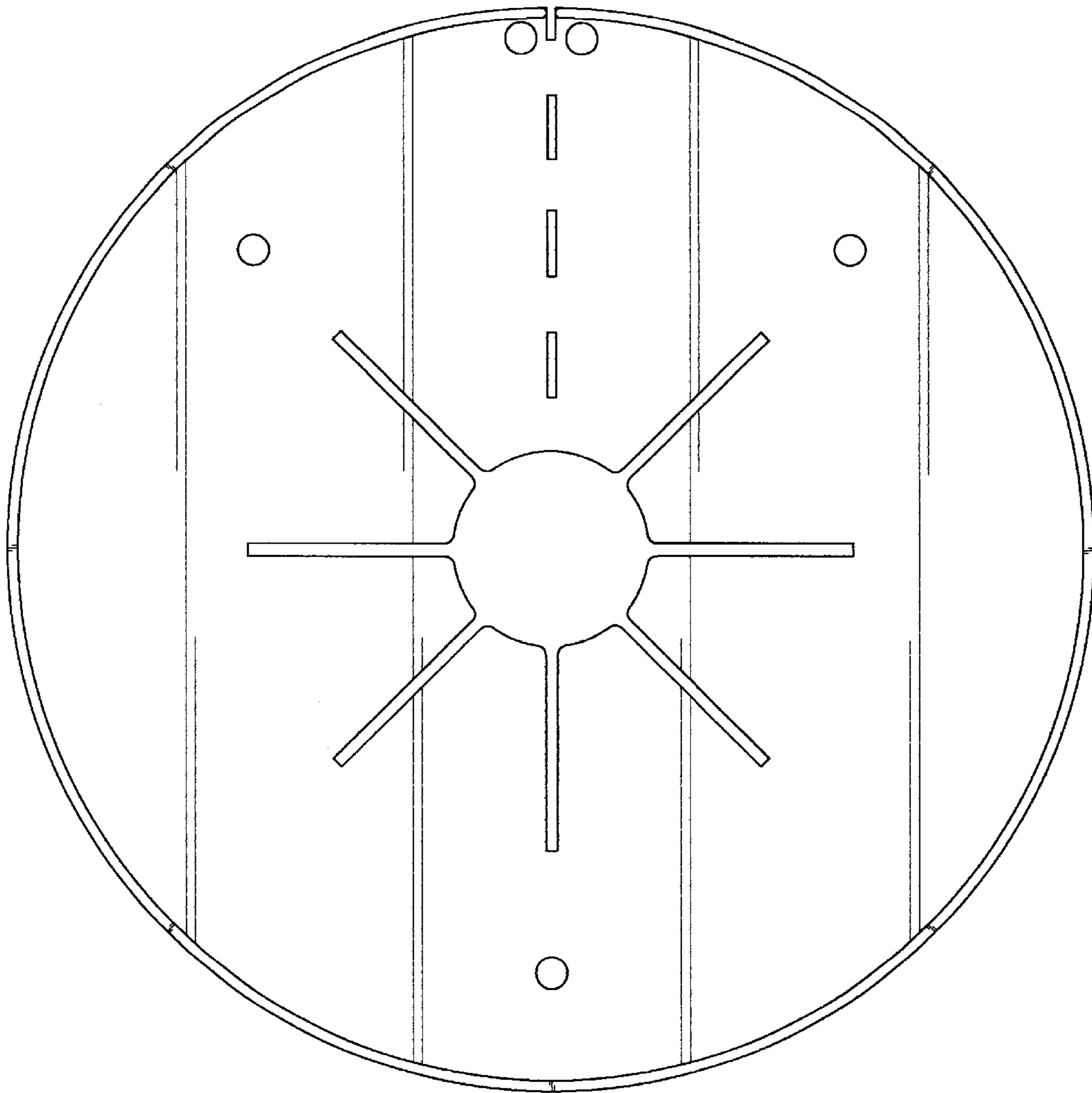
(56) **References Cited**

**U.S. PATENT DOCUMENTS**

|               |         |             |       |
|---------------|---------|-------------|-------|
| 1,931,602 A   | 10/1933 | Colman      |       |
| 3,305,969 A * | 2/1967  | Mattson     | 47/32 |
| 3,571,972 A   | 3/1971  | Carter, Jr. |       |
| 4,268,992 A   | 5/1981  | Scharf, Sr. |       |
| 4,648,203 A   | 3/1987  | Worzek      |       |
| D299,409 S    | 1/1989  | Inglis      | D8/1  |
| D303,750 S    | 10/1989 | Inglis      | D8/1  |

**1 Claim, 2 Drawing Sheets**

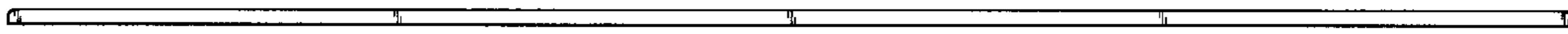




**FIG. 1**



**FIG. 2**



**FIG. 3**

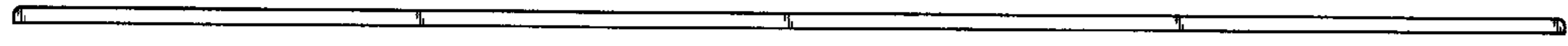


FIG. 6

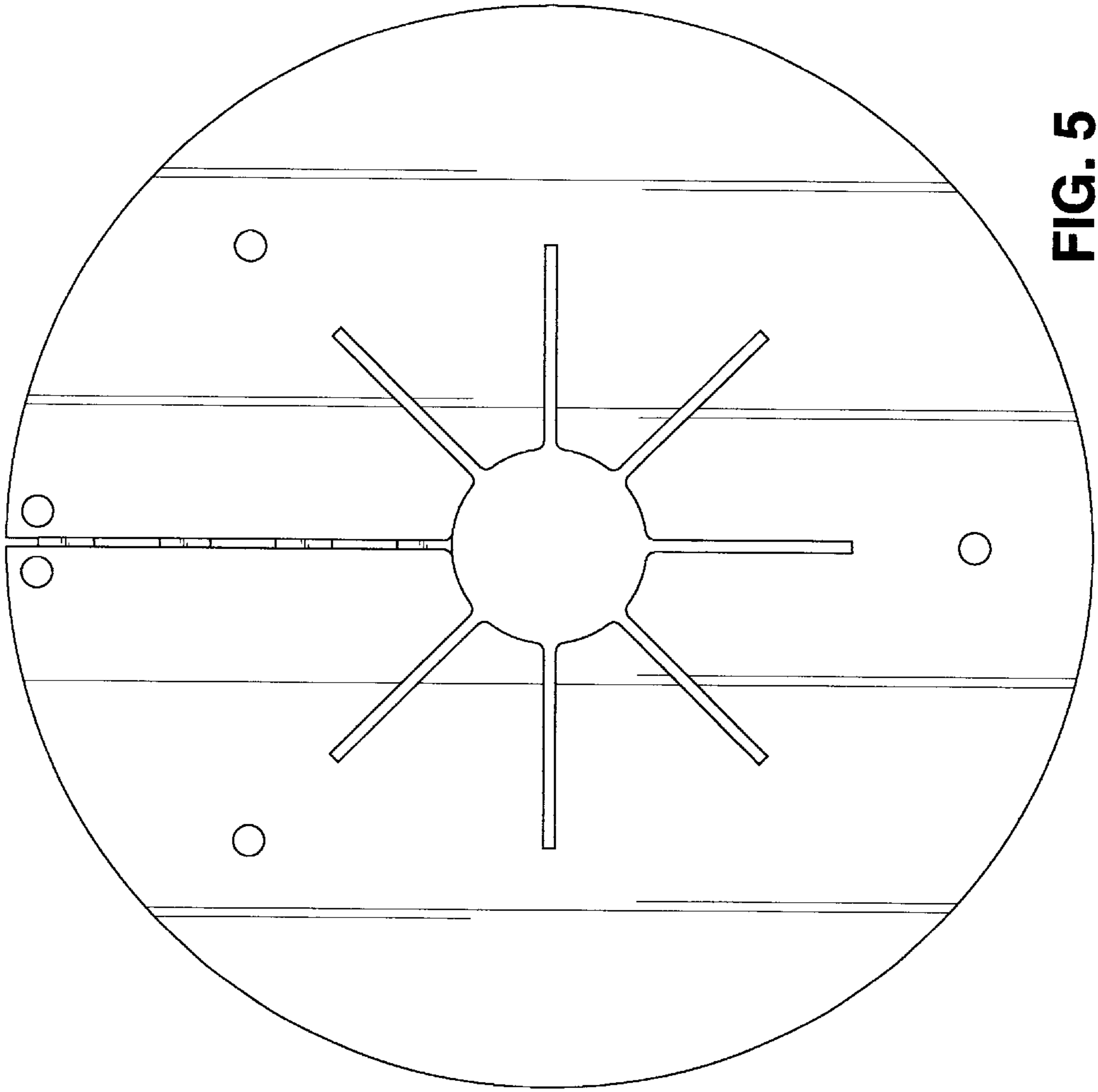


FIG. 5

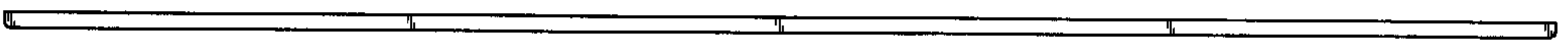


FIG. 4