



US00D483626S

(12) **United States Design Patent**
Jeffries

(10) **Patent No.:** **US D483,626 S**

(45) **Date of Patent:** **** Dec. 16, 2003**

(54) **ICE SCOOP**

(76) **Inventor:** **Kairi Majid Jeffries**, 394 1st St., Apt.
4, Jersey City, NJ (US) 07302

(**) **Term:** **14 Years**

(21) **Appl. No.:** **29/167,764**

(22) **Filed:** **Sep. 20, 2002**

(51) **LOC (7) Cl.** **07-02**

(52) **U.S. Cl.** **D7/692; D30/162**

(58) **Field of Search** D7/681-697, 653,
D7/393, 395; 30/325; 294/9, 55, 1.1, 1.3;
D30/162

(56) **References Cited**

U.S. PATENT DOCUMENTS

| | | | | | |
|-------------|---|---------|-----------|-------|--------|
| 433,546 A | * | 8/1890 | Smith | | 30/325 |
| 902,954 A | * | 11/1908 | Felty | | 30/325 |
| 1,287,901 A | * | 12/1918 | Custer | | 294/55 |
| 1,441,194 A | | 1/1923 | Forssberg | | |

| | | | | | |
|------------|---|--------|-------------|-------|---------|
| D307,694 S | * | 5/1990 | Billie | | D7/692 |
| D324,979 S | | 3/1992 | Aguirre | | D7/669 |
| D359,892 S | * | 7/1995 | Isbell, Sr. | | D30/162 |
| D362,161 S | | 9/1995 | Rosenkranz | | D7/691 |

* cited by examiner

Primary Examiner—Terry A. Wallace

(74) *Attorney, Agent, or Firm*—Goldstein & Lavas, P.C.

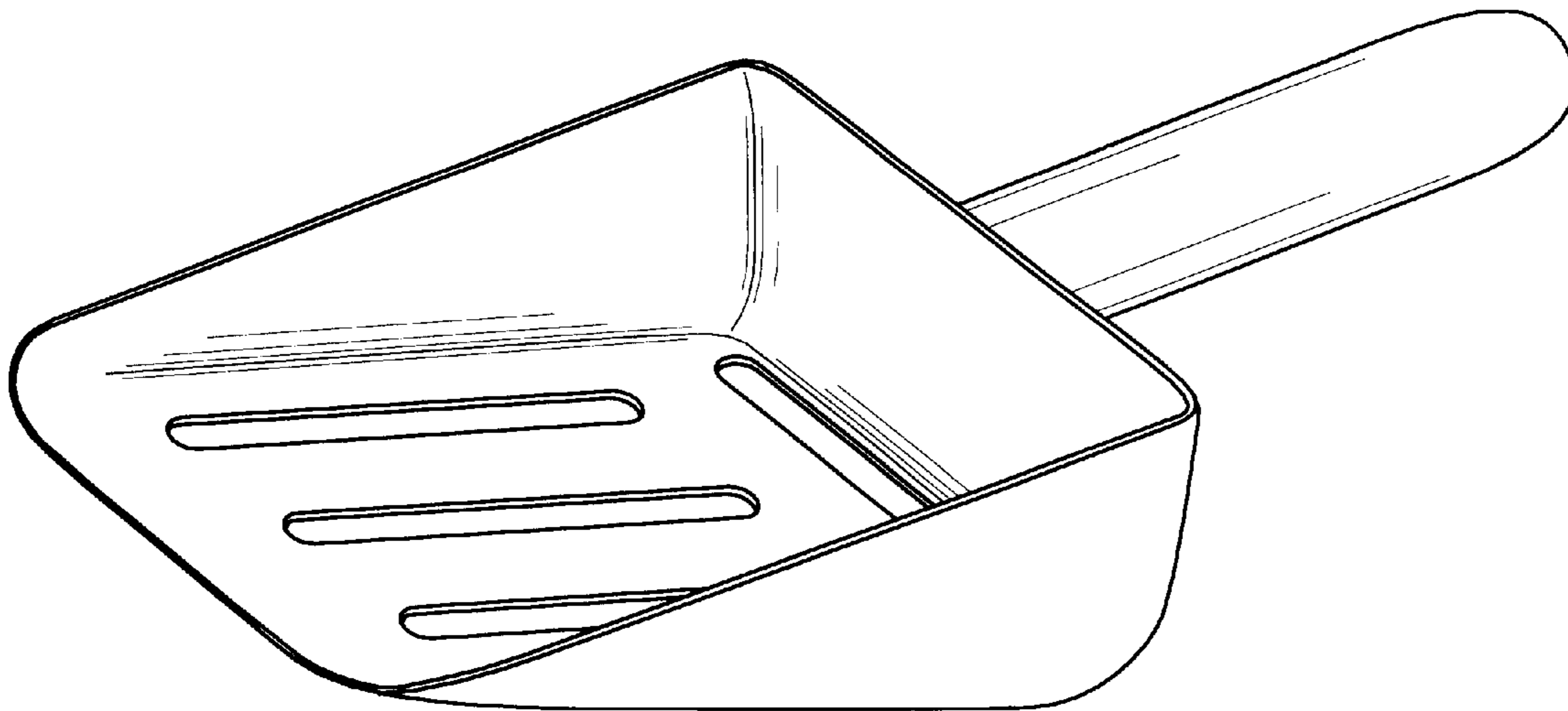
(57) **CLAIM**

The ornamental design for an ice scoop, as shown and described.

DESCRIPTION

FIG. 1 is a perspective view of an ice scoop.
FIG. 2 is a front elevational view thereof.
FIG. 3 is a rear elevational view thereof.
FIG. 4 is a right side elevational view thereof.
FIG. 5 is a left side elevational view thereof.
FIG. 6 is a top plan view of the ice scoop; and,
FIG. 7 is a bottom plan view thereof.

1 Claim, 4 Drawing Sheets



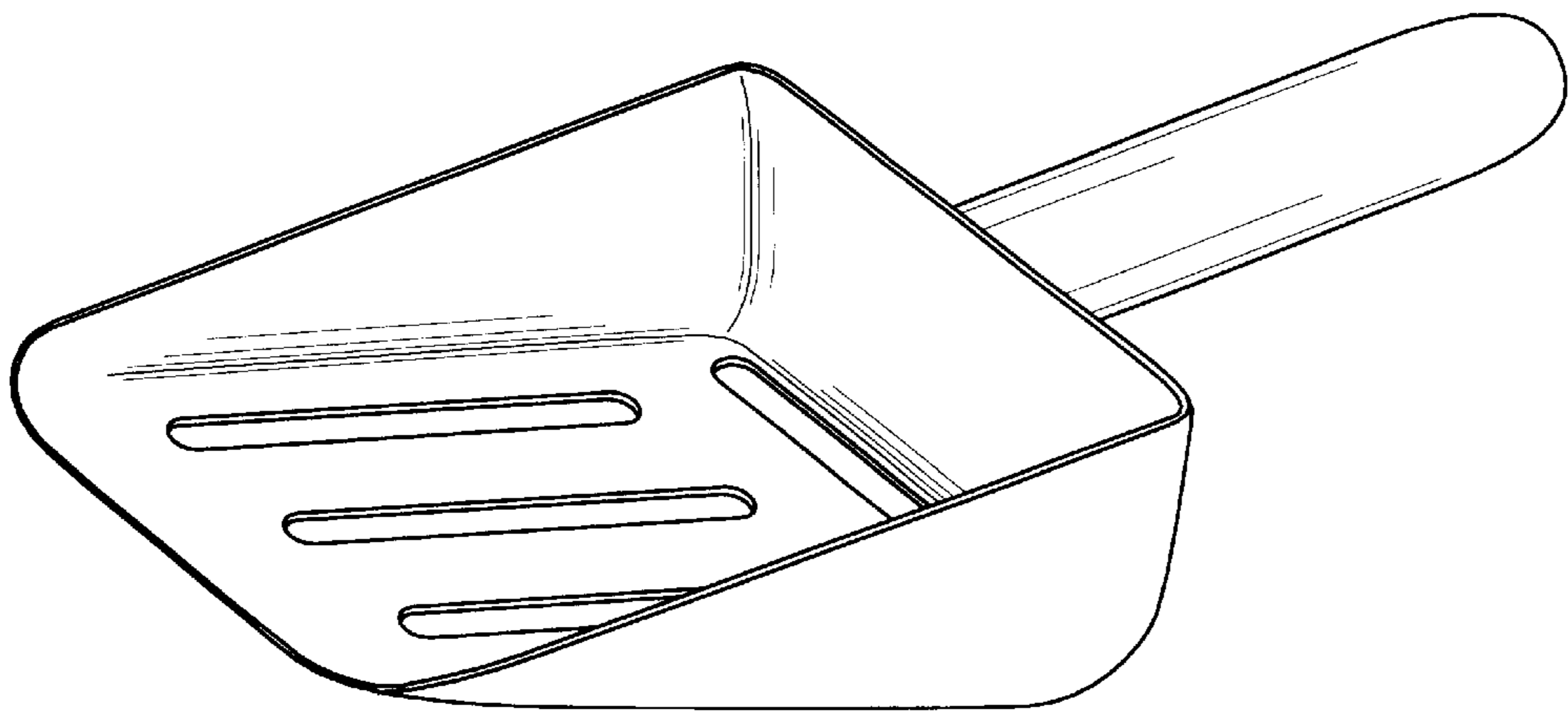


FIG. 1

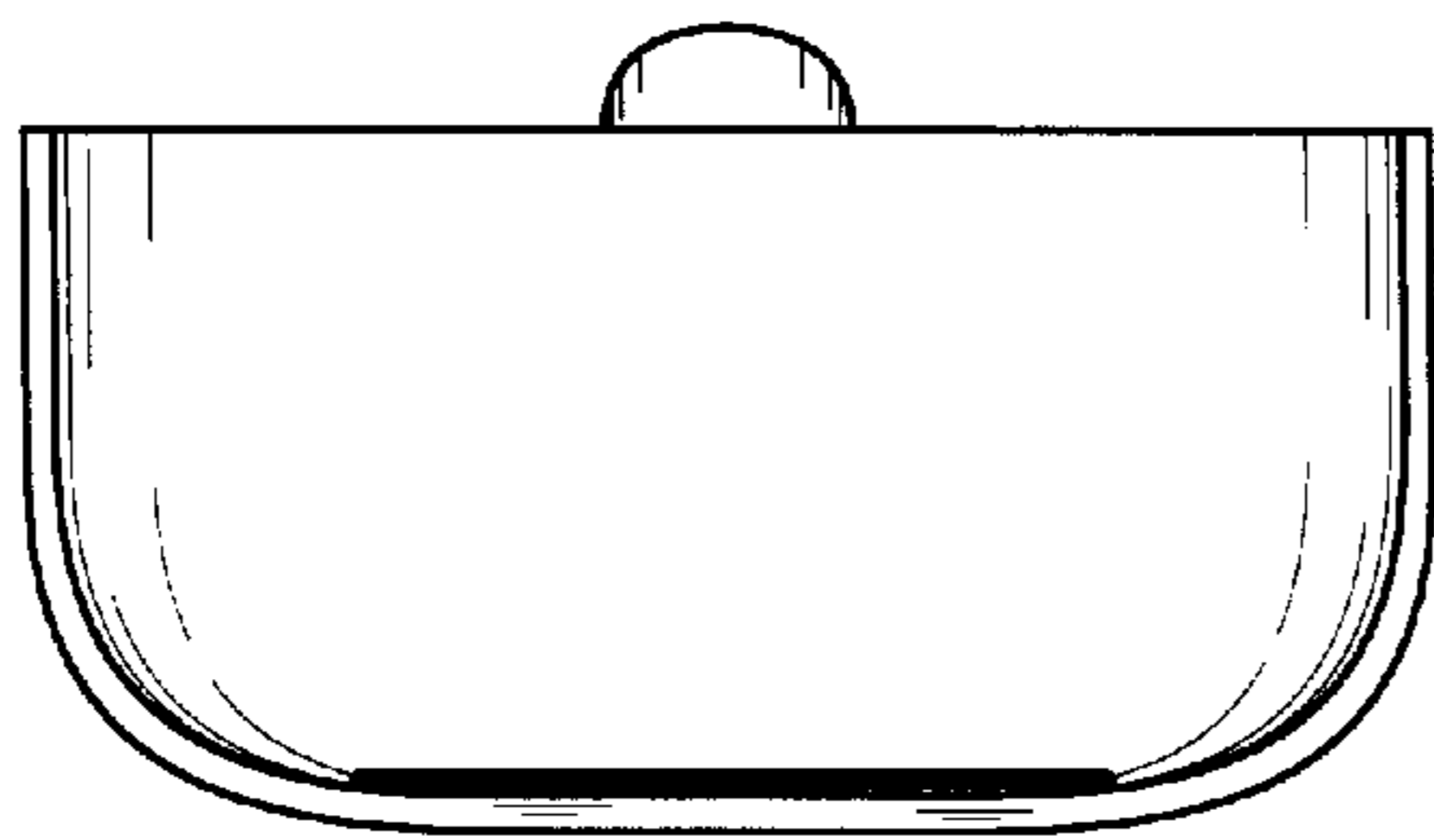


FIG. 2

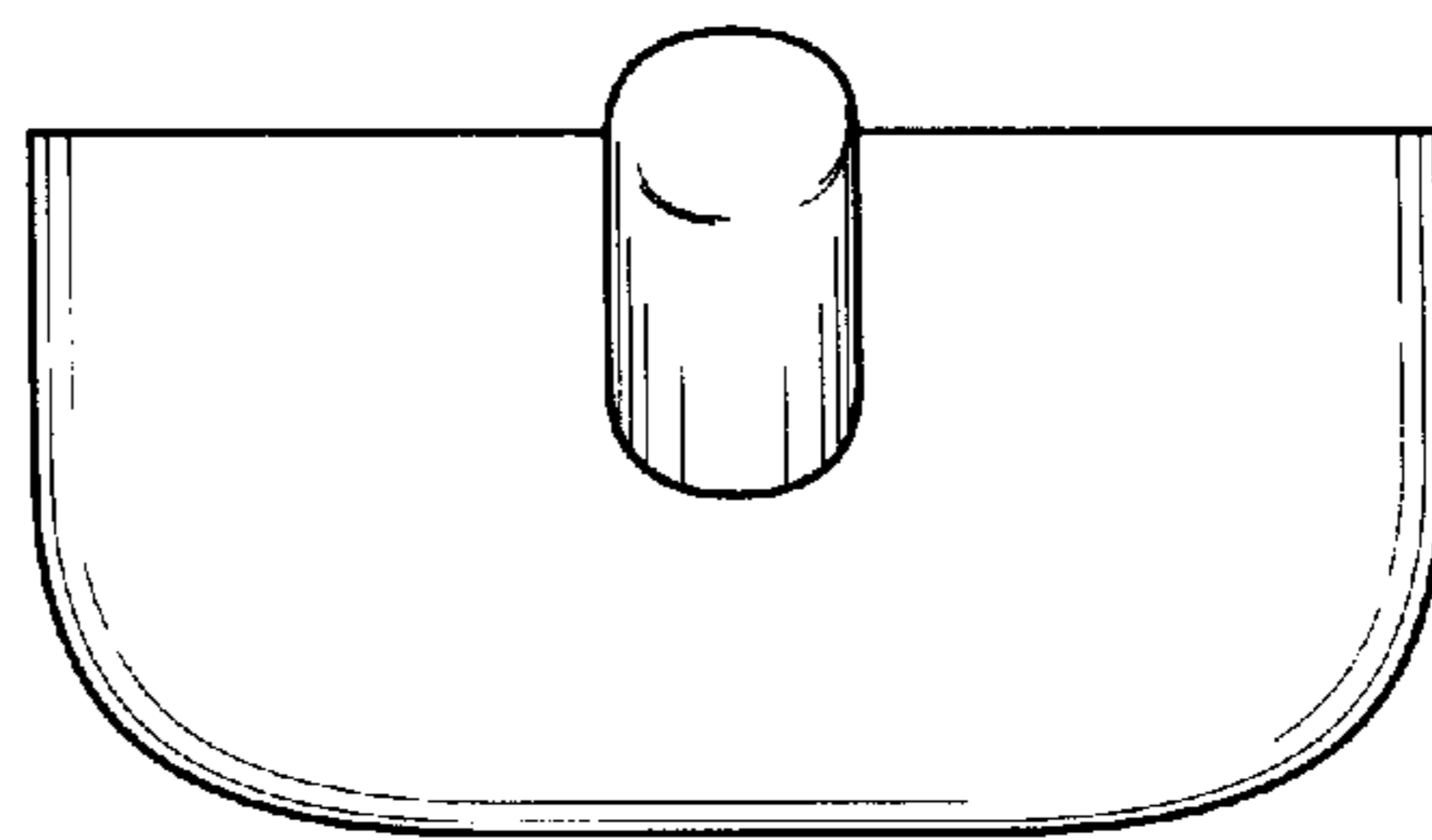


FIG. 3

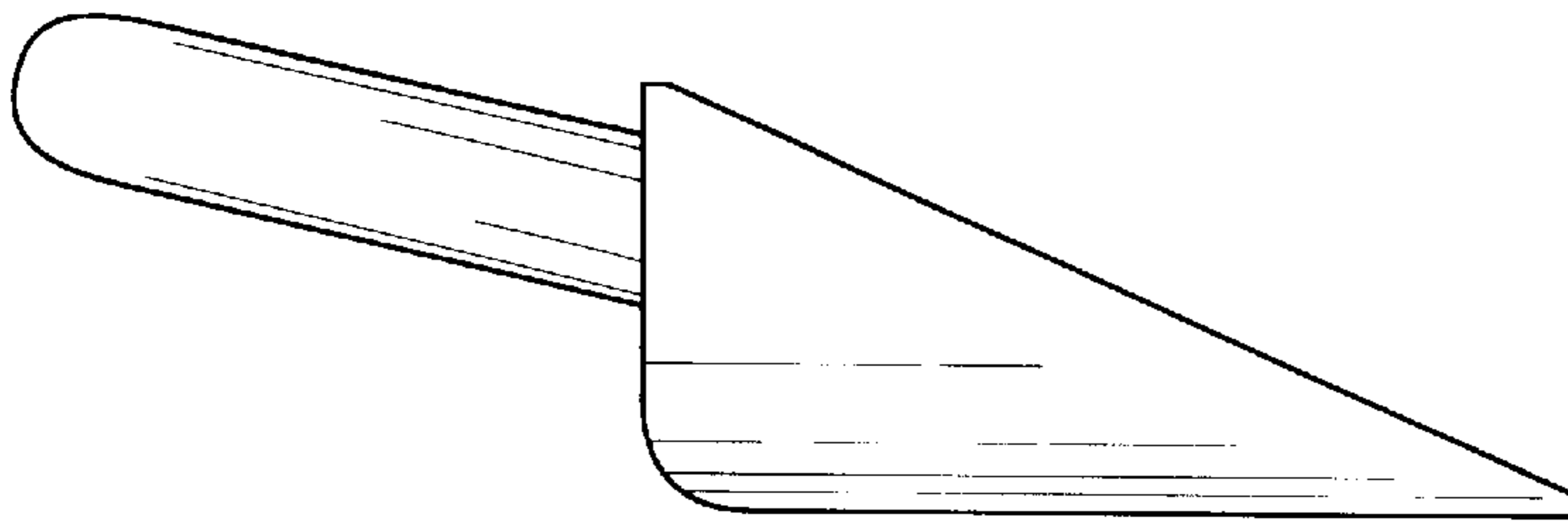


FIG. 4

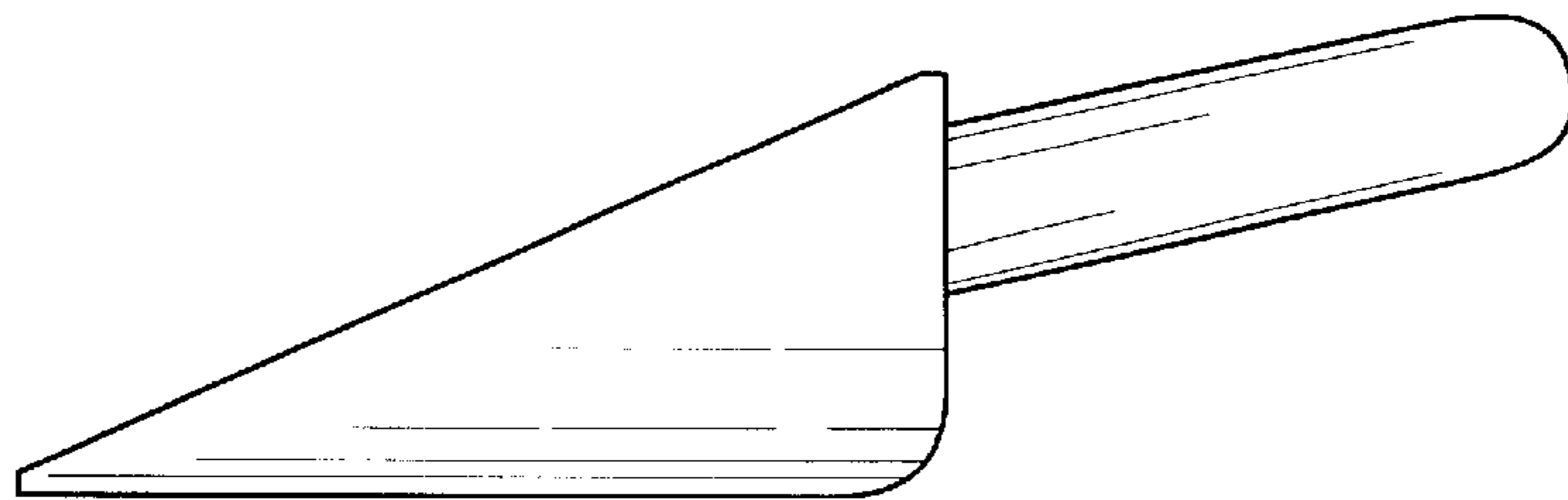


FIG. 5

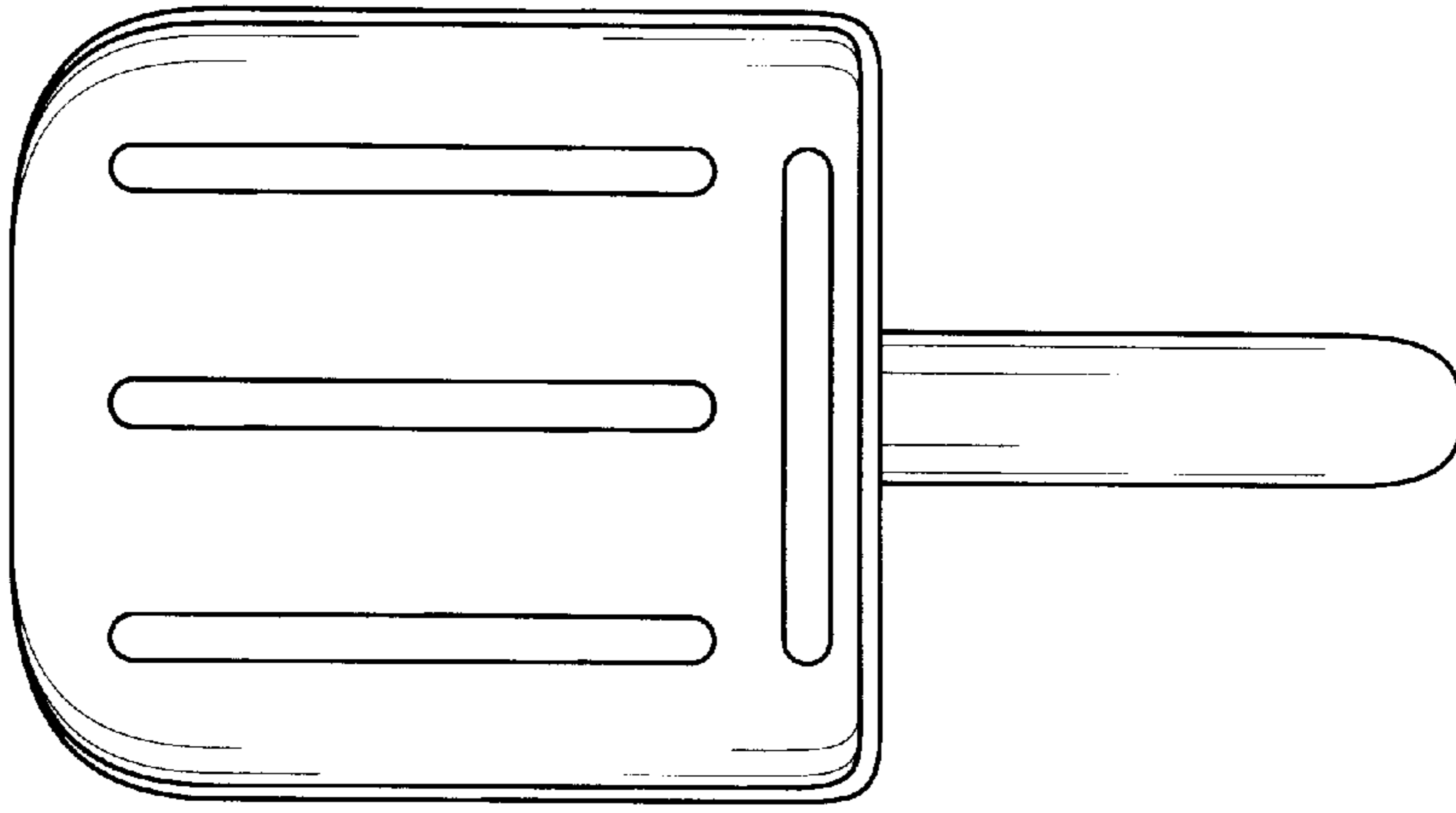


FIG. 6

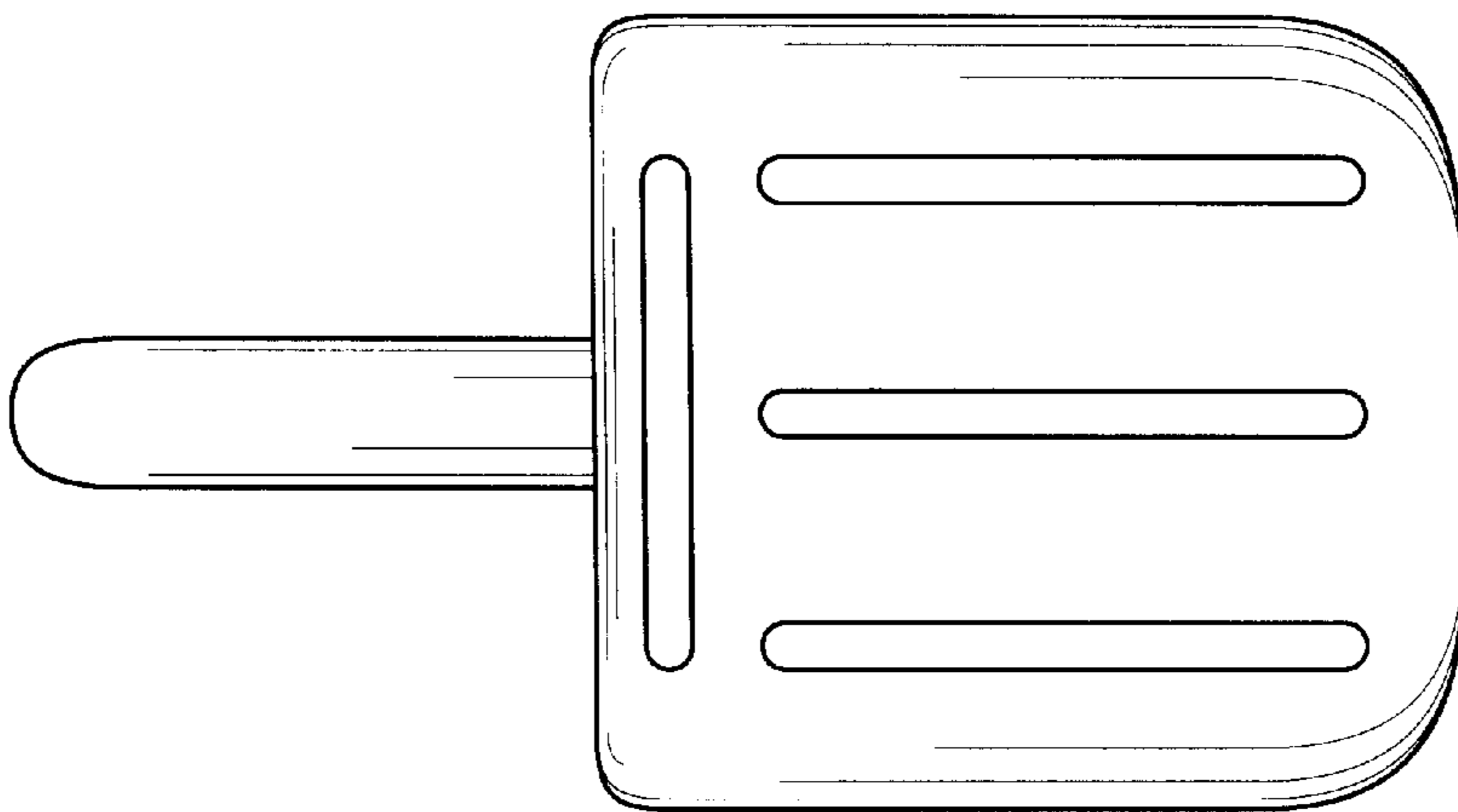


FIG. 7