



US00D483622S

(12) **United States Design Patent**
Kim

(10) **Patent No.:** **US D483,622 S**

(45) **Date of Patent:** **** Dec. 16, 2003**

(54) **CONTAINER FOR STORING FOODS**

(75) Inventor: **Chang-Ho Kim**, Incheon (KR)

(73) Assignee: **Hana Cobi Co., Ltd.**, Incheon (KR)

(**) Term: **14 Years**

(21) Appl. No.: **29/172,105**

(22) Filed: **Dec. 6, 2002**

(30) **Foreign Application Priority Data**

Sep. 2, 2002 (KR) 30-2002-0024932

(51) **LOC (7) Cl.** **07-07**

(52) **U.S. Cl.** **D7/629**

(58) **Field of Search** D7/601, 602, 629,
D7/538-542; D3/201, 203, 205, 206, 273,
274, 281, 282; D9/414, 424, 425, 430-432;
220/281, 574, 574.1, 675, 669-676, 780-799;
229/406, 407, 902, 938

(56) **References Cited**

U.S. PATENT DOCUMENTS

D162,151 S * 2/1951 Gibbs D7/629
D238,051 S * 12/1975 Fier, Jr. D9/425
4,819,824 A * 4/1989 Longbottom et al. 220/783

D308,340 S * 6/1990 Ilsen et al. D9/425

D356,256 S * 3/1995 Romanoff D9/425

D369,282 S * 4/1996 Arduini D7/629

D372,174 S * 7/1996 Arduini D7/629

D384,502 S * 10/1997 Seager et al. D9/425

* cited by examiner

Primary Examiner—Terry A. Wallace

(74) *Attorney, Agent, or Firm*—Birch, Stewart, Kolasch & Birch, LLP

(57) **CLAIM**

The ornamental design for the container for storing foods, as shown and described.

DESCRIPTION

FIG. 1 is a Perspective view of the container for storing foods according to the present invention;

FIG. 2 is a Front view thereof;

FIG. 3 is a Rear view thereof;

FIG. 4 is a Left-side view thereof;

FIG. 5 is a Right-side view thereof;

FIG. 6 is a Top Plan view thereof; and,

FIG. 7 is a Bottom Plan view thereof.

Container for storing foods is made of silicon material and serves as keeping food tightly coupled with lid.

1 Claim, 5 Drawing Sheets

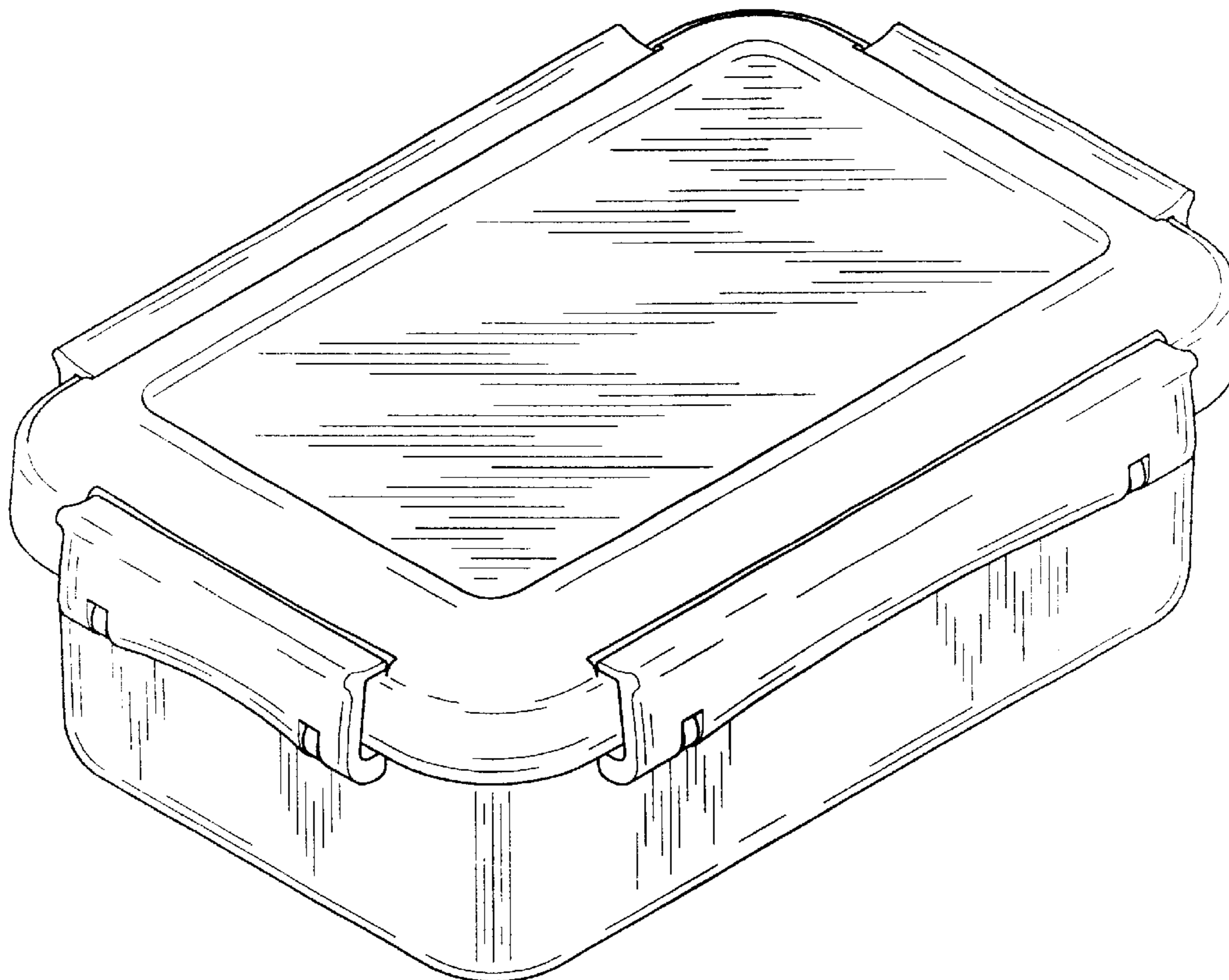


Fig. 1

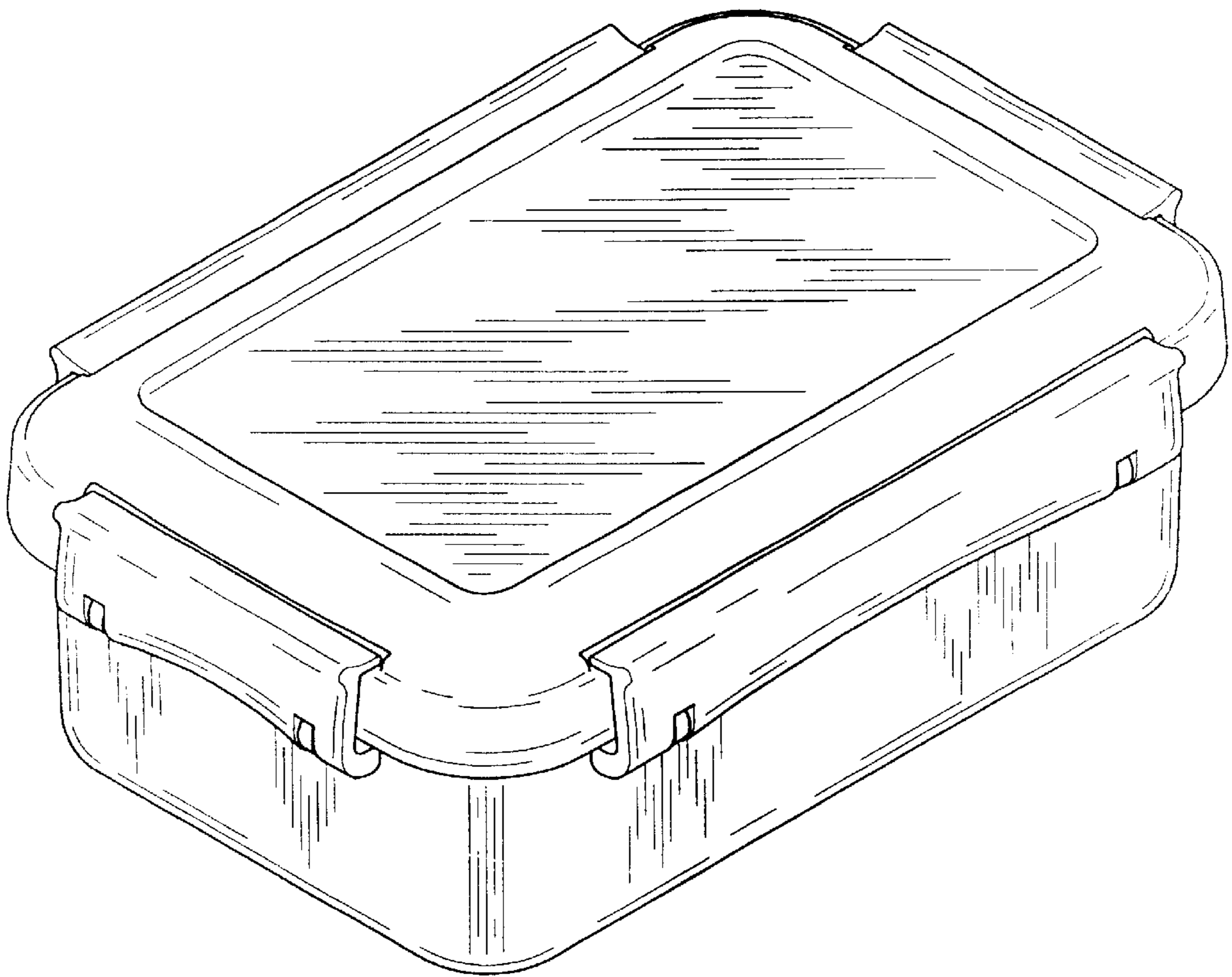


Fig.2

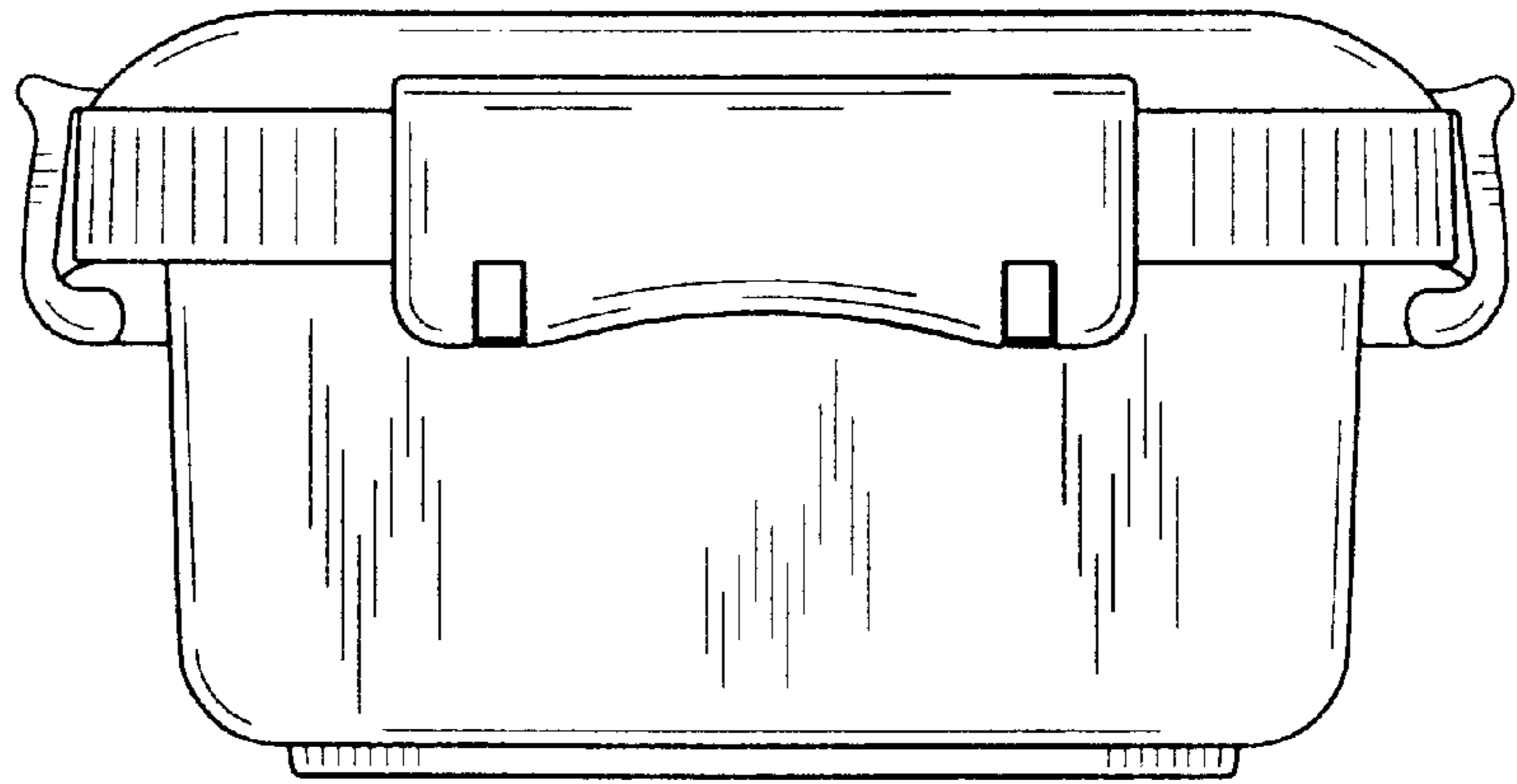


Fig.3

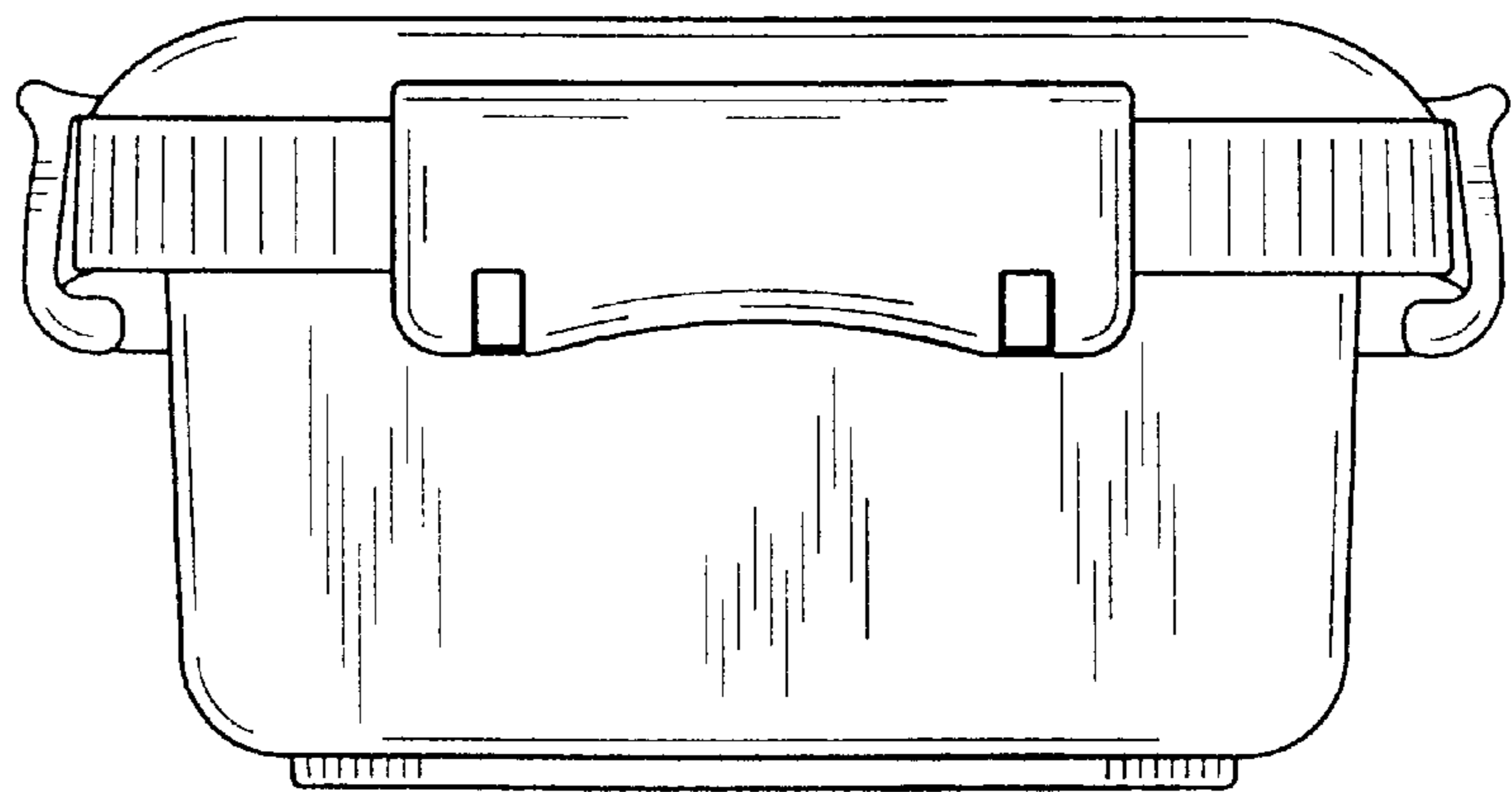


Fig.4

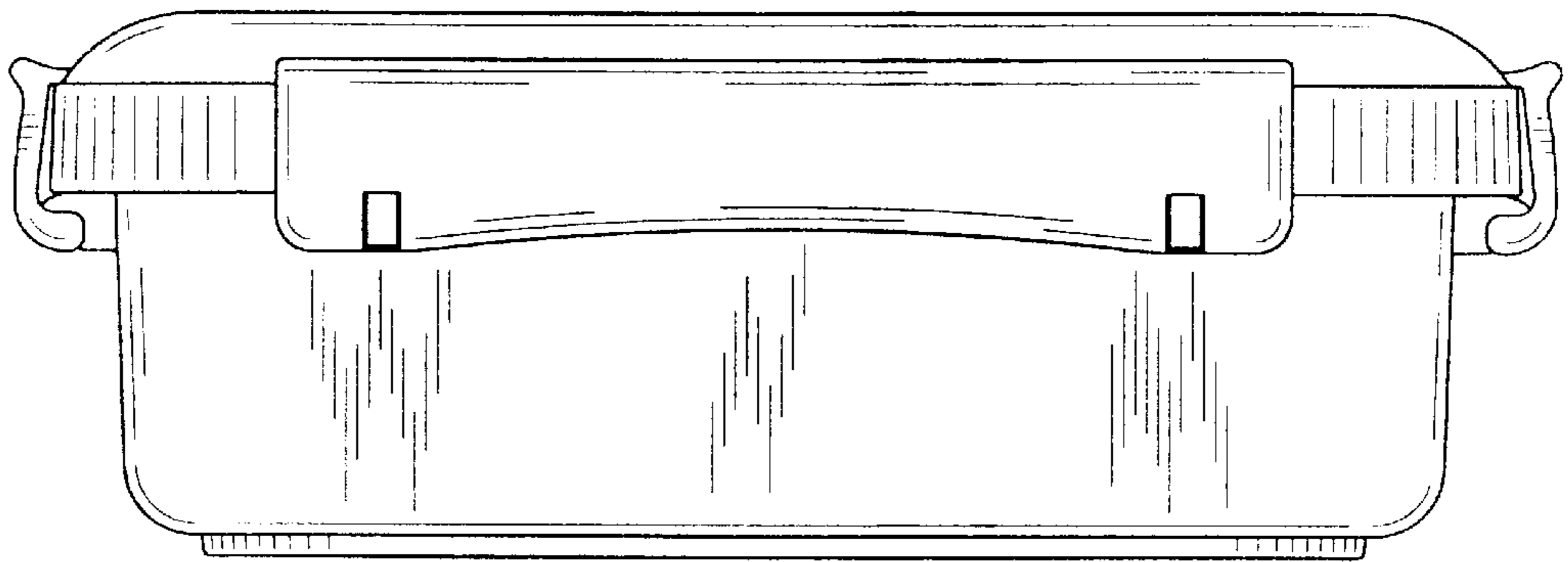


Fig.5

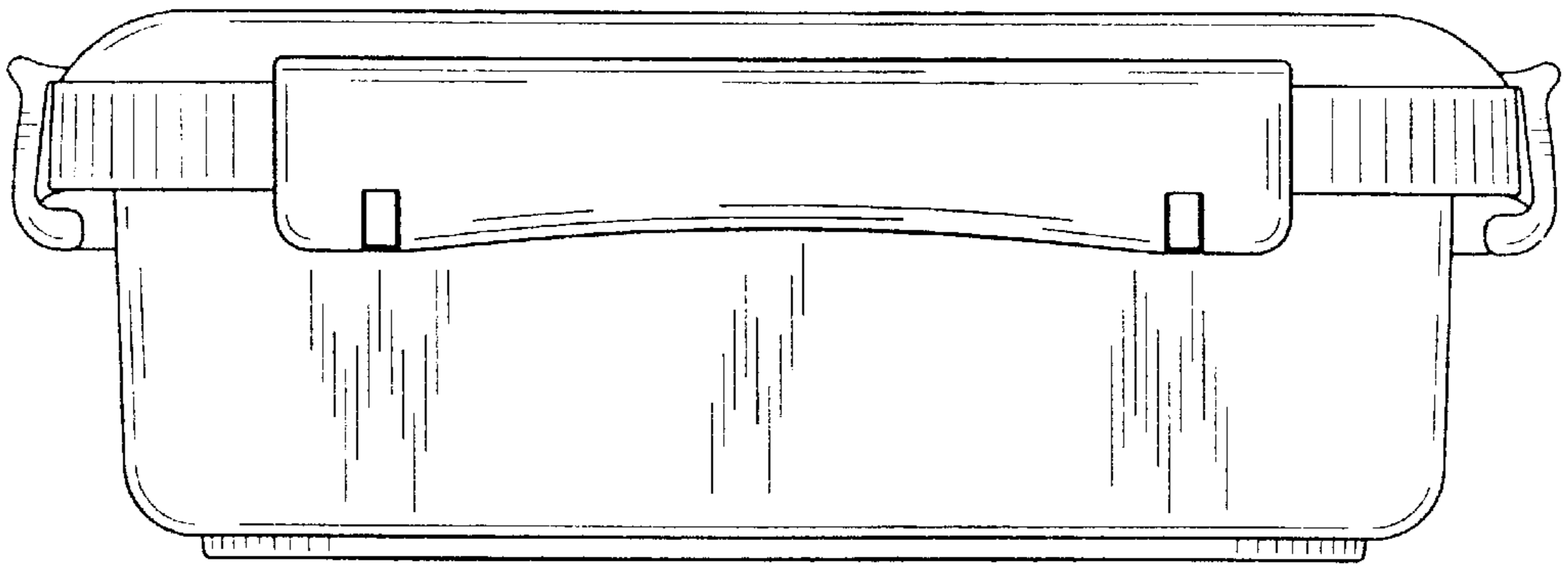


Fig. 6

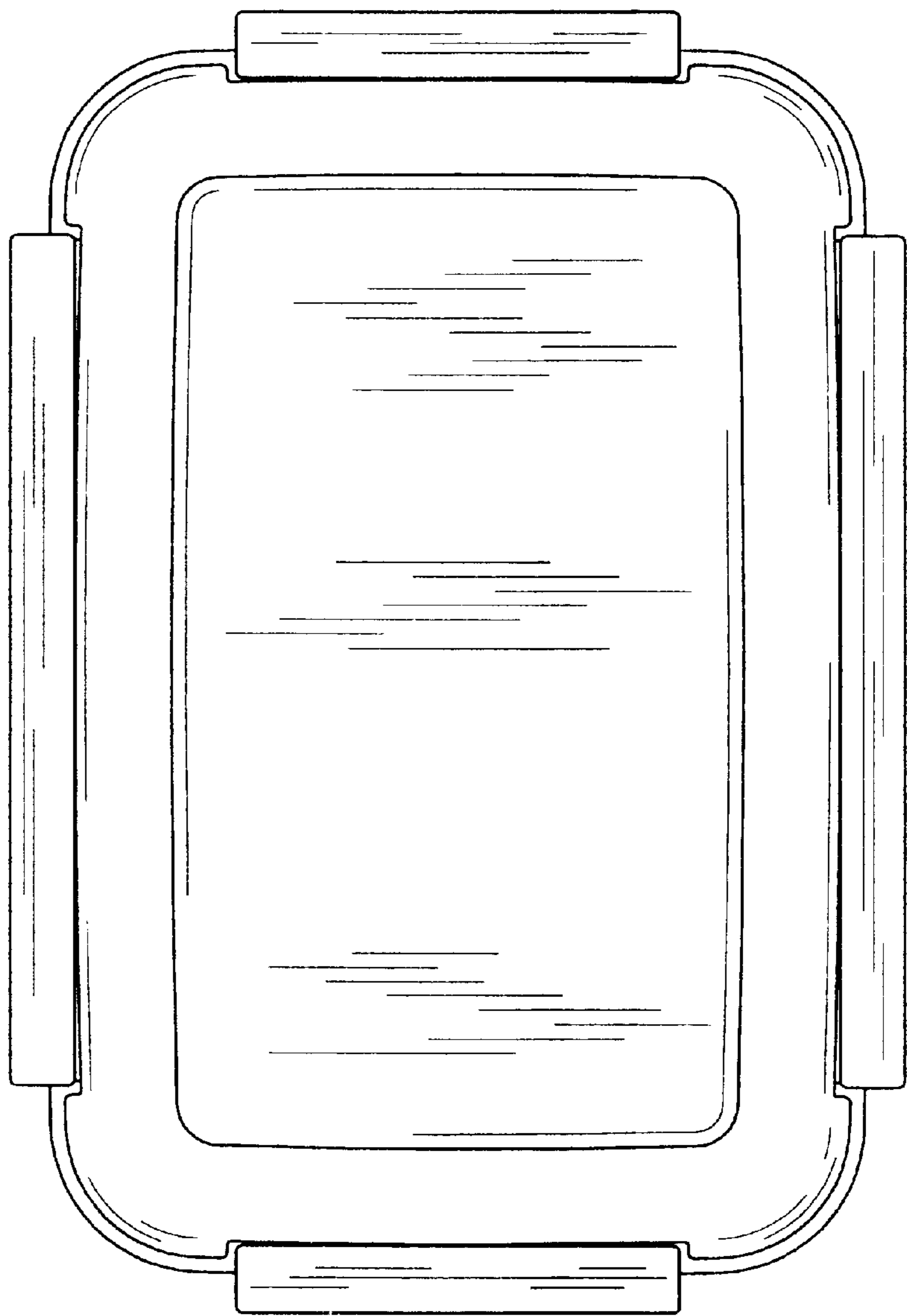


Fig.7

