



US00D483621S

(12) **United States Design Patent**
Snell

(10) **Patent No.:** **US D483,621 S**

(45) **Date of Patent:** **** Dec. 16, 2003**

(54) **COASTER**

D418,721 S * 1/2000 Goodman et al. D7/624.1
6,102,352 A * 8/2000 Kvalvog 248/346.11

(75) Inventor: **Russell Benton Snell**, Bentleyville, OH (US)

* cited by examiner

(73) Assignee: **InterDesign, Inc.**, Solon, OH (US)

Primary Examiner—Terry A. Wallace

(**) Term: **14 Years**

(74) *Attorney, Agent, or Firm*—D. Peter Hochberg; Sean Mellino; Katherine R. Vieyra

(21) Appl. No.: **29/176,525**

(57) **CLAIM**

(22) Filed: **Feb. 21, 2003**

The ornamental design for a coaster, as shown and described.

(51) **LOC (7) Cl.** **07-06**

(52) **U.S. Cl.** **D7/624.1**

(58) **Field of Search** D7/624.1, 625;
211/71.01, 74; 215/392–396; 220/737; 248/346.01,
346.11, 311.2

DESCRIPTION

(56) **References Cited**

FIG. 1 is a perspective view of the coaster according to the invention;

FIG. 2 is a top view of the coaster as shown in FIG. 1;

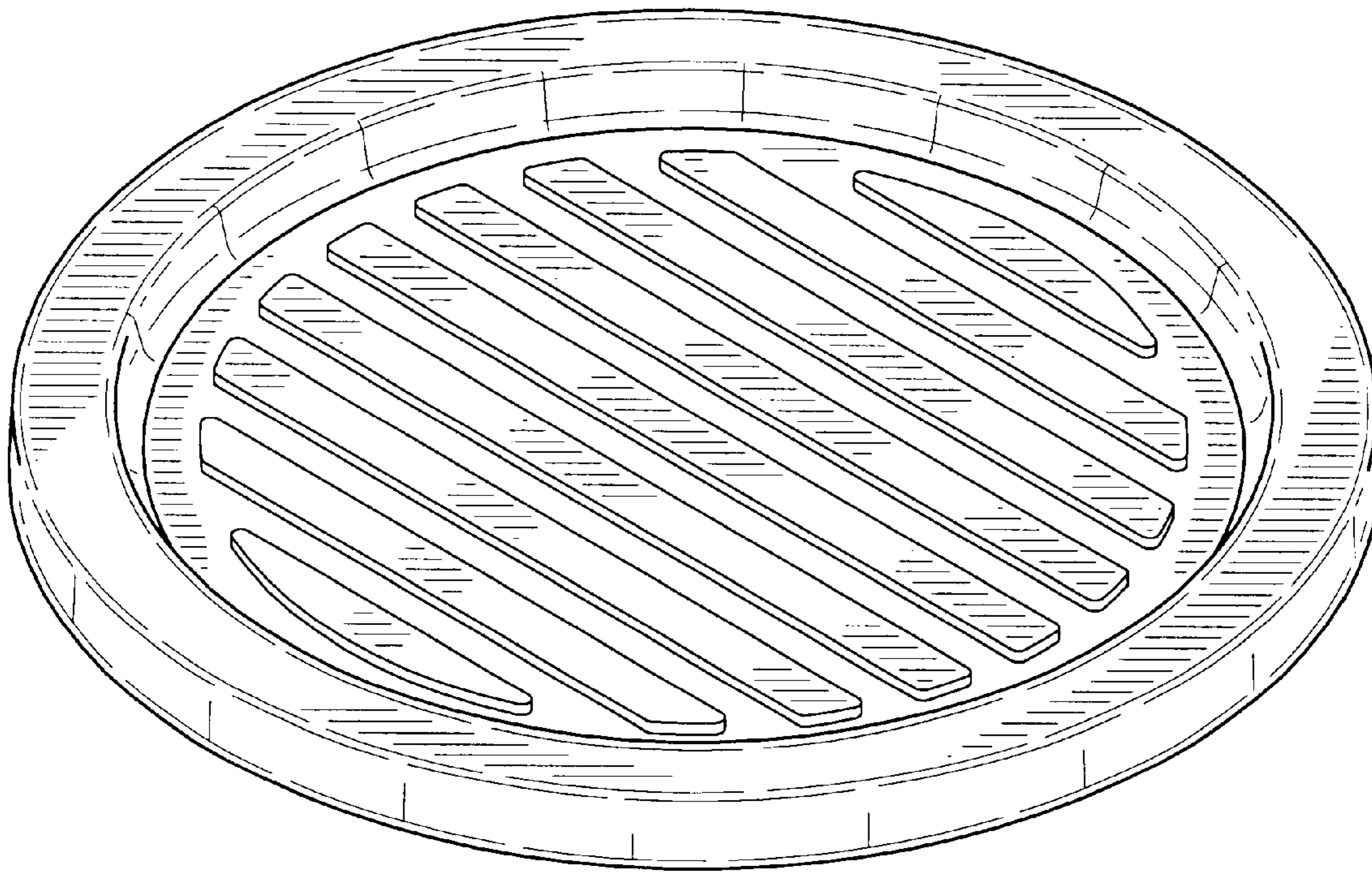
FIG. 3 is a side view of the coaster as shown in FIG. 1; and,

FIG. 4 is a bottom view of the coaster as shown in FIG. 1.

U.S. PATENT DOCUMENTS

2,100,192 A * 11/1937 Leindorf D7/624.1

1 Claim, 2 Drawing Sheets



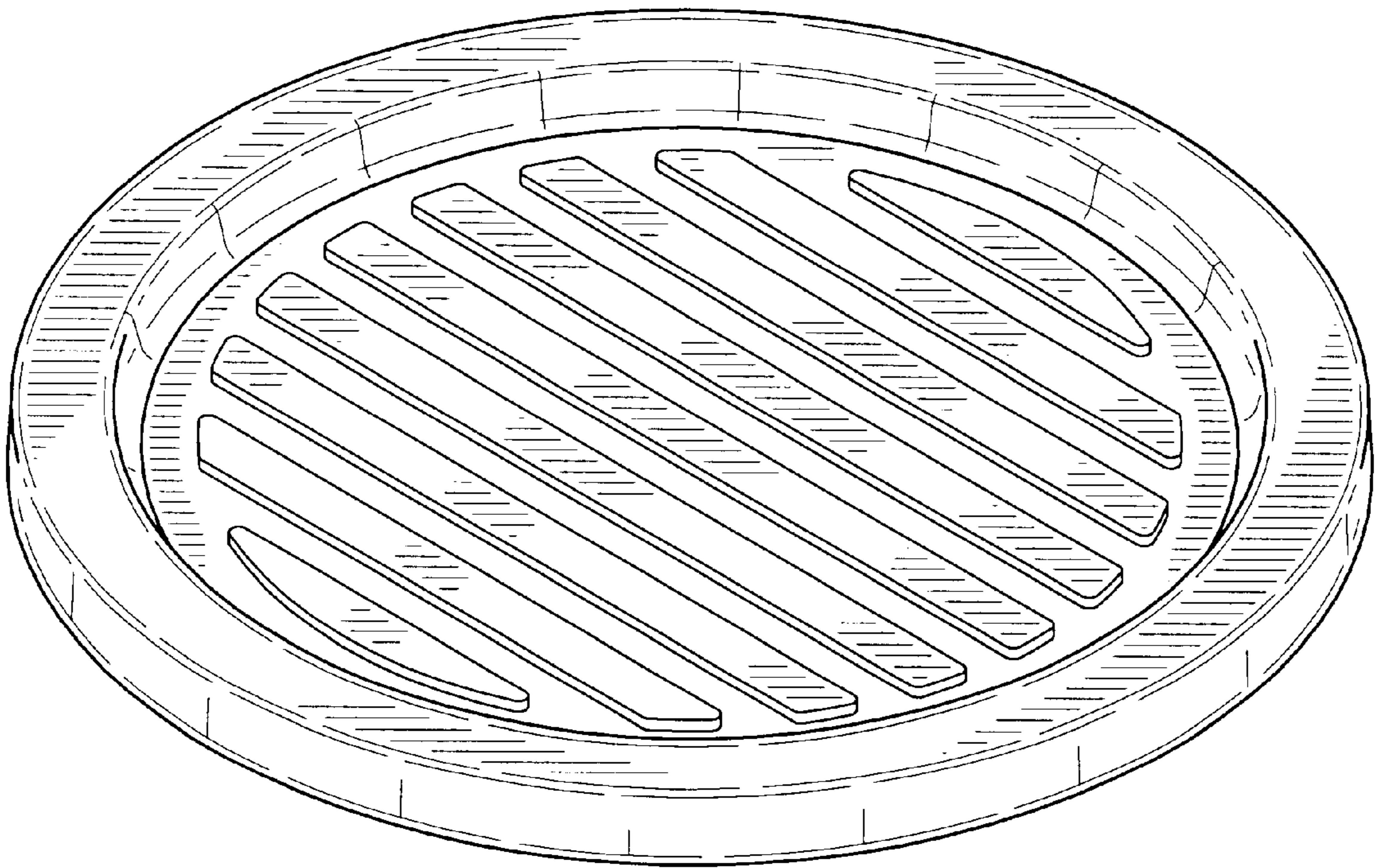


FIG-1

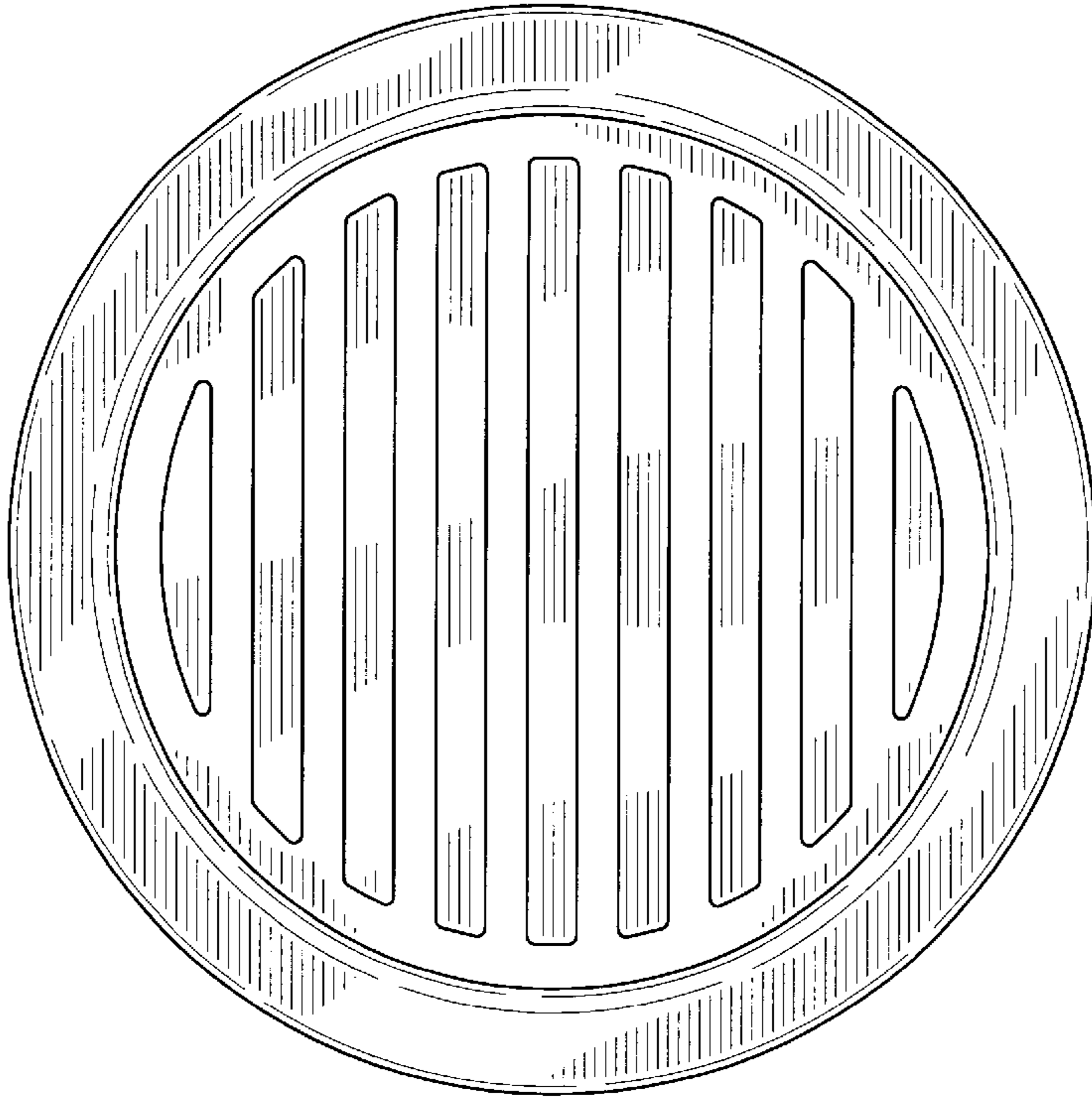


FIG-2

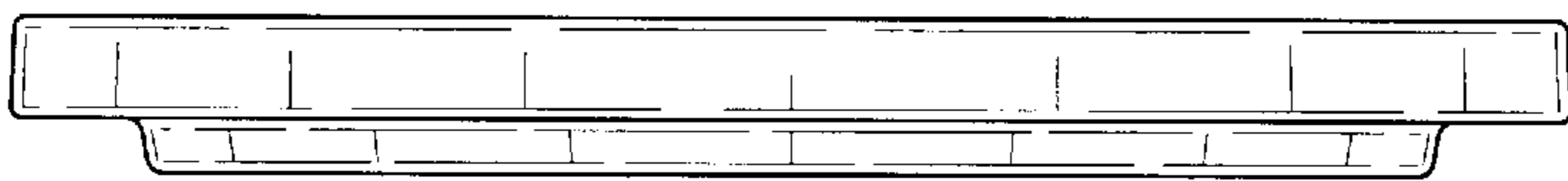


FIG-3

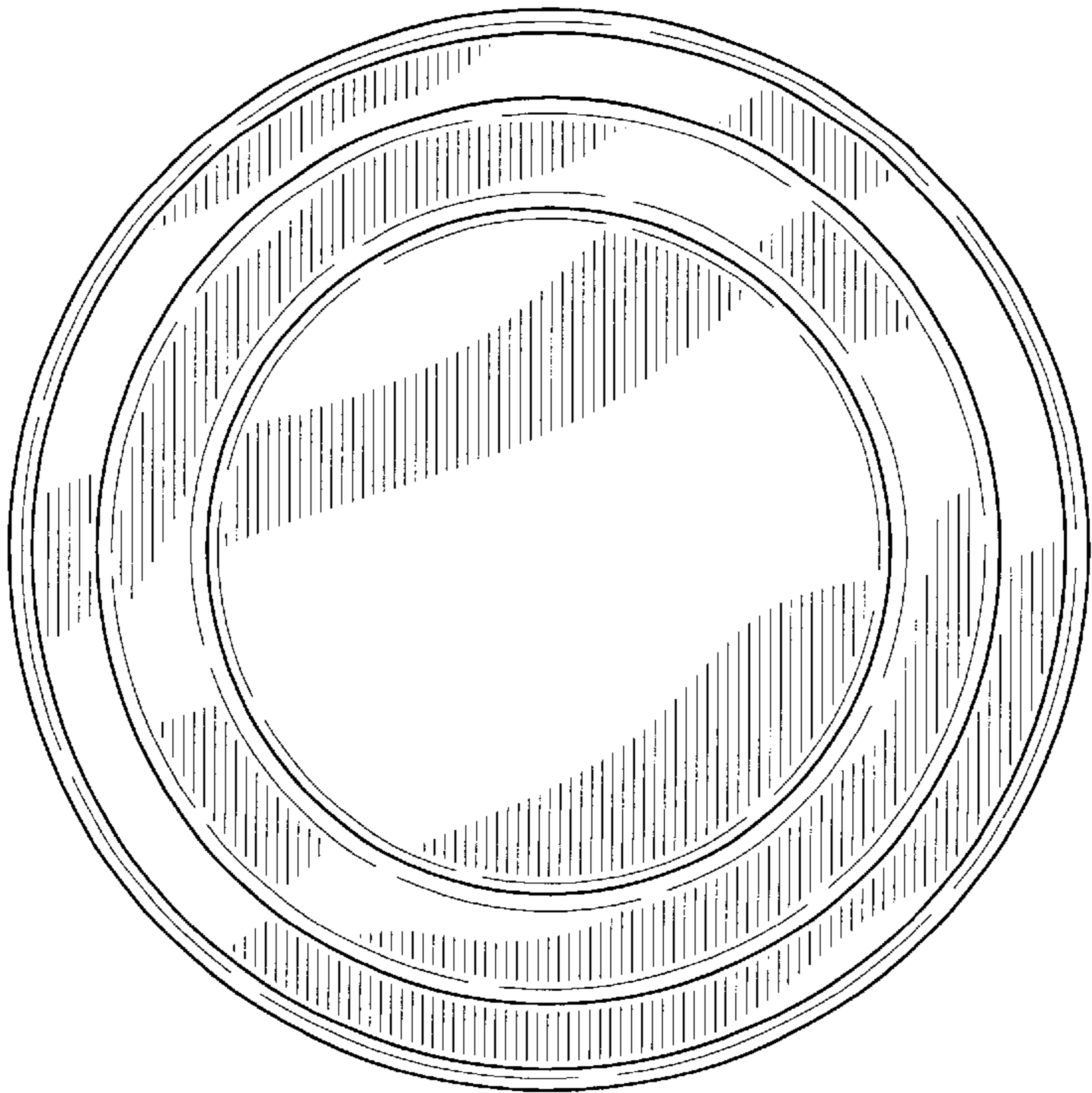


FIG-4