



US00D483620S

(12) **United States Design Patent** (10) **Patent No.:** **US D483,620 S**
Basara (45) **Date of Patent:** **** Dec. 16, 2003**

(54) **ICE BUCKET**

(74) *Attorney, Agent, or Firm*—Nixon & Vanderhye P.C.

(75) **Inventor:** **Michael Basara, Milan (IT)**

(57) **CLAIM**

(73) **Assignee:** **Immanuel Industrial Co. Ltd., Tainan (TW)**

The ornamental design for an “ice bucket,” as shown and described.

(**) **Term:** **14 Years**

DESCRIPTION

(21) **Appl. No.:** **29/175,774**

FIG. 1 is an elevated perspective view of the ice bucket showing my new design;

(22) **Filed:** **Feb. 11, 2003**

FIG. 2 is a front plan view thereof;

(51) **LOC (7) Cl.** **07-01**

FIG. 3 is a side plan view thereof;

(52) **U.S. Cl.** **D7/603**

FIG. 4 is a top plan view in the closed position thereof;

(58) **Field of Search** D7/601–604, 608, D7/612–615, 629; 62/371, 372, 457.1, 457.4, 457.5, 457.8; 215/12.2, 13.1; 220/737, 739, 915.1, 915.2

FIG. 5 is a top plan view thereof;

FIG. 6 is an elevated perspective view of the liner;

FIG. 7 is a side plan view of the liner;

FIG. 8 is a top plan view of the liner;

FIG. 9 is a bottom plan view of the liner;

FIG. 10 is an elevated perspective view of the lid;

FIG. 11 is a plan view of the top of the lid;

FIG. 12 is a plan view of the bottom of the lid;

FIG. 13 is a plan side view of the lid; and,

FIG. 14 is a top perspective view of the bucket, liner and lid.

The bucket, liner and lid are shown separately for clarity of illustration.

(56) **References Cited**

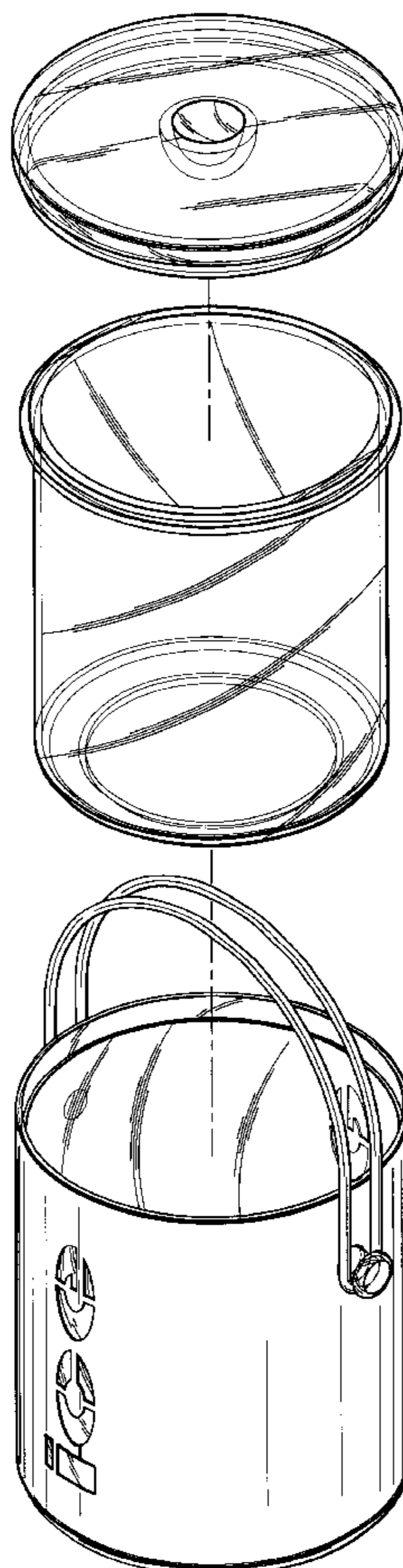
U.S. PATENT DOCUMENTS

D215,866 S * 11/1969 Jacobsen D7/603
3,977,552 A * 8/1976 Lombardo 215/12.2

* cited by examiner

Primary Examiner—Terry A. Wallace

1 Claim, 10 Drawing Sheets



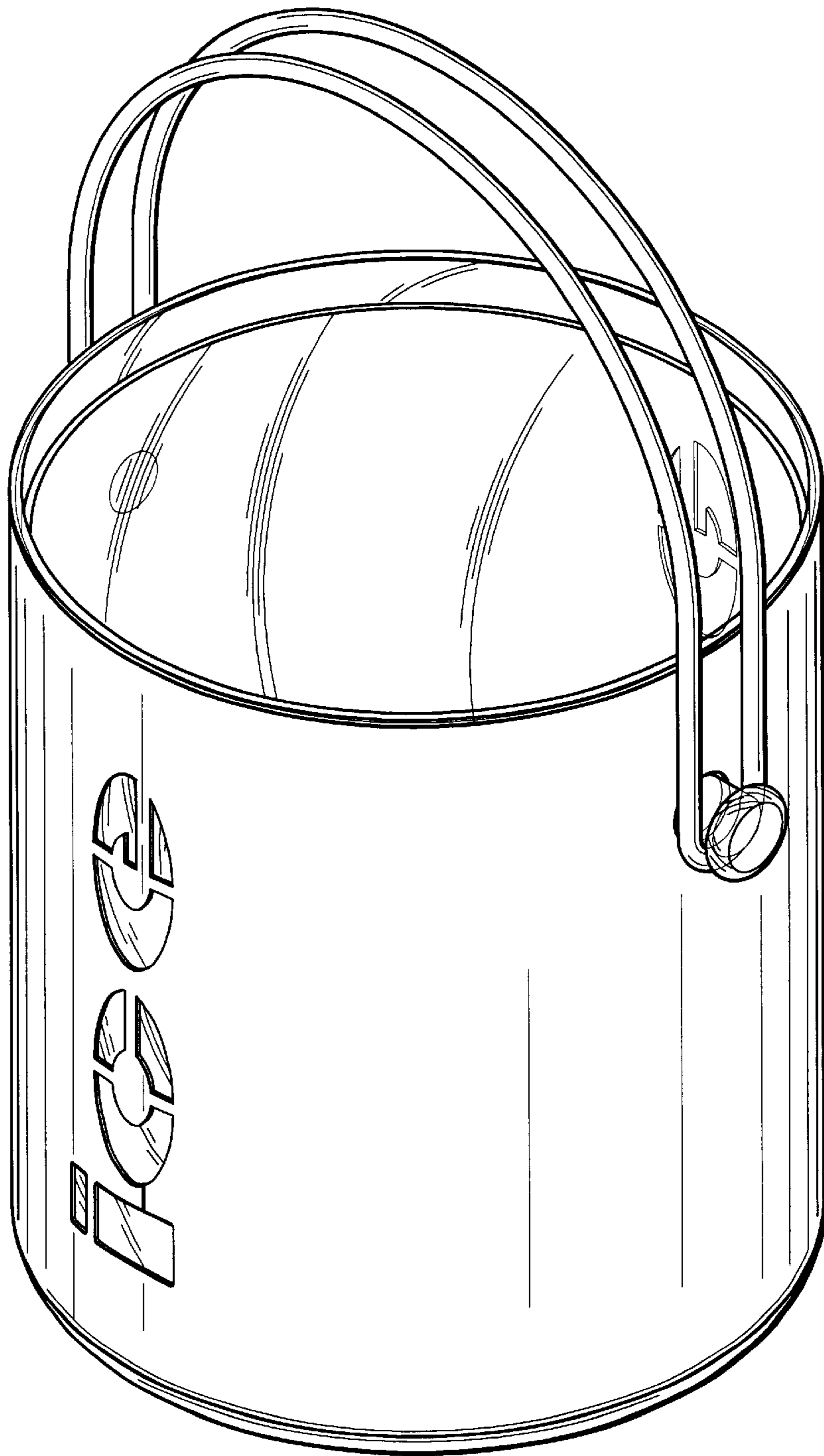


Fig.1

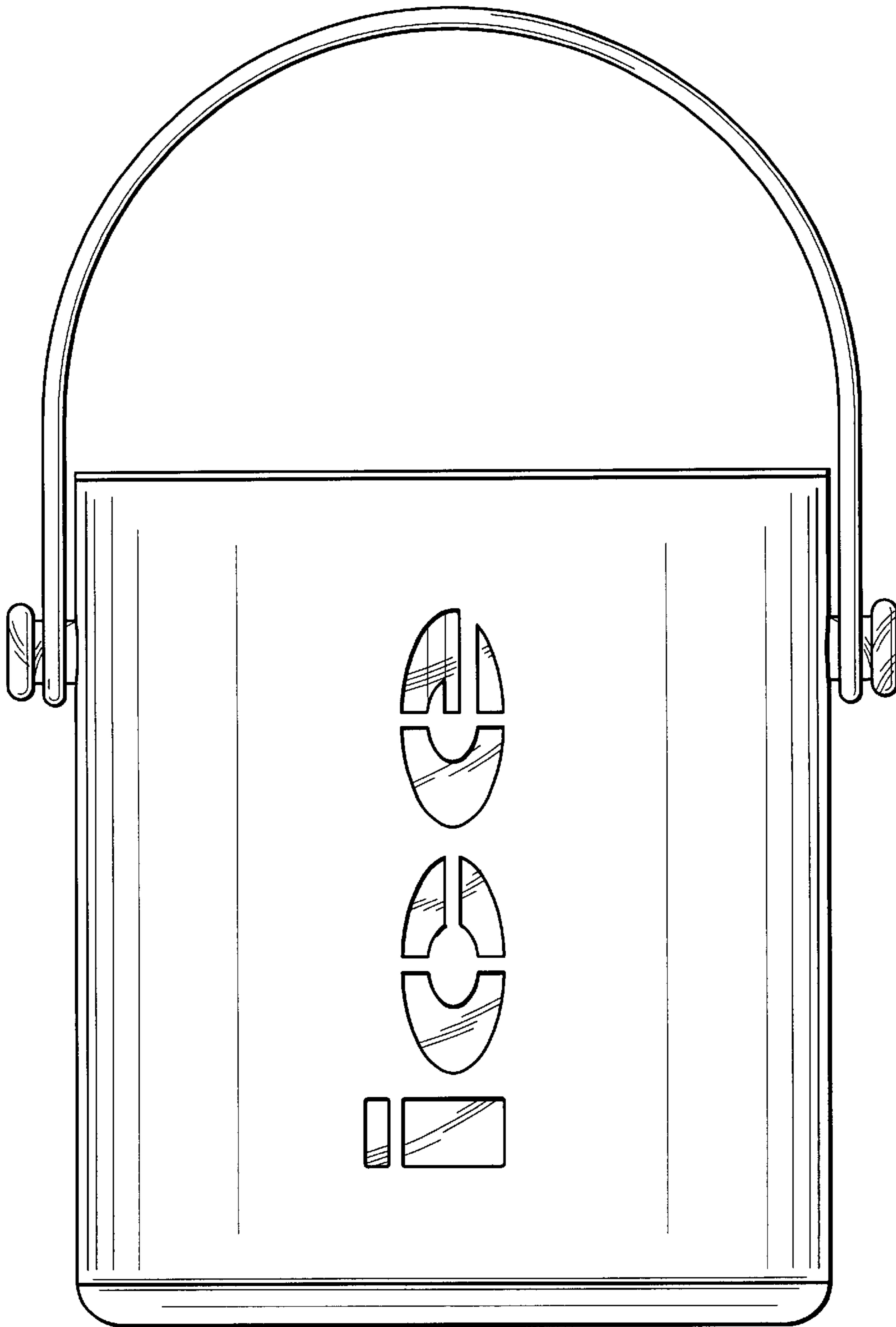


Fig.2

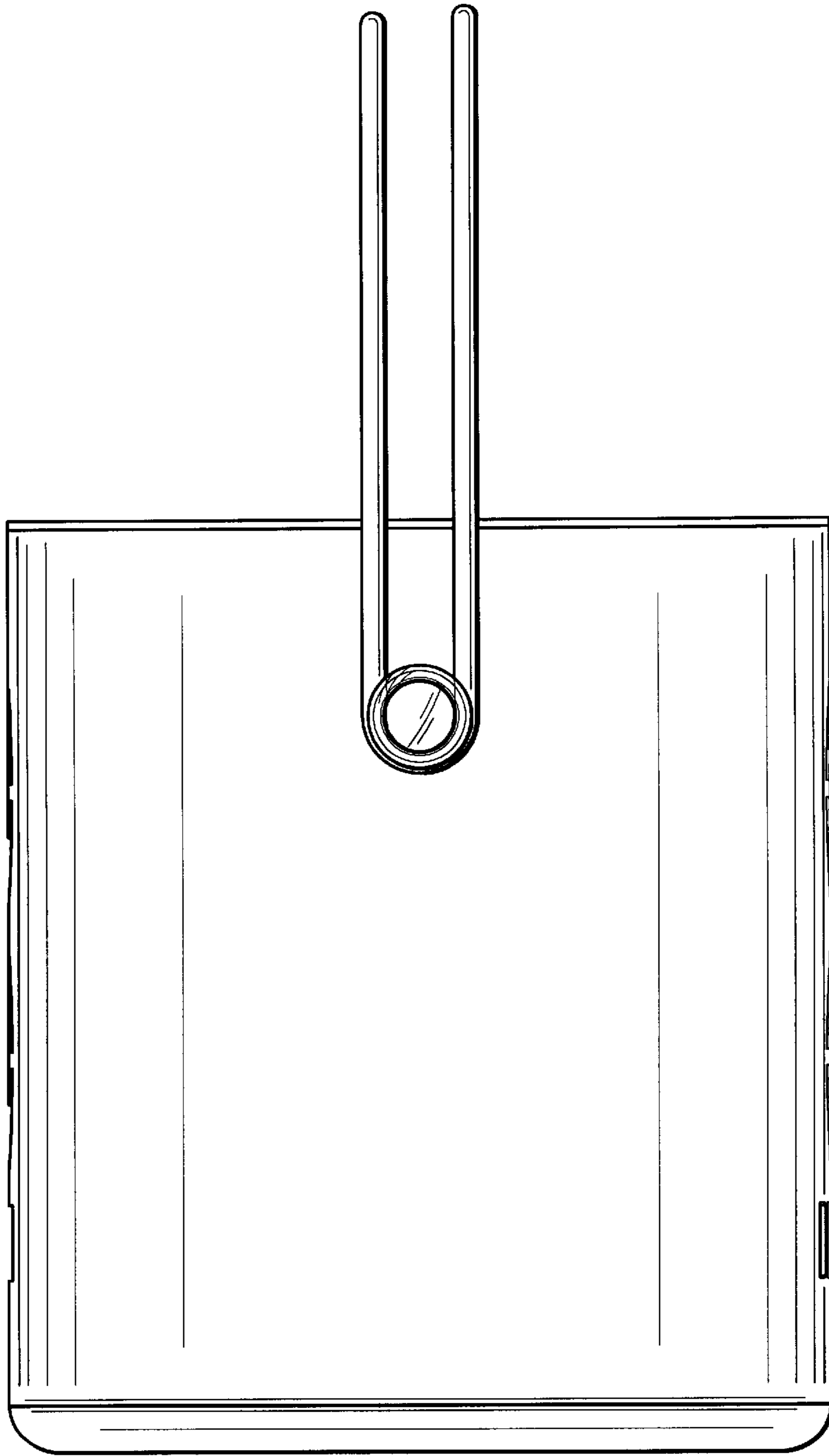


Fig.3

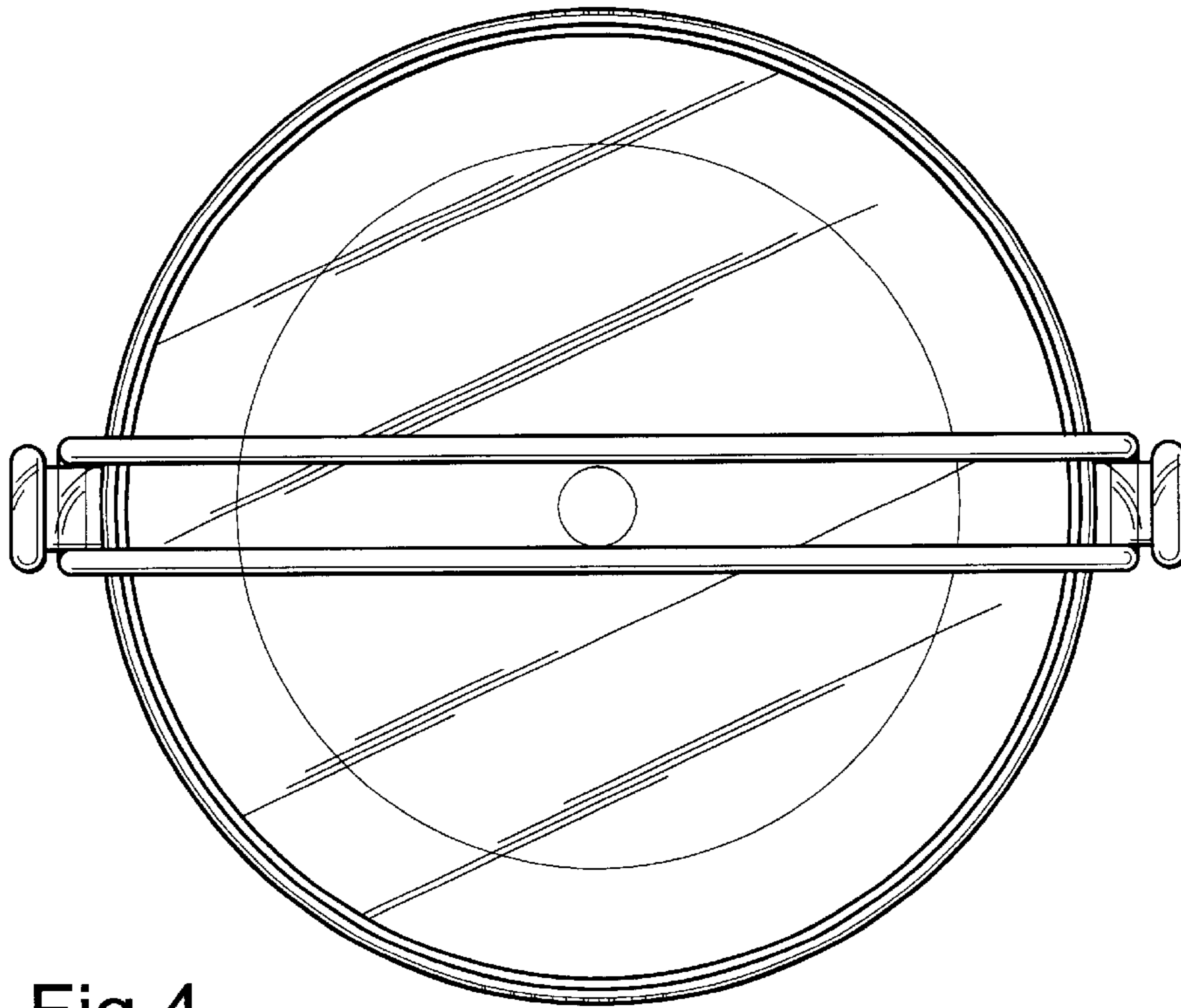


Fig.4

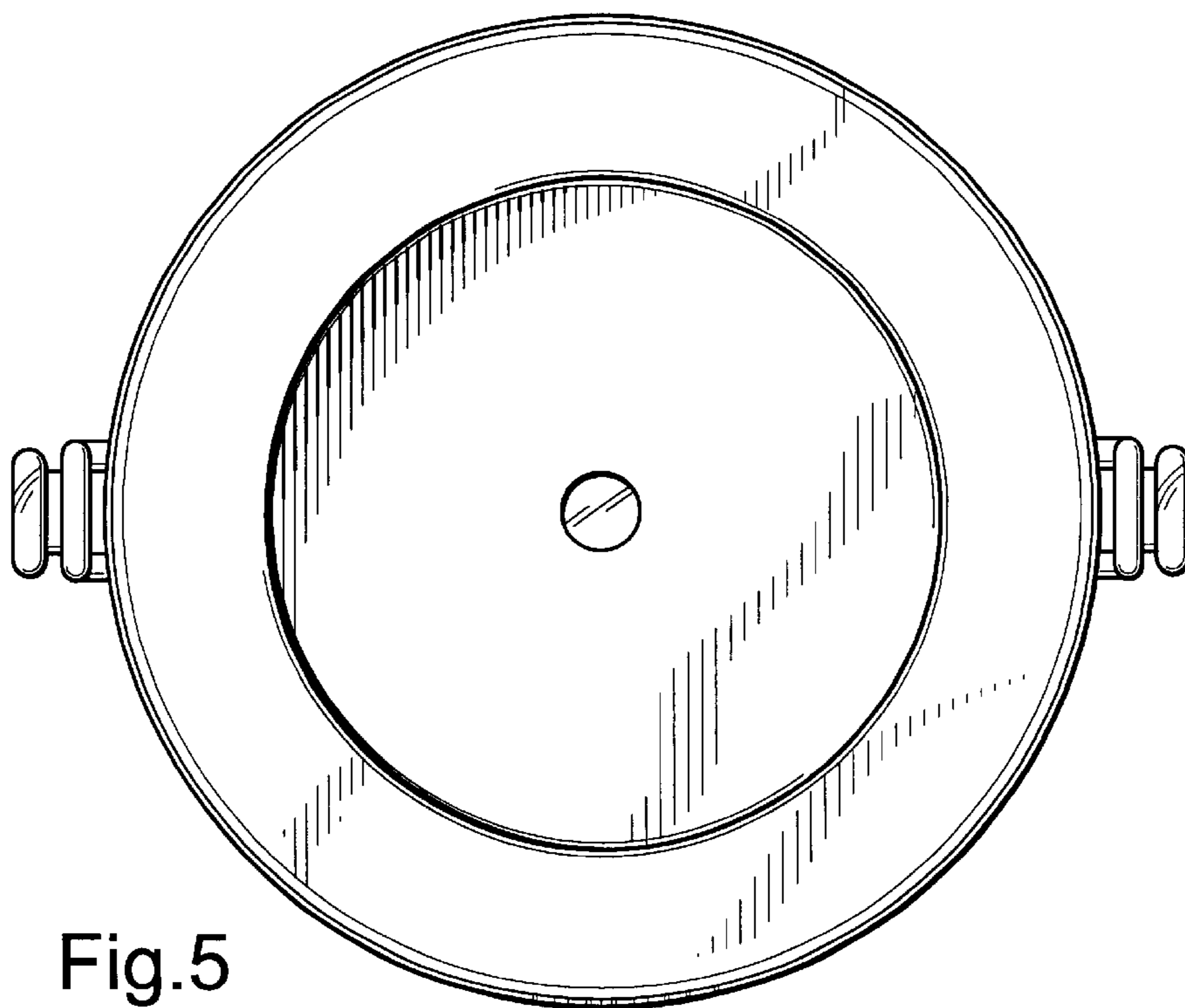


Fig.5

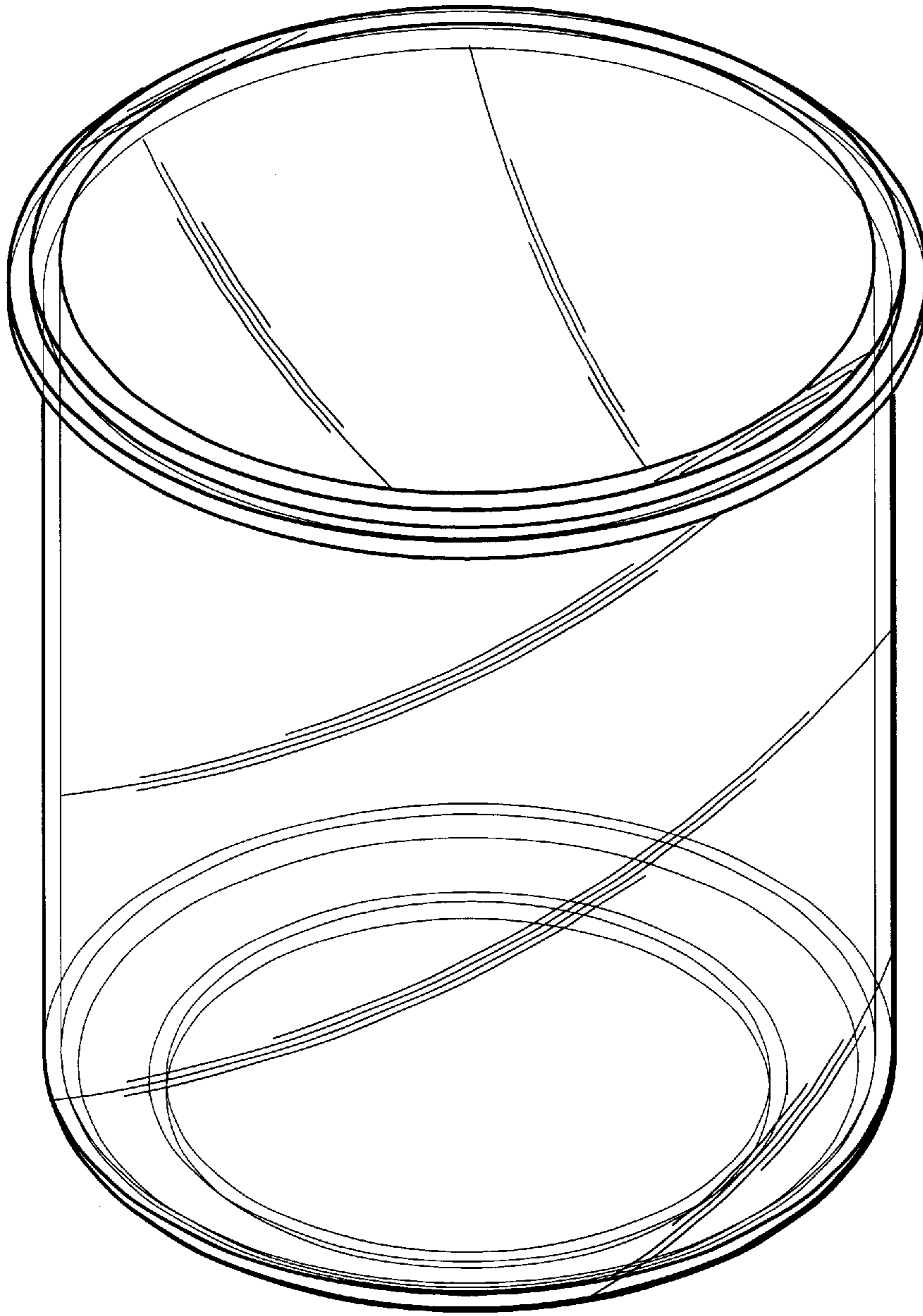


Fig.6

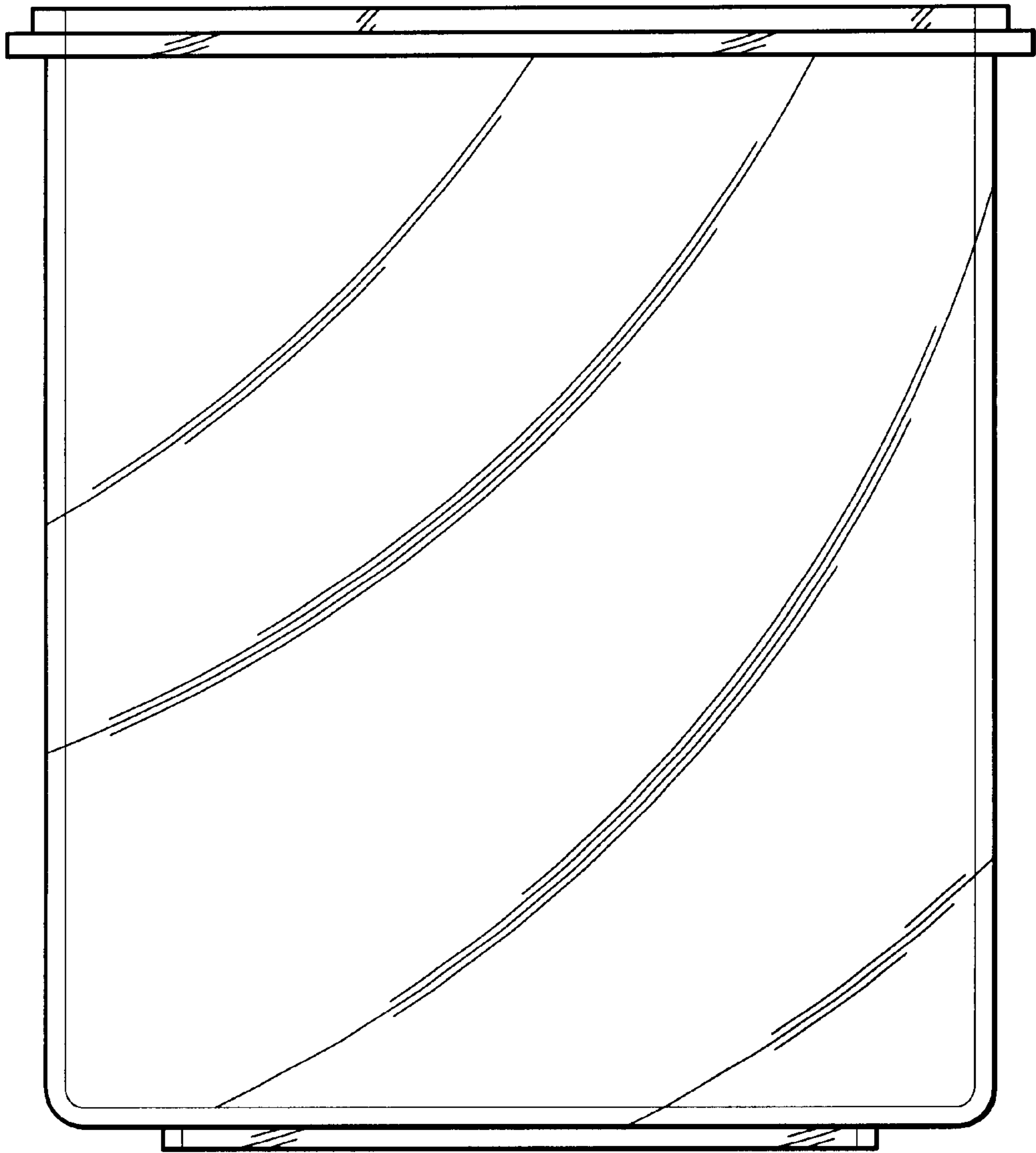


Fig.7

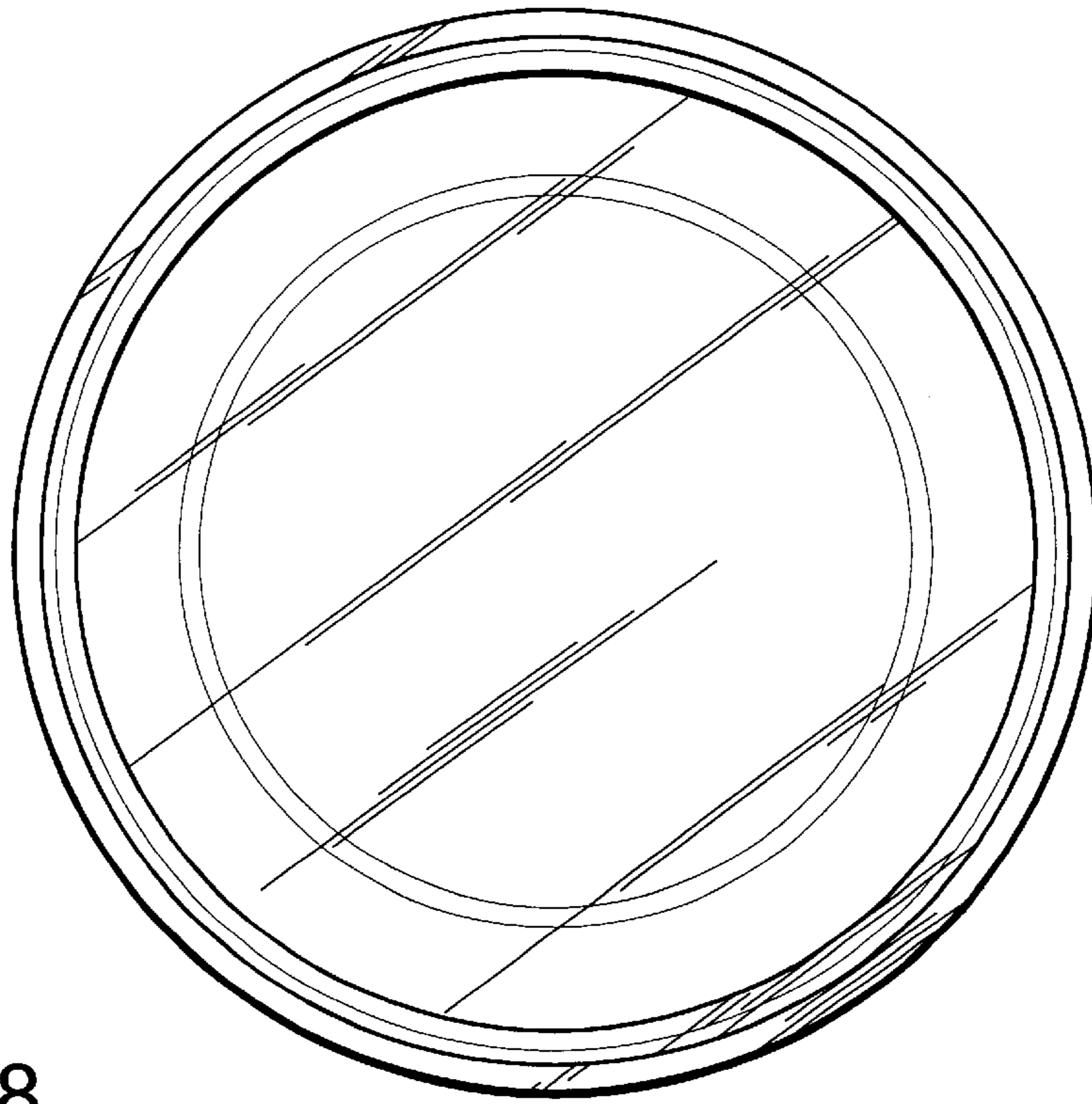


Fig.8

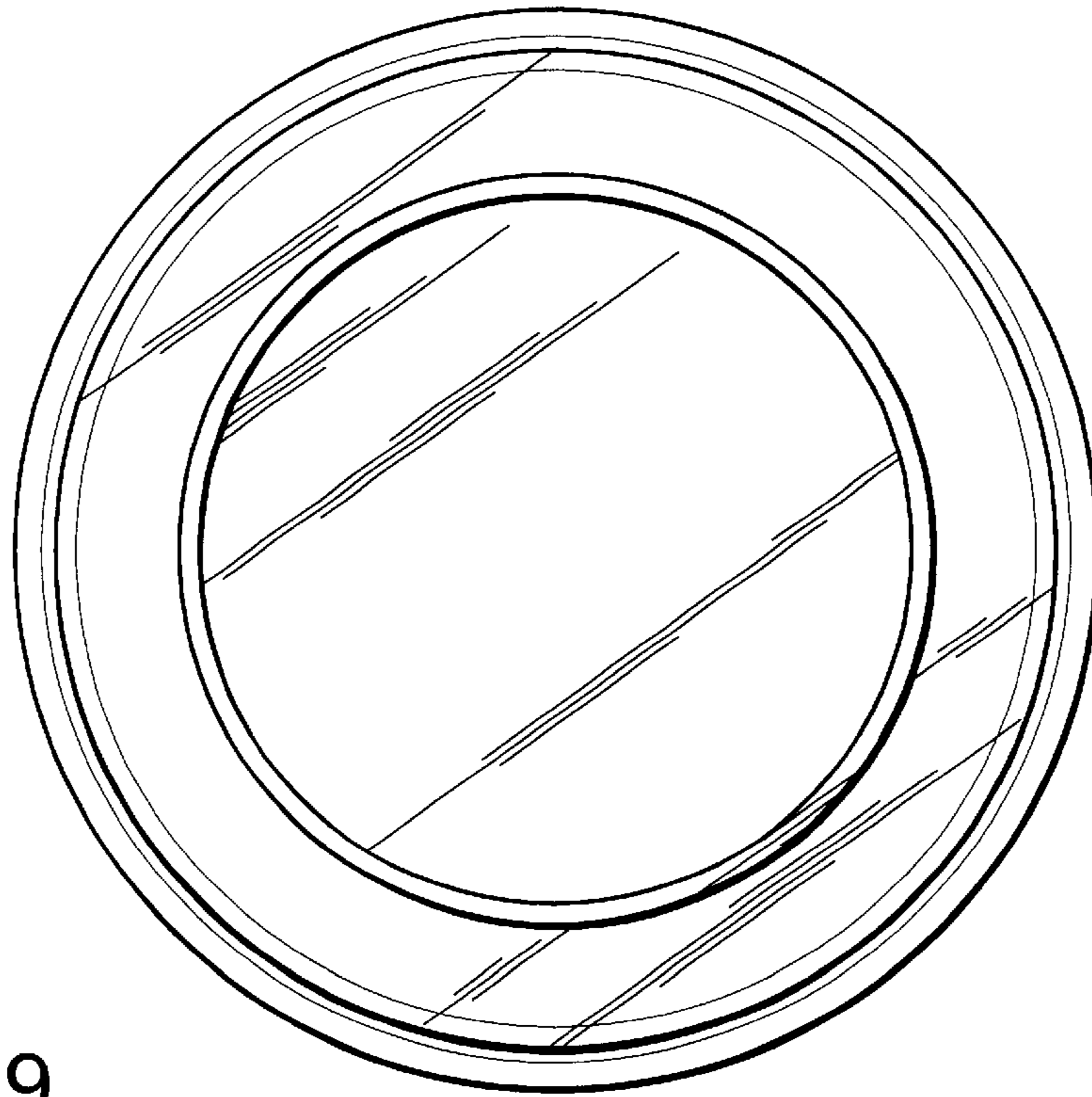


Fig.9

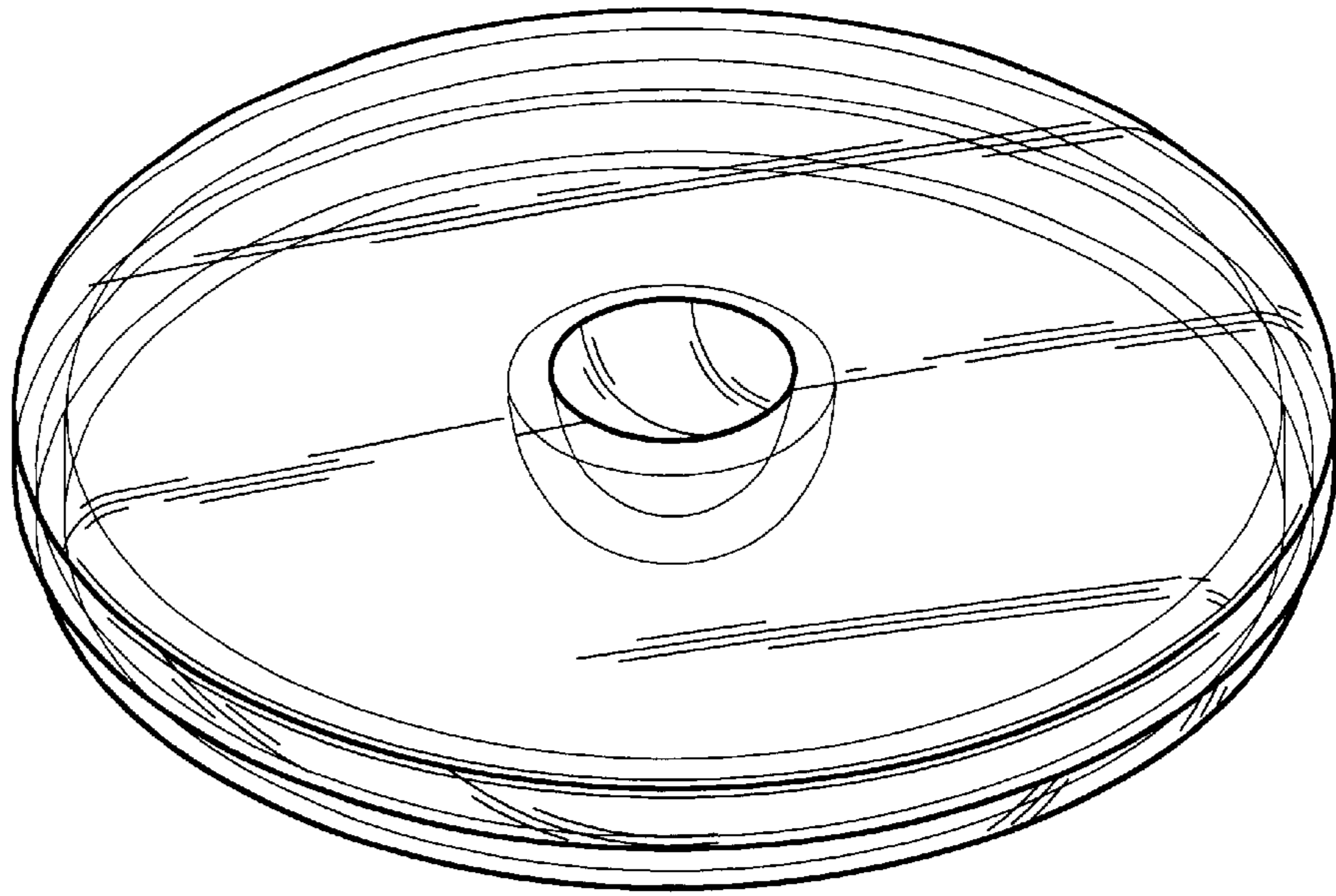


Fig. 10

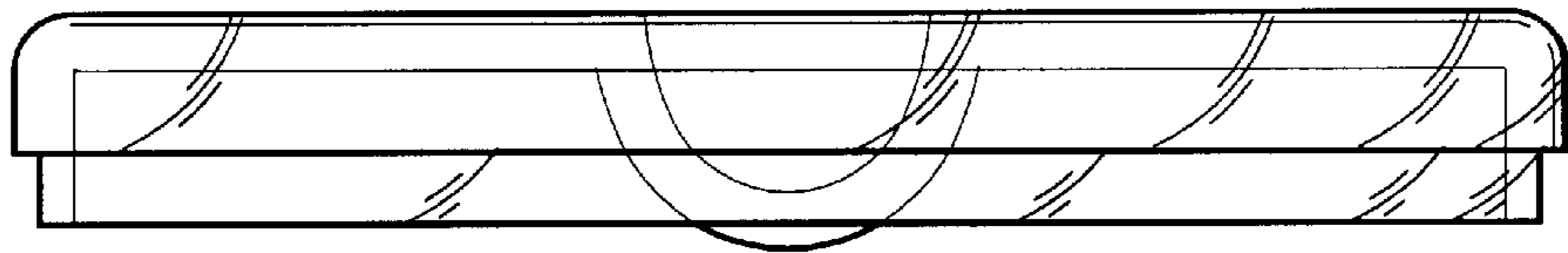


Fig. 13

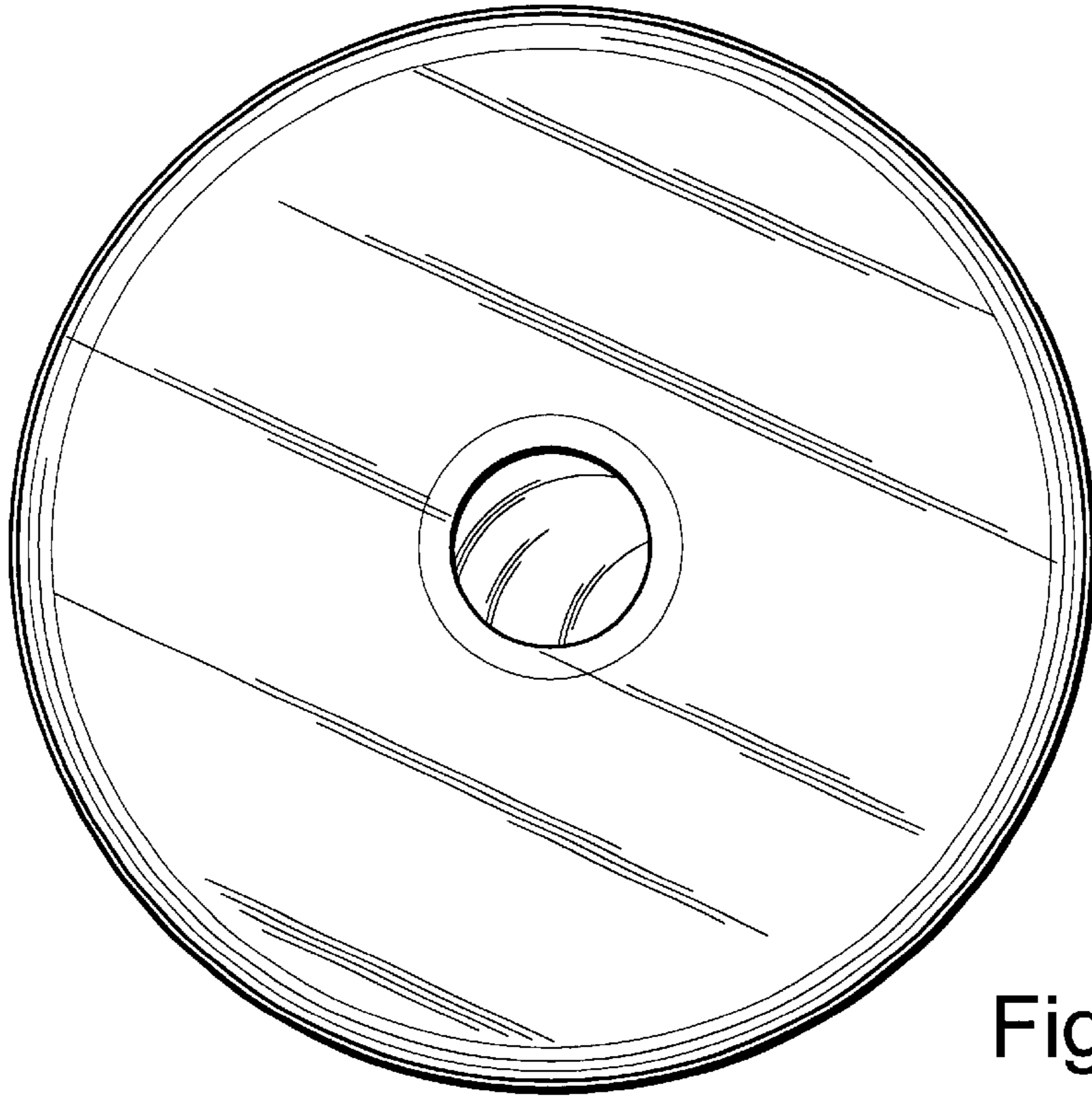


Fig.11

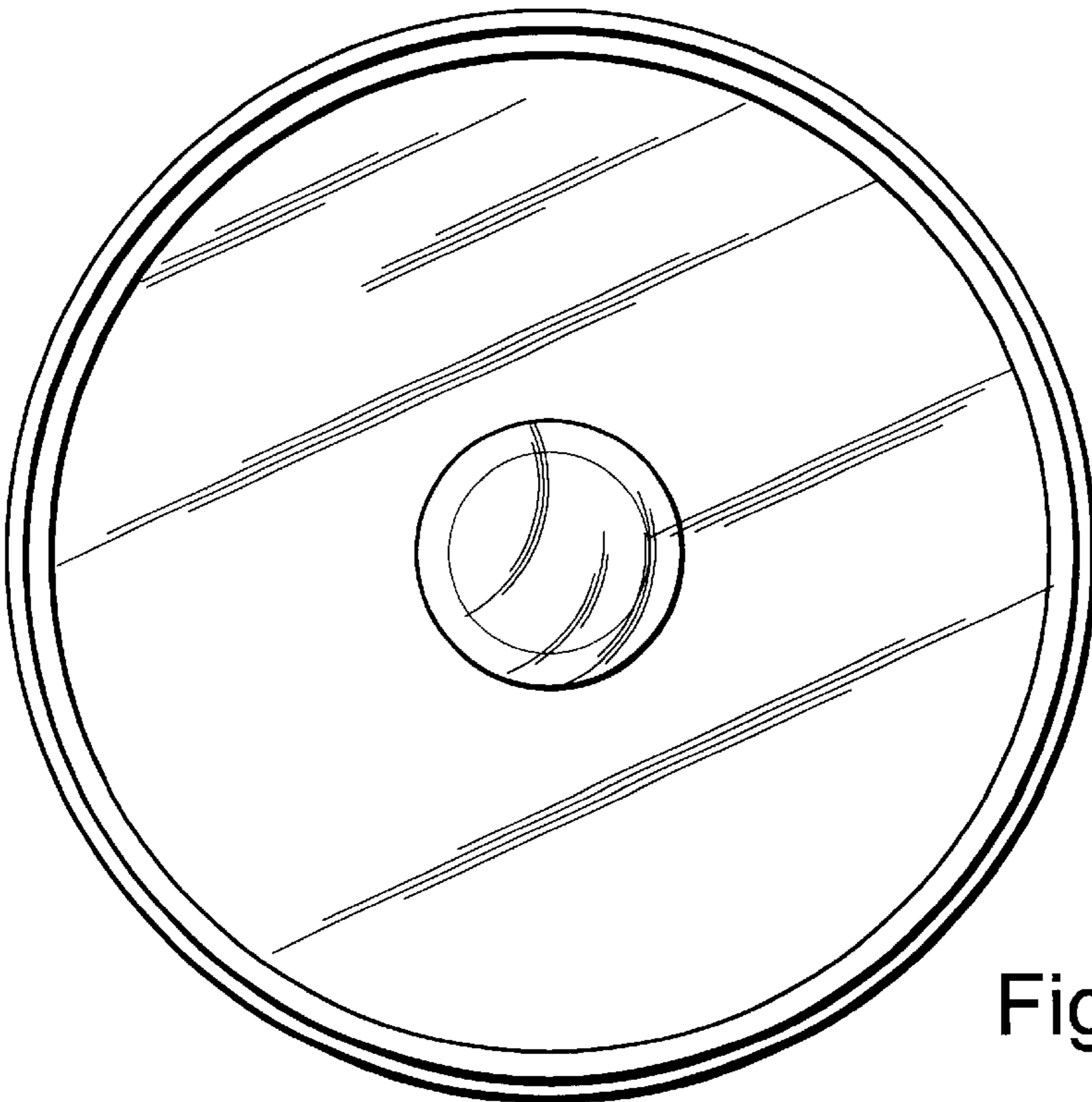


Fig.12

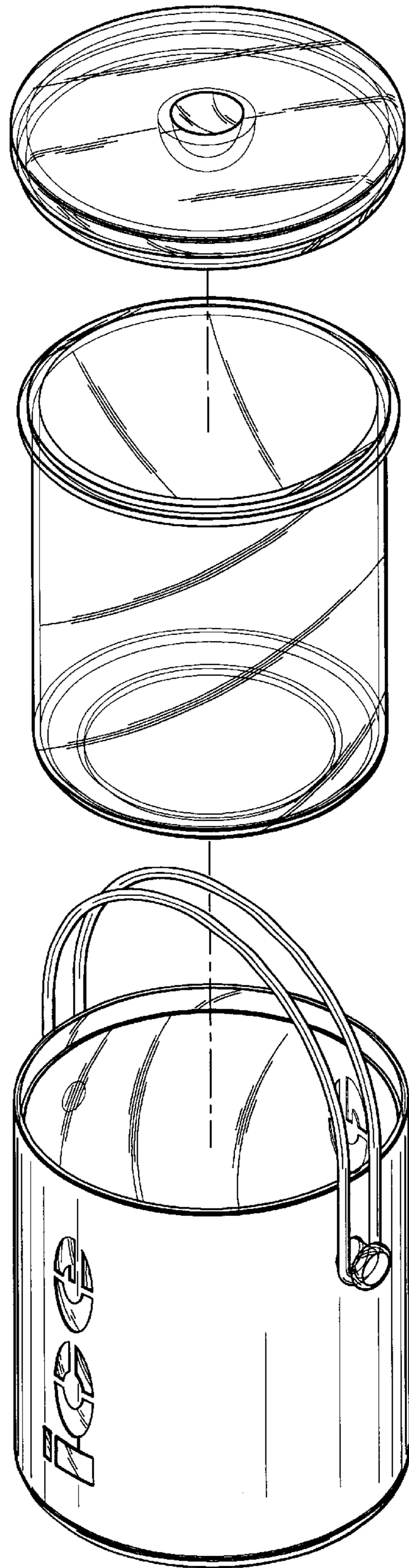


Fig.14