



US00D483607S

(12) **United States Design Patent**
Chang Chien

(10) **Patent No.:** **US D483,607 S**

(45) **Date of Patent:** **** Dec. 16, 2003**

(54) **FOOD PROCESSOR**

(75) **Inventor:** **Sung Shan Chang Chien**, Kaohsiung Hsien (TW)

(73) **Assignee:** **Ken Ying Enterprise Co., Ltd.**, Kaohsiung Hsien (TW)

(**) **Term:** **14 Years**

(21) **Appl. No.:** **29/176,227**

(22) **Filed:** **Feb. 21, 2003**

(51) **LOC (7) Cl.** **31-00**

(52) **U.S. Cl.** **D7/384; D7/378**

(58) **Field of Search** D7/376-386, 412, D7/413; 99/509-511; 241/30, 33, 37.5, 101.01-101.2, 301, 285.2; 366/64, 197, 199, 205, 219, 241, 244, 314

(56) **References Cited**

U.S. PATENT DOCUMENTS

D208,082 S * 7/1967 Falkenberg D7/313

D301,824 S * 6/1989 Machuron D7/384

D445,635 S * 7/2001 Gort-Barten D7/378

D473,421 S * 4/2003 Daniels, Jr. D7/378

D474,065 S * 5/2003 Daniels, Jr. D7/378

* cited by examiner

Primary Examiner—Caron D. Veynar

(74) *Attorney, Agent, or Firm*—Leong C. Lei

(57) **CLAIM**

The ornamental design for a food processor, as shown and described.

DESCRIPTION

FIG. 1 is perspective view of a food processor showing my new design;

FIG. 2 is a front side elevation view thereof;

FIG. 3 is a rear side elevation view thereof;

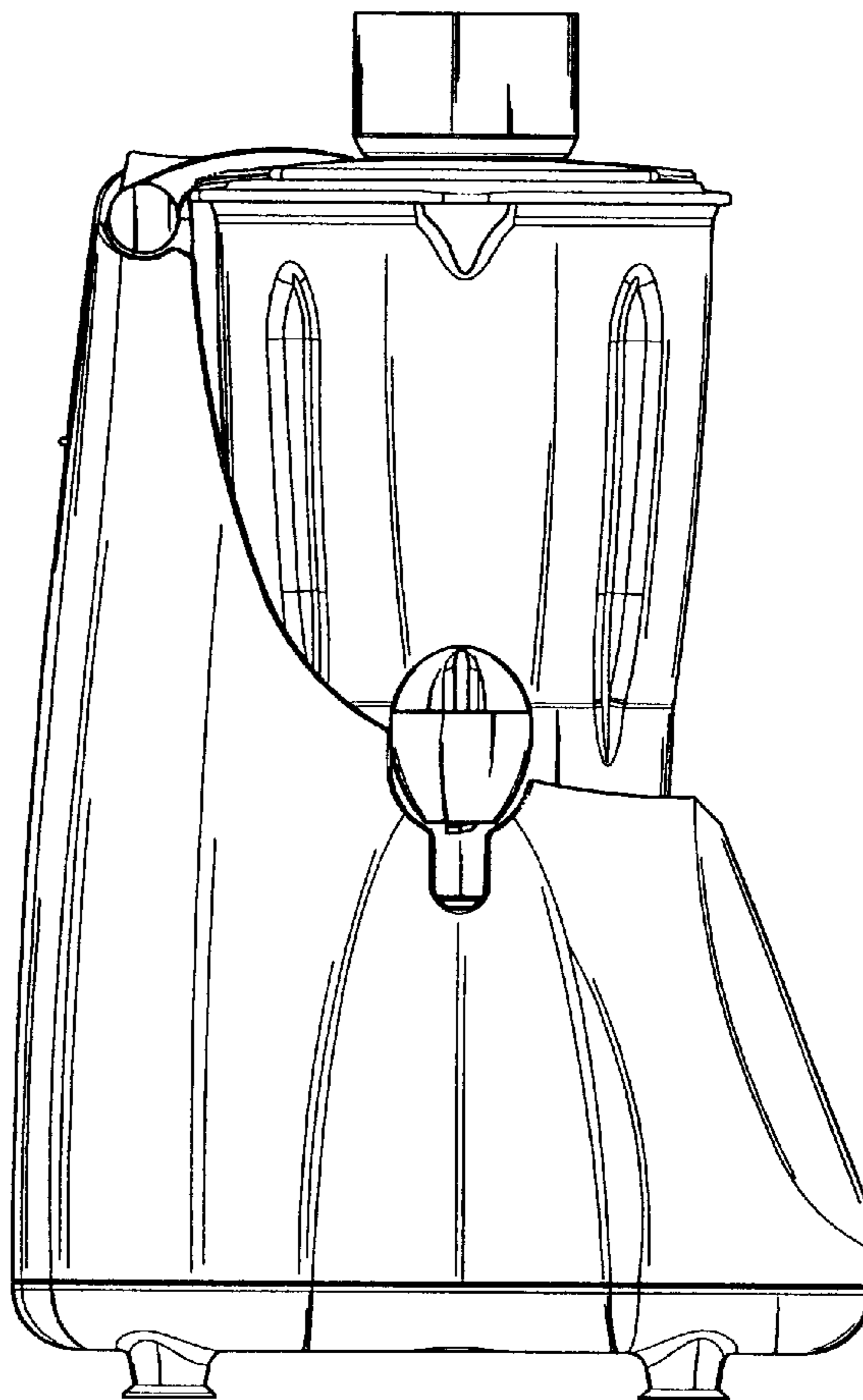
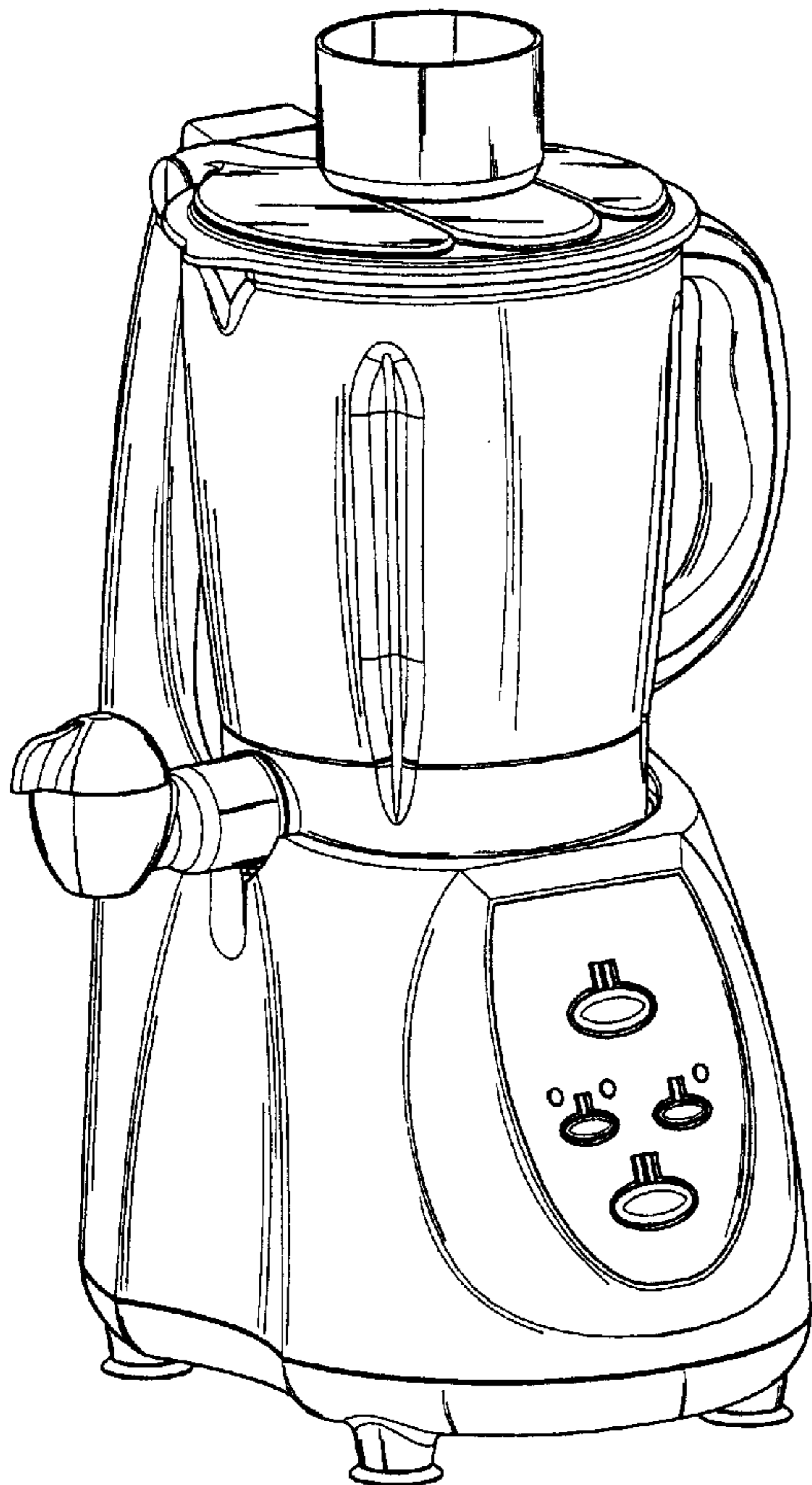
FIG. 4 is a left side elevation view thereof;

FIG. 5 is a right side elevation view thereof;

FIG. 6 is a top plan view thereof; and,

FIG. 7 is a bottom plan view thereof.

1 Claim, 4 Drawing Sheets



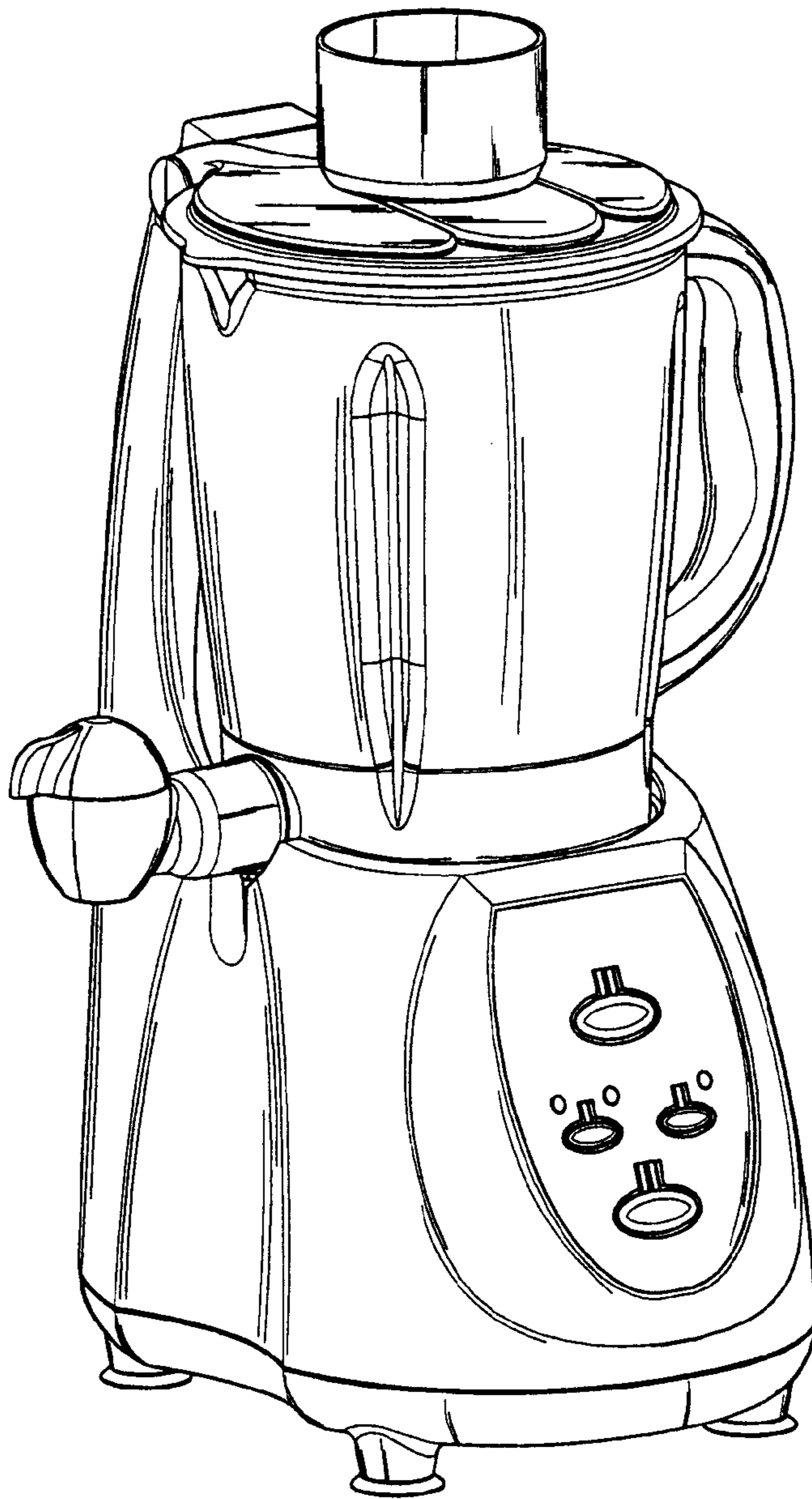


FIG.1

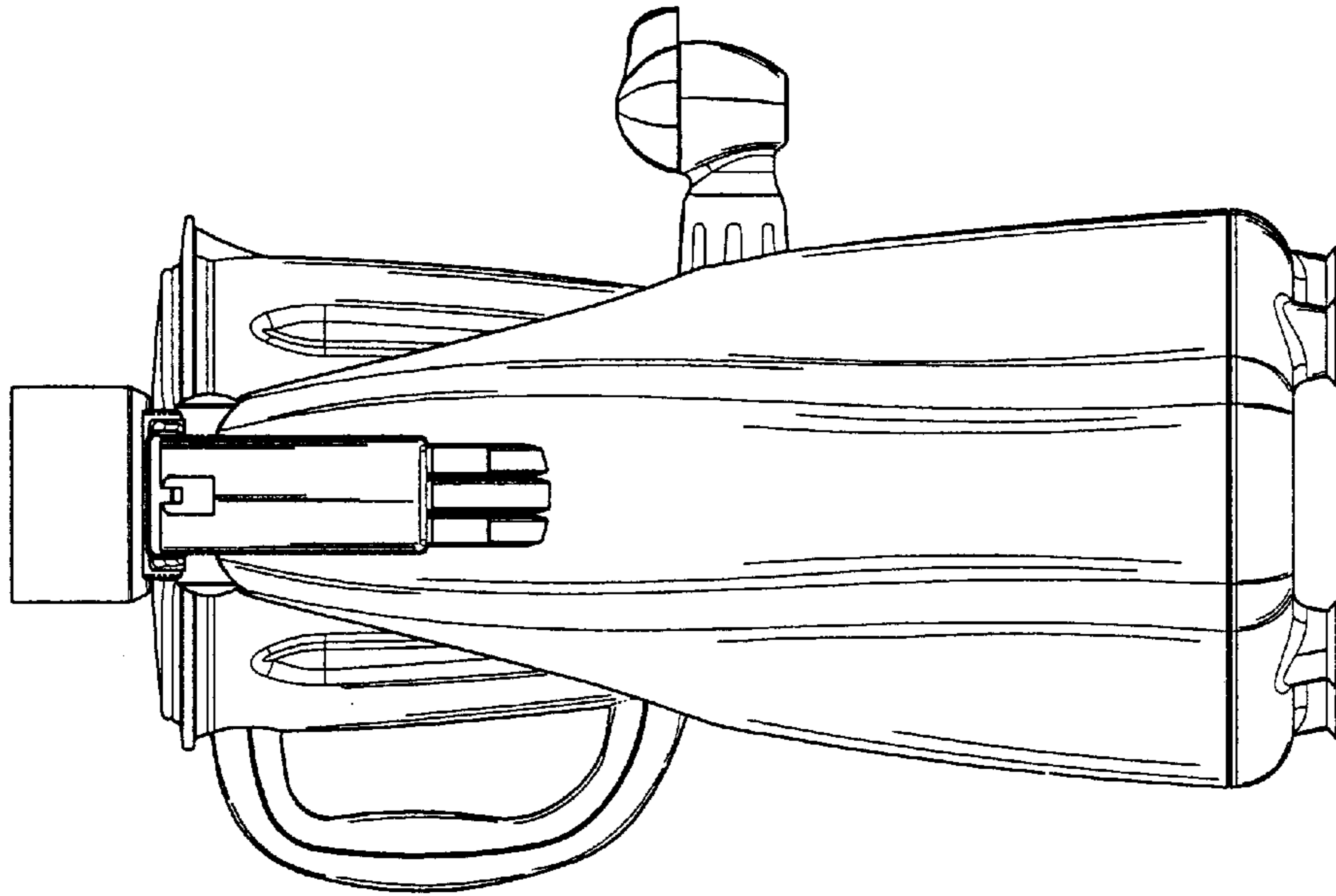


FIG.3

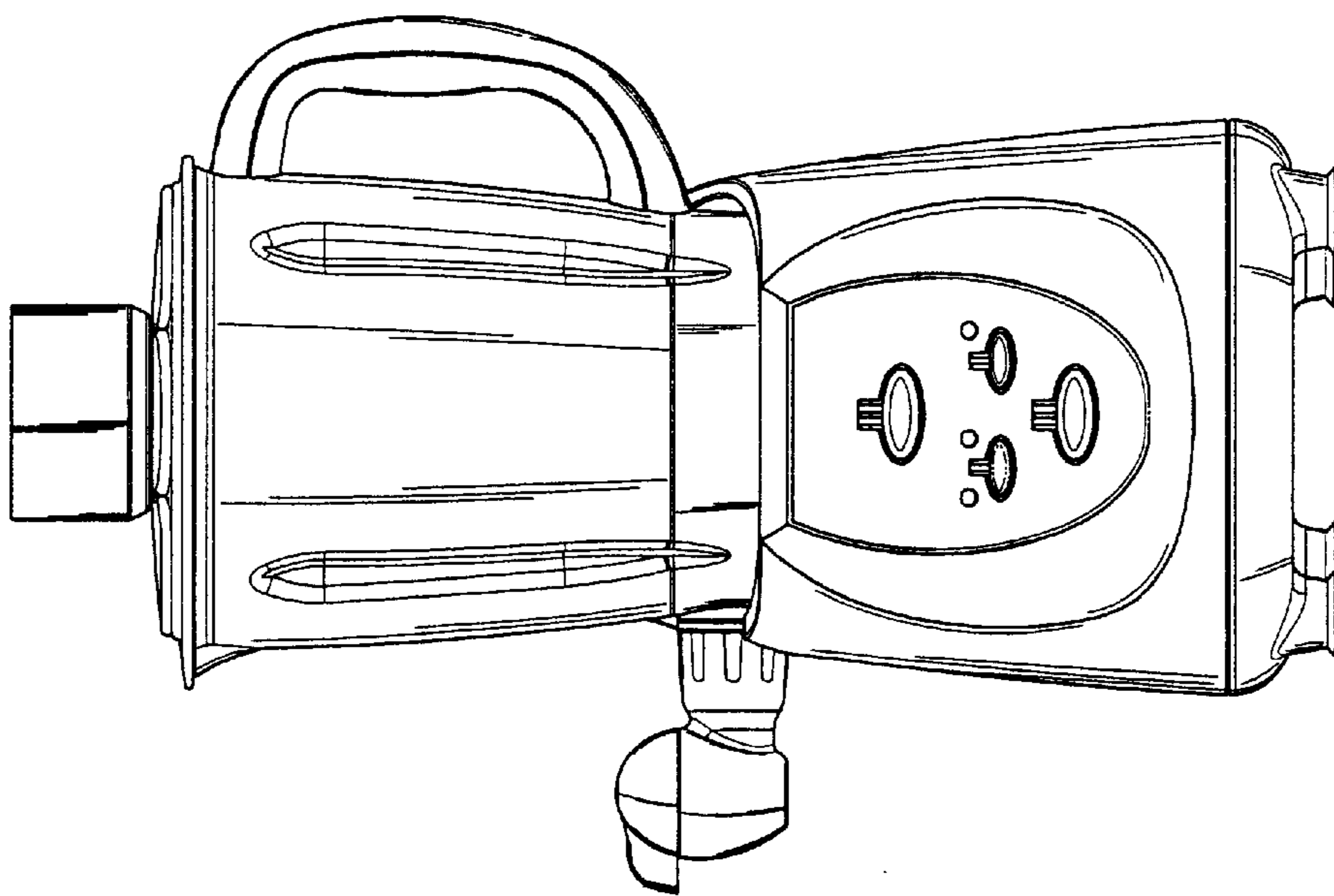


FIG.2

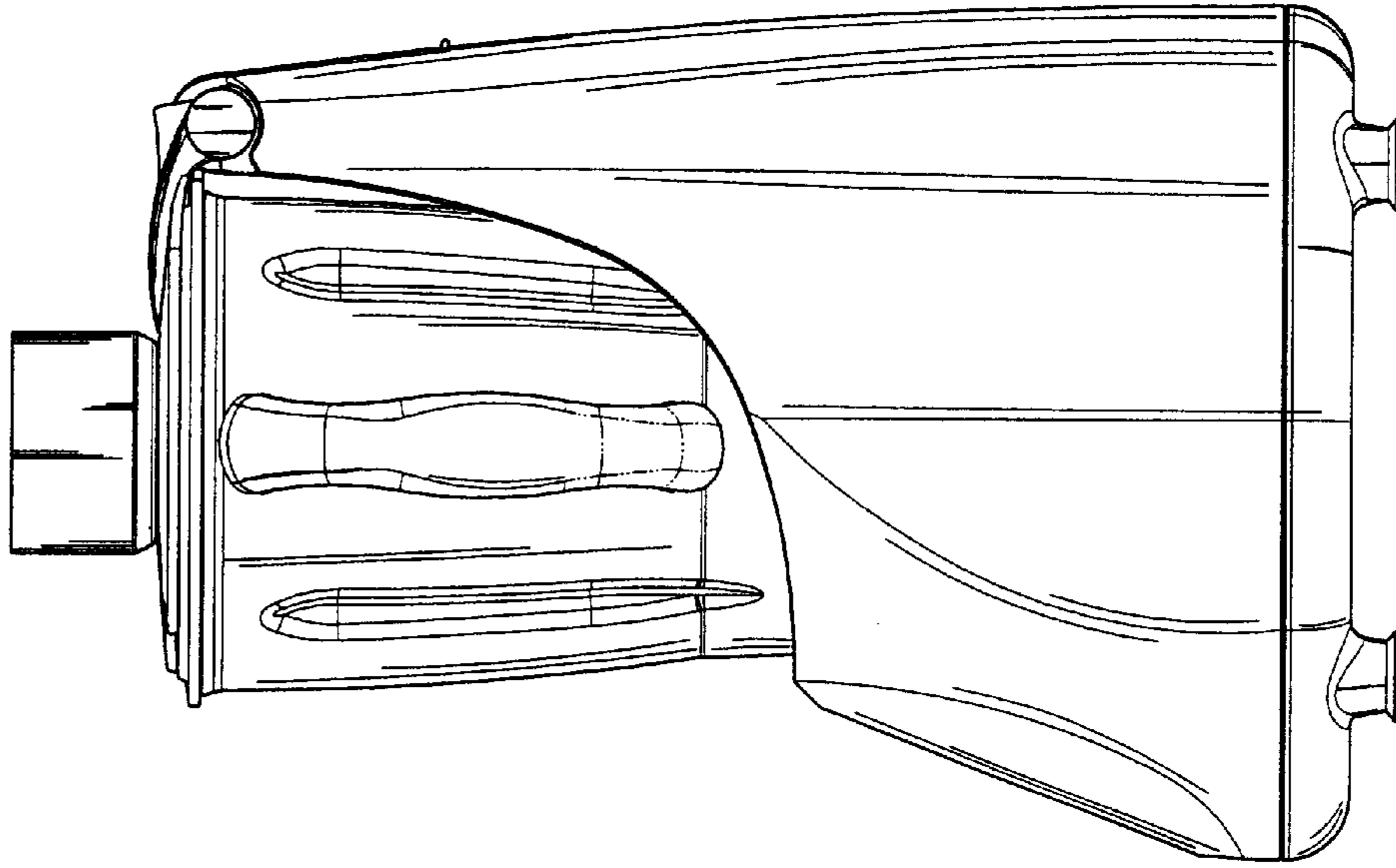


FIG.5

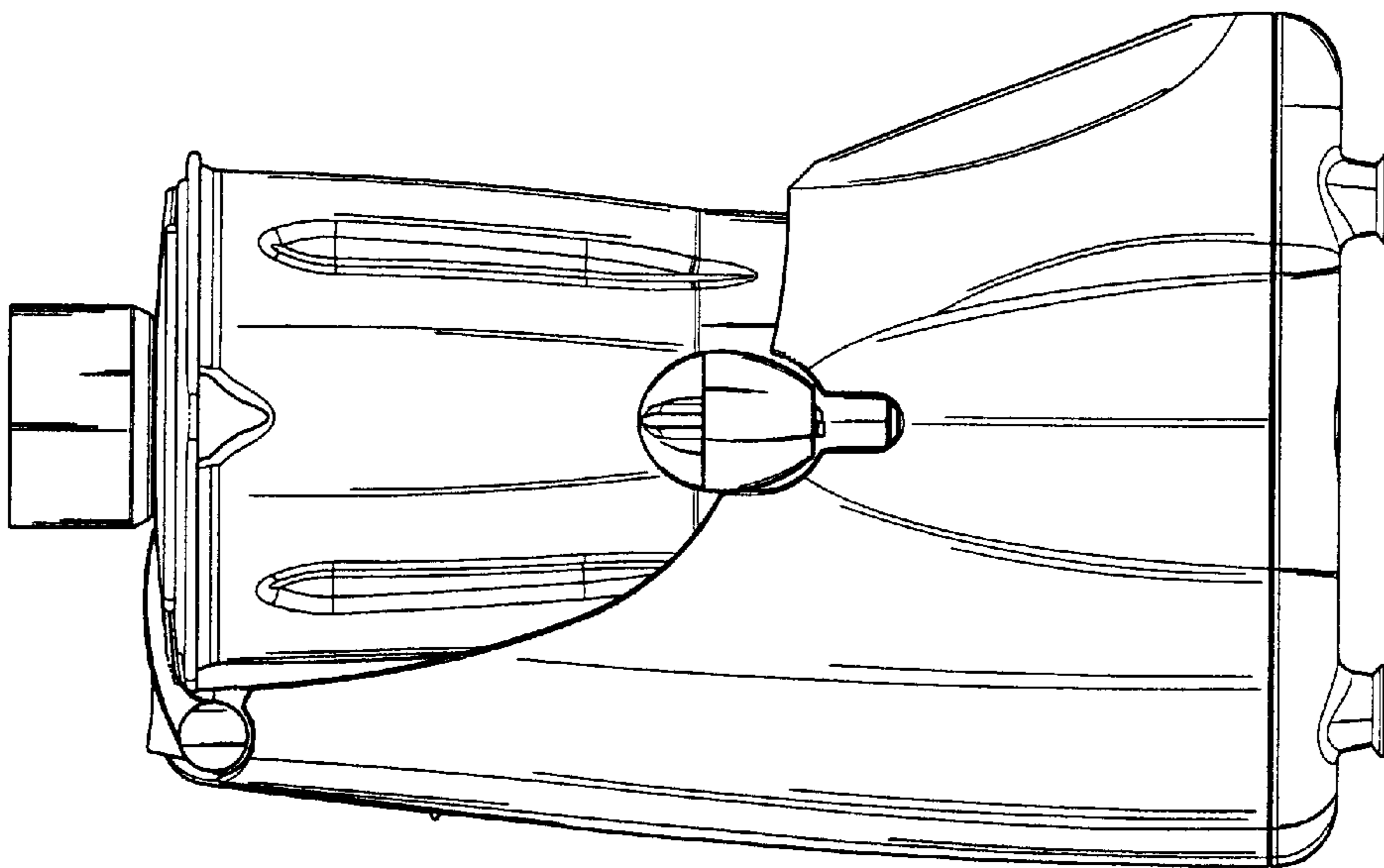


FIG.4

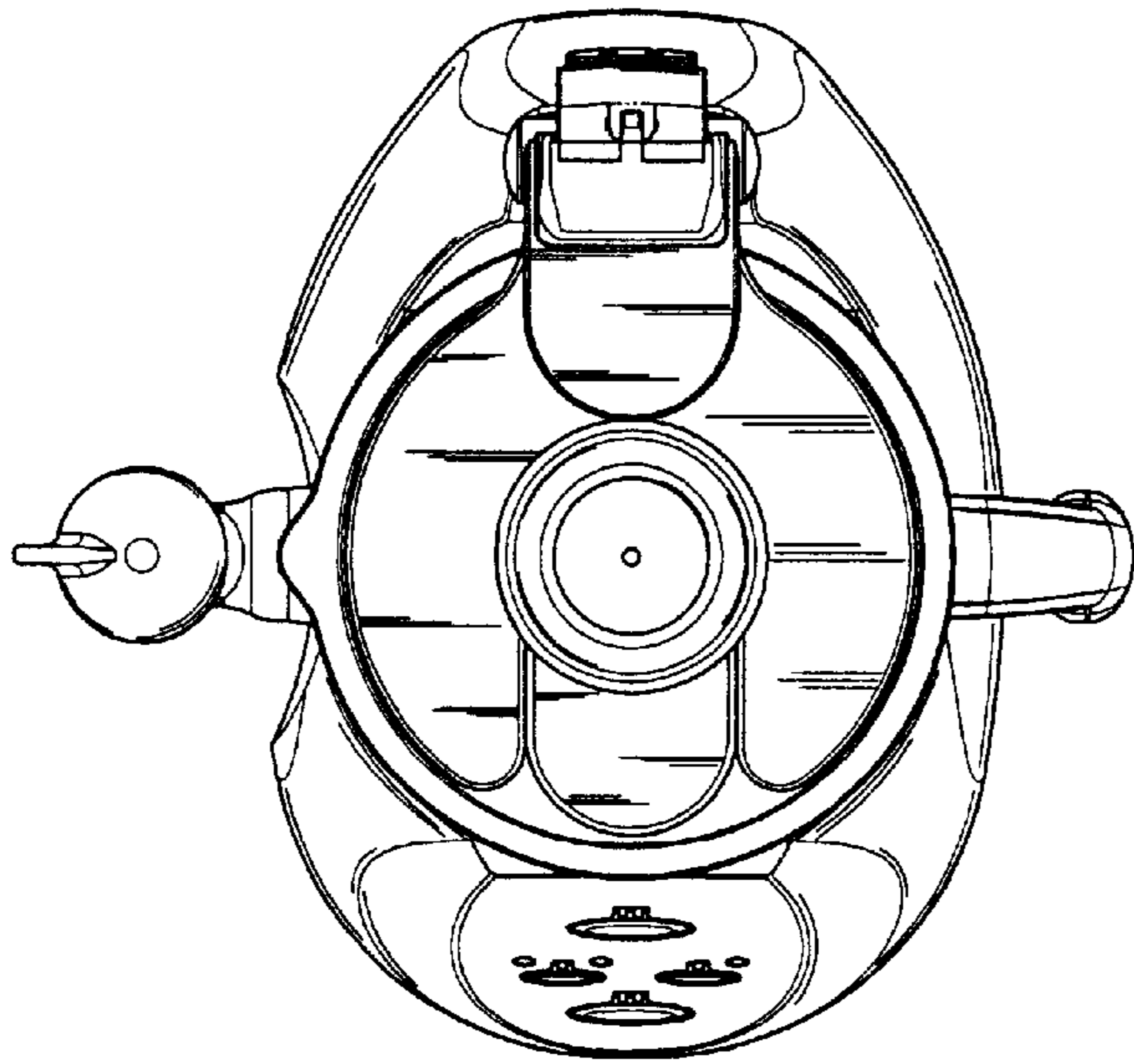


FIG.6

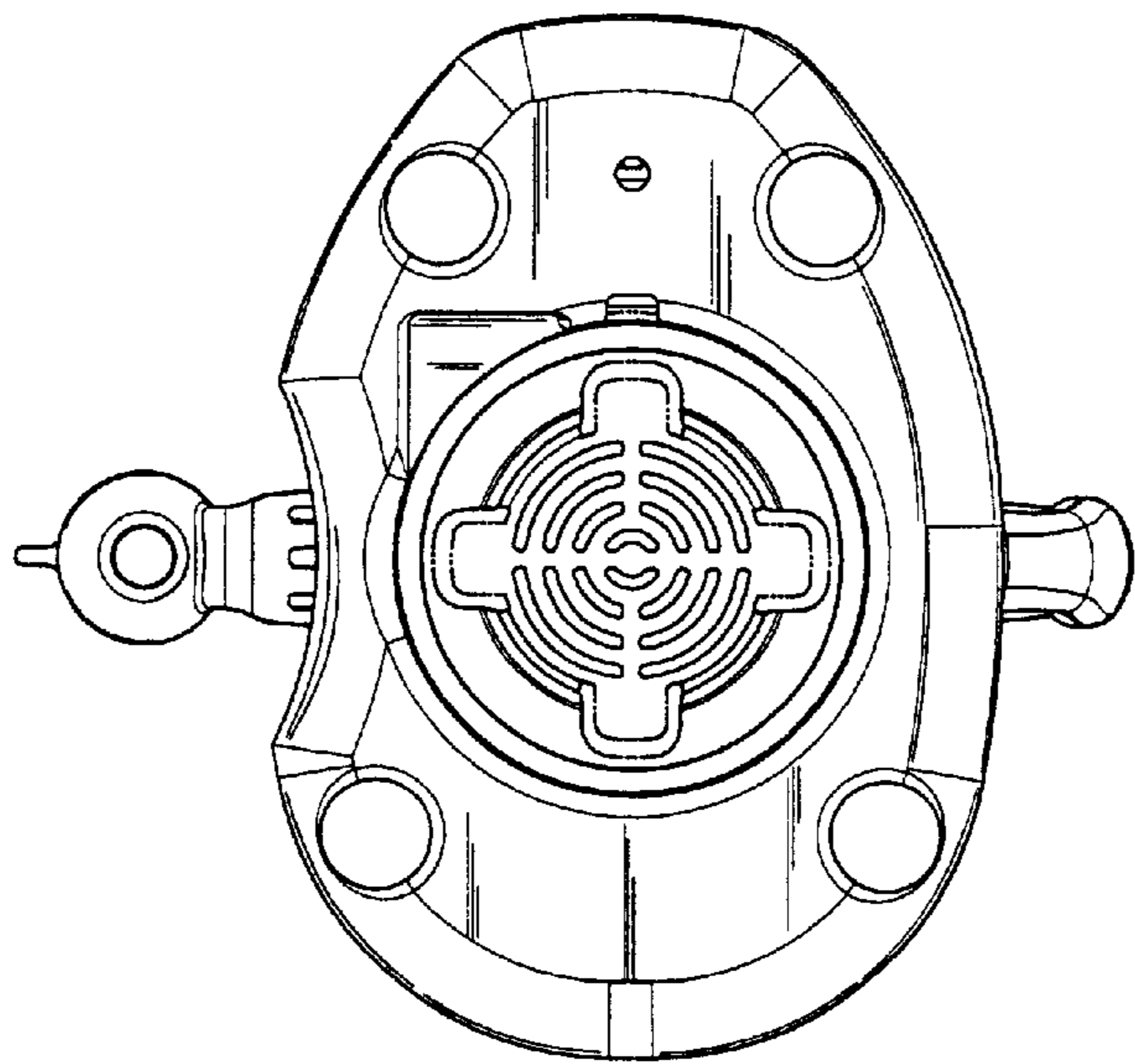


FIG.7