



US00D483606S

(12) **United States Design Patent**
Hsu

(10) **Patent No.:** **US D483,606 S**

(45) **Date of Patent:** **** Dec. 16, 2003**

(54) **PORTABLE GAS-STOVE**

(76) Inventor: **Chin-Mei Hsu**, 3Fl., No. 53, Lane 80,
Sec. 4, Cheng-Te Road, Taipei (TW)

(**) Term: **14 Years**

(21) Appl. No.: **29/163,719**

(22) Filed: **Jul. 11, 2002**

(51) **LOC (7) Cl.** **07-02**

(52) **U.S. Cl.** **D7/366**

(58) **Field of Search** D7/332-337, 402-404,
D7/362-367; 126/25 R, 25 A, 25 AA, 9 R,
9 A, 9 B, 38, 40, 41 R, 26, 29-30, 406,
39 R, 39 F, 39 H, 39 E; 99/419, 421 R,
421 H, 421 HV; 431/278, 355, 207, 233,
344, 345, 350, 142, 144, 203-204, 206,
258, 255; 219/533

(56) **References Cited**

U.S. PATENT DOCUMENTS

1,893,253 A * 1/1933 Stokes et al. 219/533

D246,151 S * 10/1977 Chan D7/337

5,573,393 A * 11/1996 Tsai 431/255

D424,364 S * 5/2000 Persson D7/337

D447,664 S * 9/2001 Stephens et al. D7/337

* cited by examiner

Primary Examiner—Ruth McInroy

(57) **CLAIM**

The ornamental design for portable gas-stove, as shown and described.

DESCRIPTION

FIG. 1 is a perspective view of portable gas-stove showing my new design;

FIG. 2 is a front elevational view thereof;

FIG. 3 is a rear elevational view thereof;

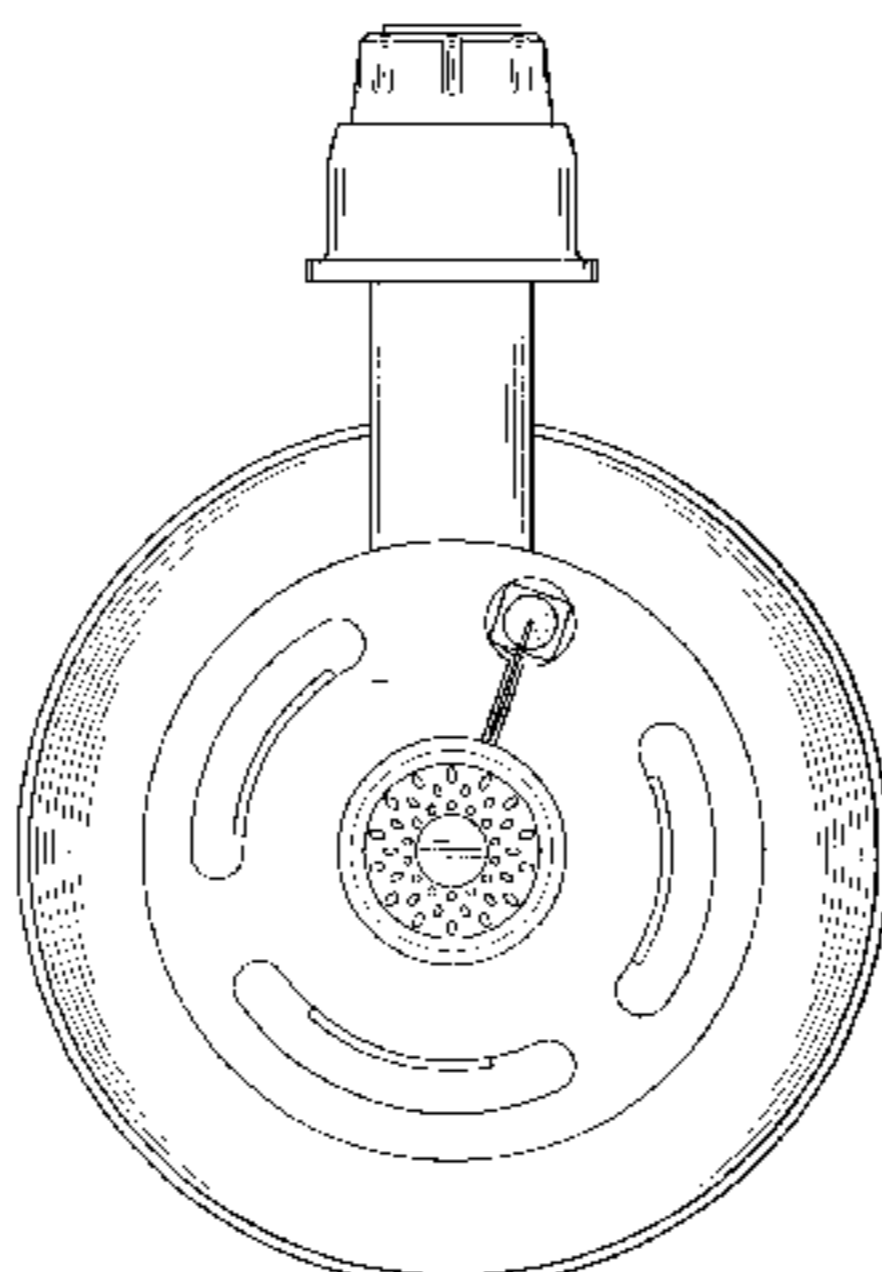
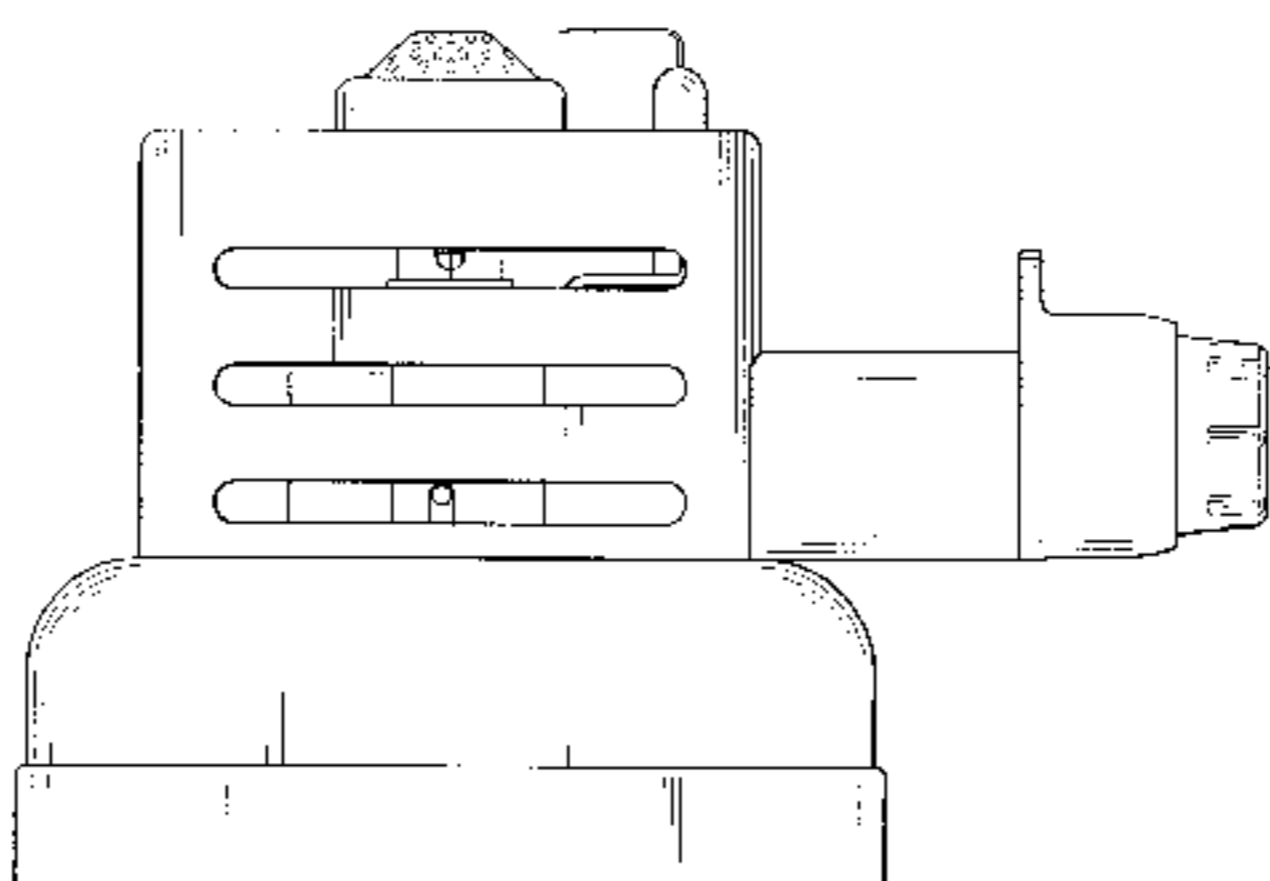
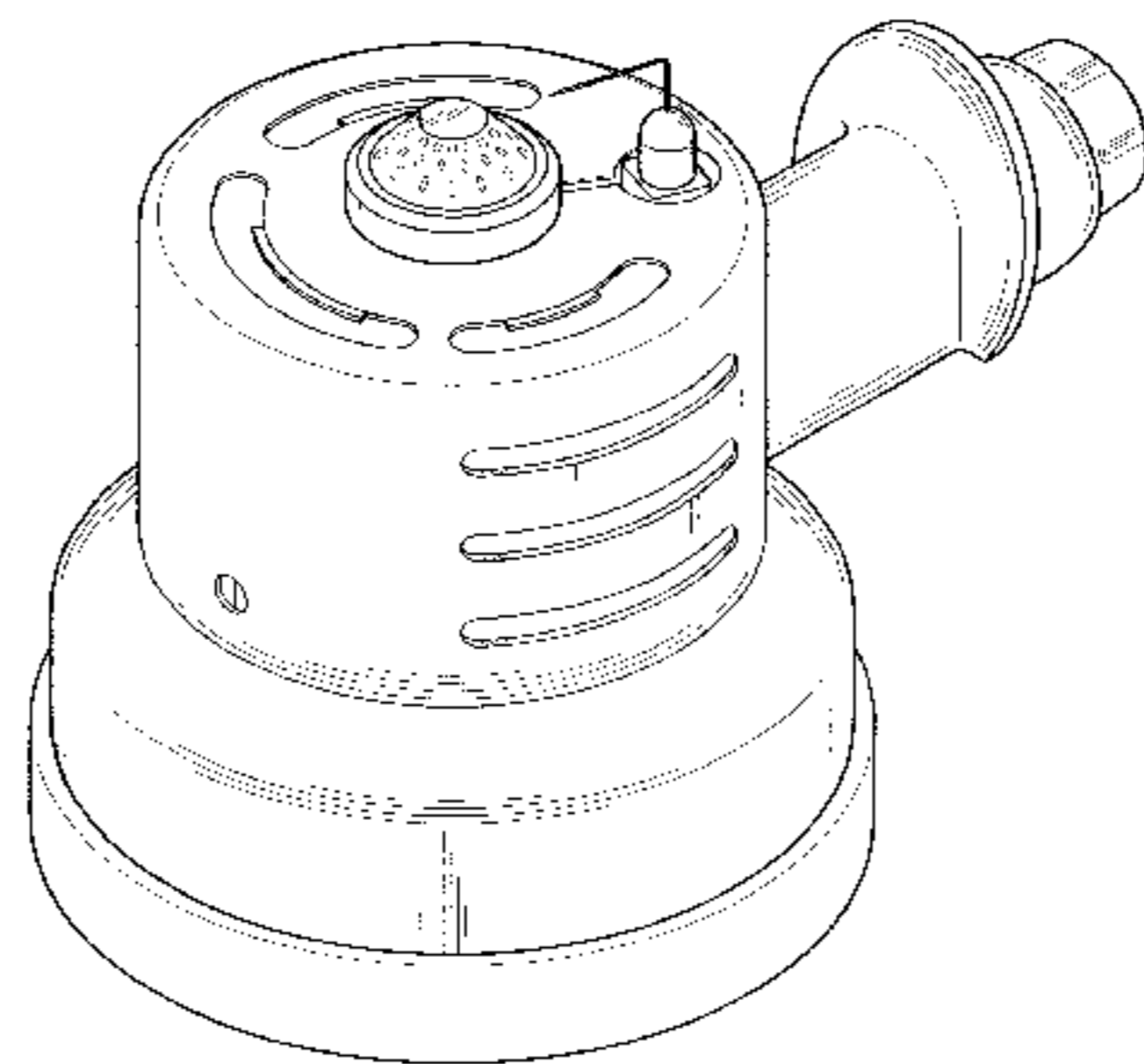
FIG. 4 is a left side elevational view thereof;

FIG. 5 is right side elevational view thereof;

FIG. 6 is a top view thereof; and,

FIG. 7 is a bottom view thereof.

1 Claim, 7 Drawing Sheets



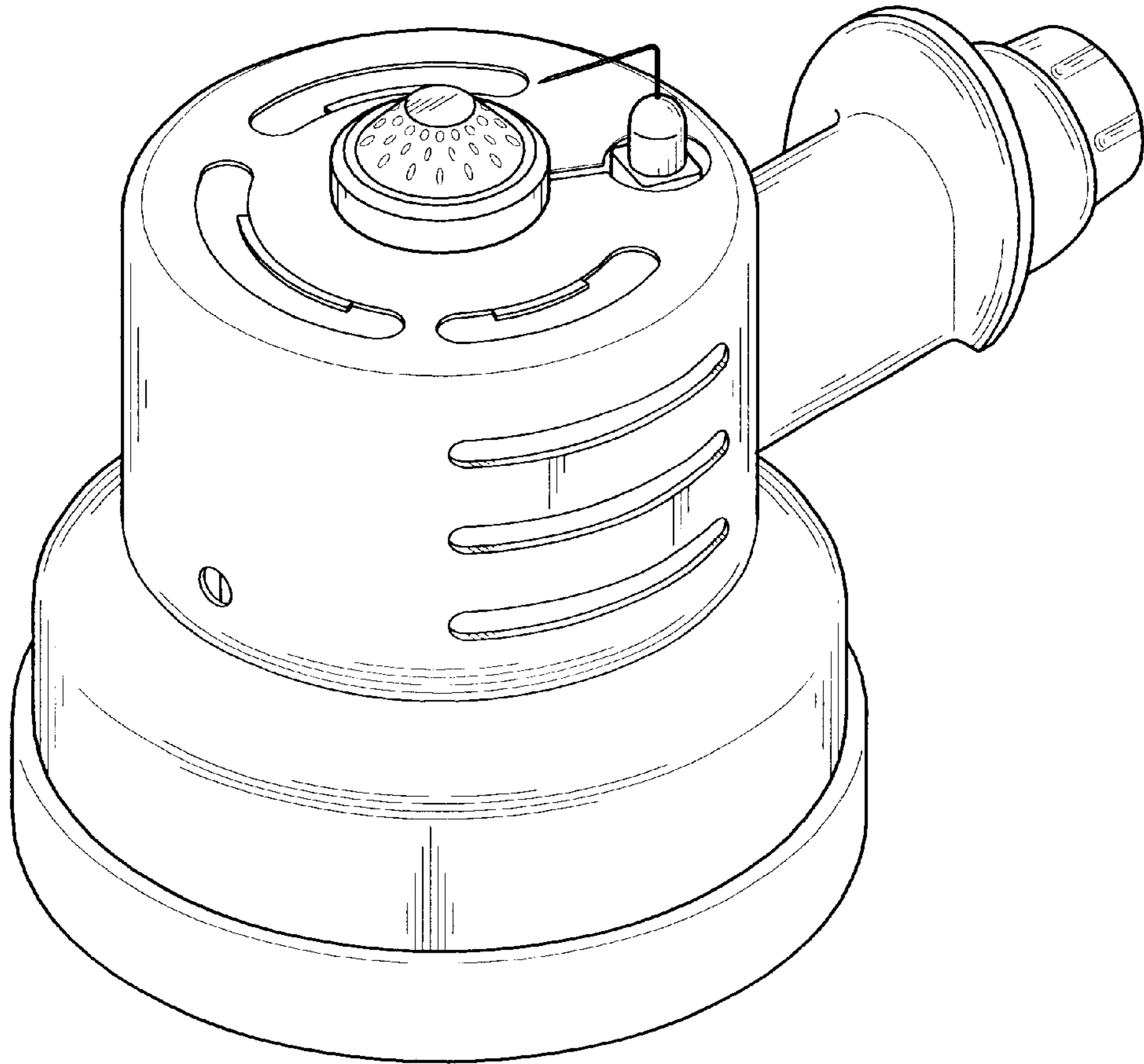


FIG. 1

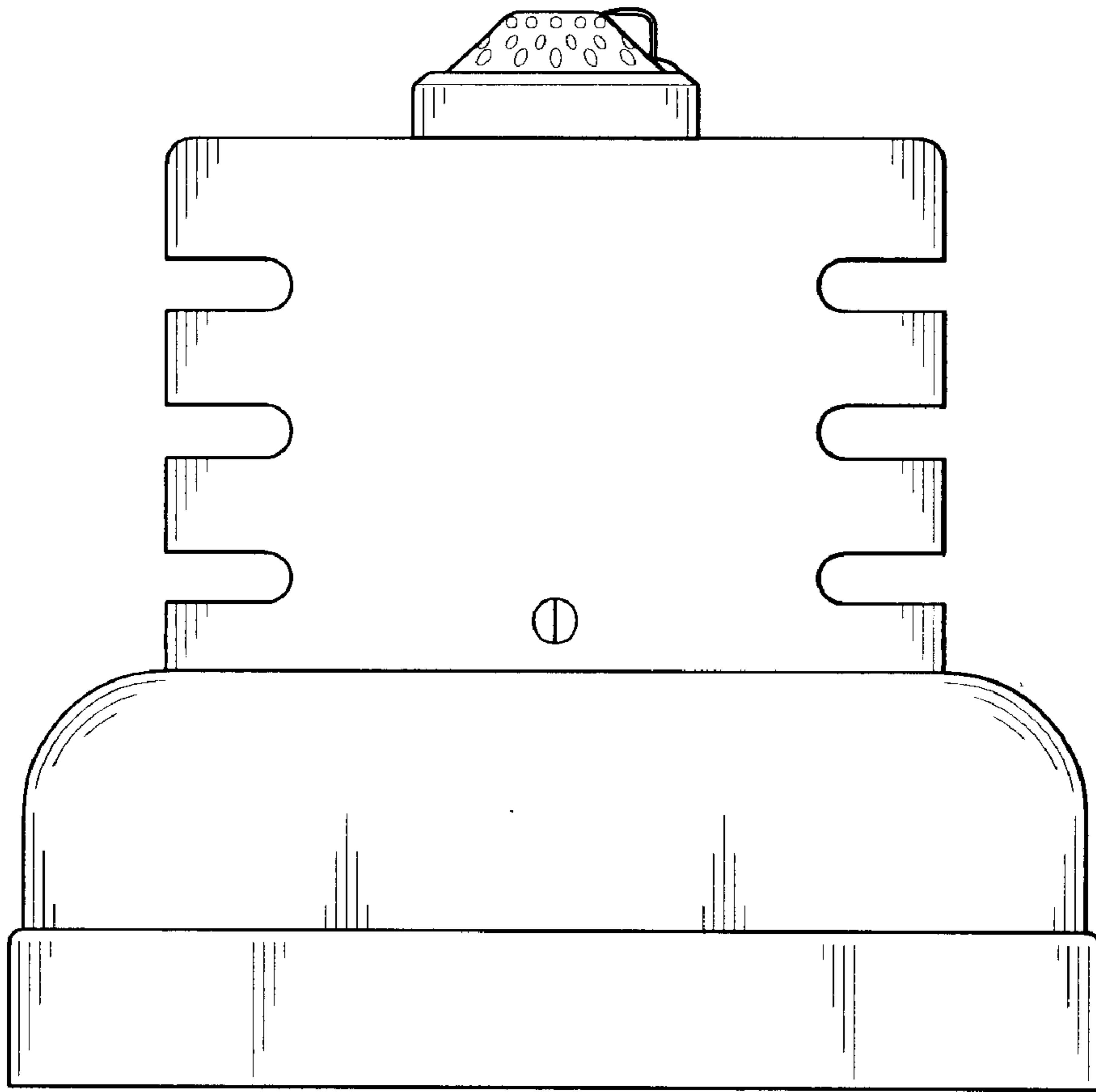


FIG. 2

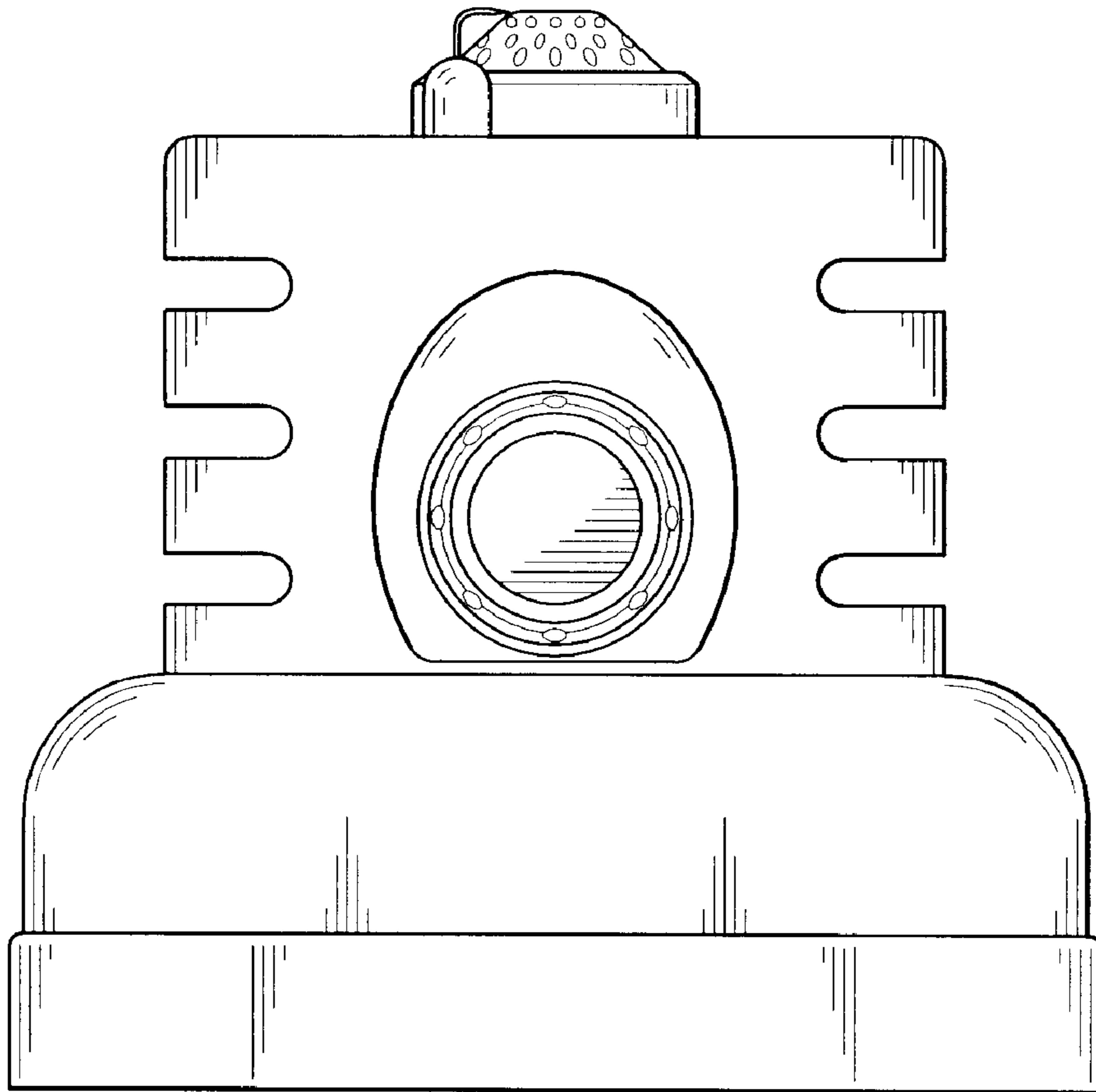


FIG. 3

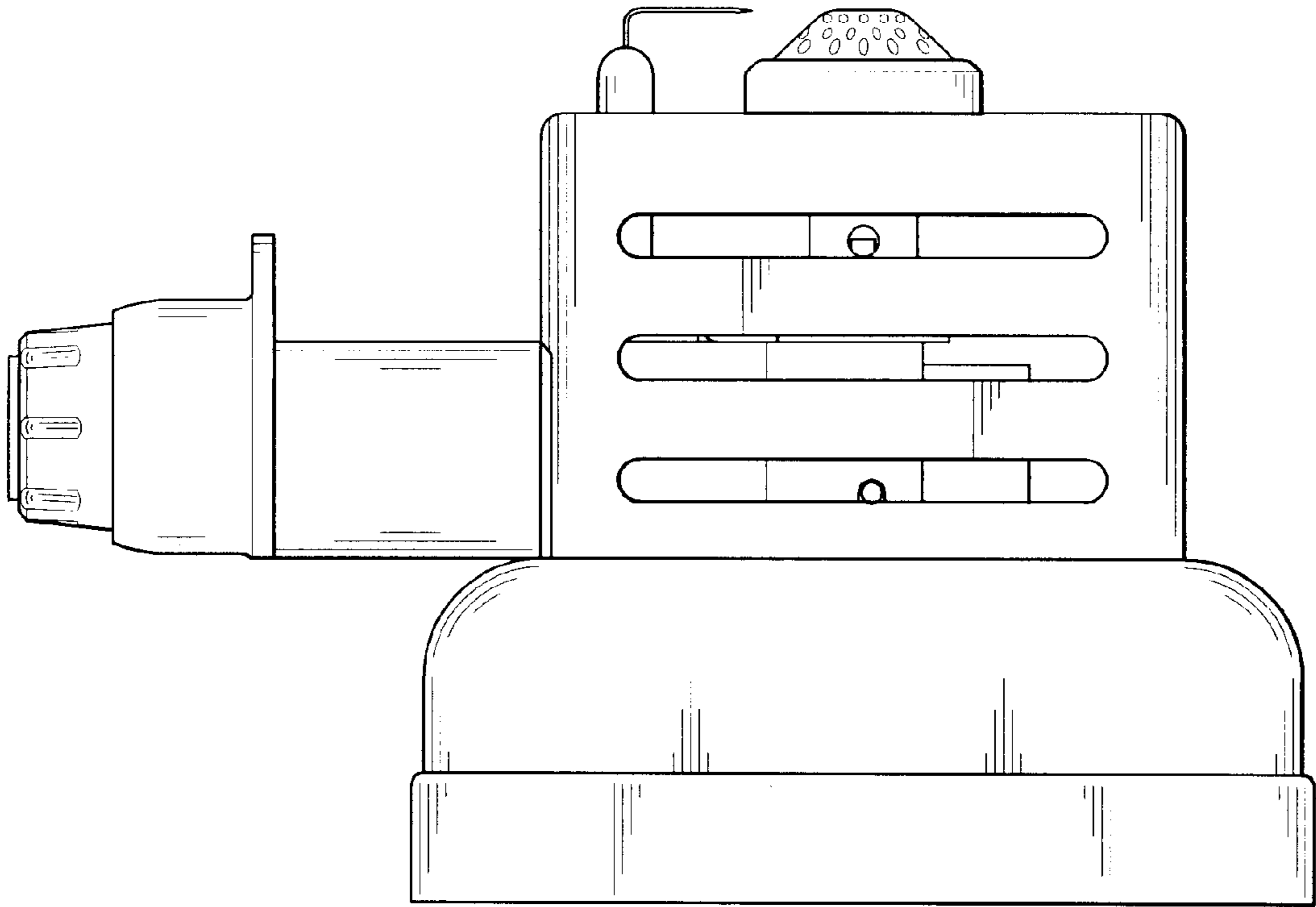


FIG. 4

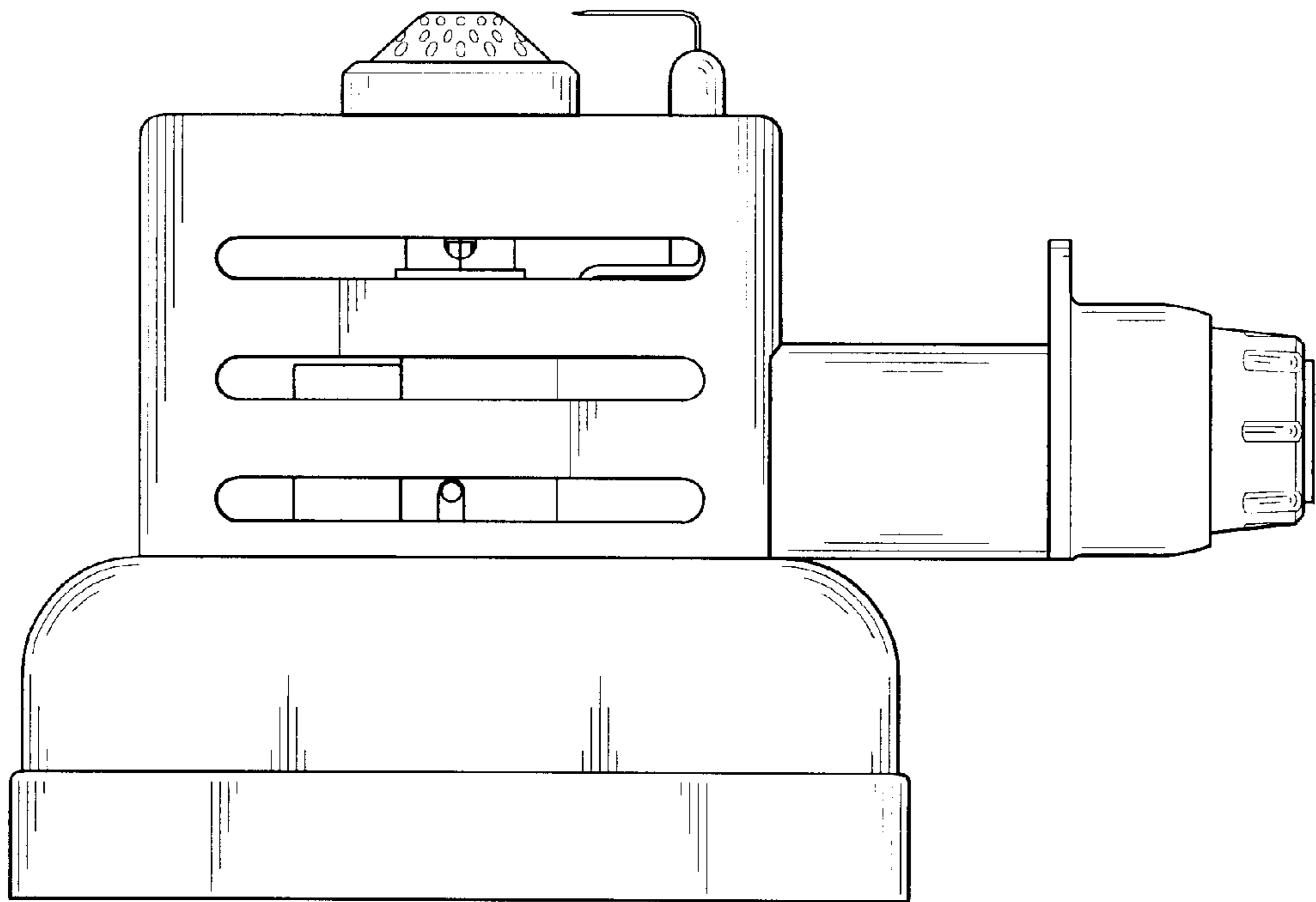


FIG. 5

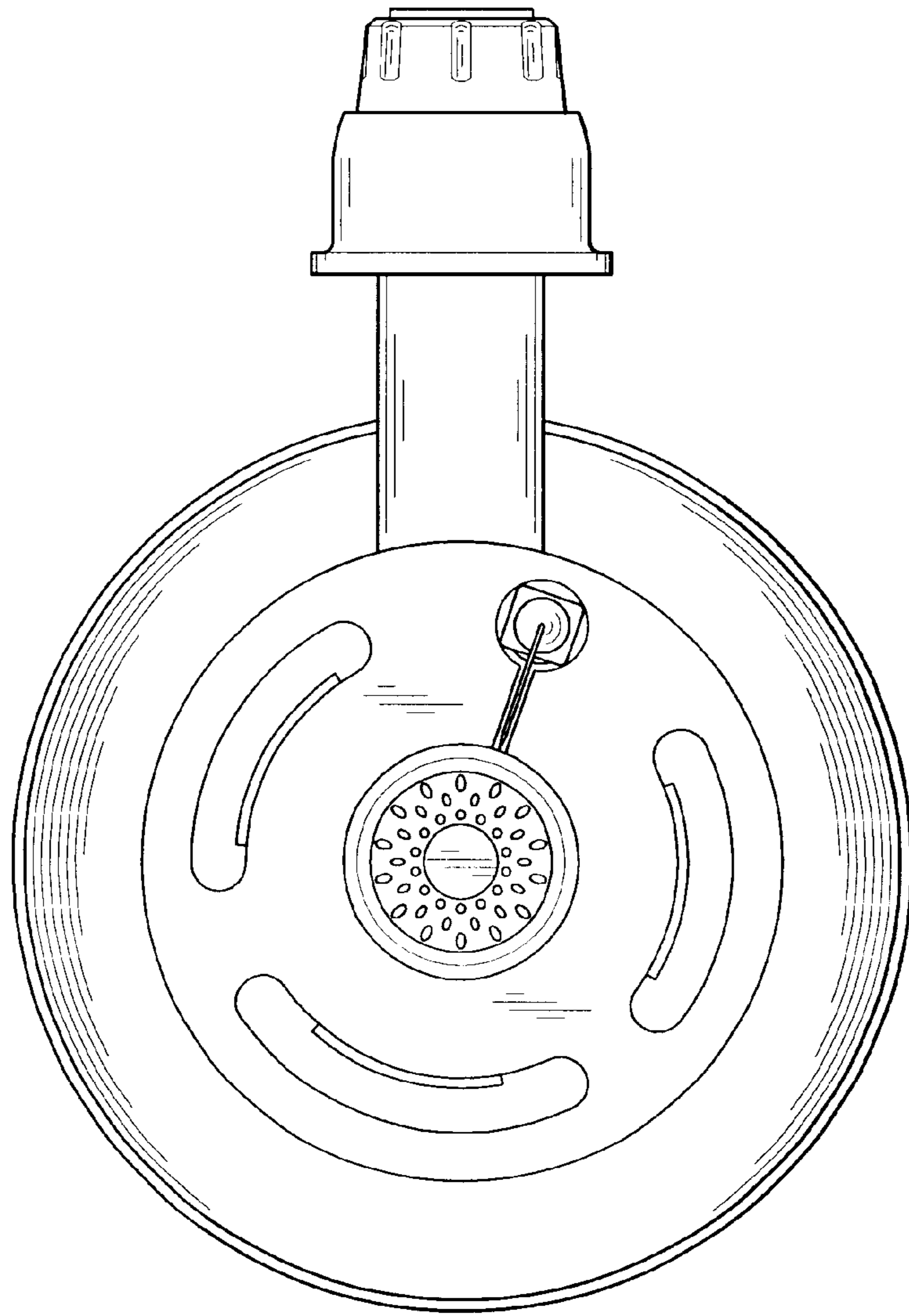


FIG. 6

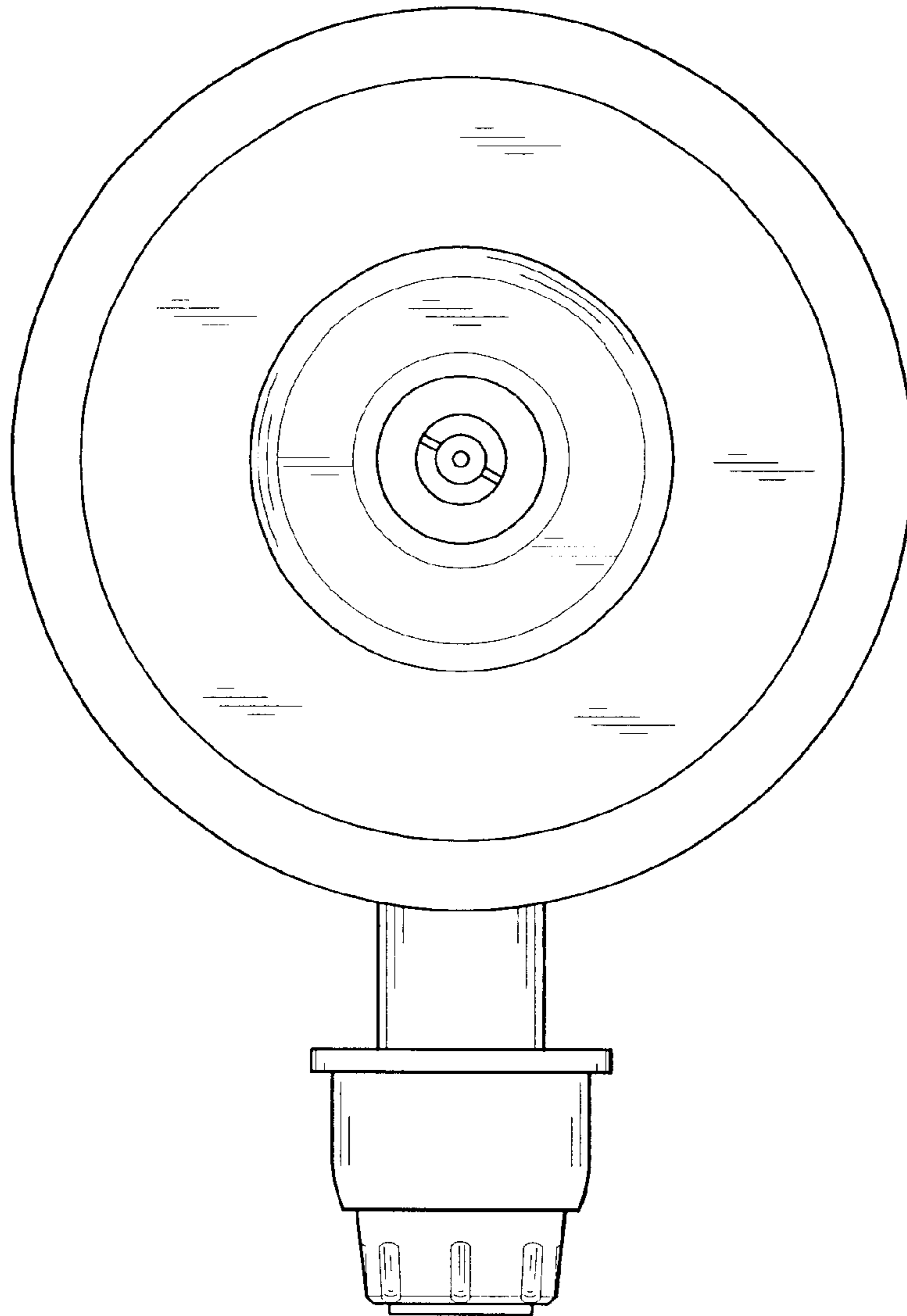


FIG. 7