



US00D483600S

(12) **United States Design Patent**
Thurlow et al.

(10) **Patent No.:** **US D483,600 S**

(45) **Date of Patent:** **** Dec. 16, 2003**

(54) **KETTLE**

(75) Inventors: **Heida L. Thurlow**, Houston, TX (US);
Aaron Szymanski, Bristol, CT (US)

(73) Assignee: **Lentrade, Inc.**, Houston, TX (US)

(**) Term: **14 Years**

(21) Appl. No.: **29/157,518**

(22) Filed: **Mar. 20, 2002**

(51) **LOC (7) Cl.** **07-01**

(52) **U.S. Cl.** **D7/322; D7/321**

(58) **Field of Search** D7/300, 312, 316,
D7/317, 318, 319, 321, 322, 598, 600;
141/381; D23/209; 215/12.1; 220/504, 4.01,
326; 222/189, 108, 465.1; 210/85; 99/295,
275, 279

(56) **References Cited**

U.S. PATENT DOCUMENTS

D175,856 S	*	10/1955	Rowan	D7/319
D282,436 S		2/1986	Thurlow		
D289,001 S		3/1987	Thurlow		
D322,734 S	*	12/1991	Solomon	D7/322
5,339,978 A	*	8/1994	Coppier	220/318
D362,991 S	*	10/1995	Blanc	D7/312
D380,929 S	*	7/1997	Wheeler	D7/322
D380,930 S	*	7/1997	Wheeler	D7/322
D381,859 S	*	8/1997	Joergensen	D7/322

D411,405 S		6/1999	Thurlow		
D442,015 S	*	5/2001	Doret, Jr.	D7/322
D448,963 S	*	10/2001	Shim	D7/322
D465,122 S	*	11/2002	Bouhuys et al.	D7/321

OTHER PUBLICATIONS

Hoffritz Box Cover—2.8 Quart Whistling Tea Kettle published before Oct. 200, New York, NY.

* cited by examiner

Primary Examiner—M. N. Pandozzi

(74) *Attorney, Agent, or Firm*—Browning Bushman P.C.

(57) **CLAIM**

The ornamental design for a kettle, as shown and described.

DESCRIPTION

FIG. 1 is a top, front, and right side perspective view of a kettle showing our new design;
FIG. 2 is a bottom plan view of the kettle as shown in FIG. 1;
FIG. 3 is a top plan view of the kettle as shown in FIG. 1;
FIG. 4 is a right side elevational view of the kettle shown in FIG. 1;
FIG. 5 is a front elevational view of the kettle shown in FIG. 1; and,
FIG. 6 is a rear elevational view of the kettle shown in FIG. 1.

1 Claim, 3 Drawing Sheets

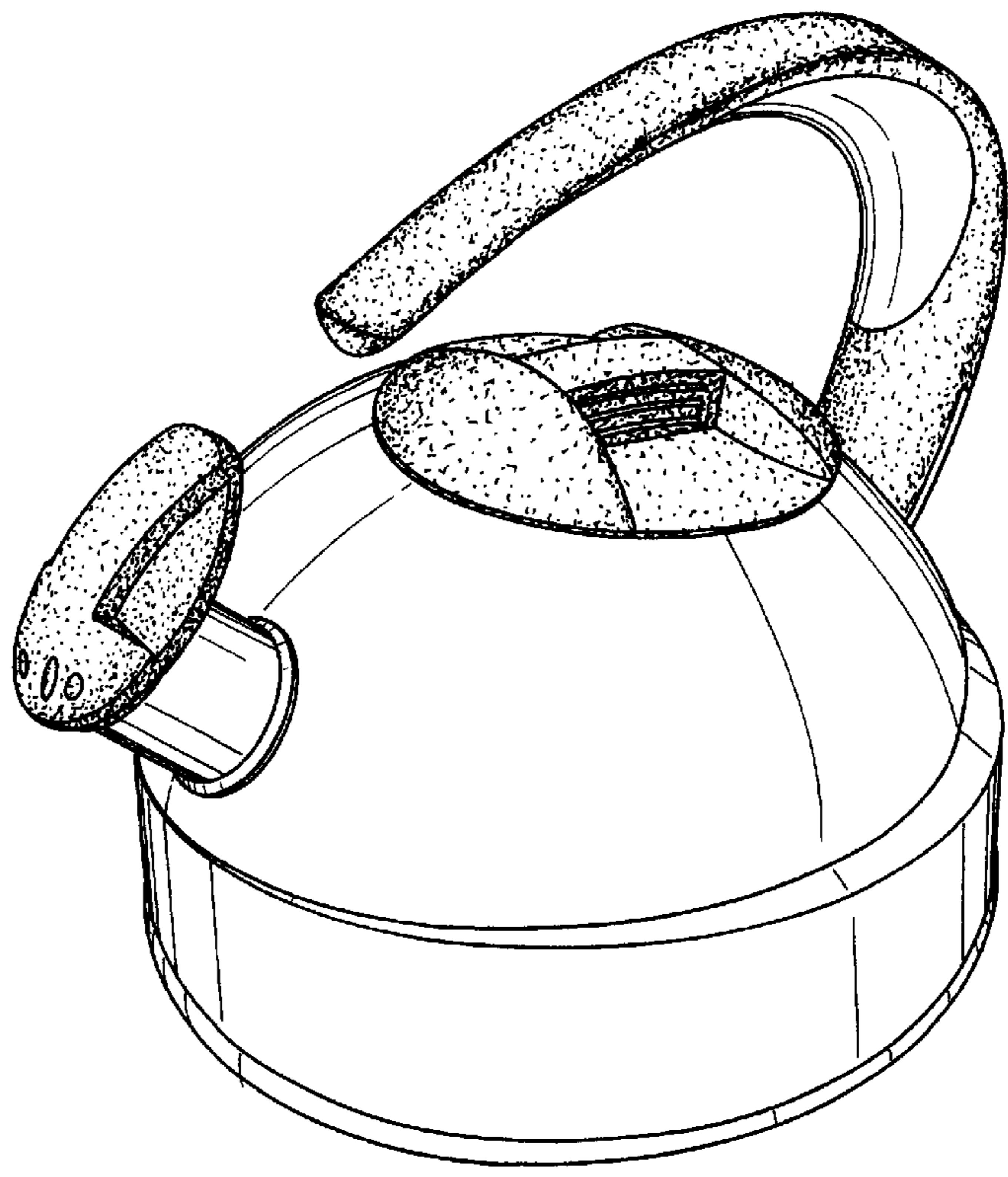


FIG. 1

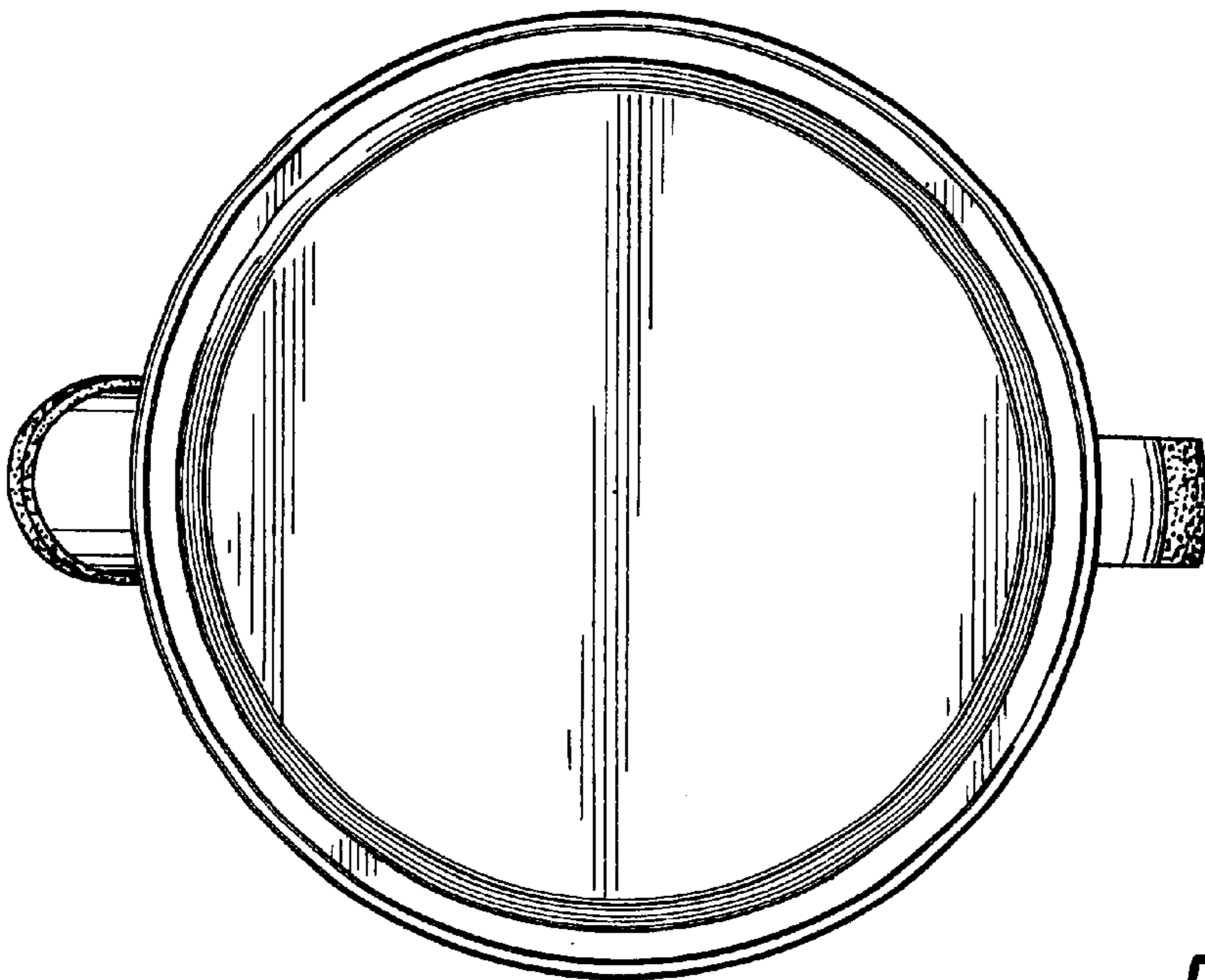
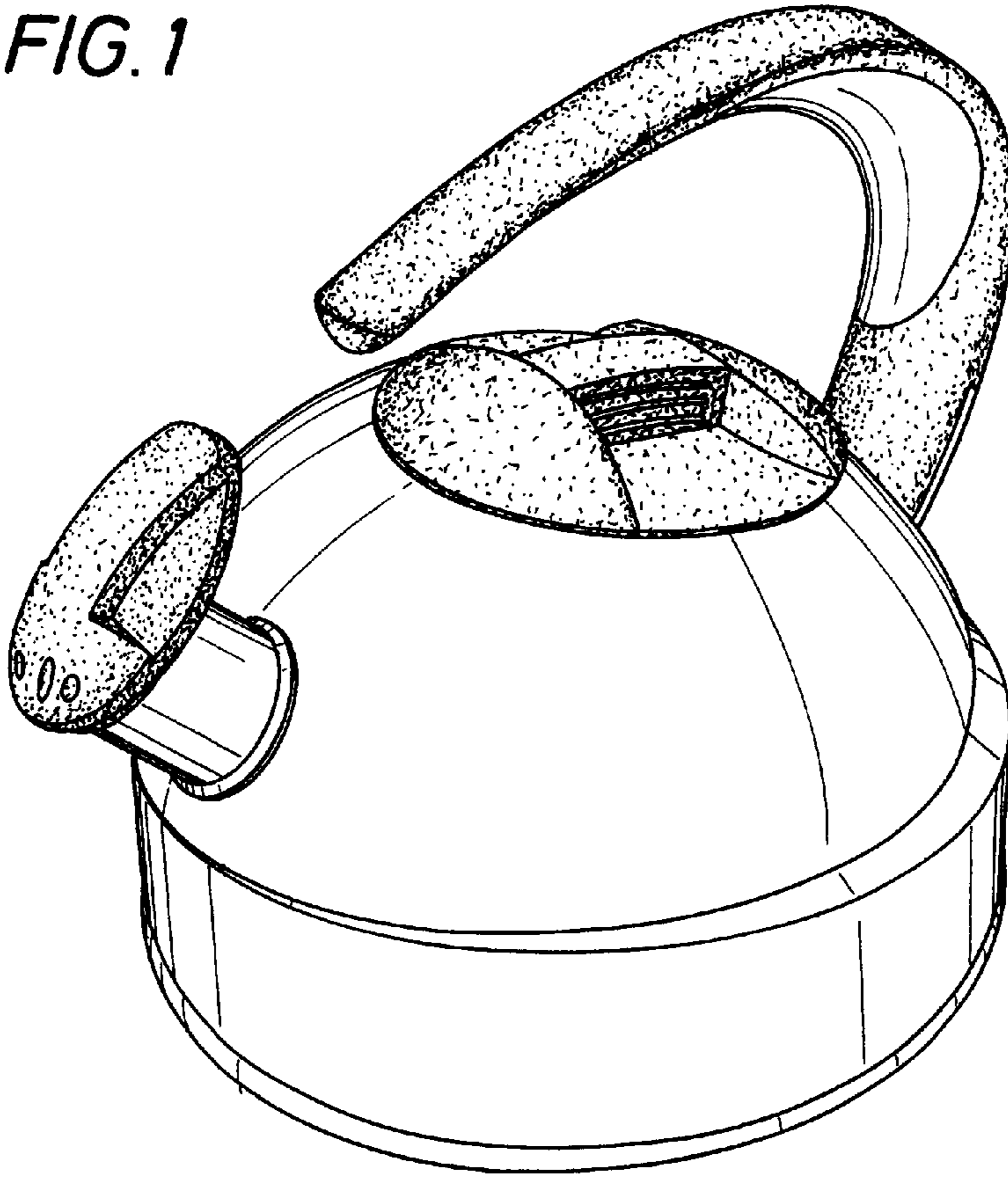


FIG. 2

FIG. 3

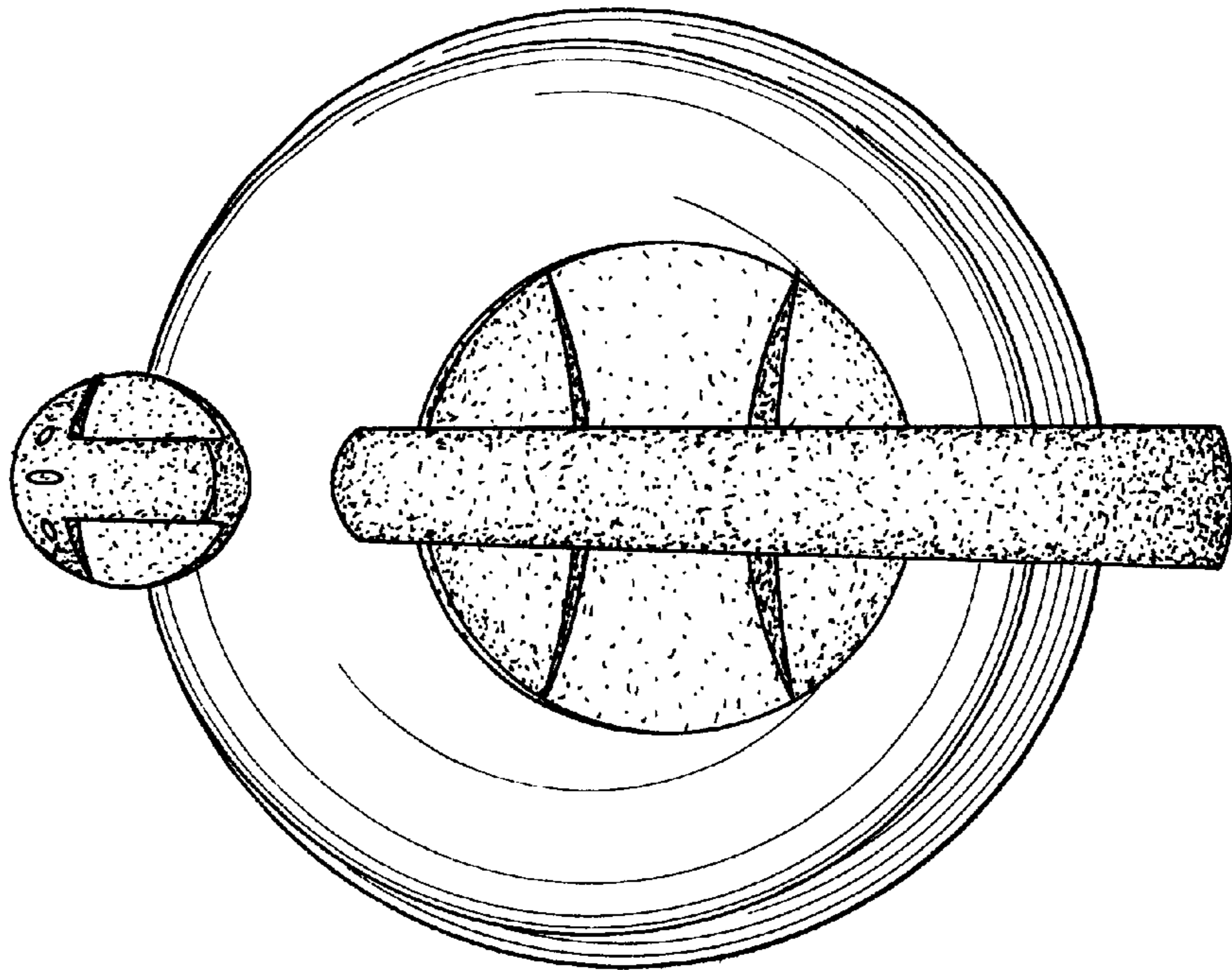
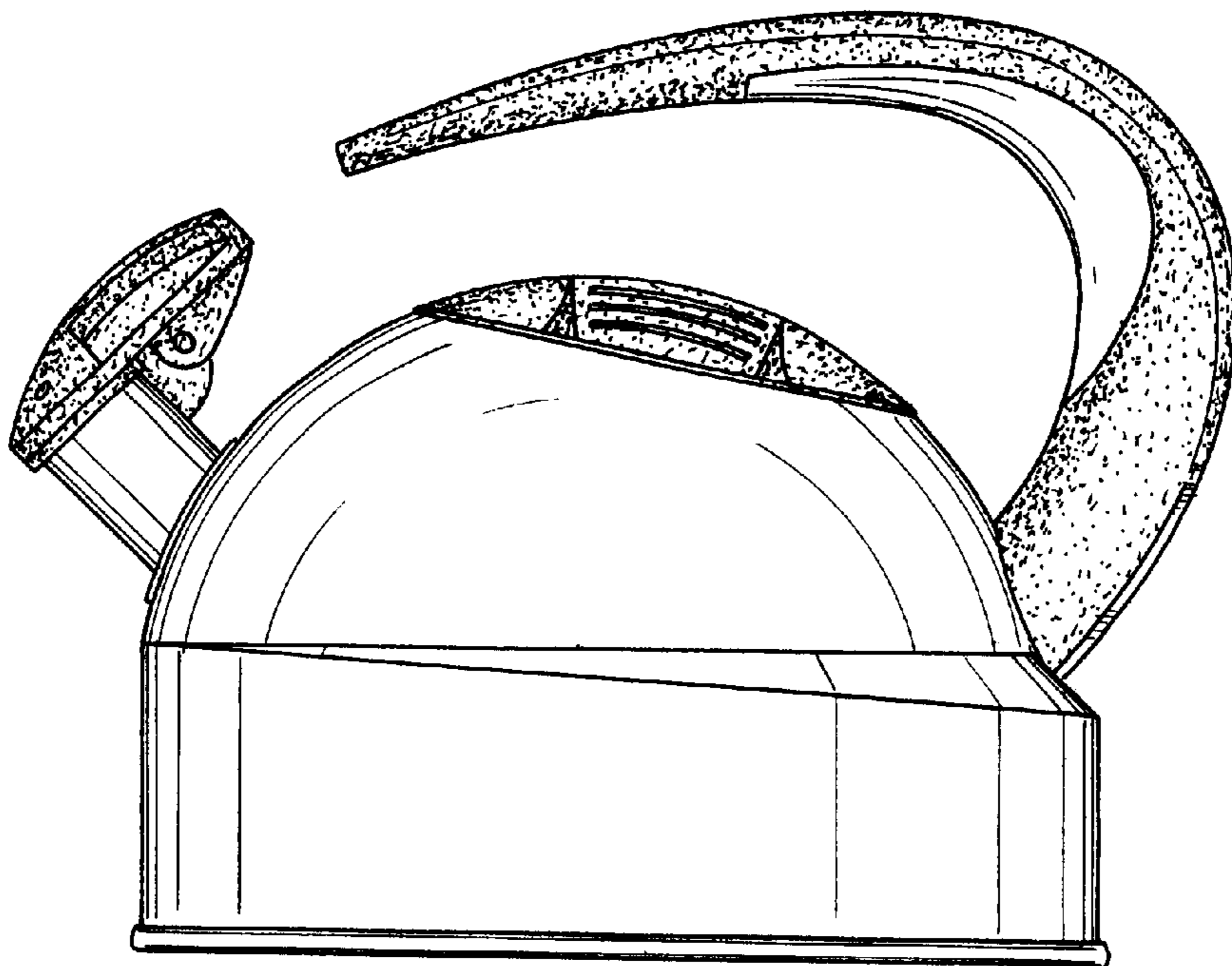


FIG. 4



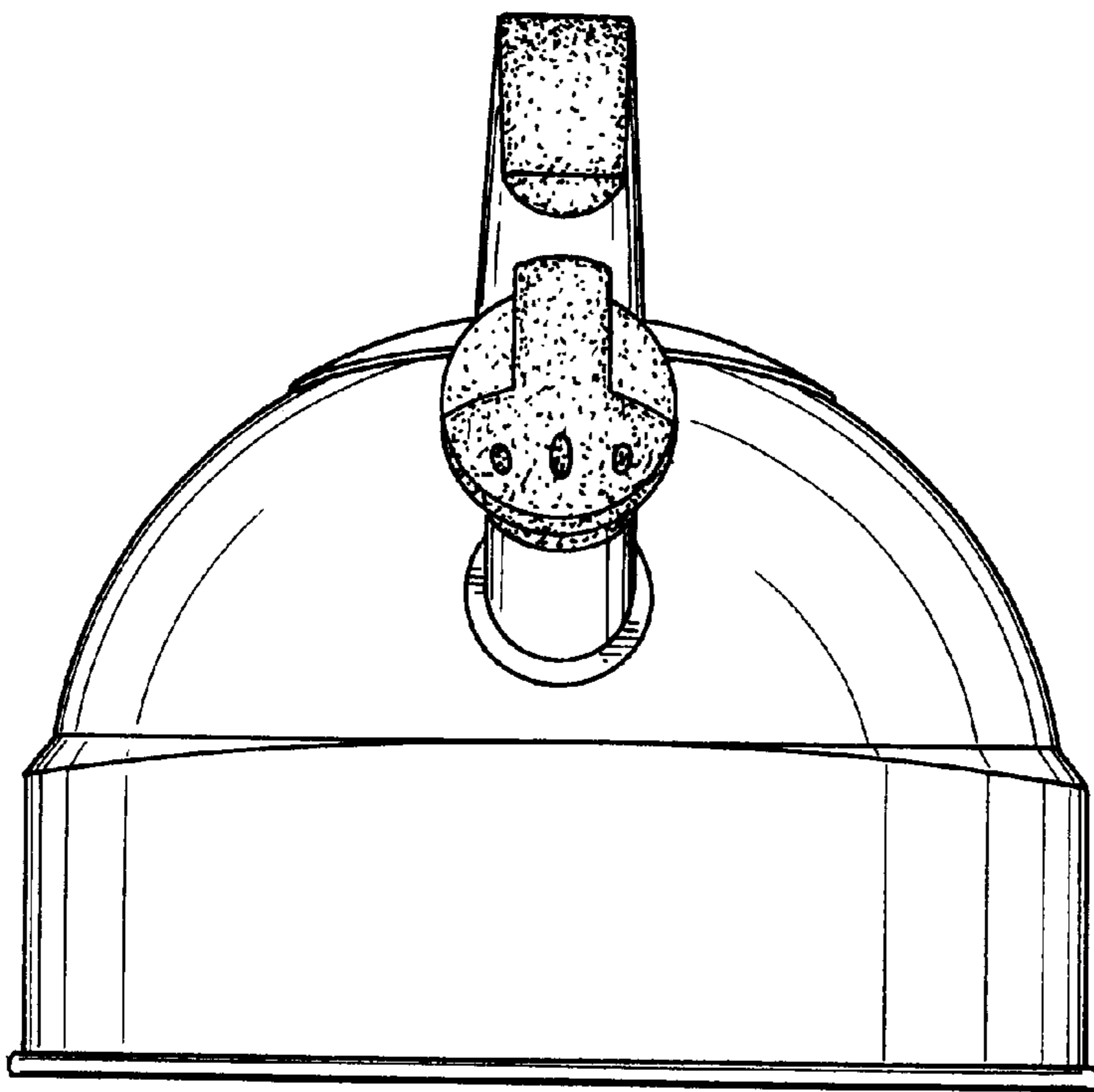


FIG. 5

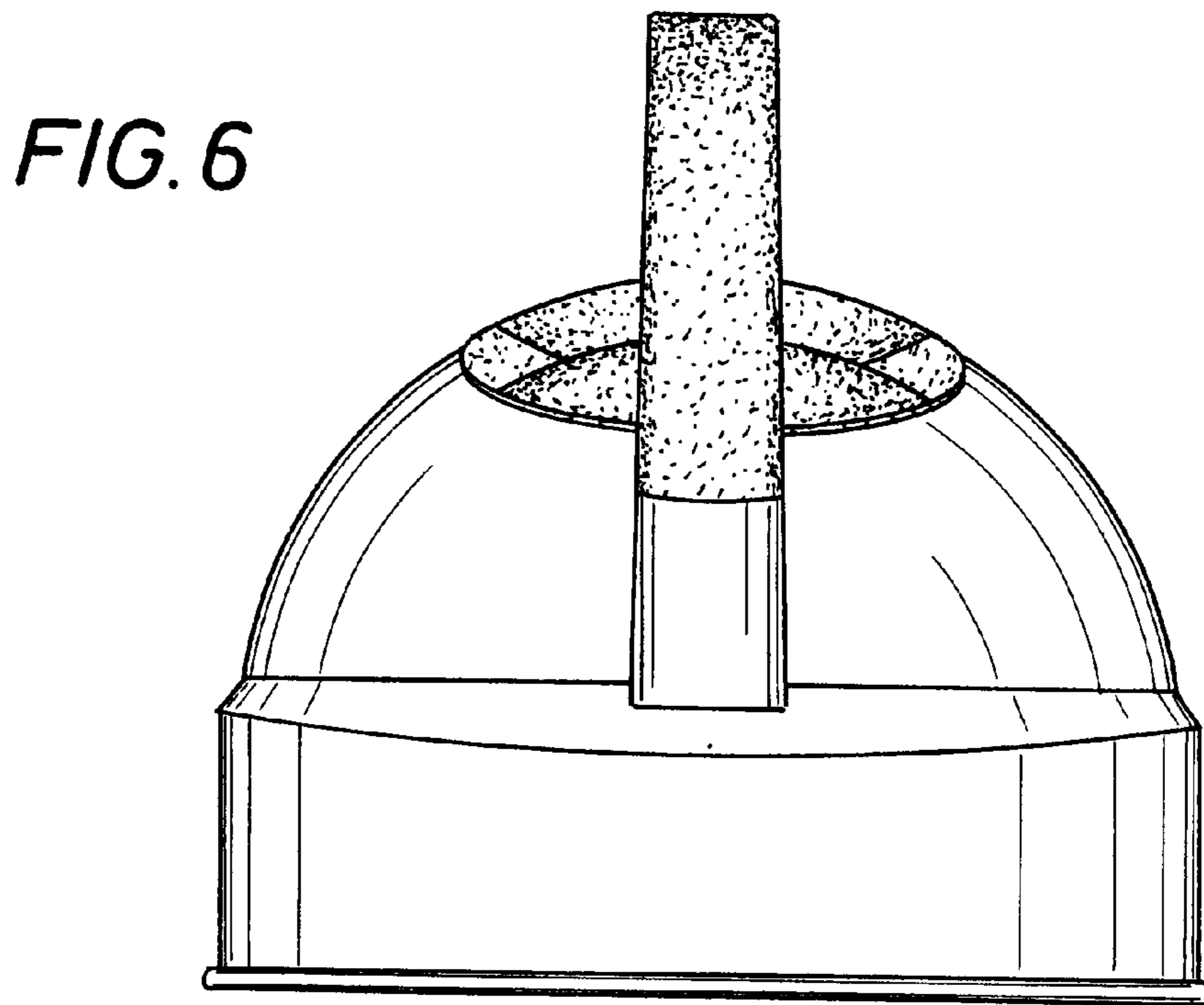


FIG. 6