



US00D483597S

(12) **United States Design Patent**
Hassett

(10) **Patent No.:** **US D483,597 S**

(45) **Date of Patent:** **** Dec. 16, 2003**

(54) **COMPACT DISC STORAGE CASE**

(75) Inventor: **Eric S. Hassett**, Golden, CO (US)

(73) Assignee: **Case Logic, Inc.**, Longmont, CO (US)

(**) Term: **14 Years**

(21) Appl. No.: **29/161,039**

(22) Filed: **May 20, 2002**

(51) **LOC (7) Cl.** **06-04**

(52) **U.S. Cl.** **D6/629; D6/407; D14/417**

(58) **Field of Search** D3/201, 215, 217,
D3/218, 226, 238, 247, 254, 257, 270,
272, 273, 276, 295, 303, 307; D6/407,
408, 475, 626-635; D9/337, 424, 445,
454; 206/18, 307, 307.1, 308.1, 308.2,
308.3, 309-310, 311, 312, 313, 445, 749;
312/902, 9.9, 9.48, 9.55, 9.64, 9.47, 9.53,
328; 379/355; 383/18

(56) **References Cited**

U.S. PATENT DOCUMENTS

4,907,634 A	*	3/1990	Yoo	150/135
5,165,544 A	*	11/1992	Gusenoff et al.	206/308.3
5,423,363 A	*	6/1995	Matzdorff et al.	150/143
D362,159 S	*	9/1995	Singh	D6/629
D369,777 S	*	5/1996	Singh et al.	D12/417
D381,947 S	*	8/1997	Bergh et al.	D12/191
D391,919 S	*	3/1998	Brassard	D12/417
D393,947 S	*	5/1998	Alves et al.	D3/303
5,762,246 A	*	6/1998	Drew	224/312
D415,731 S	*	10/1999	Bergh	D12/417
6,024,400 A	*	2/2000	Donoughe et al.	296/97.5
D432,490 S	*	10/2000	Golenz	D12/417
D436,916 S	*	1/2001	Eskandry	D12/417
D453,728 S	*	2/2002	Hassett	D12/417
D472,512 S	*	4/2003	Palmer	D12/417
D474,732 S	*	5/2003	Hillman	D12/417

OTHER PUBLICATIONS

Case Logic 2002 Product Catalog, "What's Inside Survives"
pp. 8 and 36.
Case Logic Spring 2000 Product Catalog, pp. 18 and 19.

Case Logic 2001 Essential Equipment Product Catalog, p. 20.
Case Logic 2000 Essential Equipment Product Catalog, p. 17.
Case Logic 1999 Product Catalog p. 35.
1999 CdProjects Catalog p. 12.
1998 BMI Case It Catalog, page entitled "Nylon Cassette Cases".
1997 Case Logic Audio Catalog, p. 4.
2001 Case It Catalog, front cover and p. 9.
Fellowes Home & Office Solutions, p. 116.

(List continued on next page.)

Primary Examiner—Celia Murphy

(74) *Attorney, Agent, or Firm*—Sheridan Ross P.C.

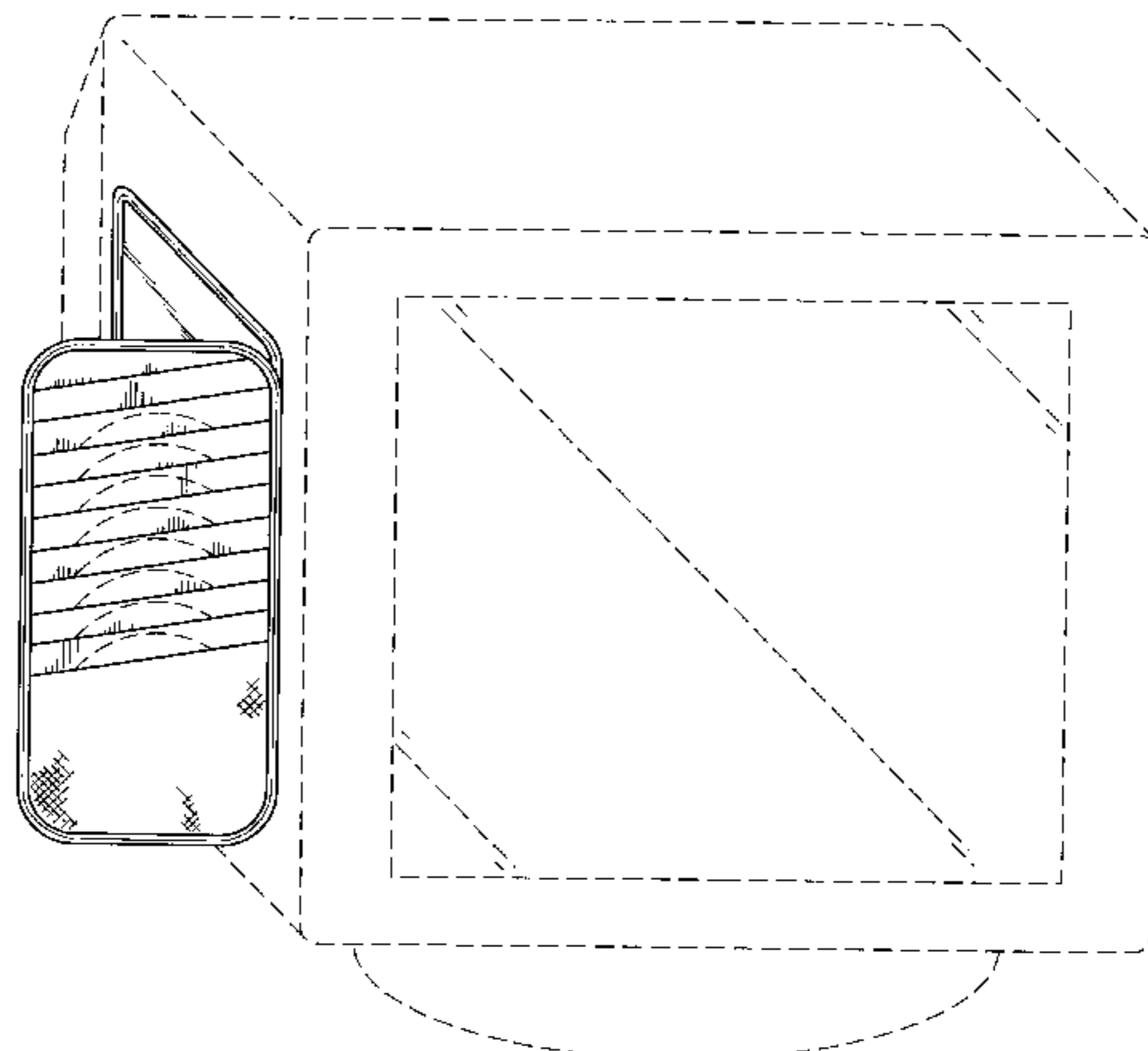
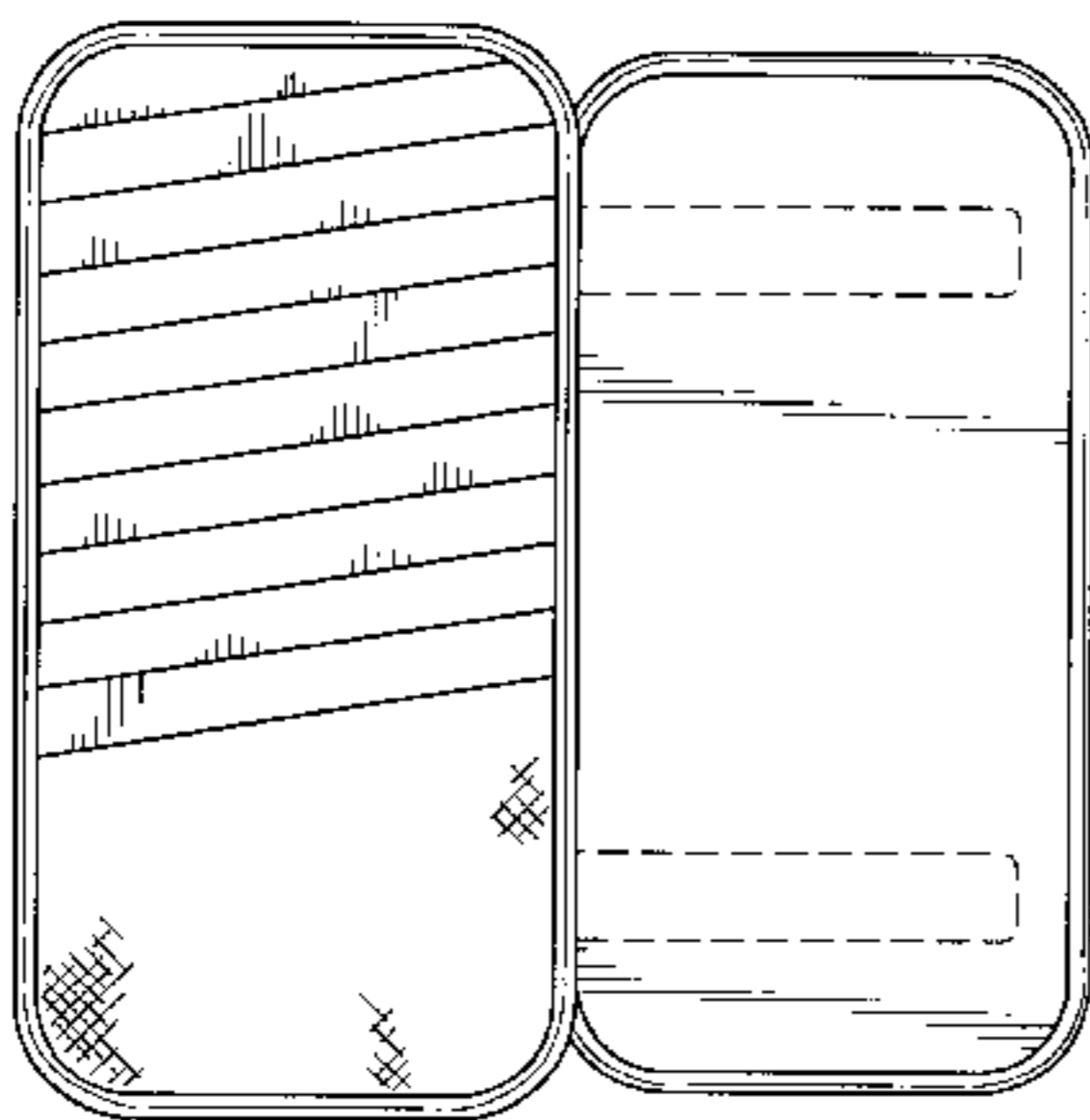
(57) **CLAIM**

The ornamental design for a compact disc storage case, as shown and described.

DESCRIPTION

FIG. 1 is a front perspective view of a compact disc storage case showing my new design in a partially open position; FIG. 2 is a front elevational view of the invention illustrated in FIG. 1, the broken lines representing environment and forming no part of the claimed design; FIG. 3 is a top plan view of the invention illustrated in FIG. 1; FIG. 4 is a bottom plan view of the invention illustrated in FIG. 1; FIG. 5 is a left side elevational view of the invention illustrated in FIG. 1; FIG. 6 is a right side elevational view of the invention illustrated in FIG. 1; FIG. 7 is a rear elevational view of the invention illustrated in FIG. 1, the broken lines representing environment and forming no part of the claimed design; and, FIG. 8 is a front perspective view of the invention illustrated in FIG. 1 shown selectively interconnected to a computer monitor, the broken lines representing environment and forming no part of the claimed design.

1 Claim, 4 Drawing Sheets



OTHER PUBLICATIONS

CdProjects Millenimum² Catalog, p. 19.

Ember Auto Interior Accessories, EM-660, Visor CD Organizer.

Scosche Car Stereo Accessory Retail Merchandise Program, p. 11.

CarGear Catalog, Fleece CD Visor Wallet, CD Visor Wallet.

Axius Organizers, CD Visor Organizer.

Axius Looney Tunes CD Visor Organizer, No. 50899.

Axius CD Visor Organizer.

On the Road Visor CD Organizer.

* cited by examiner

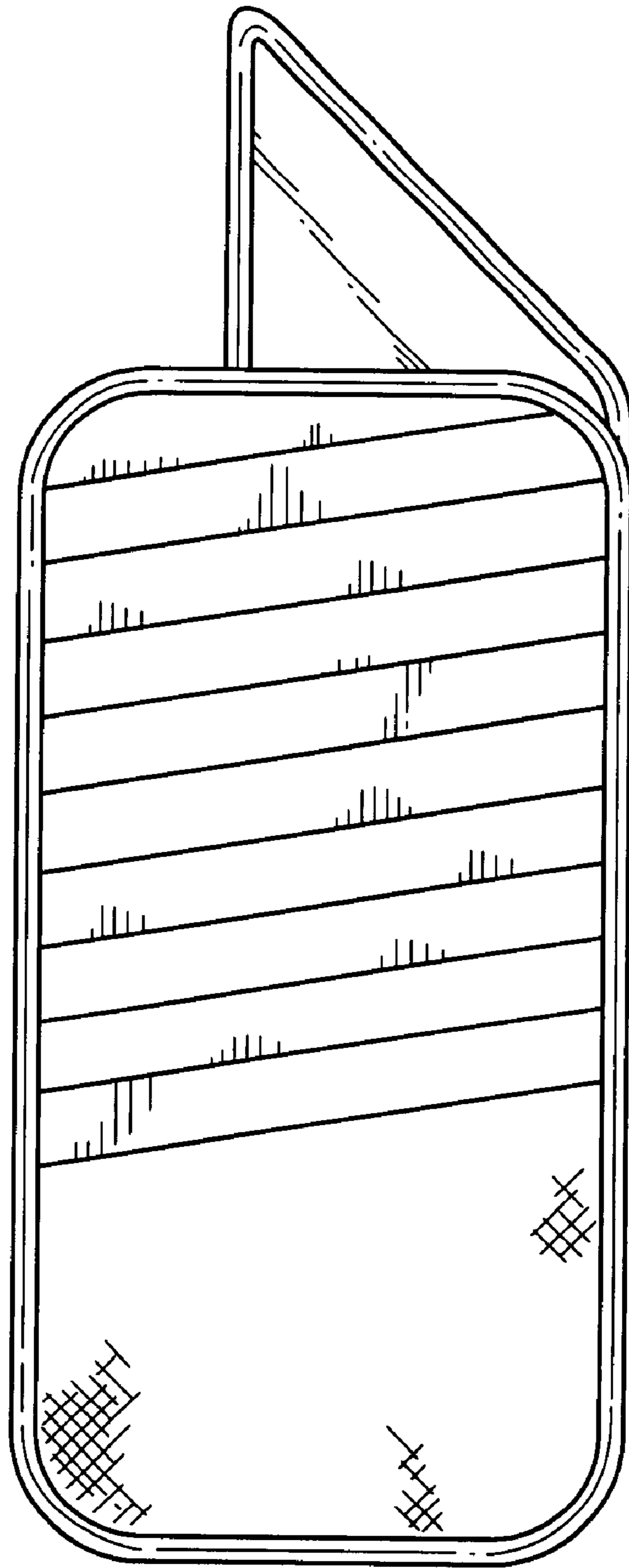


FIG. 1



FIG.3



FIG.5

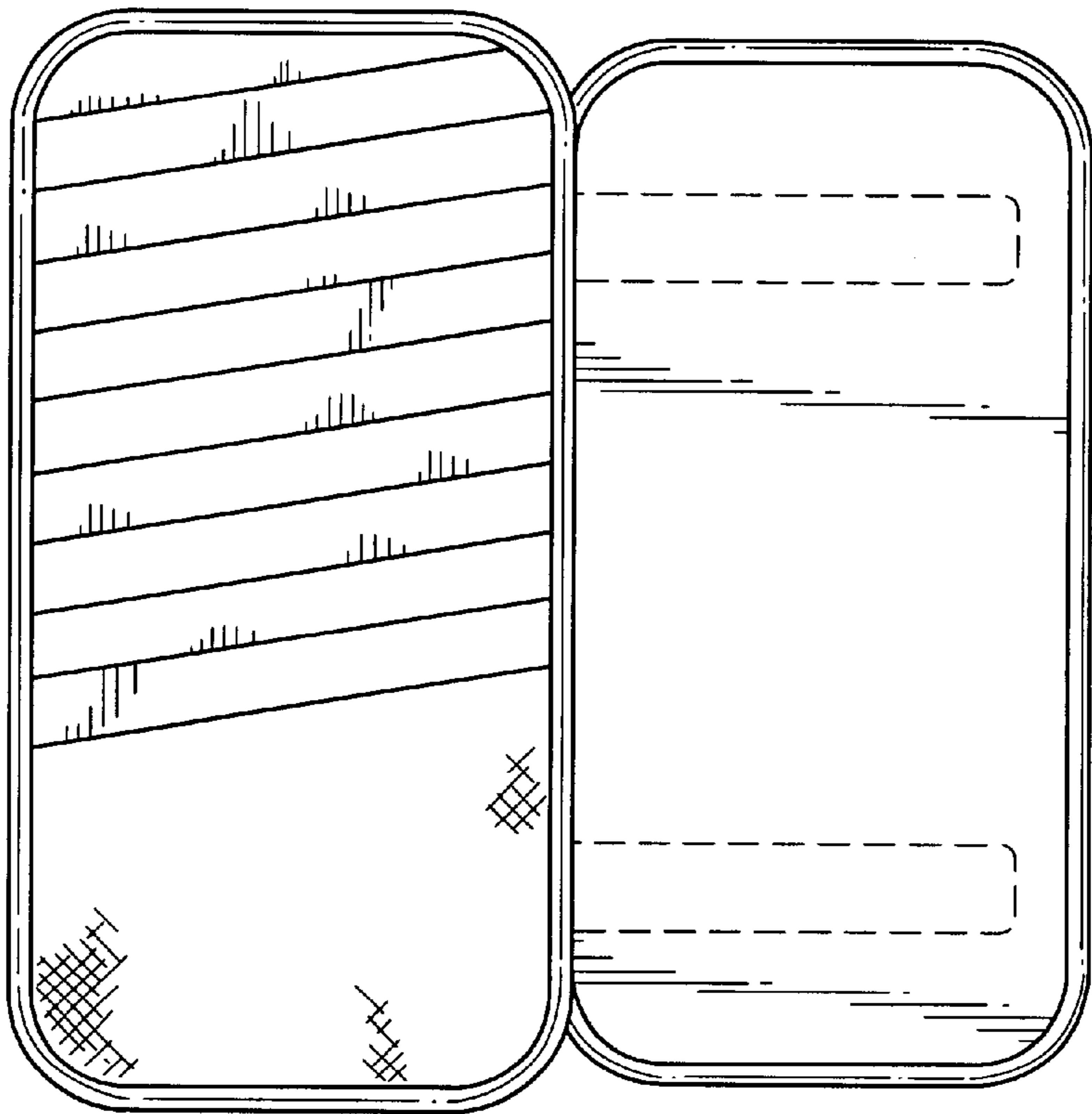


FIG.2



FIG.6



FIG.4

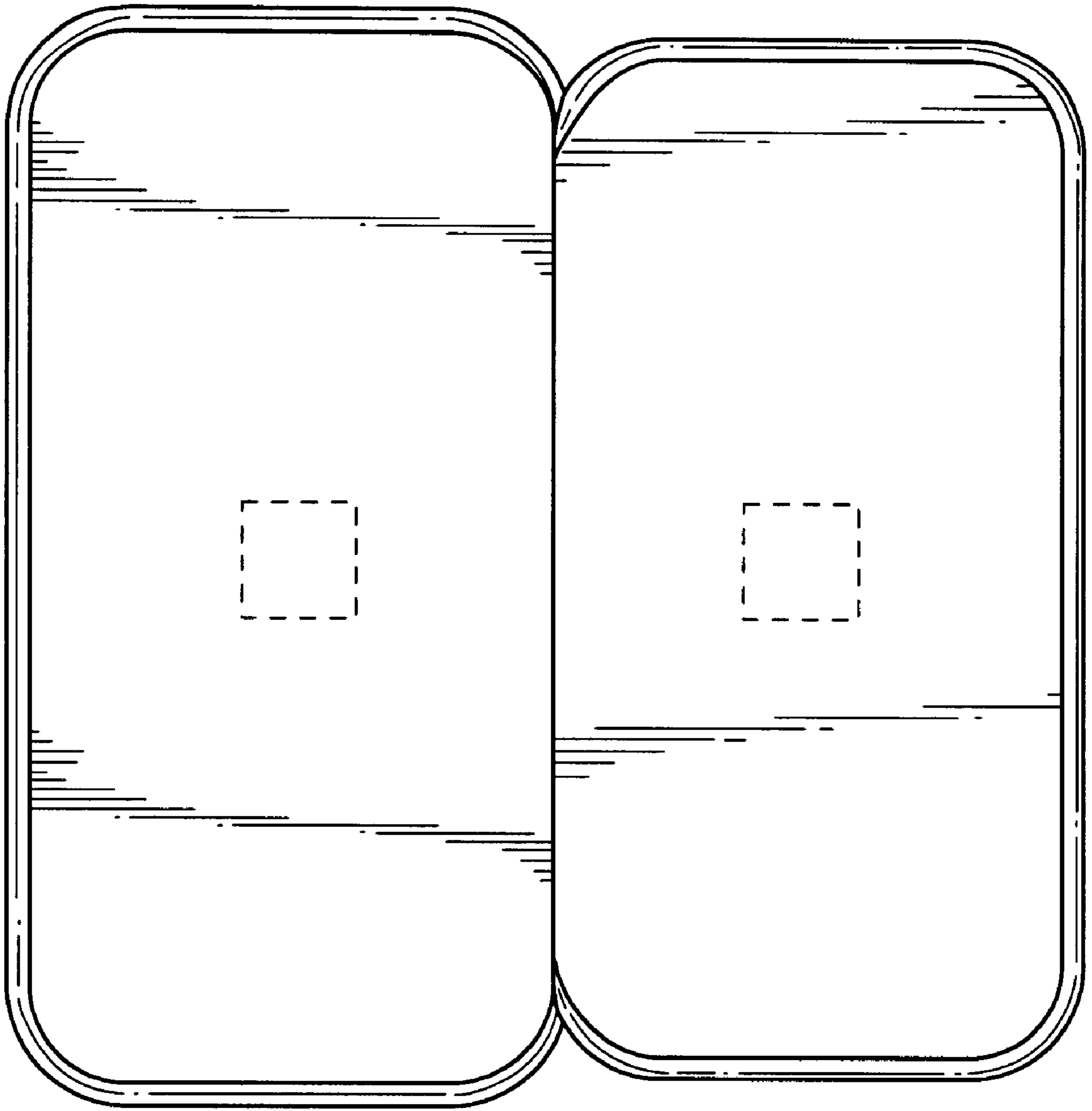


FIG.7

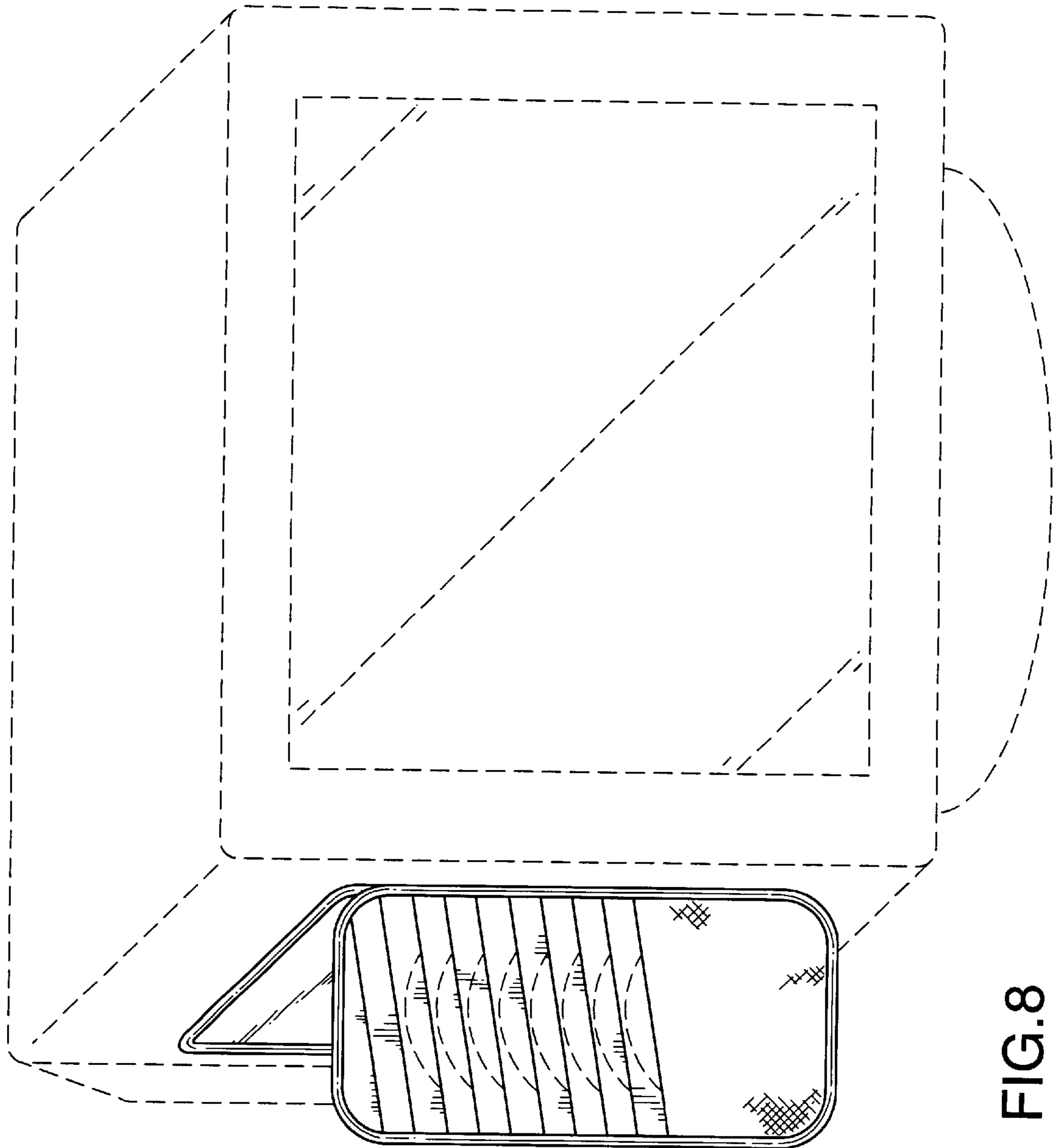


FIG.8