



US00D483593S

(12) **United States Design Patent**
Knapp

(10) **Patent No.:** **US D483,593 S**

(45) **Date of Patent:** **** Dec. 16, 2003**

(54) **WALL MOUNTED KEY HANGER**

D416,423 S * 11/1999 Green D6/572

(75) Inventor: **David Knapp**, Toronto (CA)

* cited by examiner

(73) Assignee: **Nystrom Group Inc.**, Toronto (CA)

Primary Examiner—Brian N. Vinson

(**) Term: **14 Years**

(57) **CLAIM**

(21) Appl. No.: **29/183,486**

The ornamental design for a wall mounted key hanger, as shown and described.

(22) Filed: **Jun. 13, 2003**

DESCRIPTION

(51) **LOC (7) Cl.** **06-04**

(52) **U.S. Cl.** **D6/572**

(58) **Field of Search** D6/553, 567, 572;
D8/367, 372; 211/13.1, 85.9, 59.1; 248/302,
304, 309.1, 309.2

FIG. 1 is a front perspective view of the wall mounted key hanger to which the design is applied;

FIG. 2 is a front view of the wall mounted key hanger of FIG. 1;

FIGS. 3 through 5 are top, rear and bottom views respectively of the wall mounted key hanger of FIG. 1; and,

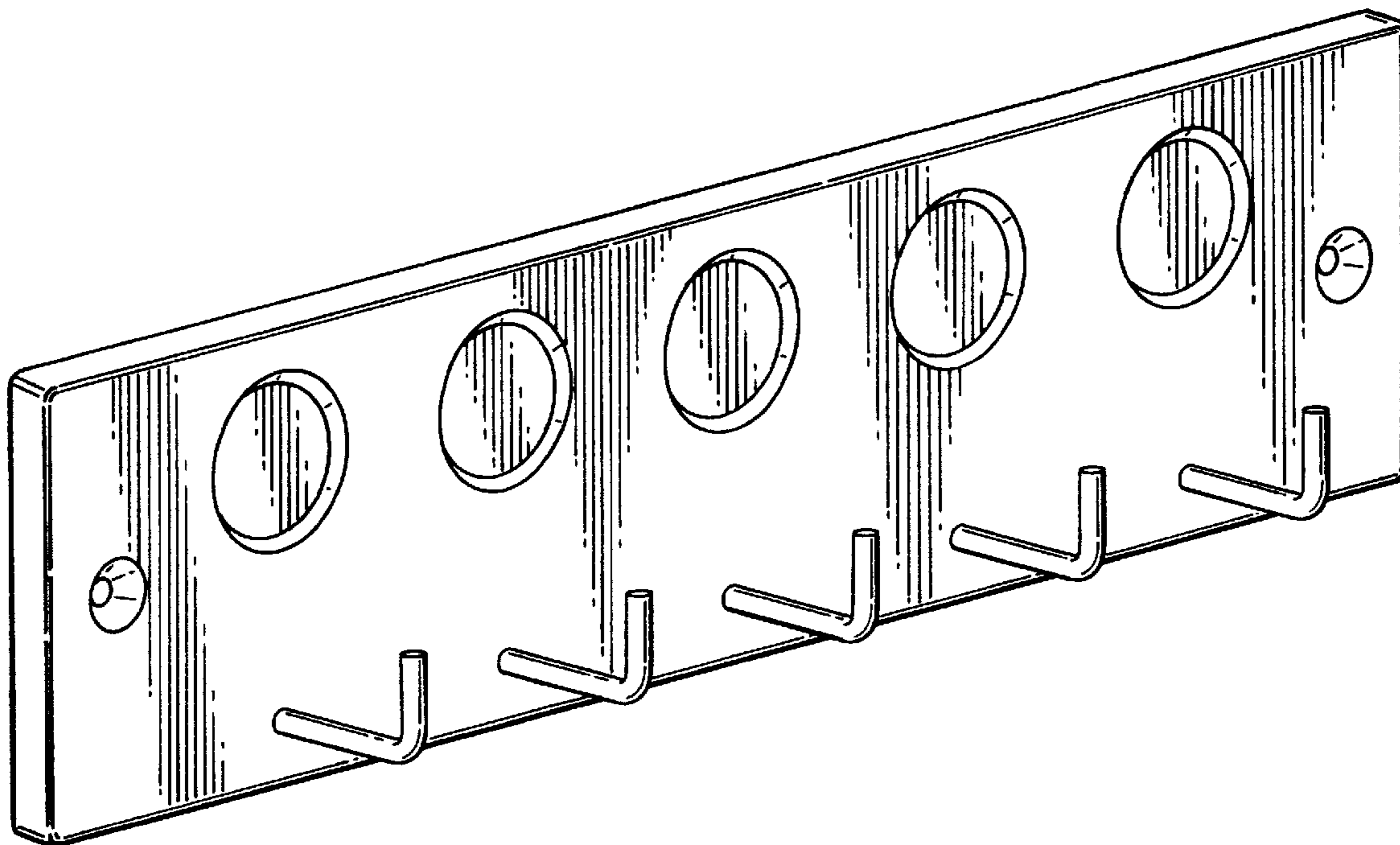
FIGS. 6 and 7 are right and left end views respectively of the wall mounted key hanger of FIG. 1.

(56) **References Cited**

U.S. PATENT DOCUMENTS

4,834,248 A * 5/1989 Lee 248/302 X
D331,855 S * 12/1992 Kaplan D6/553 X

1 Claim, 2 Drawing Sheets



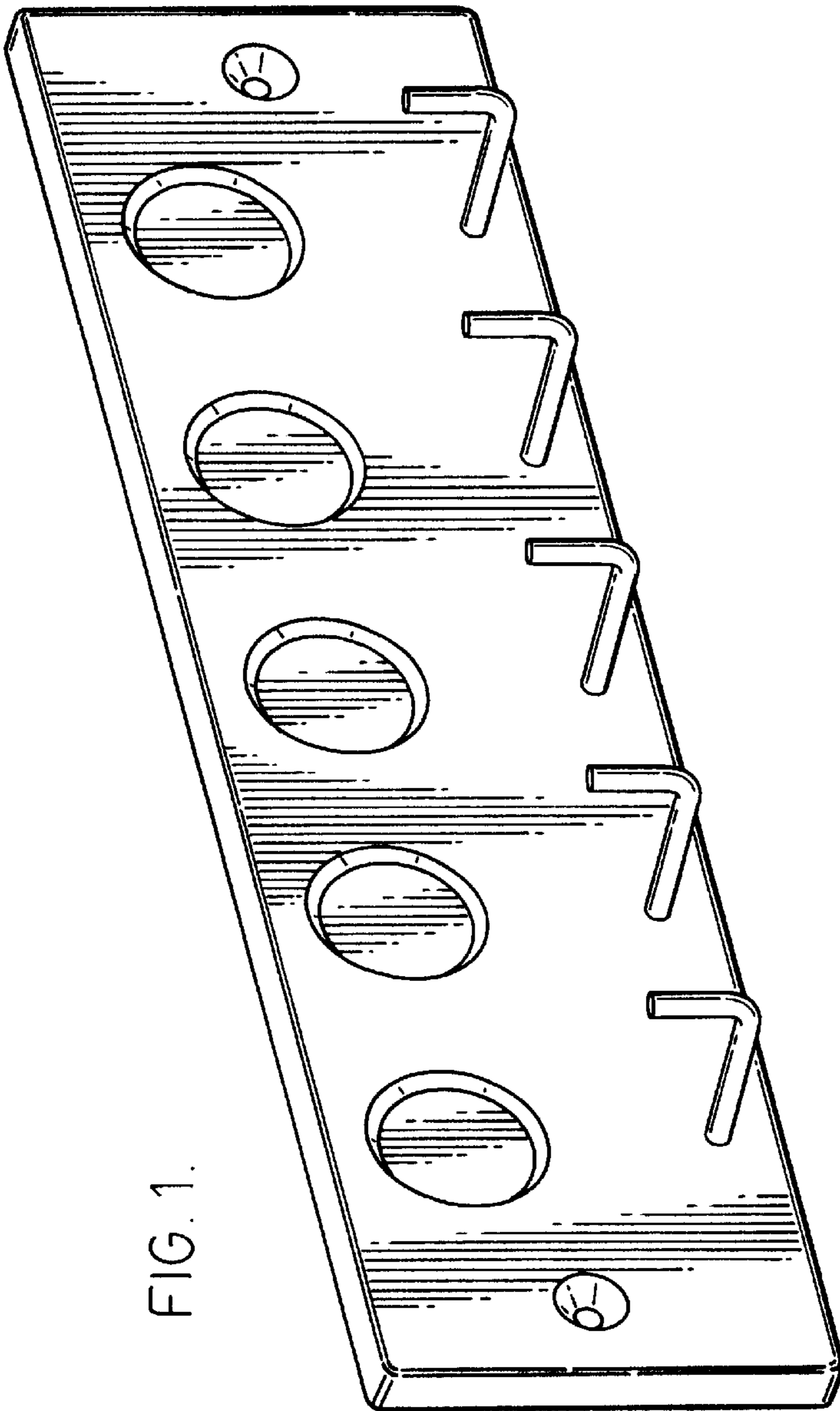
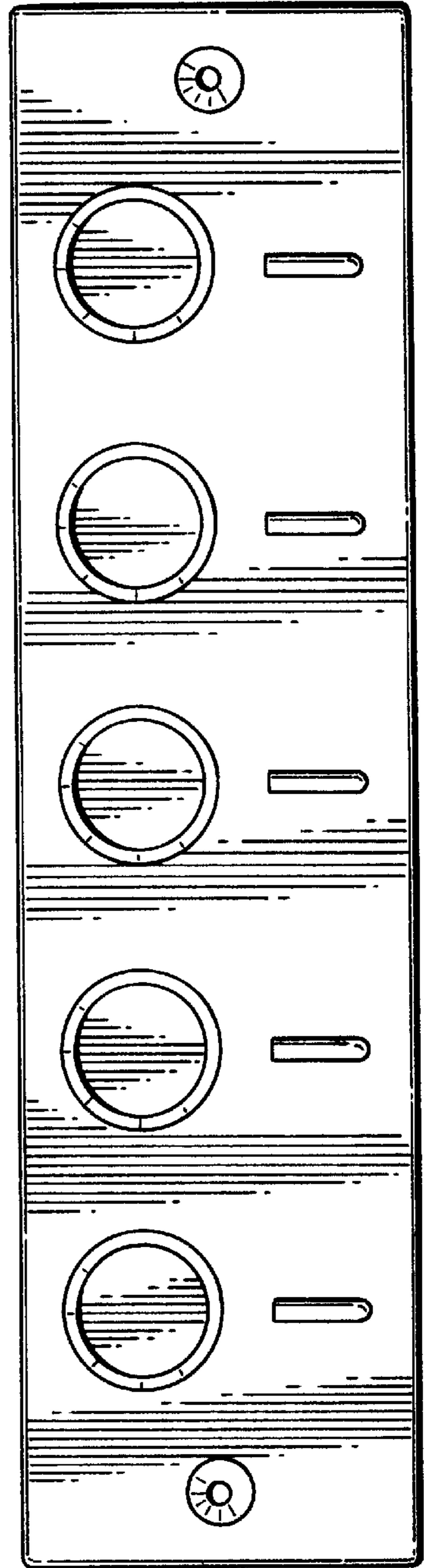


FIG. 2.



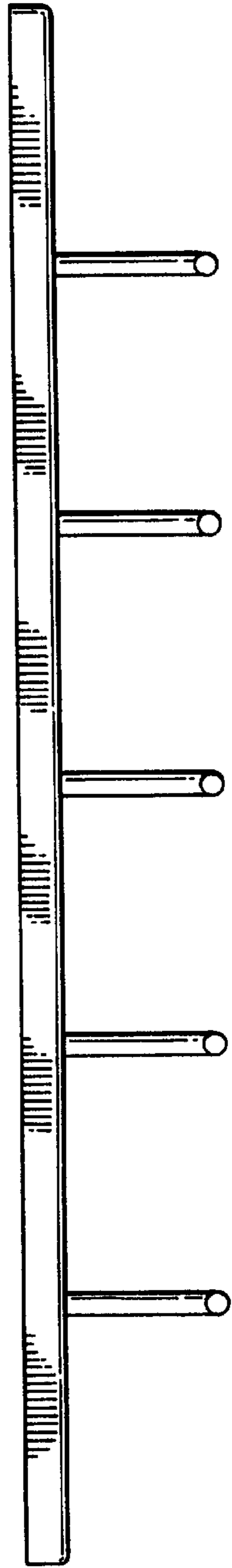


FIG. 3.

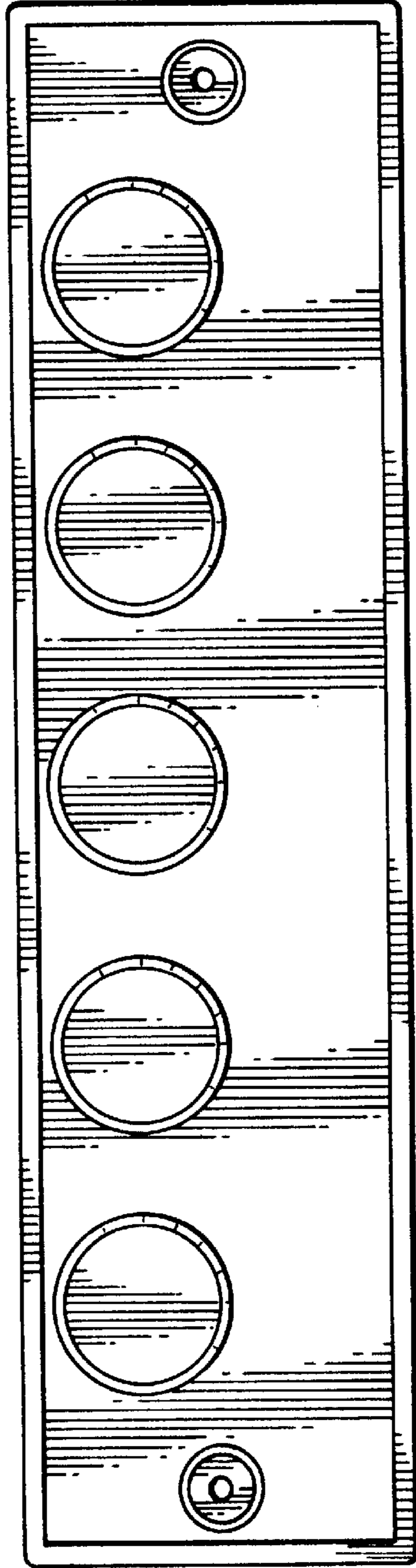


FIG. 4.

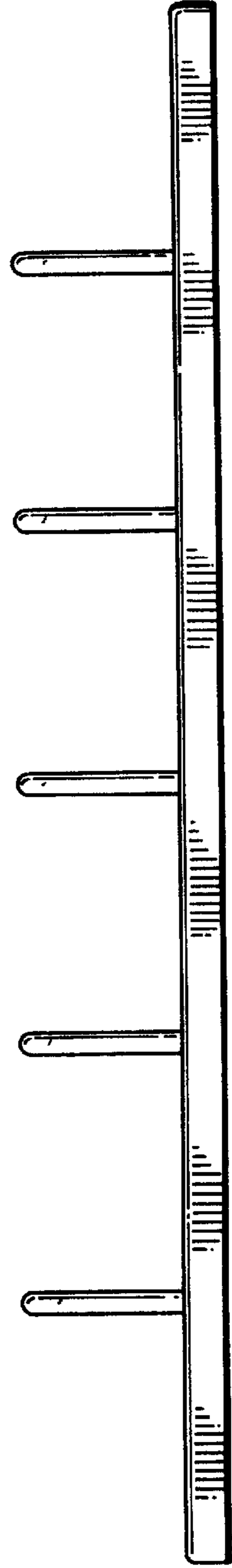


FIG. 5.

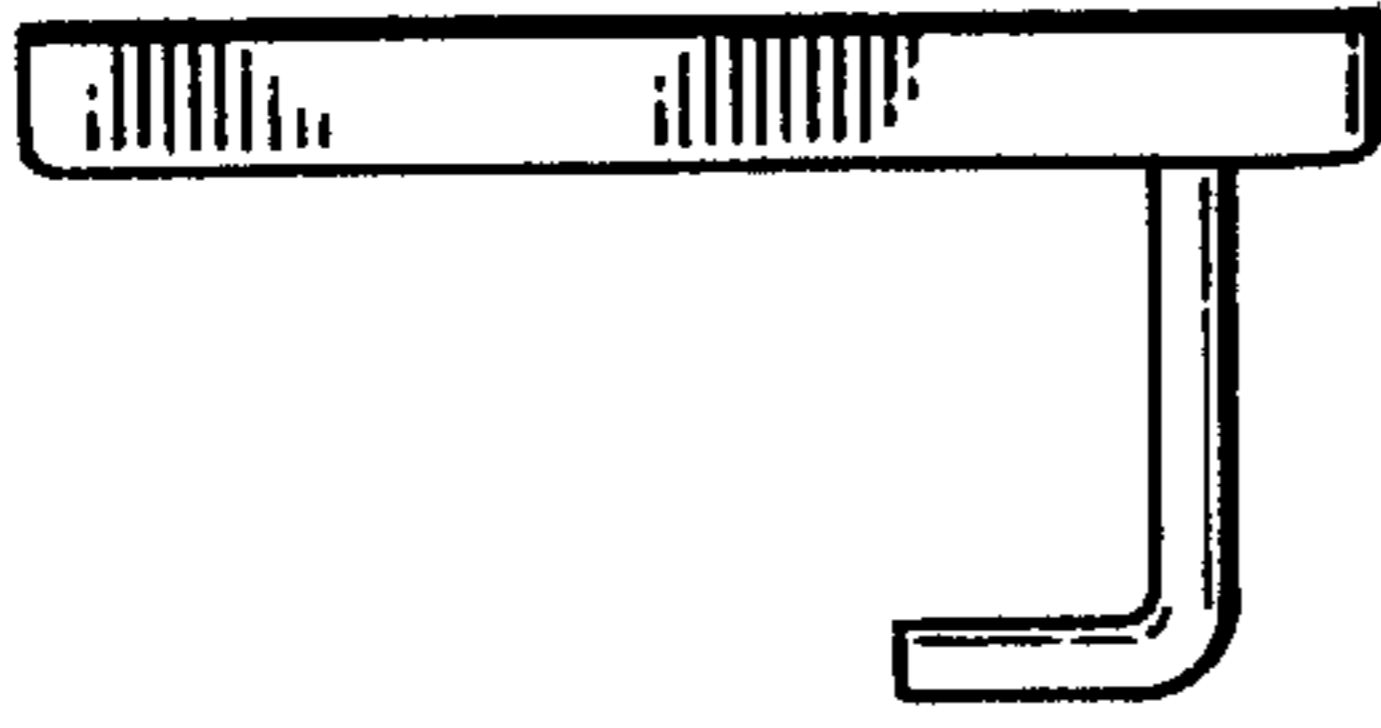


FIG. 6.

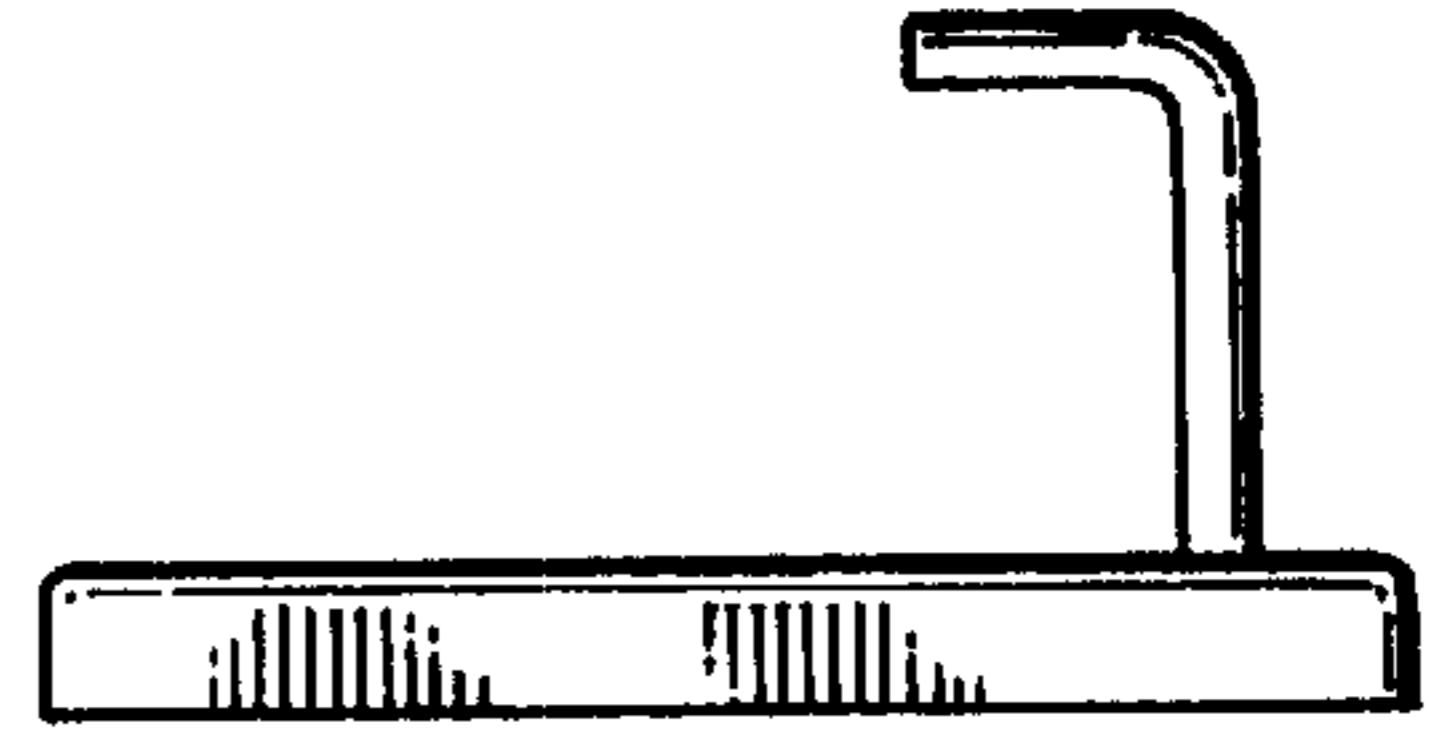


FIG. 7.