



US00D483592S

(12) **United States Design Patent**
Spanski et al.

(10) **Patent No.: US D483,592 S**

(45) **Date of Patent: ** Dec. 16, 2003**

(54) **HIGH-VISIBILITY DISPLAY RACK**

(75) Inventors: **Jeffrey Lee Spanski**, Grayslake, IL (US); **Kristen Leanne Bohlin**, Evanston, IL (US)

(73) Assignee: **American Tool Companies, Inc.**, Vernon Hills, IL (US)

(**) Term: **14 Years**

(21) Appl. No.: **29/167,752**

(22) Filed: **Sep. 19, 2002**

4,776,470 A	10/1988	Chap	
5,220,744 A	6/1993	Kendall	
D352,848 S	11/1994	Dardashti	
5,388,709 A	2/1995	Adams	
D371,458 S	* 7/1996	Valls et al.	D6/566 X
5,624,040 A	4/1997	Hono	
5,626,318 A	5/1997	Boettger et al.	
5,836,460 A	* 11/1998	Brown et al.	211/74
5,839,589 A	* 11/1998	Hillard	211/70.6
5,842,581 A	12/1998	Graefe	
6,006,929 A	12/1999	Leonard	
D418,349 S	* 1/2000	Schumacher	D6/566
6,234,330 B1	5/2001	Gway	

* cited by examiner

Related U.S. Application Data

(63) Continuation of application No. 09/637,398, filed on Aug. 11, 2000.

(51) **LOC (7) Cl. 06-04**

(52) **U.S. Cl. D6/566**

(58) **Field of Search** D6/512-514, 556; 211/13.1, 70.6, 71.01, 74, 75, 86.01, 89.01, 90.03, 106, 181.1

Primary Examiner—Brian N. Vinson

(74) *Attorney, Agent, or Firm*—Brinks Hofer Gilson & Lione

(57) **CLAIM**

The ornamental design for a high-visibility display rack, as shown and described.

DESCRIPTION

FIG. 1 is a front perspective view of an embodiment of the high-visibility display rack

FIG. 2 is a front elevation view of the high-visibility display rack of FIG. 1;

FIG. 3 is a side elevation view of the high-visibility display rack of FIG. 1, both sides being identical;

FIG. 4 is a rear elevation view of the high-visibility display rack of FIG. 1;

FIG. 5 is a top plan view of the high-visibility display rack of FIG. 1;

FIG. 6 is a bottom plan view of the high-visibility display rack of FIG. 1;

FIG. 7 is a front perspective view of the high-visibility display rack of FIG. 1, mounted to a support; and,

FIG. 8 is a side elevation view of the high-visibility display rack of FIG. 7, mounted to a support.

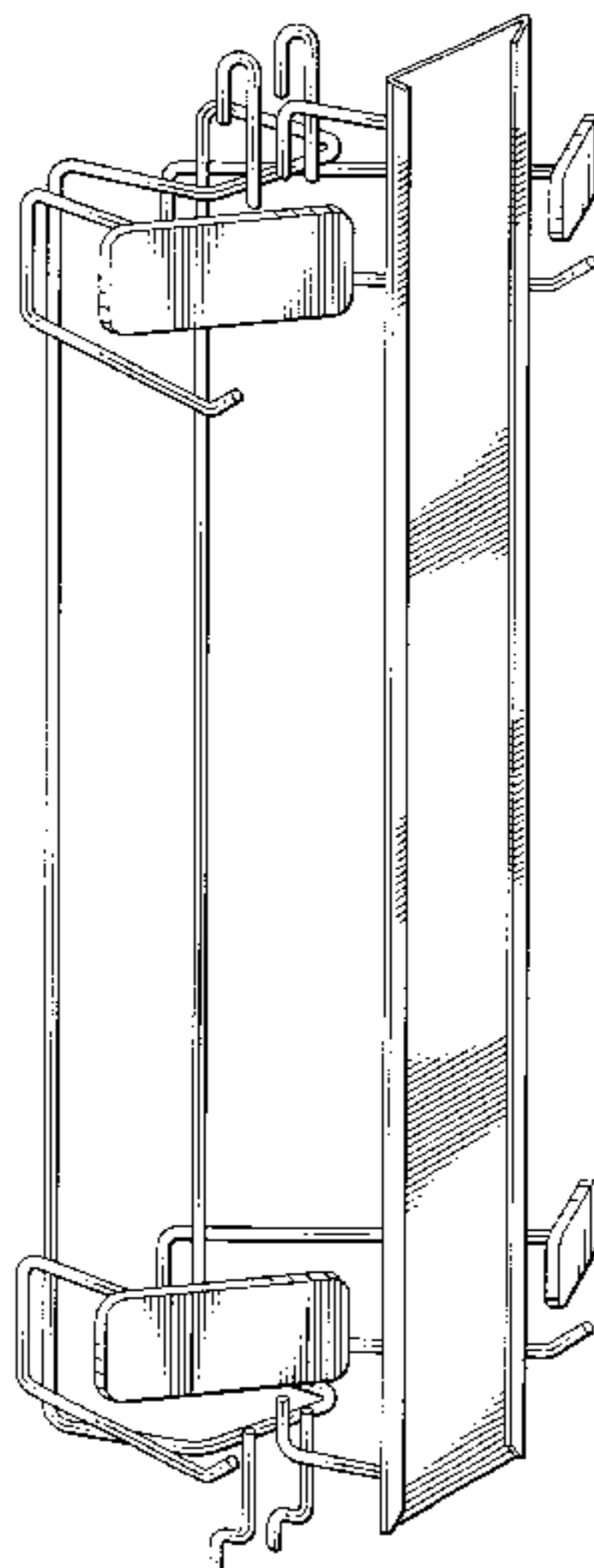
The dotted lines indicate components for illustrative purposes only and form no part of the subject design relative to the particular embodiment shown.

(56) **References Cited**

U.S. PATENT DOCUMENTS

772,558 A	10/1904	Duff
D161,477 S	1/1951	Lieber et al.
2,692,053 A	10/1954	Calhoun et al.
2,744,634 A	5/1956	Conley, Jr.
2,868,385 A	1/1959	Dreyfus, Jr.
2,961,787 A	11/1960	Kies
3,153,526 A	10/1964	Pawsey
3,203,553 A	8/1965	Pendergrast, Jr. et al.
3,265,246 A	8/1966	Messenger
3,306,688 A	2/1967	Di Domenico
3,404,927 A	10/1968	Mellion
3,484,069 A	12/1969	Larson
3,662,898 A	5/1972	Baxendale
3,967,346 A	7/1976	Young, Jr.
4,015,809 A	4/1977	Buril
4,015,885 A	4/1977	Baggaley
4,027,799 A	6/1977	Stacker
4,343,405 A	8/1982	Virte et al.
4,742,923 A	5/1988	Calvert

1 Claim, 7 Drawing Sheets



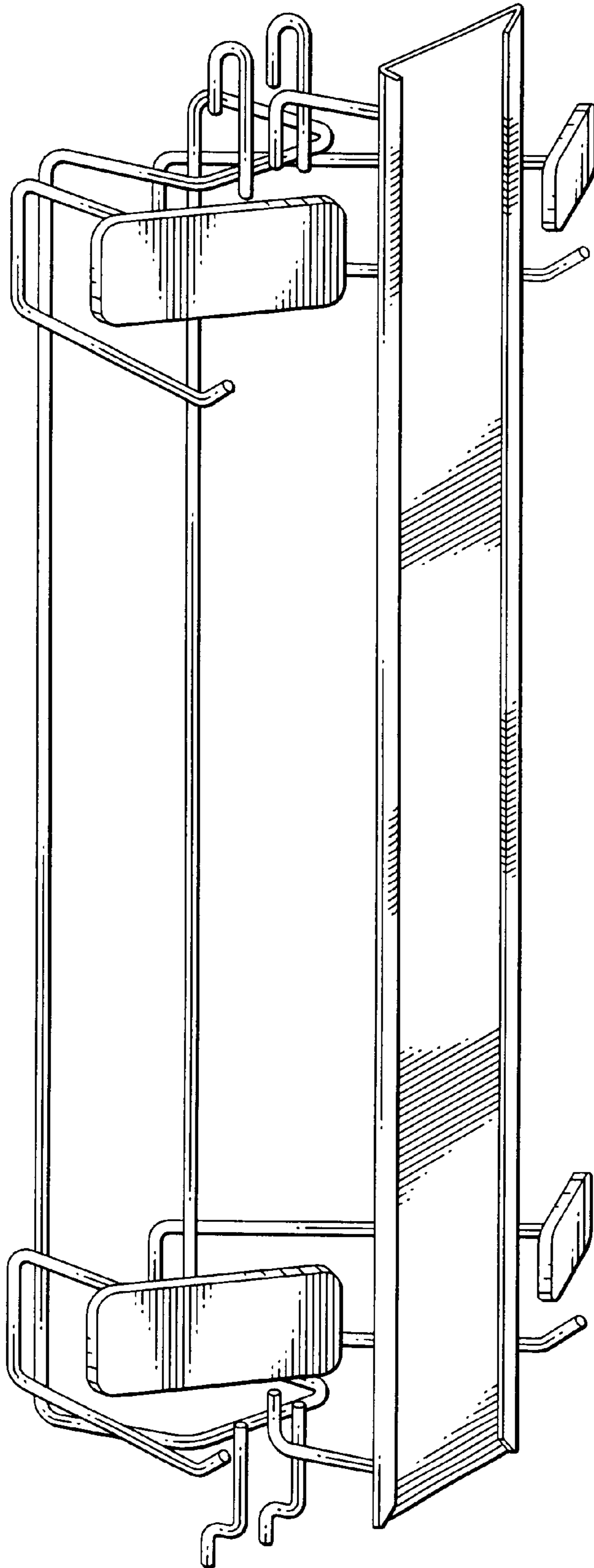


FIG. 1

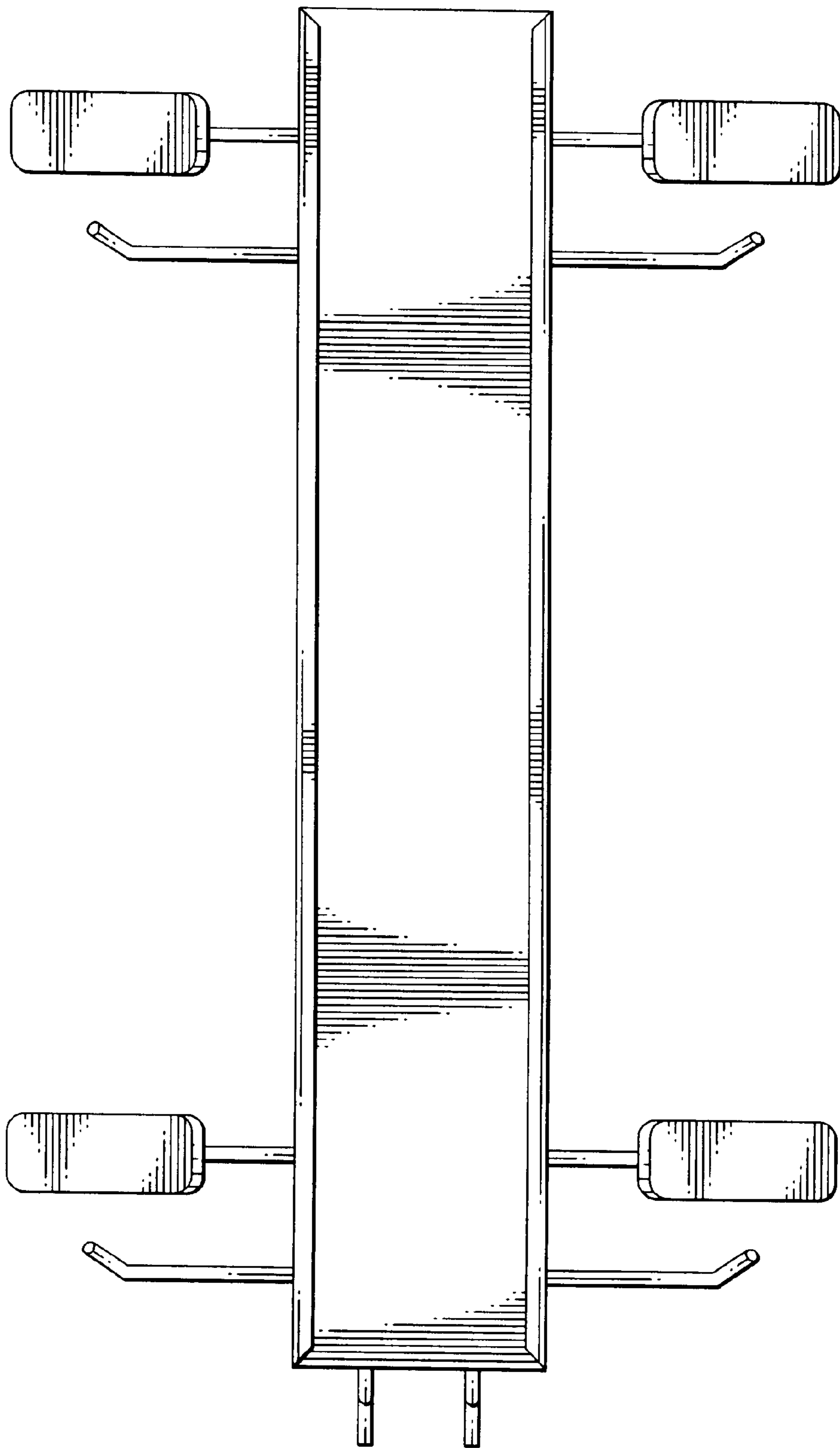


FIG. 2

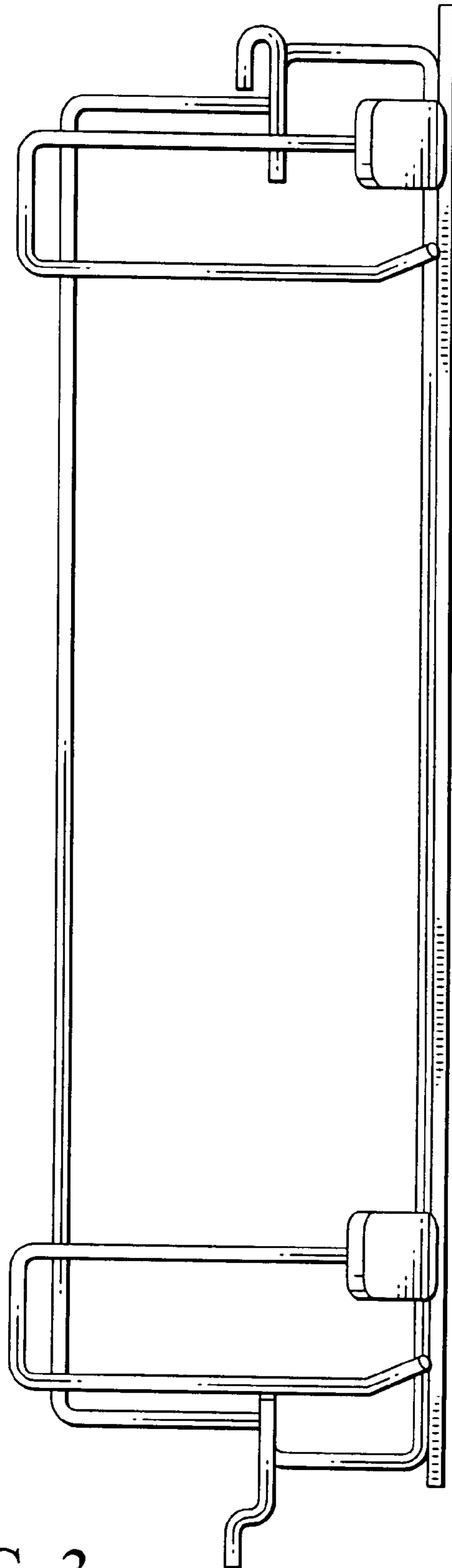


FIG. 3

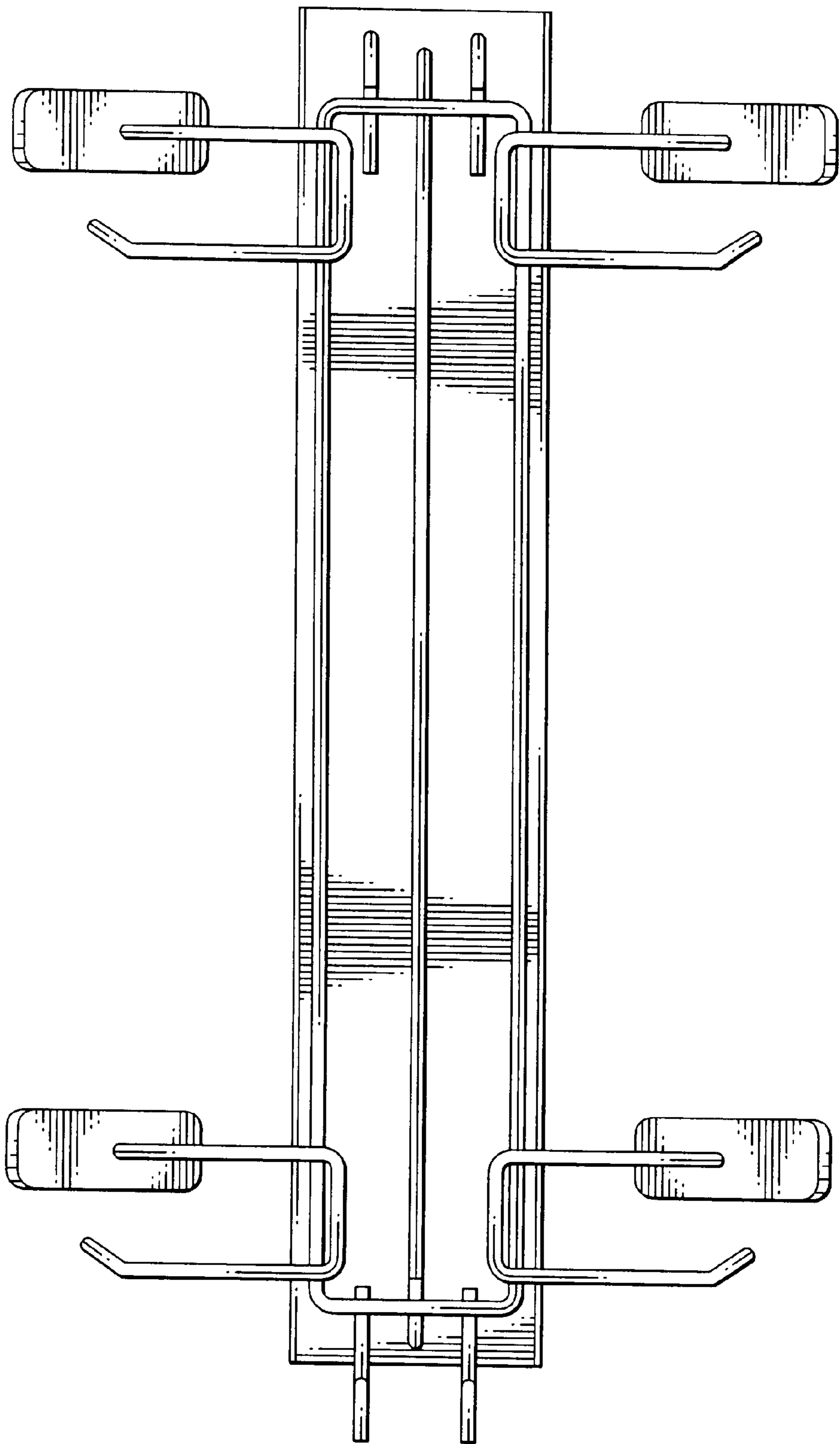


FIG. 4

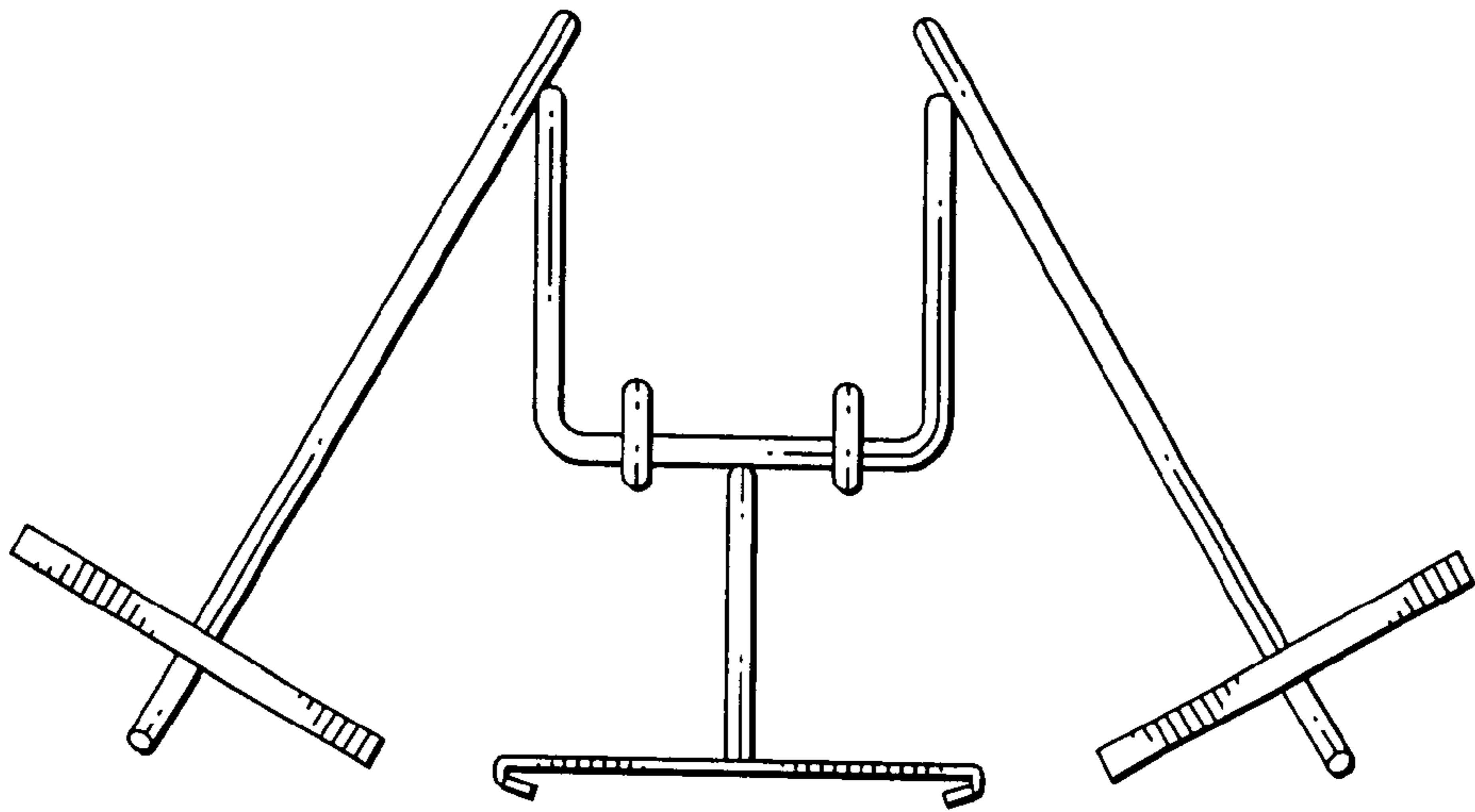


FIG. 5

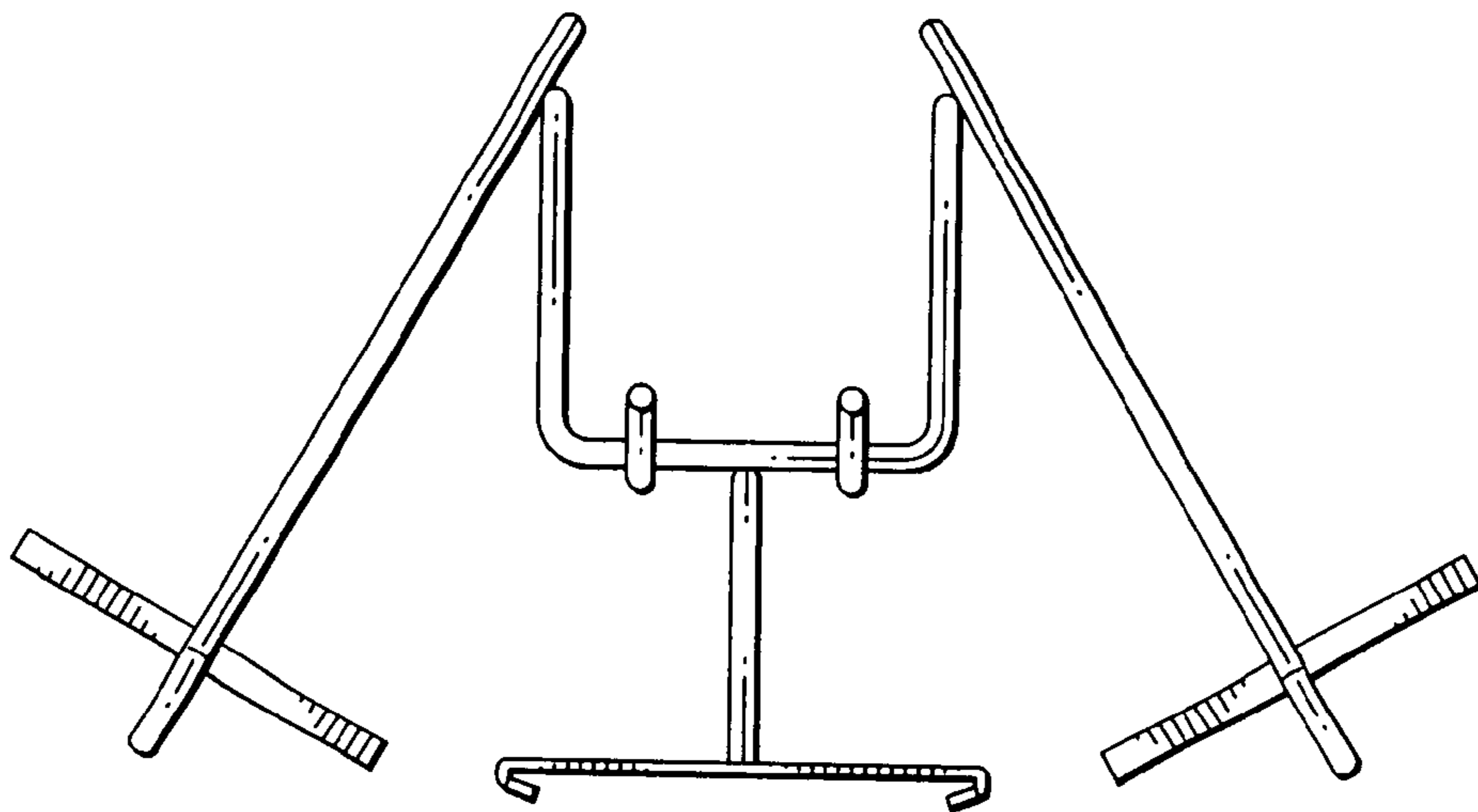


FIG. 6

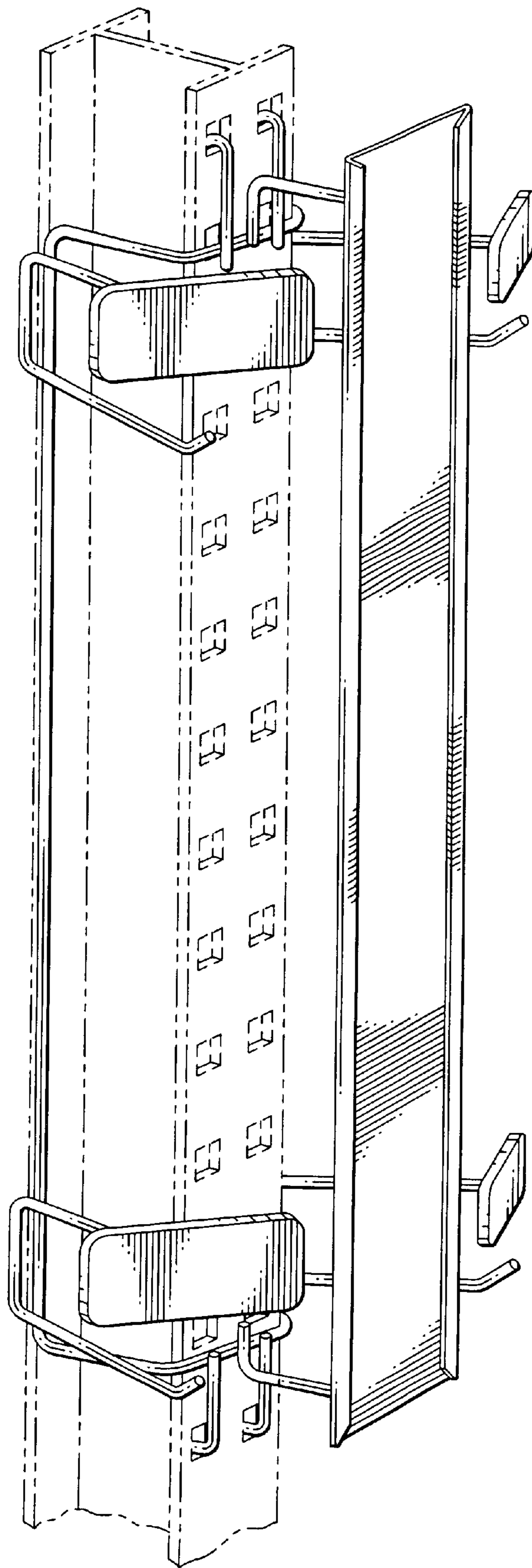


FIG. 7

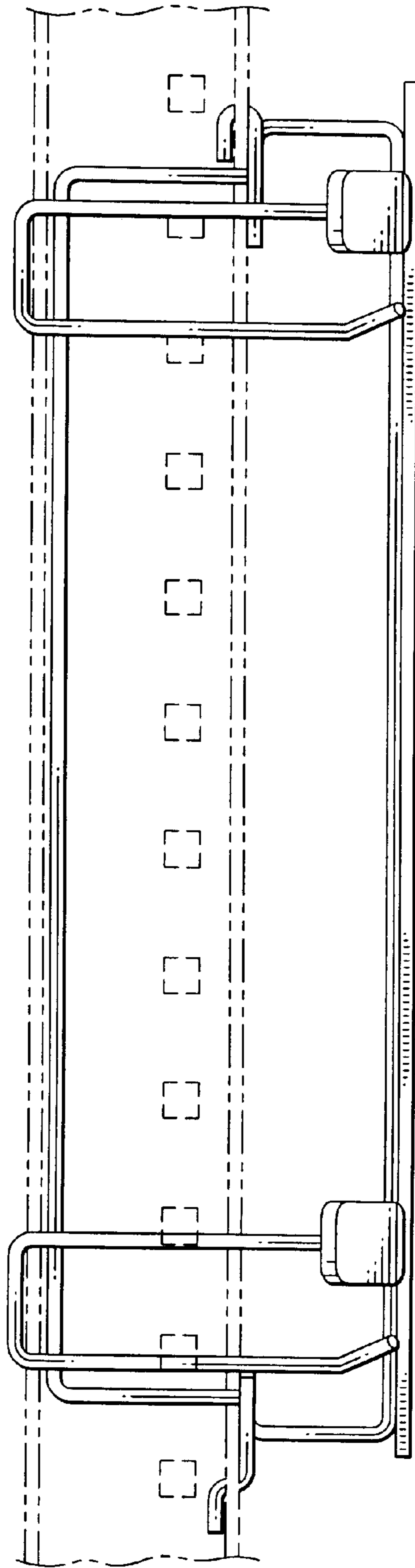


FIG. 8