



US00D483591S

(12) **United States Design Patent**
Dretzka

(10) **Patent No.:** **US D483,591 S**

(45) **Date of Patent:** **** Dec. 16, 2003**

(54) **BOWL BRUSH BASE**

D467,112 S * 12/2002 Lin D6/551

(75) Inventor: **Philip C. Dretzka**, Cleveland Heights, OH (US)

* cited by examiner

Primary Examiner—Brian N. Vinson

(73) Assignee: **InterDesign, Inc.**, Solon, OH (US)

(74) *Attorney, Agent, or Firm*—D. Peter Hochberg; Katherine R. Vieyra; Sean Mellino

(**) Term: **14 Years**

(57) **CLAIM**

(21) Appl. No.: **29/179,969**

The ornamental design for a bowl brush base, as shown and described.

(22) Filed: **Apr. 17, 2003**

DESCRIPTION

(51) **LOC (7) Cl.** **06-04**

FIG. 1 is a perspective view of a brush base embodying this invention, with a phantom view of a brush handle extending from the base;

(52) **U.S. Cl.** **D6/551**

(58) **Field of Search** D6/551, 524, 525; 206/389, 394; 211/62.1, 65, 69.1; 4/255.05

FIG. 2 is a front view of the brush base shown in FIG. 1, with a phantom view of the brush handle extending from the base; FIG. 3 is a top view of the brush base shown in FIG. 1, with a phantom view of the top of the brush handle within the base; and,

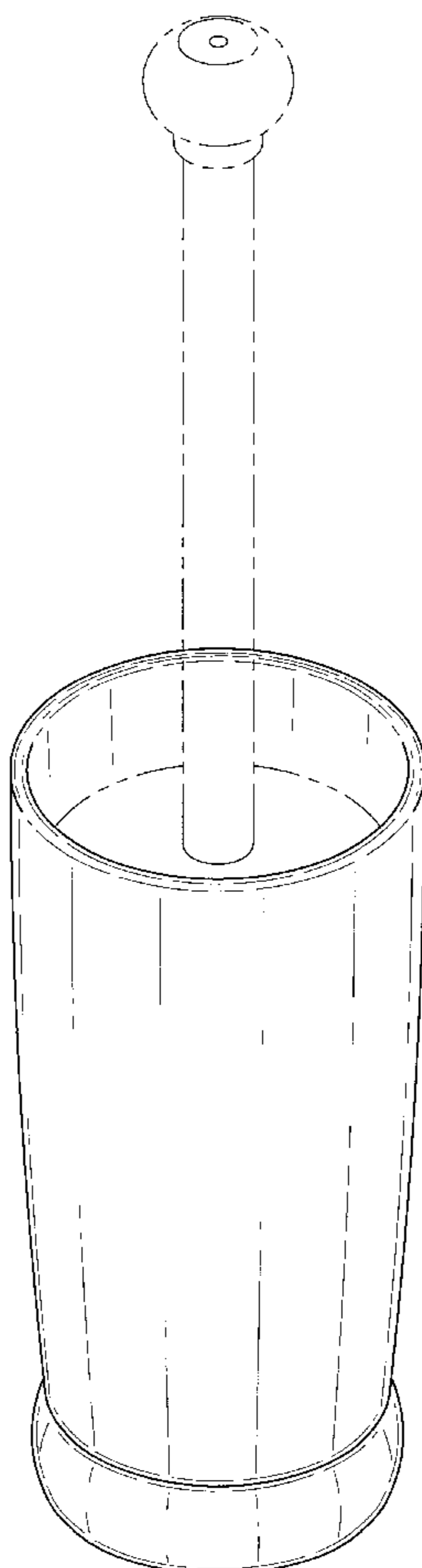
(56) **References Cited**

U.S. PATENT DOCUMENTS

- D329,775 S * 9/1992 Murphy D6/551
- D407,933 S * 4/1999 Douglas D6/551
- D424,306 S * 5/2000 Strum et al. D6/551 X
- D453,888 S * 2/2002 Gottwald D6/551
- D458,068 S * 6/2002 Hillman D6/551
- D465,957 S * 11/2002 Driscoll et al. D6/551

FIG. 4 is a bottom view of the brush base shown in FIG. 1. The broken-line disclosure of the top of the brush handle in the views is for illustrative purposes only and forms no part of the claimed design.

1 Claim, 2 Drawing Sheets



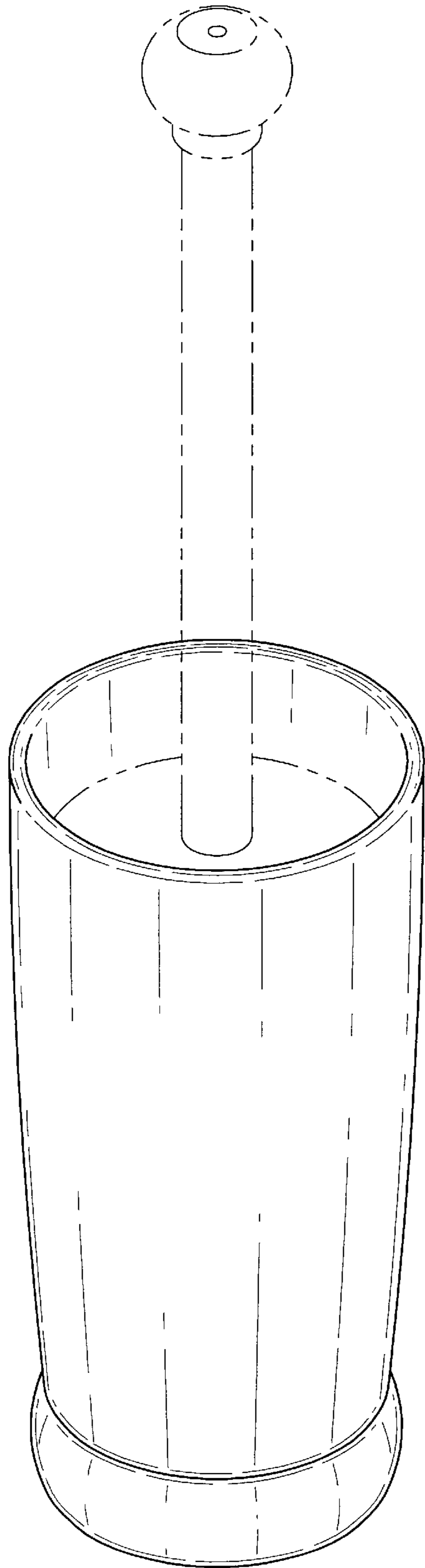


FIG-1

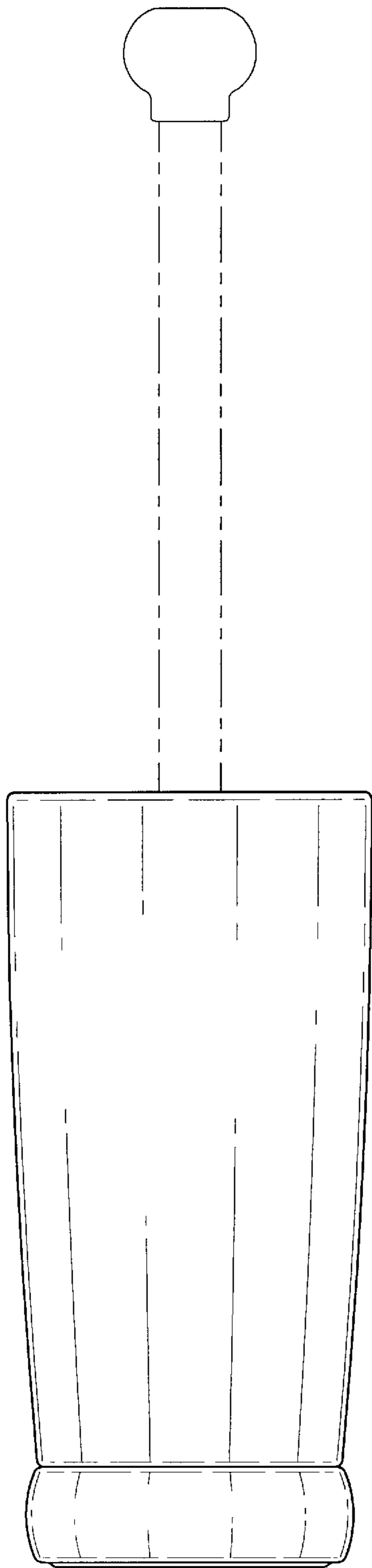


FIG-2

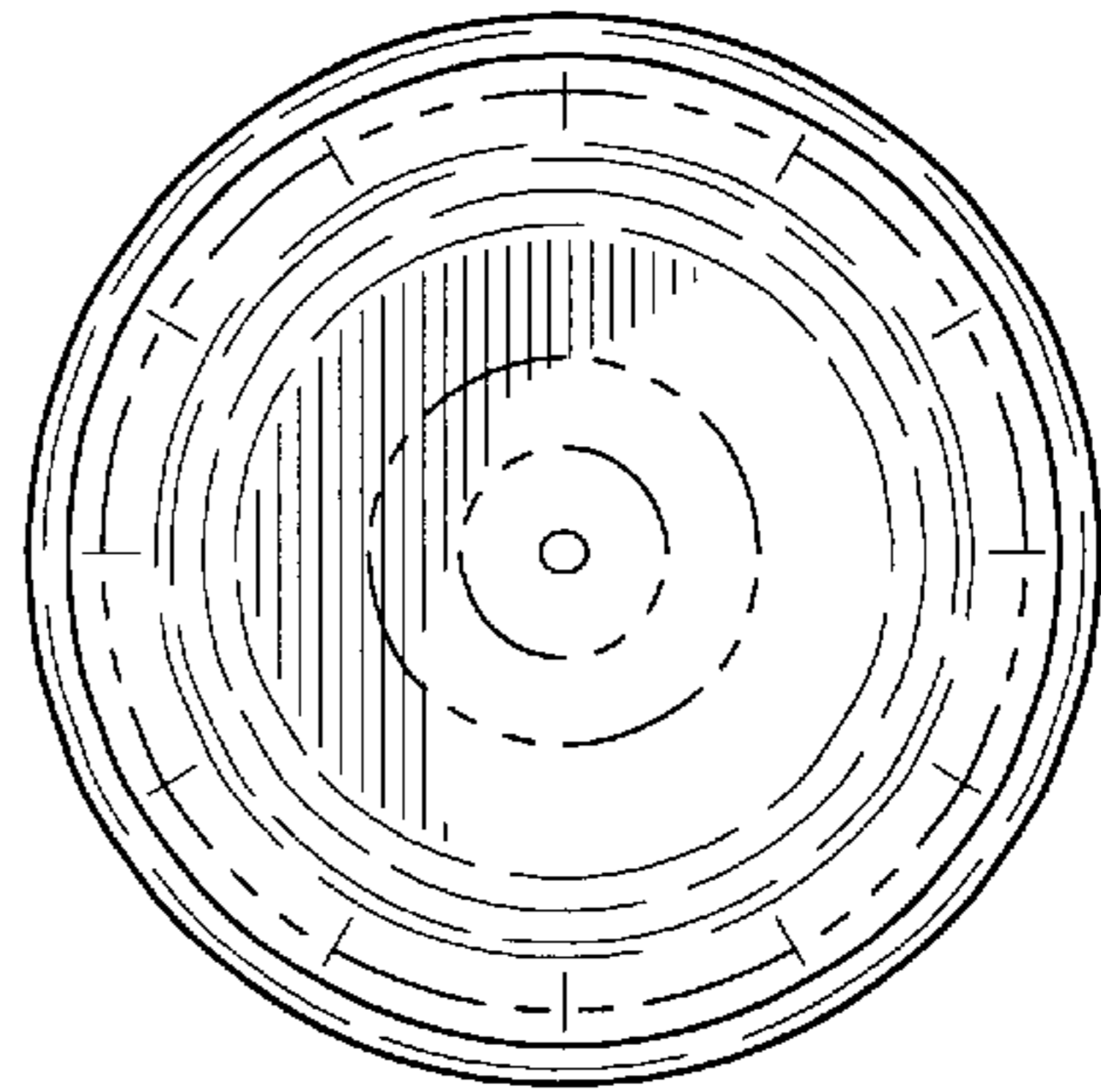


FIG-3

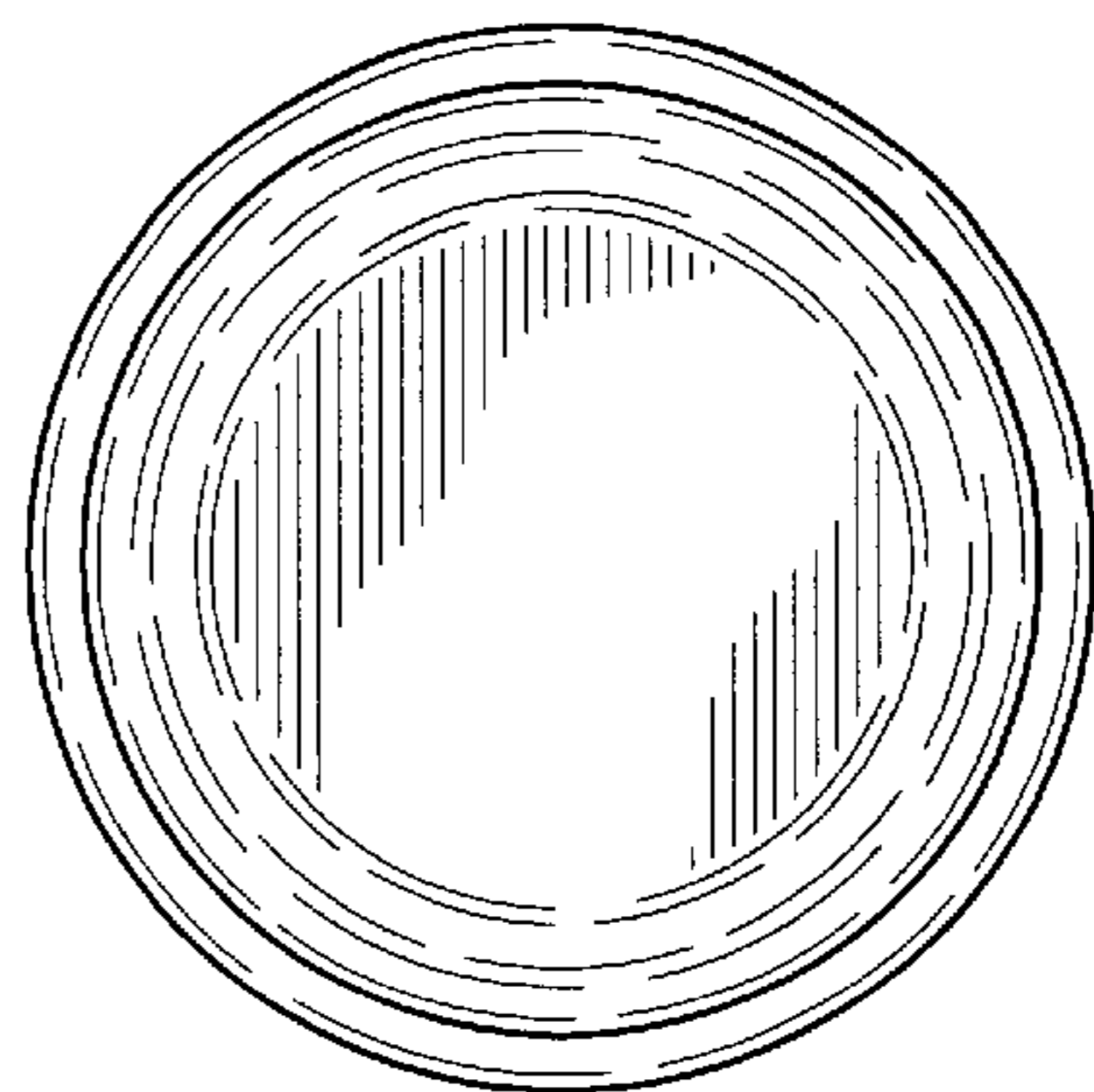


FIG-4