



US00D483590S

(12) **United States Design Patent**
Dretzka

(10) **Patent No.:** **US D483,590 S**

(45) **Date of Patent:** **** Dec. 16, 2003**

(54) **BOWL BRUSH BASE**

D472,427 S 4/2003 Dretzka

(75) Inventor: **Philip C. Dretzka**, Cleveland Heights, OH (US)

* cited by examiner

(73) Assignee: **InterDesign, Inc.**, Solon, OH (US)

Primary Examiner—Brian N. Vinson
(74) *Attorney, Agent, or Firm*—D. Peter Hochberg; Katherine R. Vieyra; Sean Mellino

(**) Term: **14 Years**

(57) **CLAIM**

(21) Appl. No.: **29/175,982**

The ornamental design for a bowl brush base, as shown and described.

(22) Filed: **Feb. 14, 2003**

(51) **LOC (7) Cl.** **06-04**

(52) **U.S. Cl.** **D6/551**

(58) **Field of Search** D6/524, 551; 206/207, 206/209, 209.1, 349, 361, 362.2, 362.3, 15.1, 15.3; 312/206; 248/309.1

DESCRIPTION

(56) **References Cited**

U.S. PATENT DOCUMENTS

D329,775 S	*	9/1992	Murphy	D6/551
D393,167 S	*	4/1998	Bussa	D6/527
D407,933 S	*	4/1999	Douglas	D6/551
D453,888 S	*	2/2002	Gottwald	D6/551
D458,068 S	*	6/2002	Hillman	D6/551
D465,957 S	*	11/2002	Driscoll et al.	D6/551
D467,112 S	*	12/2002	Lin	D6/551
D467,457 S	*	12/2002	Lin	D6/551

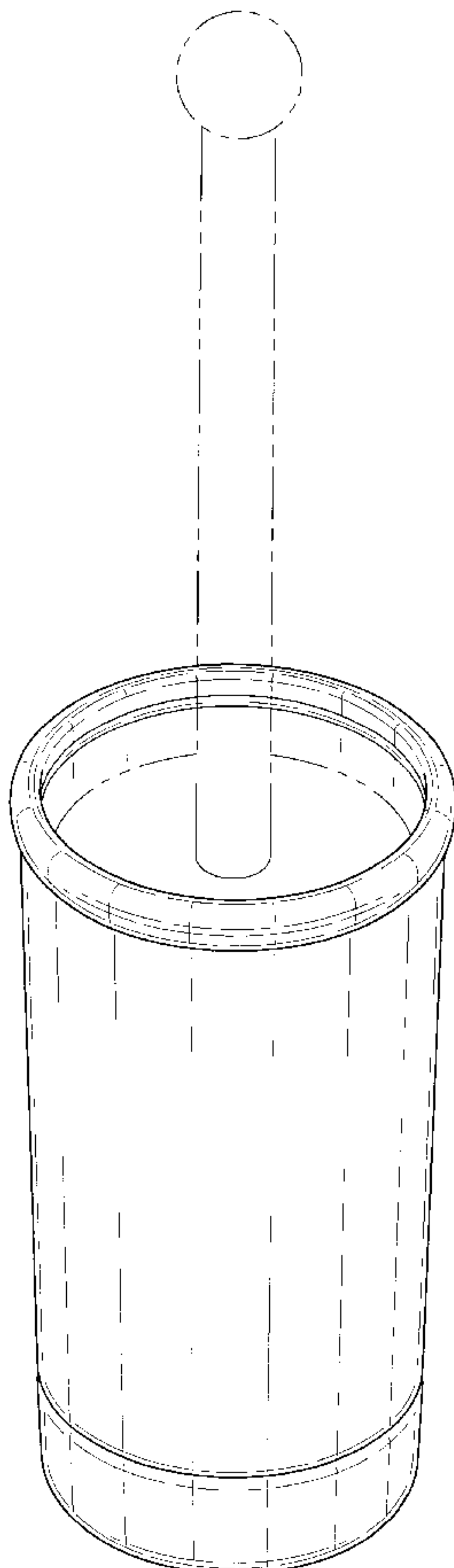
FIG. 1 is a perspective view of a brush base embodying this invention, with a phantom view of a brush handle extending from the base;

FIG. 2 is a top view of the brush base shown in FIG. 1, with a phantom view of the top of the brush handle within the base;

FIG. 3 is a front view of the brush base shown in FIG. 1, with a phantom view of the brush handle extending from the base; and,

FIG. 4 is a bottom view of the brush base shown in FIG. 1. The partial broken-line disclosure of the brush in the views is for illustrative purposes only and forms no part of the claimed design.

1 Claim, 2 Drawing Sheets



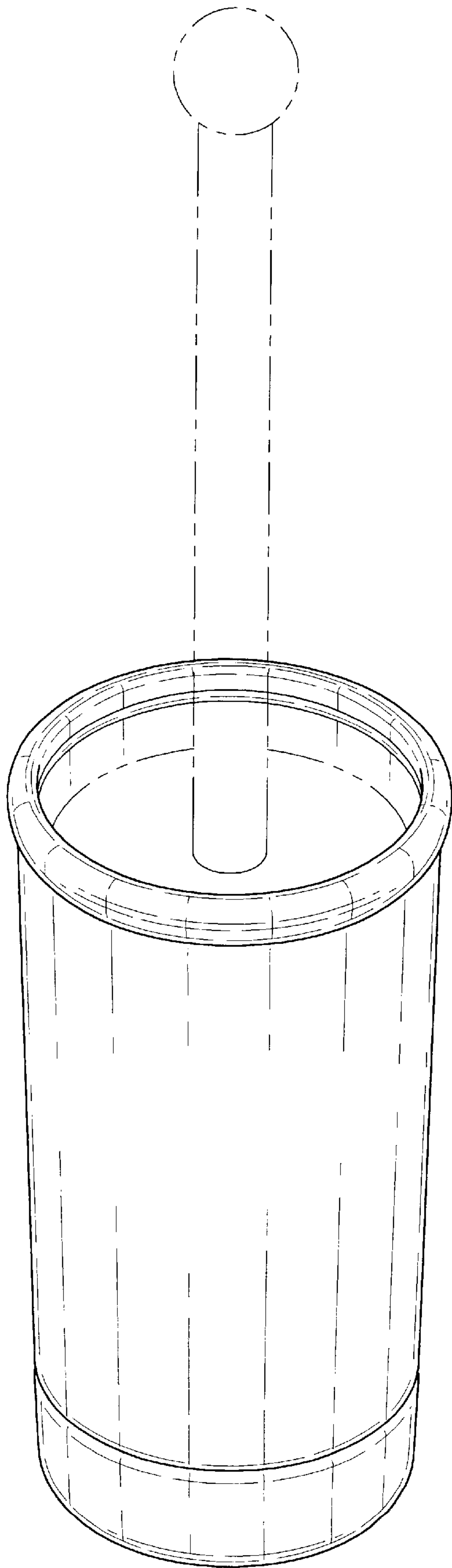


FIG-1

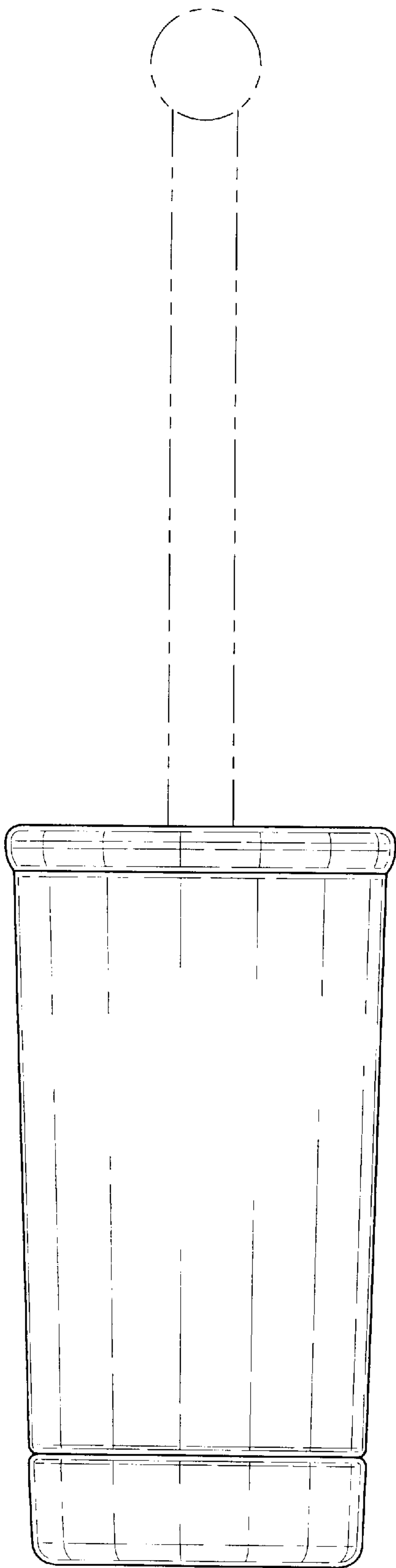


FIG-3

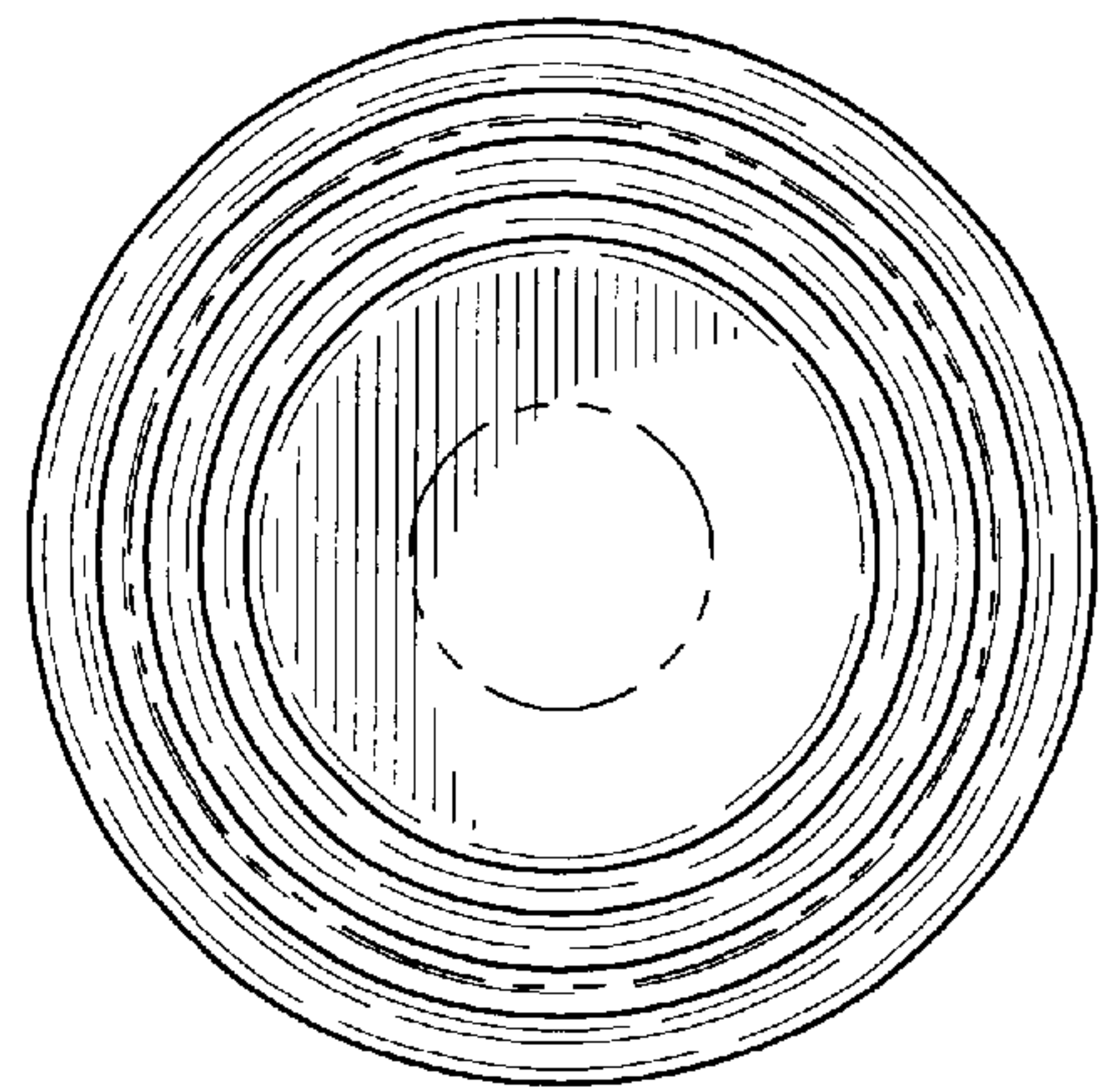


FIG-2

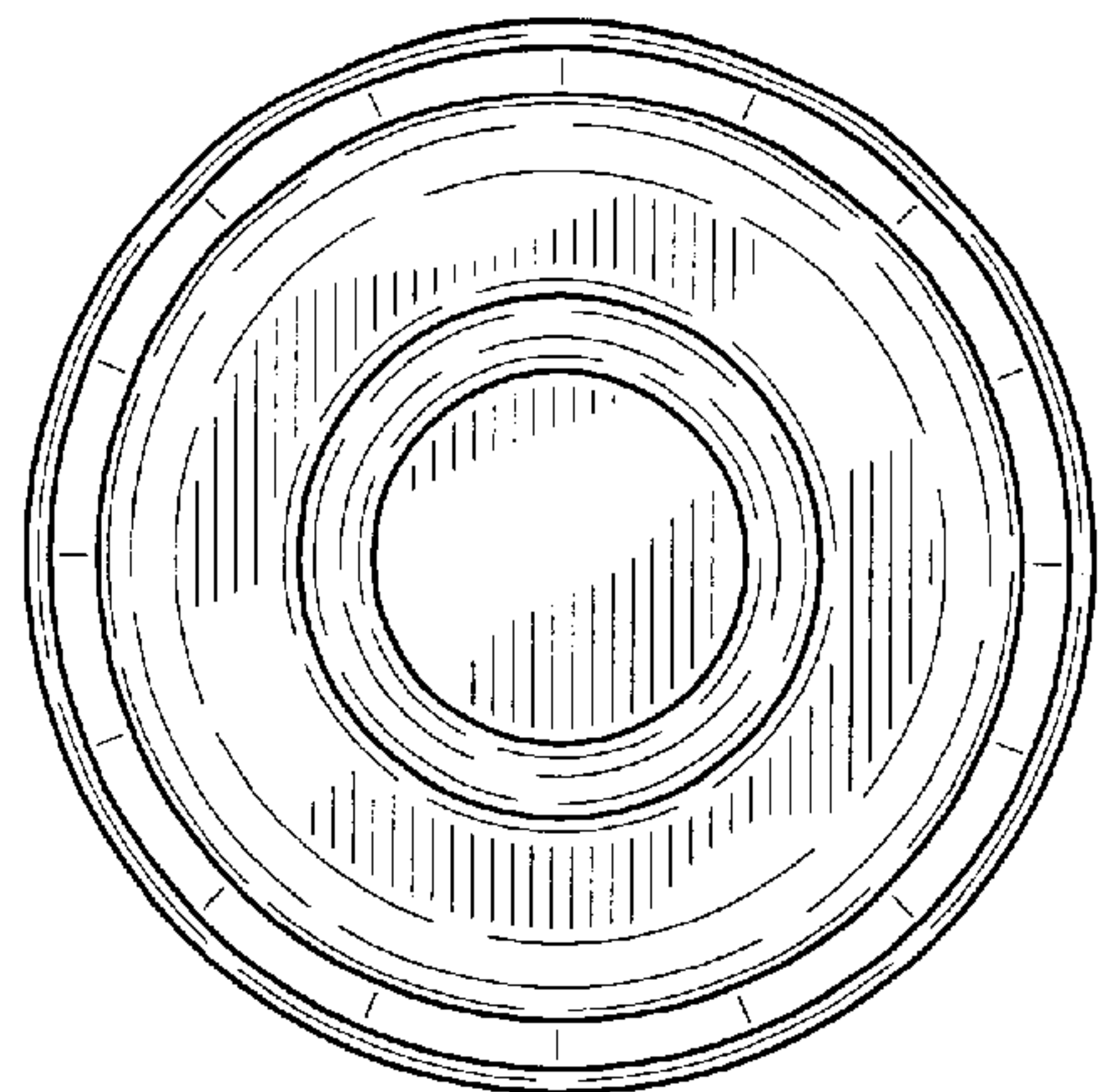


FIG-4