



US00D483589S

(12) **United States Design Patent**
Lord

(10) **Patent No.:** **US D483,589 S**

(45) **Date of Patent:** **** Dec. 16, 2003**

(54) **SOAP DISPENSER**

(75) Inventor: **Judd A. Lord**, Carmel, IN (US)

(73) Assignee: **Masco Corporation of Indiana**,
Indianapolis, IN (US)

(**) Term: **14 Years**

(21) Appl. No.: **29/178,097**

(22) Filed: **Mar. 20, 2003**

(51) **LOC (7) Cl.** **23-02**

(52) **U.S. Cl.** **D6/542**

(58) **Field of Search** D6/542, 545; 206/77.1;
221/92, 96, 123, 208, 282, 284; 222/129,
135, 173; D9/537, 548, 549, 448

(56) **References Cited**

U.S. PATENT DOCUMENTS

D396,590 S	*	8/1998	Warshawsky	D6/542
D416,154 S	*	11/1999	Diehl	D6/542
D417,993 S	*	12/1999	Mahlmann	D6/542
D467,305 S	*	12/2002	Lord	D6/542 X
D476,839 S	*	7/2003	Hare	D6/542

* cited by examiner

Primary Examiner—Brian N. Vinson

(74) *Attorney, Agent, or Firm*—Kwadjo Adusei-Poku;
Lloyd D. Doigan

(57) **CLAIM**

The ornamental design for a soap dispenser, as shown and described.

DESCRIPTION

FIG. 1 is a front perspective view of a soap dispenser showing my new design;

FIG. 2 is a rear perspective view thereof;

FIG. 3 is a rear elevational view thereof;

FIG. 4 is a front elevational view thereof;

FIG. 5 is a left side elevational view thereof;

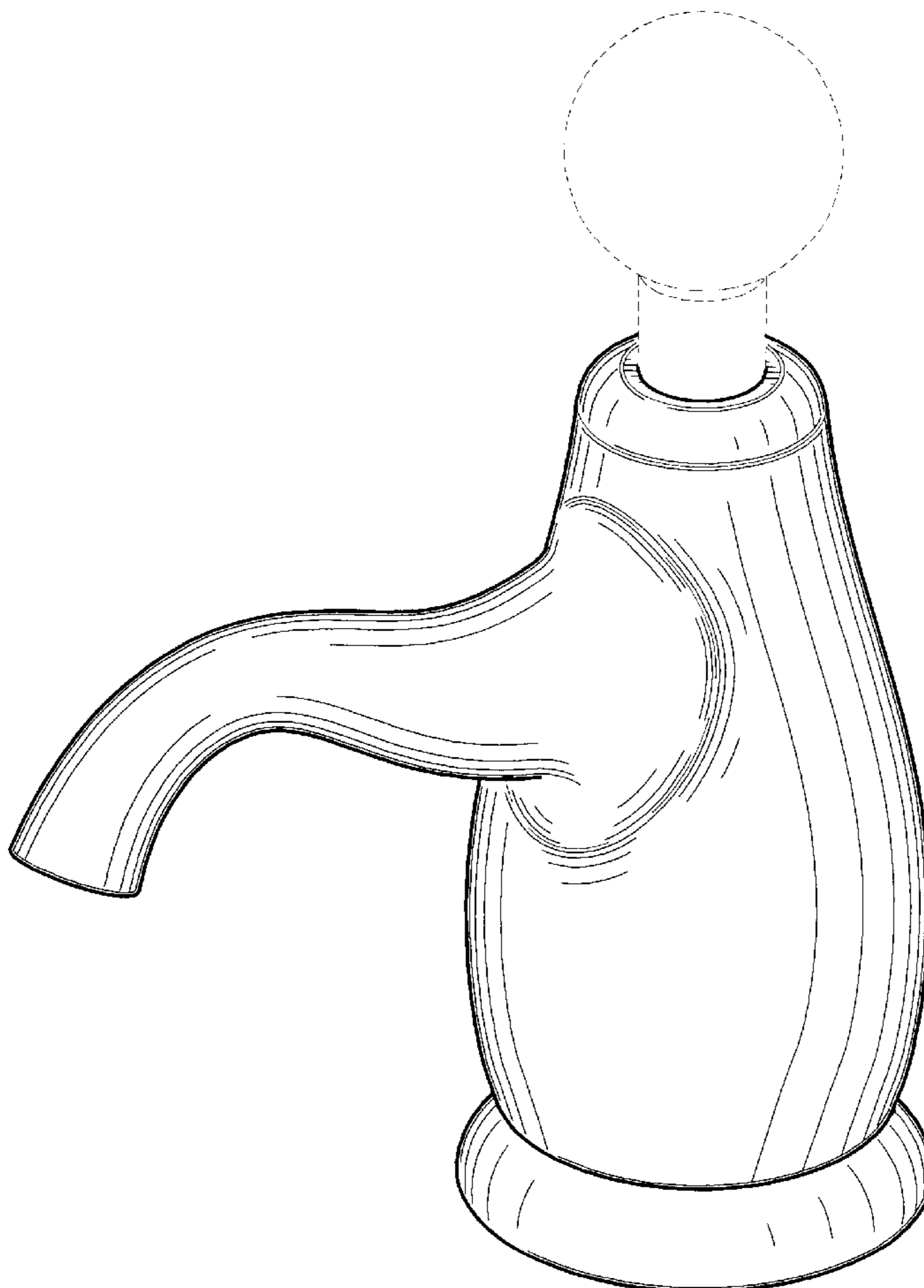
FIG. 6 is a right side elevational view thereof;

FIG. 7 is a top plan view thereof; and,

FIG. 8 is a bottom plan view thereof.

The broken-line disclosure of the actuator knob in the views is for illustrative purposes only and forms no part of the claimed design.

1 Claim, 6 Drawing Sheets



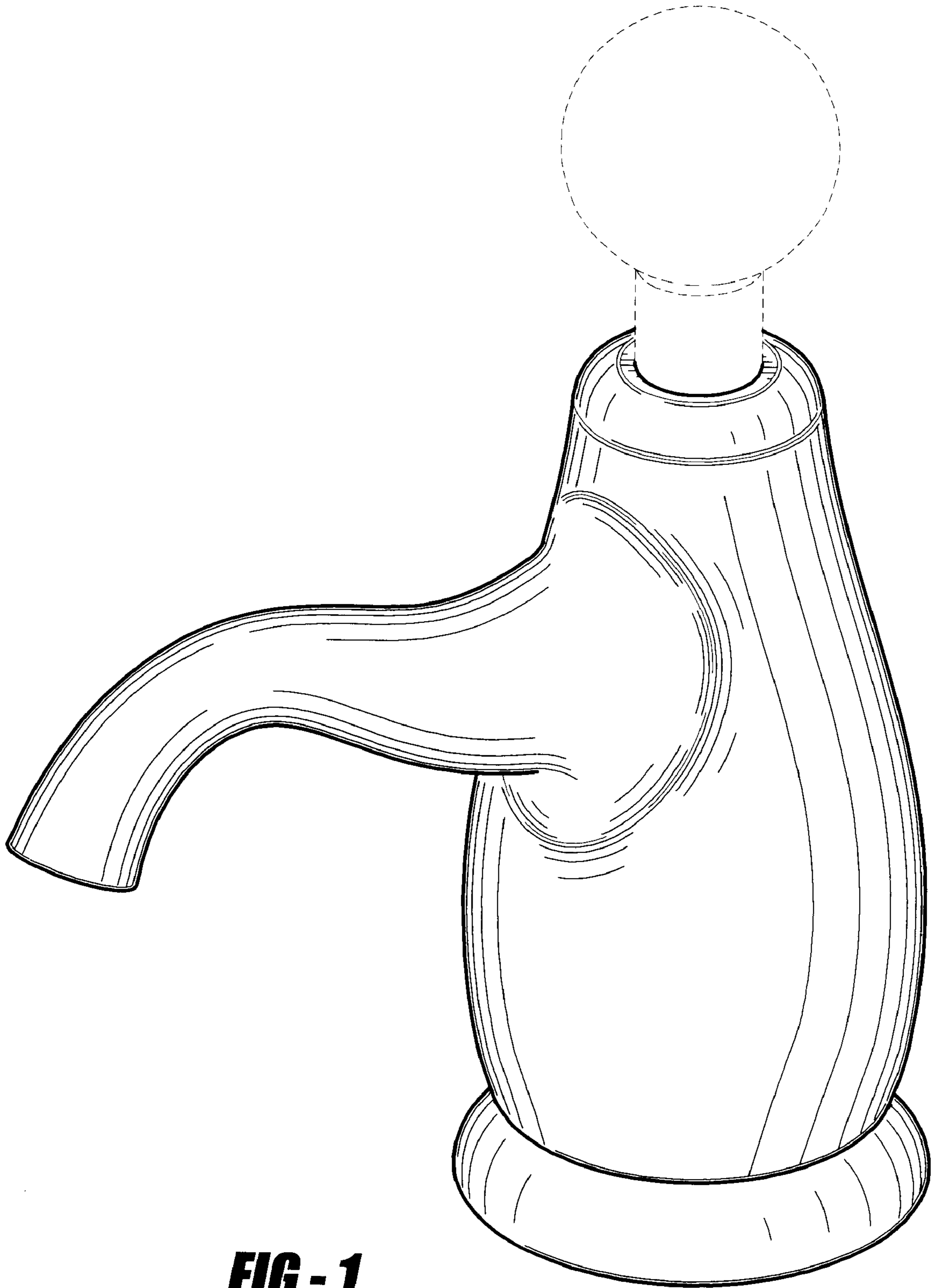


FIG - 1

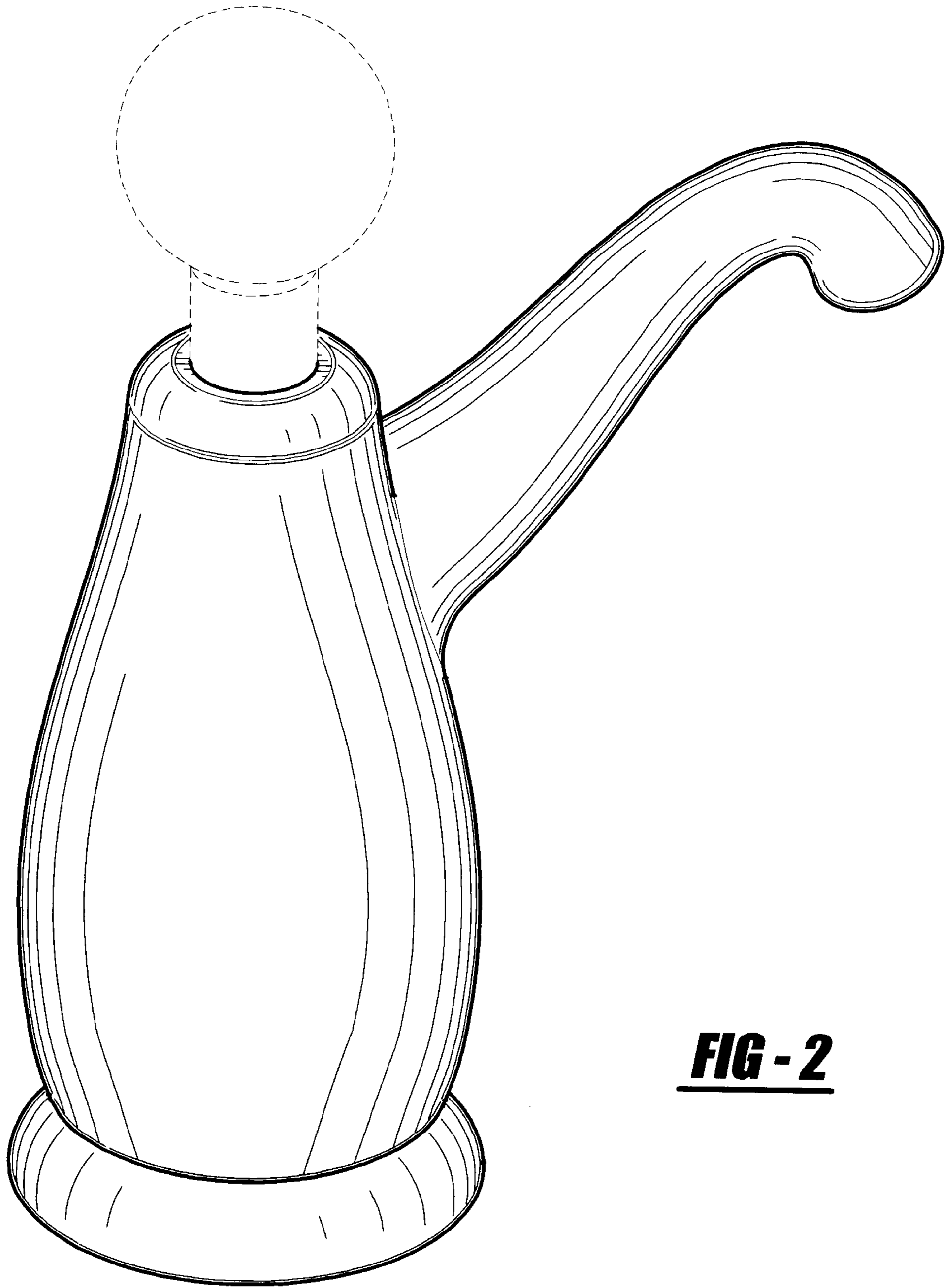


FIG - 2

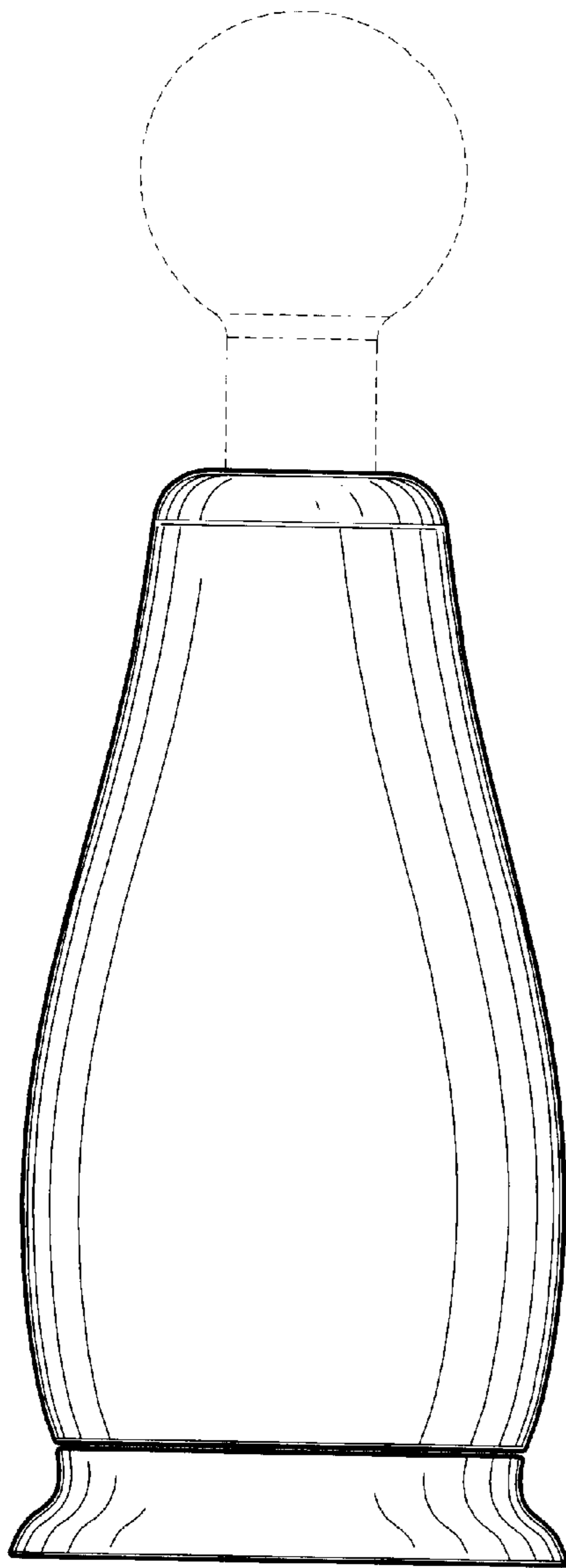


FIG - 3

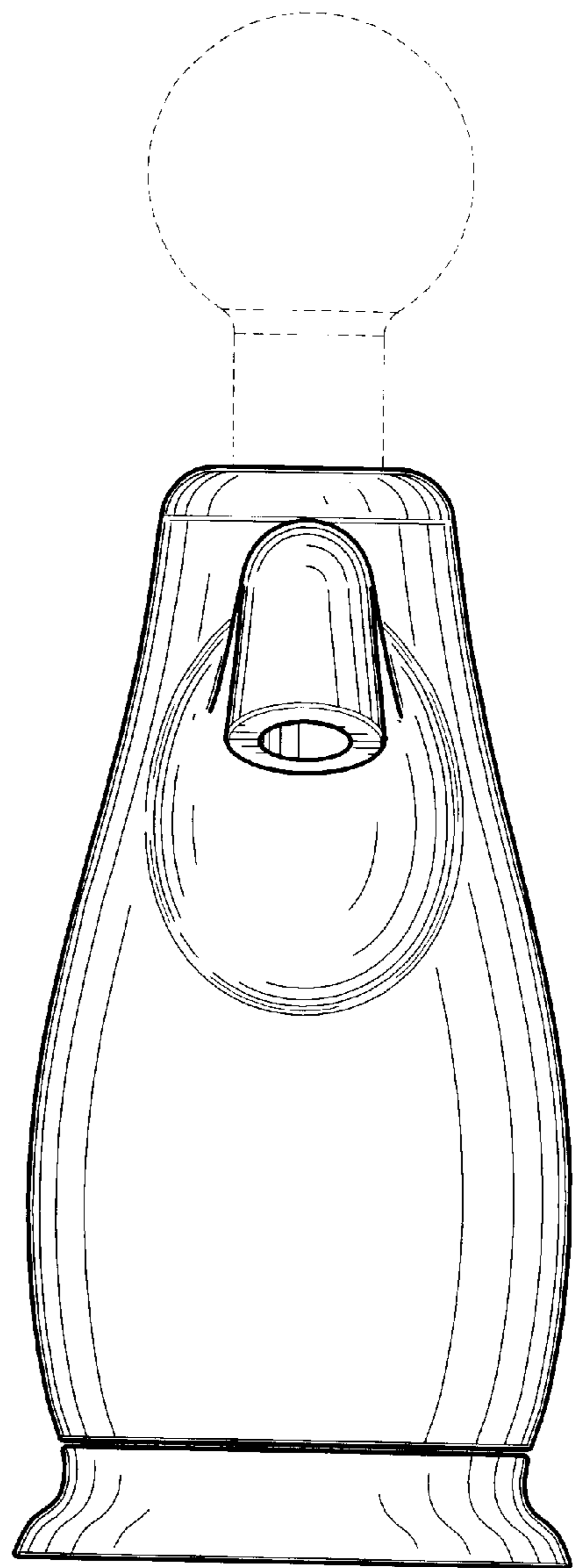


FIG - 4

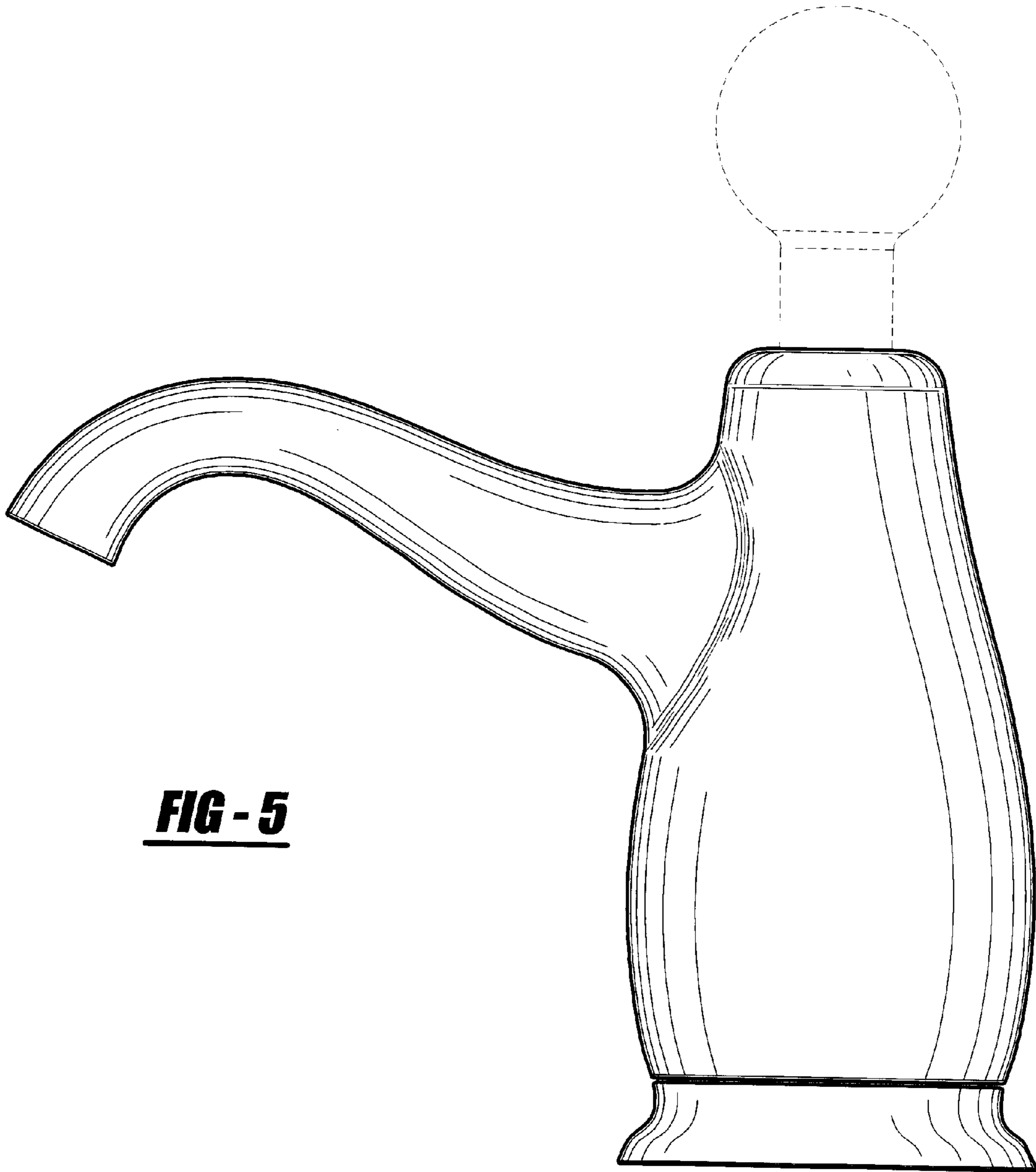


FIG - 5

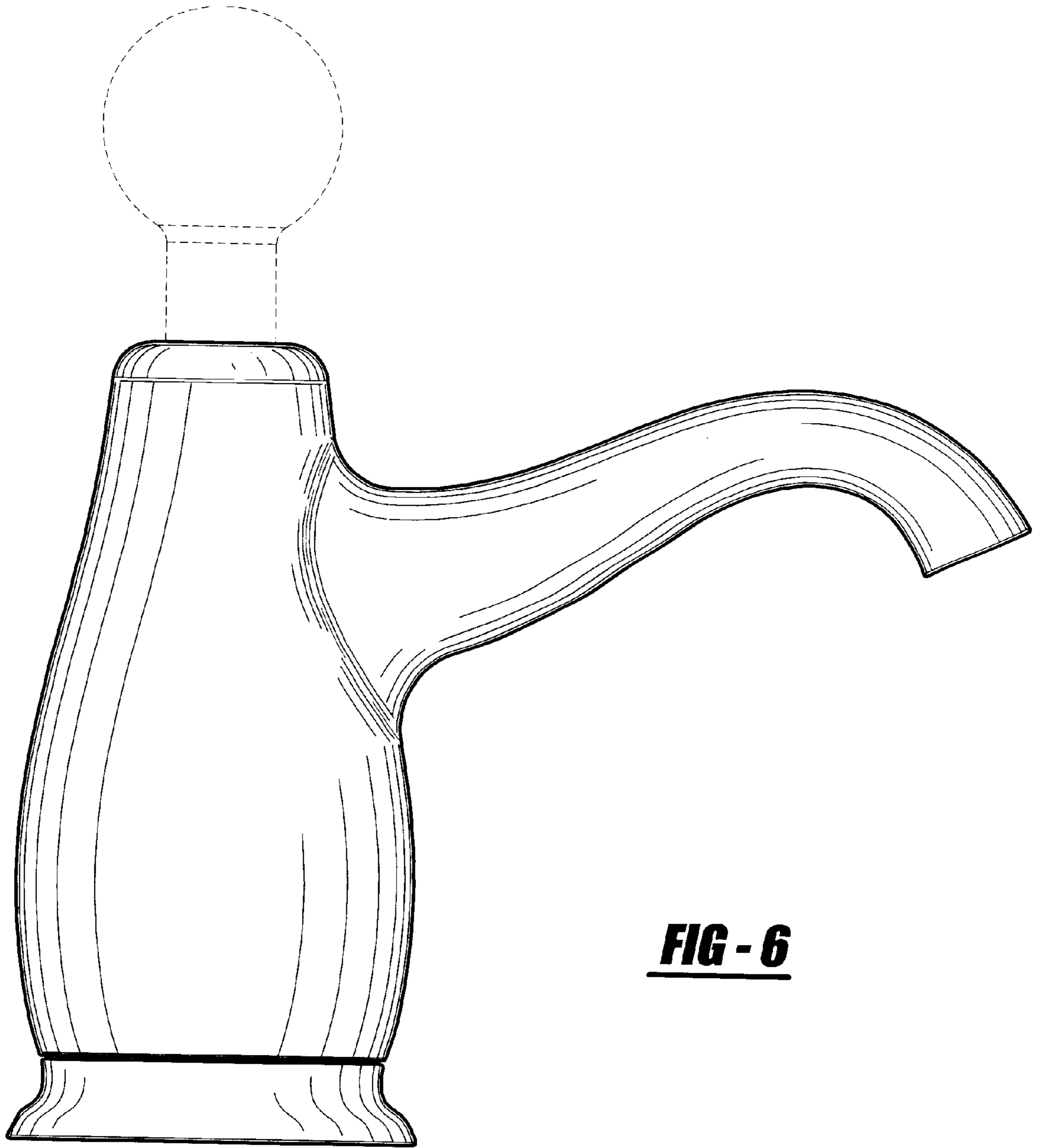


FIG - 6

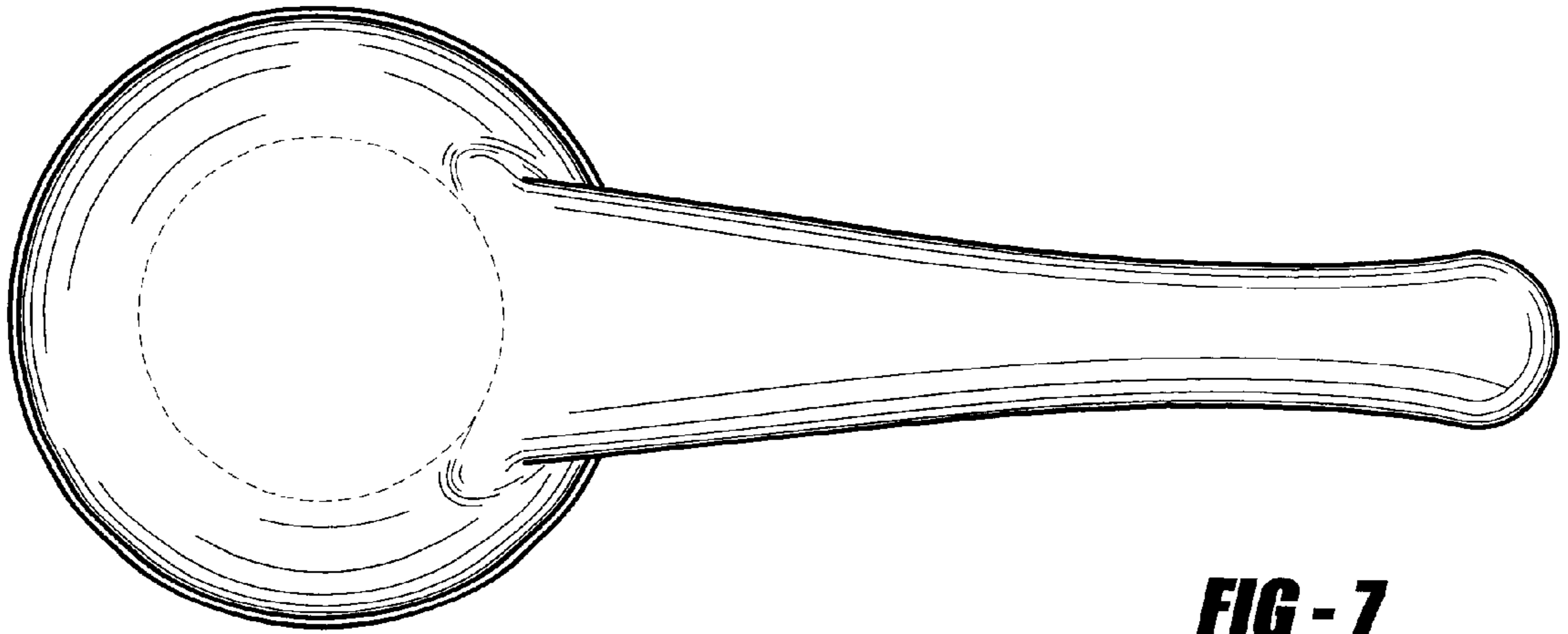


FIG - 7

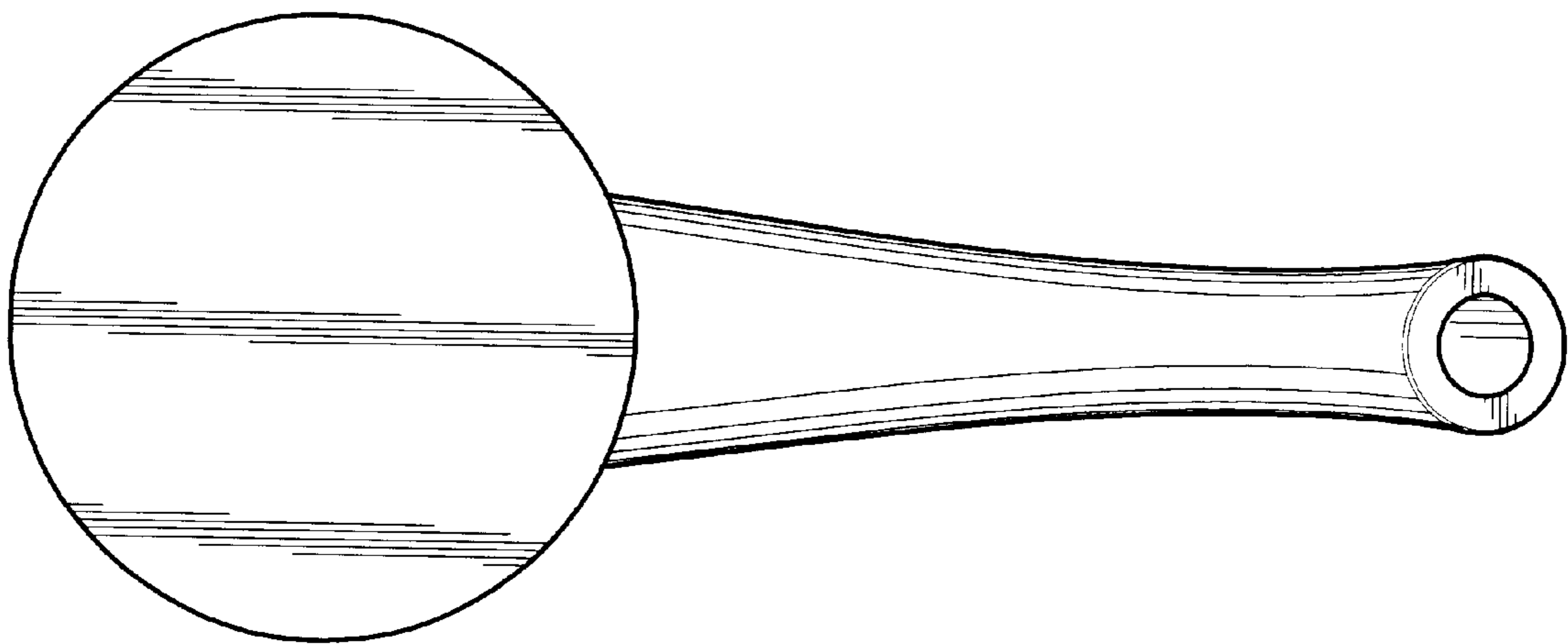


FIG - 8