



US00D483585S

(12) **United States Design Patent**
Chen

(10) **Patent No.:** **US D483,585 S**

(45) **Date of Patent:** **** Dec. 16, 2003**

(54) **HOLDER FOR BATH FITTINGS**

(76) Inventor: **Lien-Fu Chen**, No. 11, Lane 66, Fu Dong St., Chang Hua City (TW)

(**) Term: **14 Years**

(21) Appl. No.: **29/170,758**

(22) Filed: **Nov. 13, 2002**

(51) **LOC (7) Cl.** **06-02**

(52) **U.S. Cl.** **D6/524; D6/549**

(58) **Field of Search** D6/546-50, 518, D6/522-24; D8/300, 303, 315-21, 354, 363, 373, 380; 108/28-29; 211/13.1, 16, 60.1, 86.01, 87.01, 88.01, 88.04, 100, 105.1-105.2, 119.003, 123, 126.1, 133.6, 134, 181.1, 182; 248/175, 176.1, 200, 214, 251, 302, 309.1; 16/110.1, 412, 415; 242/570, 590, 595-598; 206/389, 557

(56) **References Cited**

U.S. PATENT DOCUMENTS

D337,230 S * 7/1993 Wang D6/550
D436,776 S * 1/2001 Chen D6/524
D449,948 S * 11/2001 Lai D6/524

D452,791 S * 1/2002 Chen D6/524
D463,936 S * 10/2002 Chen D6/550
D475,228 S * 6/2003 Yeh D6/524

* cited by examiner

Primary Examiner—Brian N. Vinson

(74) *Attorney, Agent, or Firm*—Charles E. Baxley

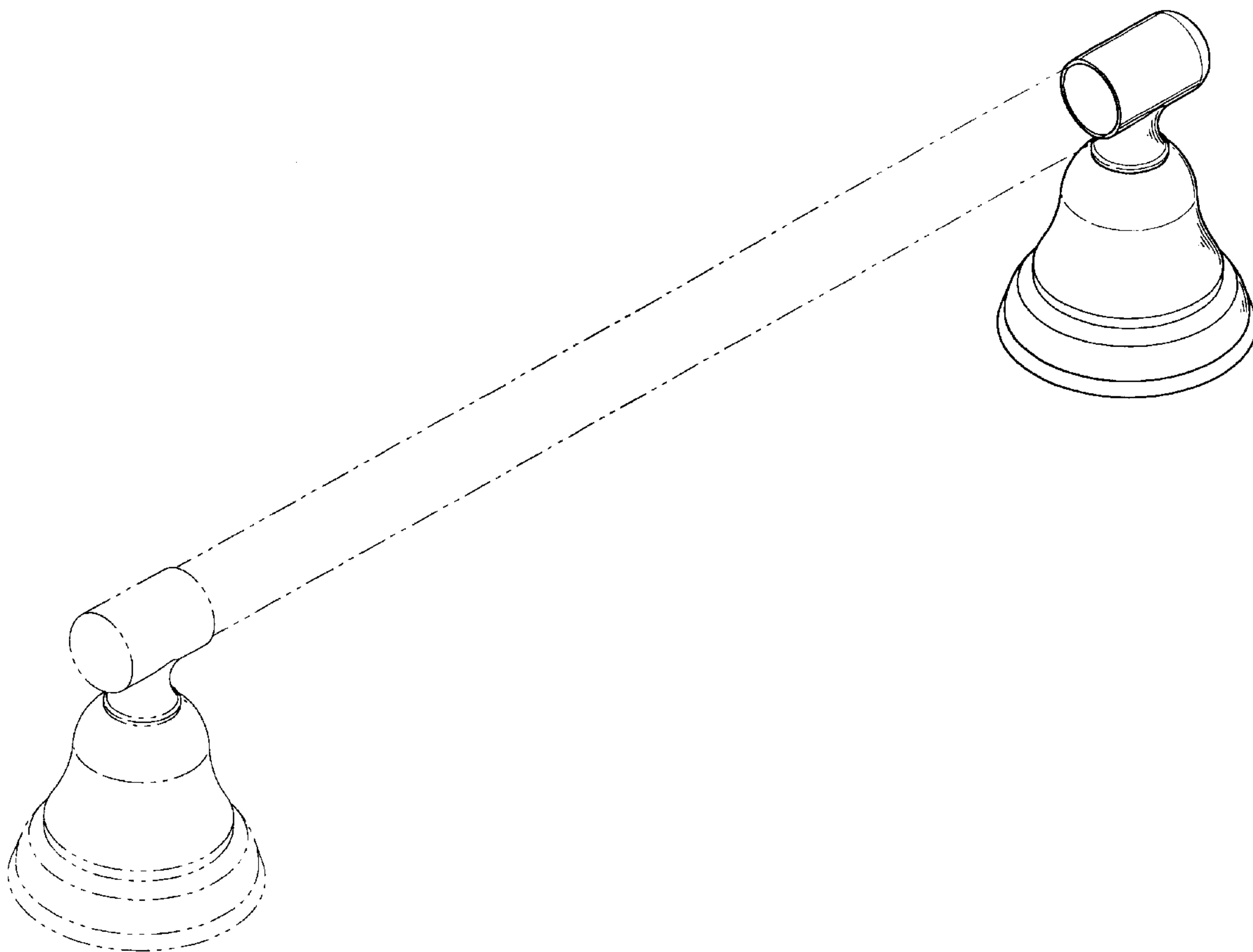
(57) **CLAIM**

The ornamental design for a holder for bath fittings, as shown and described.

DESCRIPTION

FIG. 1 is a perspective view of a holder for bath fittings showing my new design;
FIG. 2 is a front elevational view thereof;
FIG. 3 is a rear elevational view thereof,
FIG. 4 is a left side elevational view thereof,
FIG. 5 is a right side elevational view thereof,
FIG. 6 is a top plan view thereof; and
FIG. 7 is a bottom plan view to that shown; and,
FIG. 8 is a perspective view of holder for bath fittings, the broken lines shown are for illustrative purposes only and from no part of the claimed design.

1 Claim, 7 Drawing Sheets



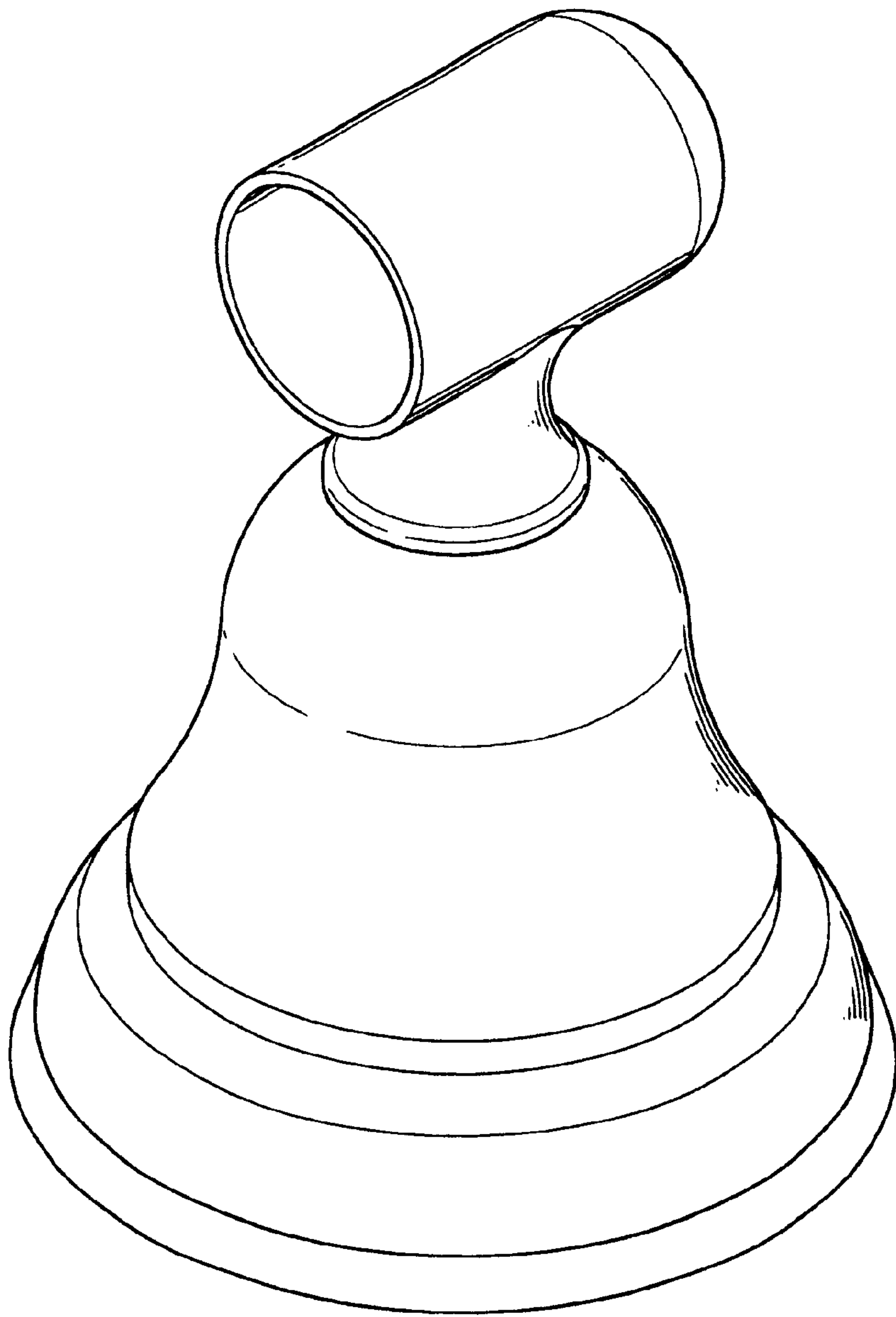


FIG. 1

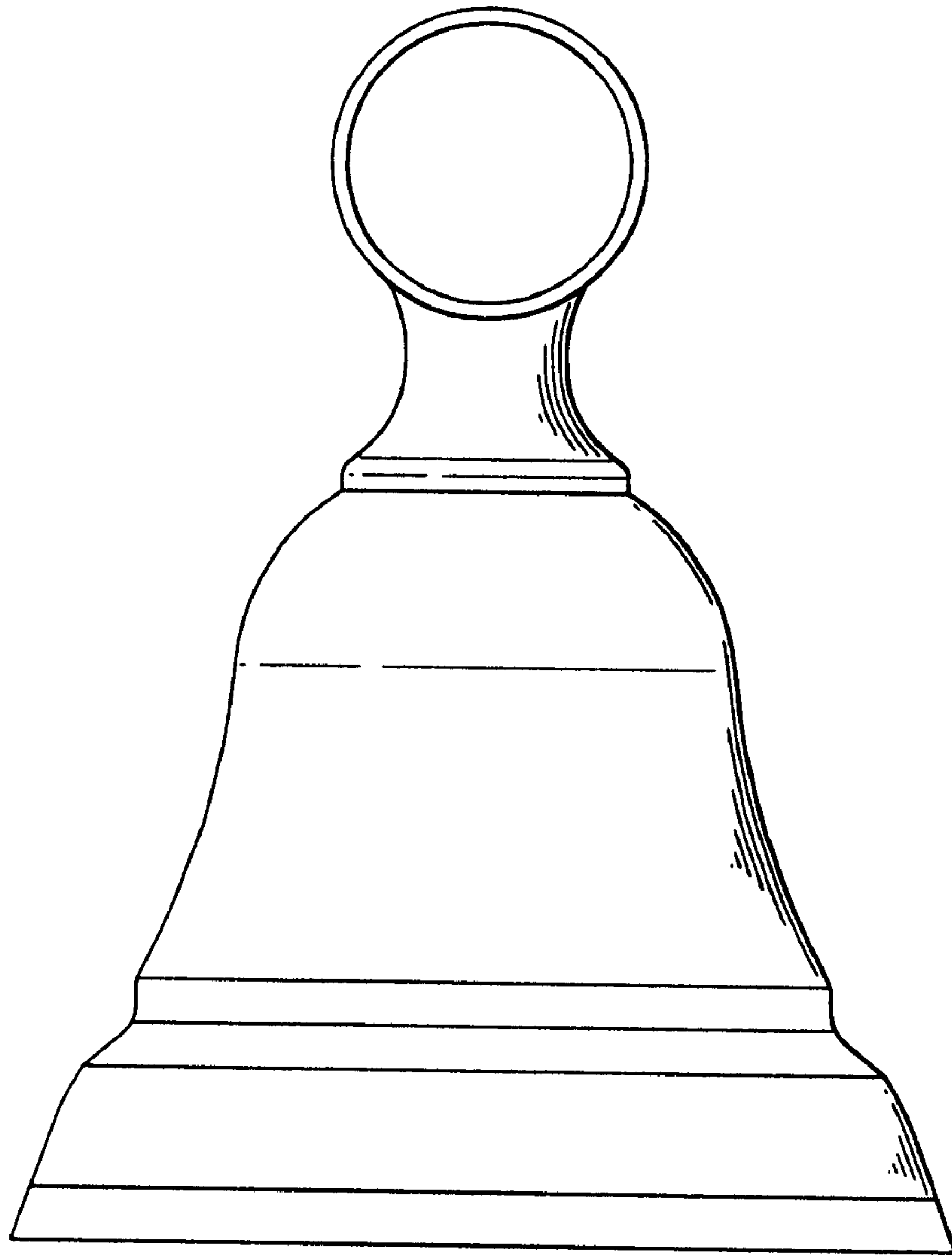


FIG. 2

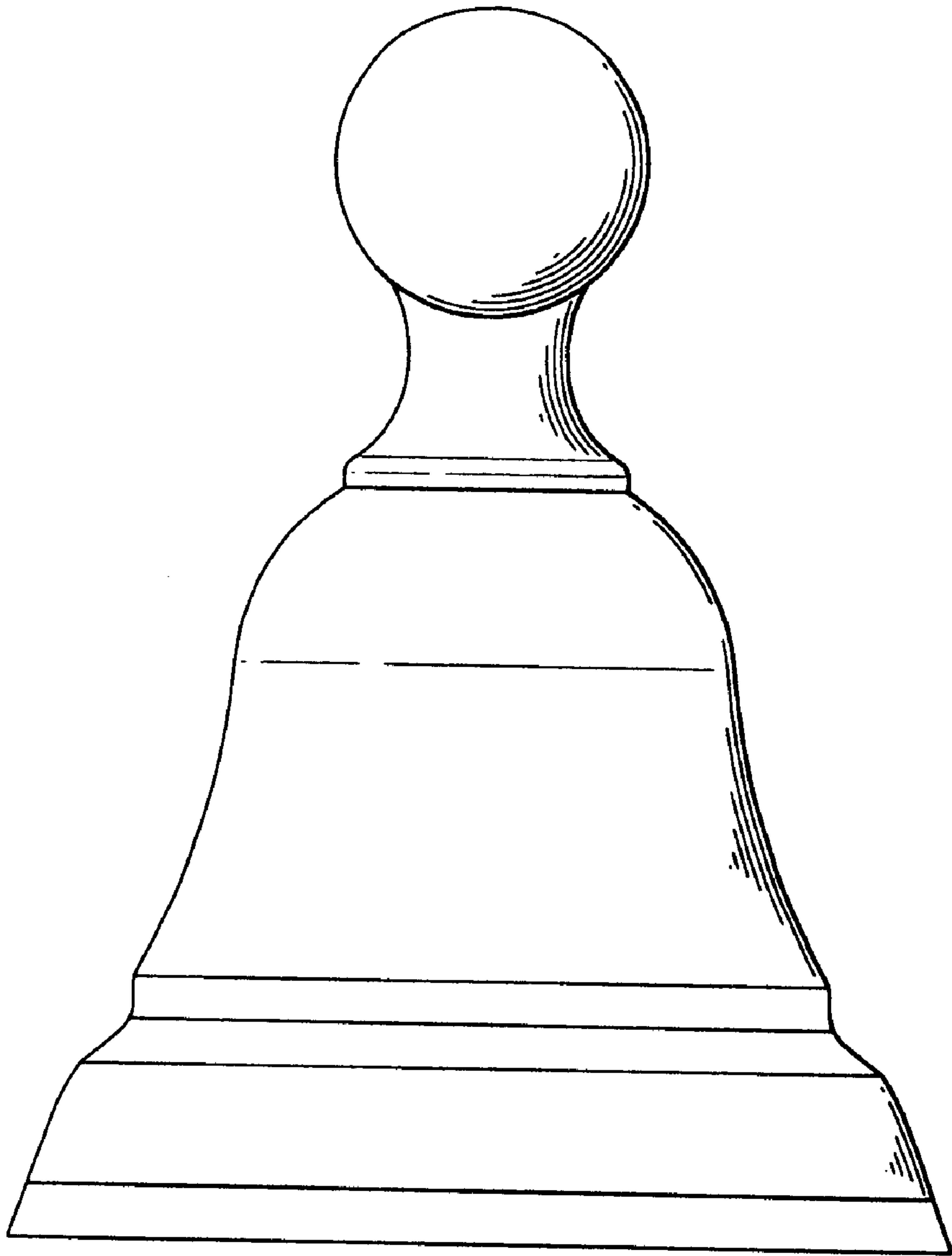


FIG. 3

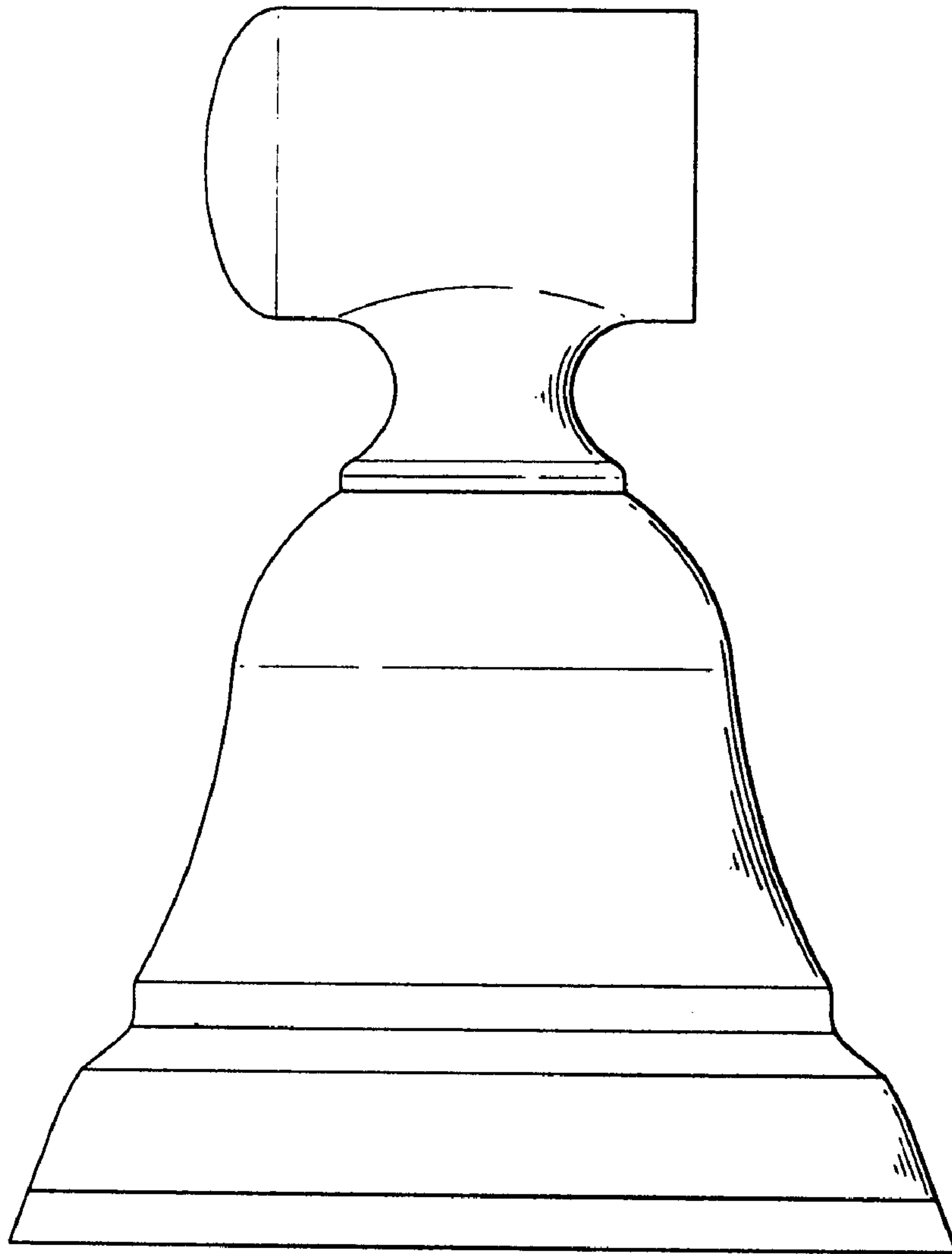


FIG. 4

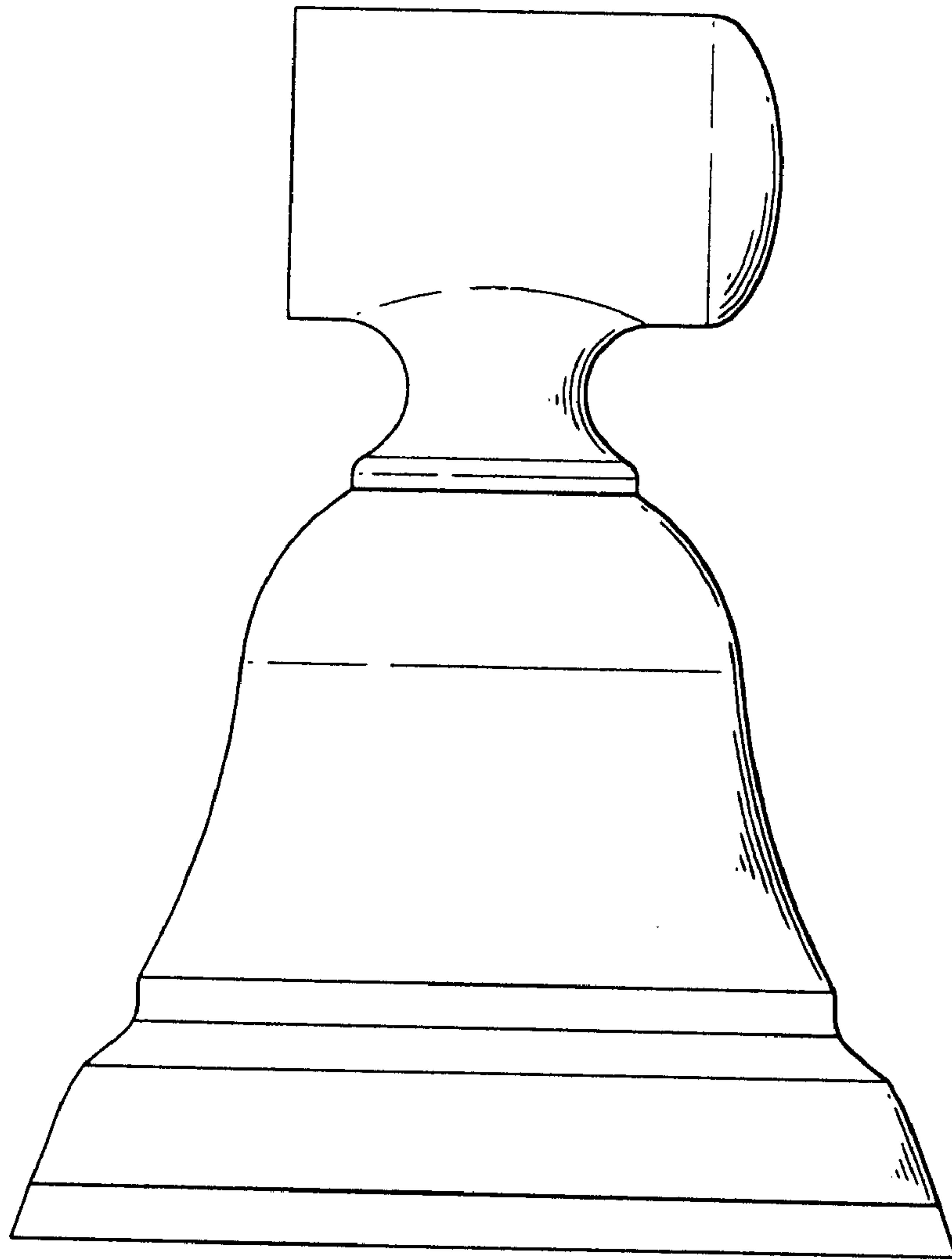


FIG. 5

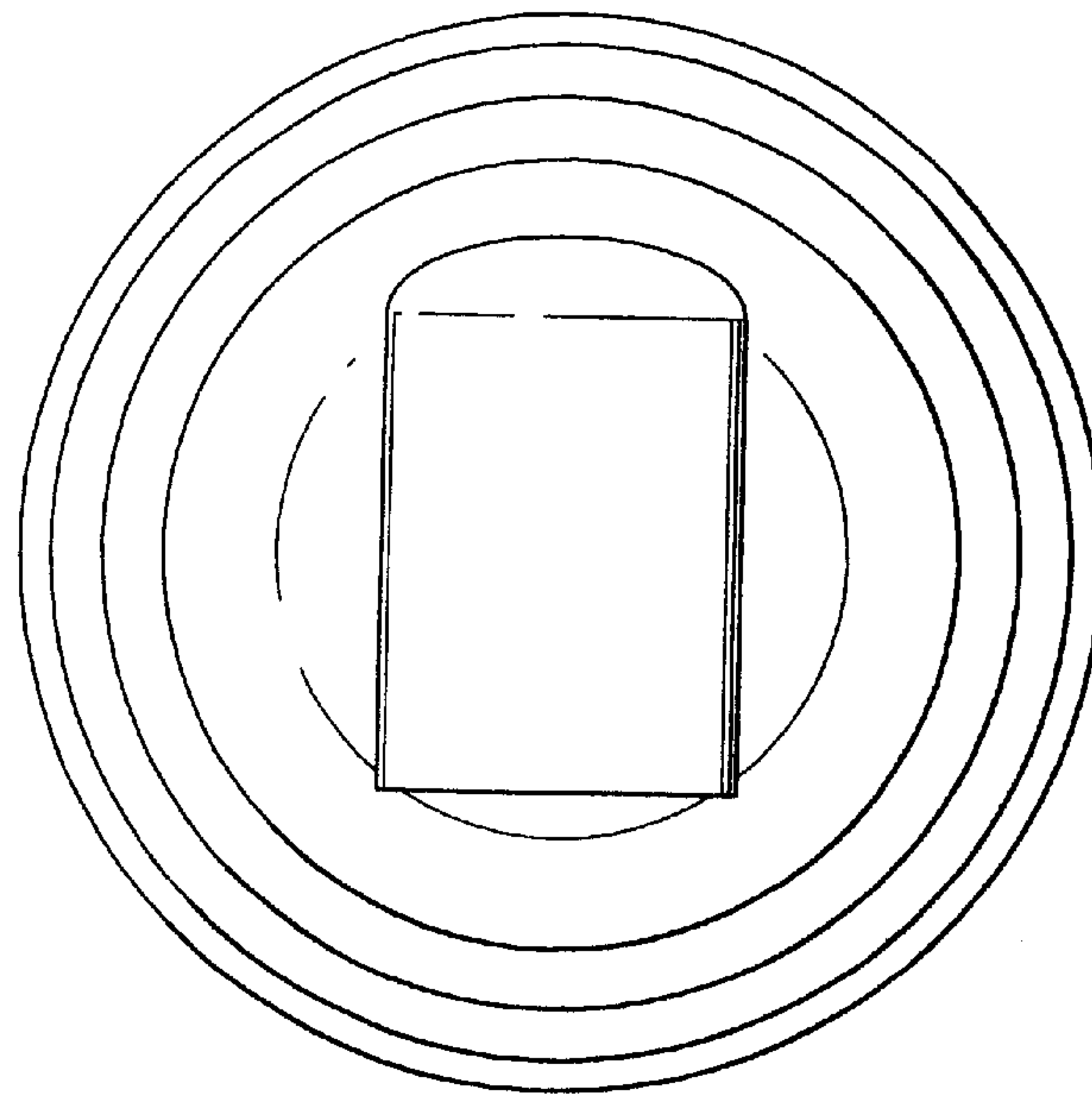


FIG. 6

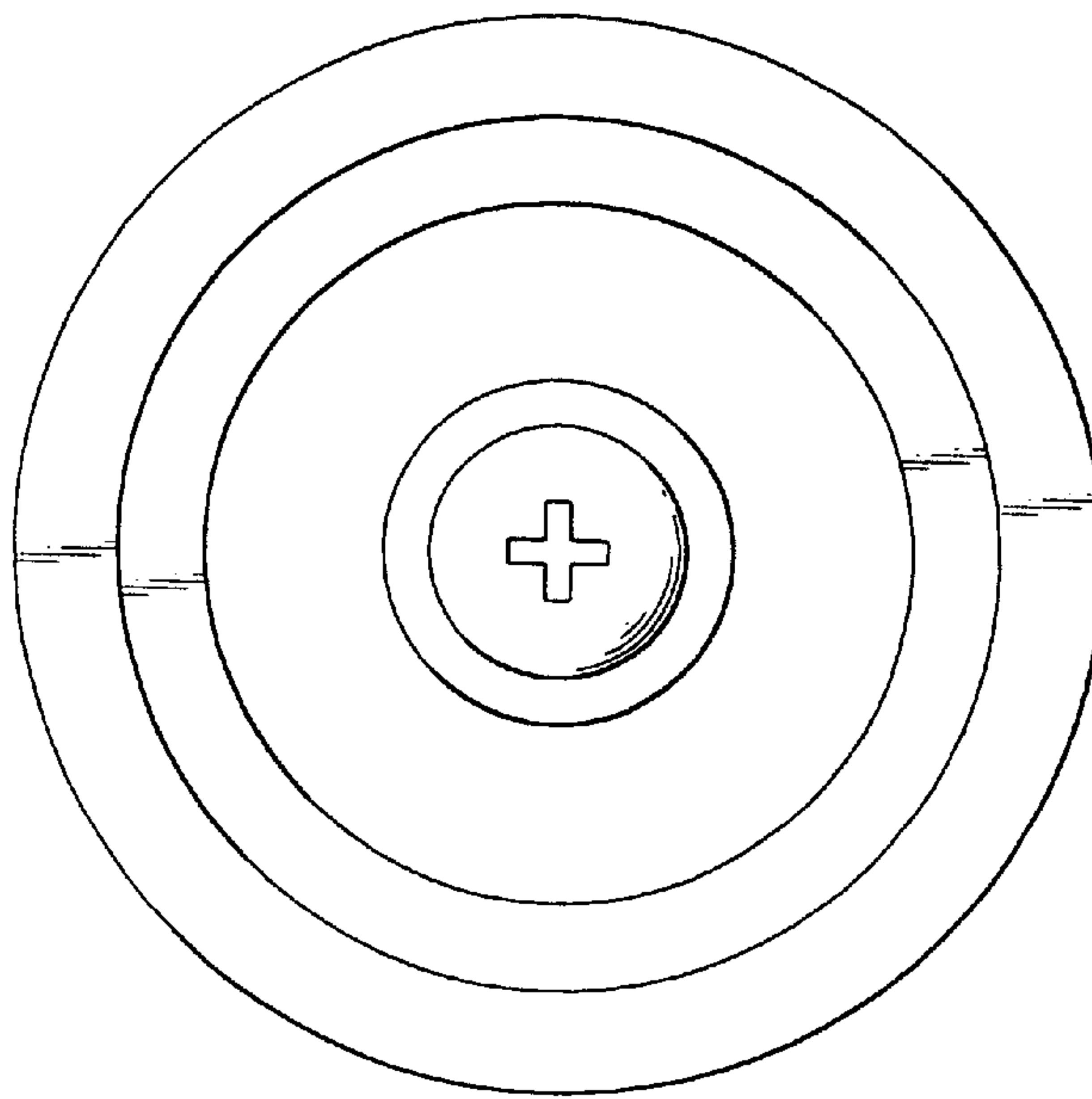


FIG. 7

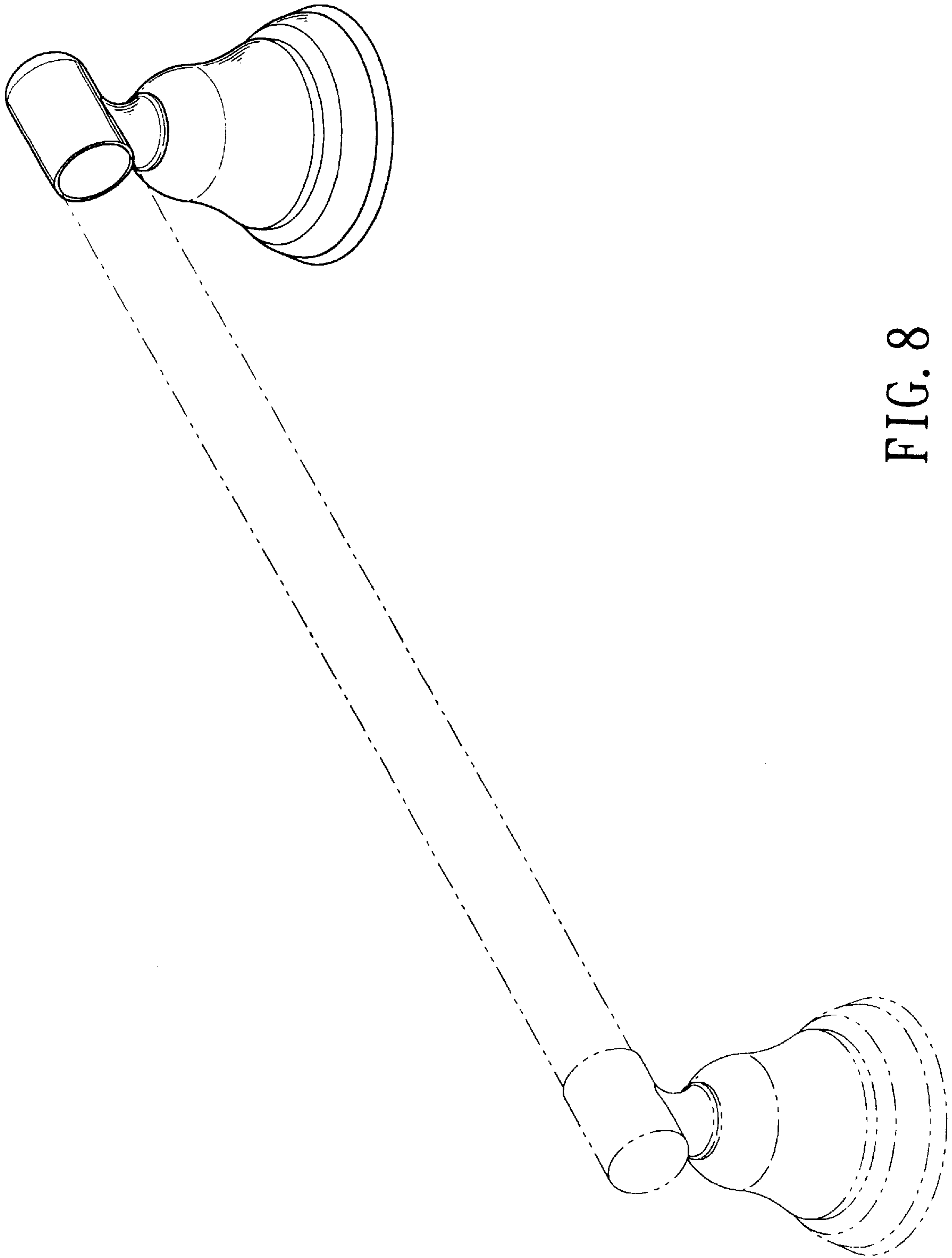


FIG. 8