



US00D483582S

(12) **United States Design Patent**  
**Chen**

(10) **Patent No.:** **US D483,582 S**

(45) **Date of Patent:** **\*\* Dec. 16, 2003**

(54) **CHAIR CONTROL MECHANISM**

D468,940 S \* 1/2003 Chen ..... D6/500

(76) Inventor: **Su-Ming Chen**, No. 566, Fong-Lin 2nd Road, Ta-Liao Hsiang, Kaohsiung Hsien (TW)

\* cited by examiner

*Primary Examiner*—Gary D. Watson  
(74) *Attorney, Agent, or Firm*—Merchant & Gould, P.C.

(\*\*) Term: **14 Years**

(57) **CLAIM**

(21) Appl. No.: **29/159,831**

The ornamental design for chair control mechanism, as shown and described.

(22) Filed: **Apr. 29, 2002**

**DESCRIPTION**

(51) **LOC (7) Cl.** ..... **06-06**

(52) **U.S. Cl.** ..... **D6/500**

(58) **Field of Search** ..... D6/334, 335, 366, D6/367, 500, 501, 502; 248/161, 578; 297/344.12, 344.16, 344.18, 344.19, 344.21

FIG. 1 is a perspective view of chair control mechanism showing the new design;

FIG. 2 is a front elevational view thereof;

FIG. 3 is a rear elevational view thereof;

FIG. 4 is a left side elevational view thereof;

FIG. 5 is a right side elevational view thereof;

FIG. 6 is a top plan view thereof; and,

FIG. 7 is a bottom plan view thereof.

(56) **References Cited**

**U.S. PATENT DOCUMENTS**

D409,862 S \* 5/1999 Glaser et al. .... D6/500

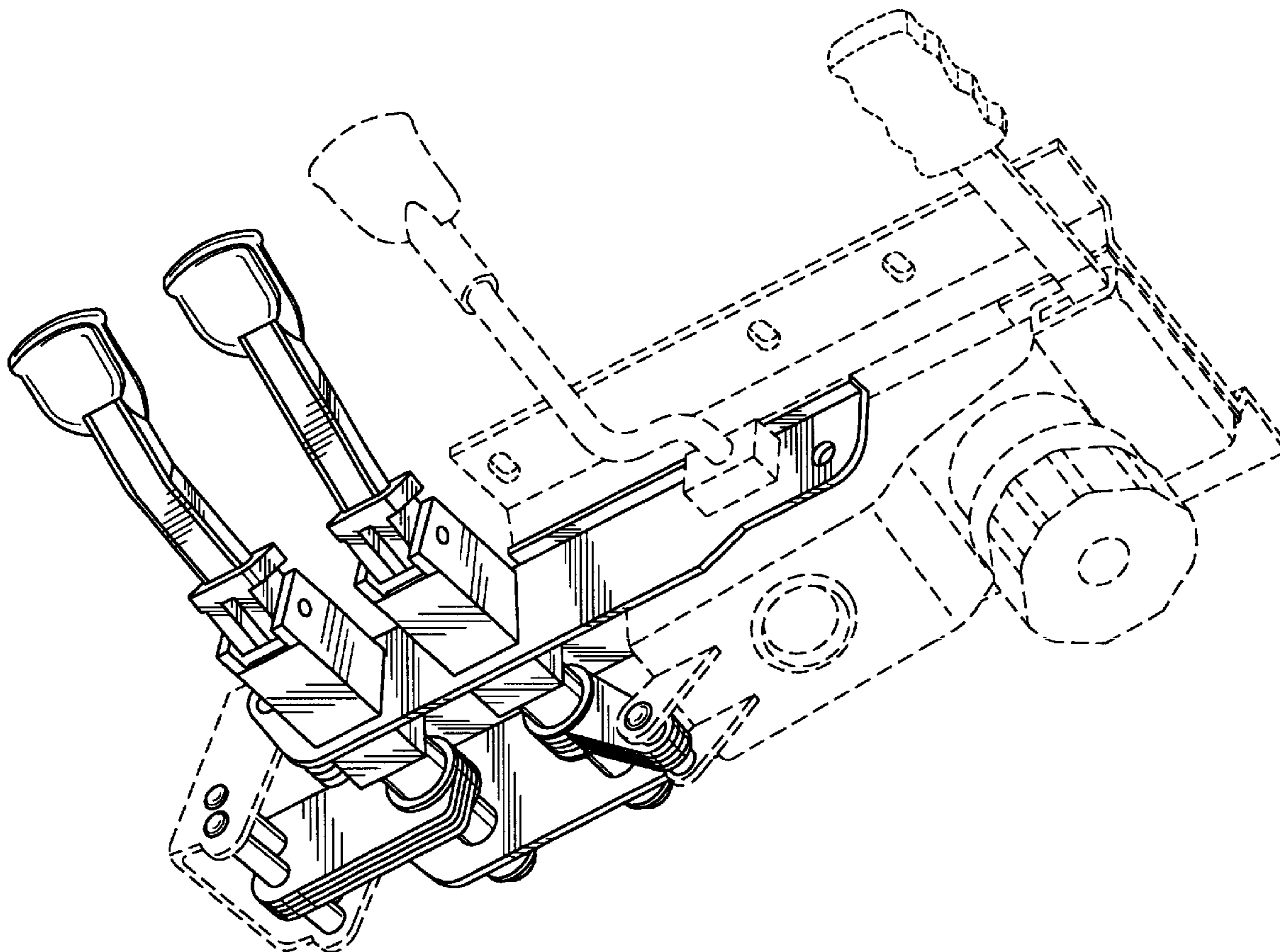
6,224,155 B1 \* 5/2001 DeKraker et al. .... 297/344.12

D447,652 S \* 9/2001 Beggs ..... D6/500

6,290,296 B1 \* 9/2001 Beggs ..... 297/344.16

The portions of the figures shown in broken lines are for illustrative purposes only and form no part of the claimed design.

**1 Claim, 6 Drawing Sheets**



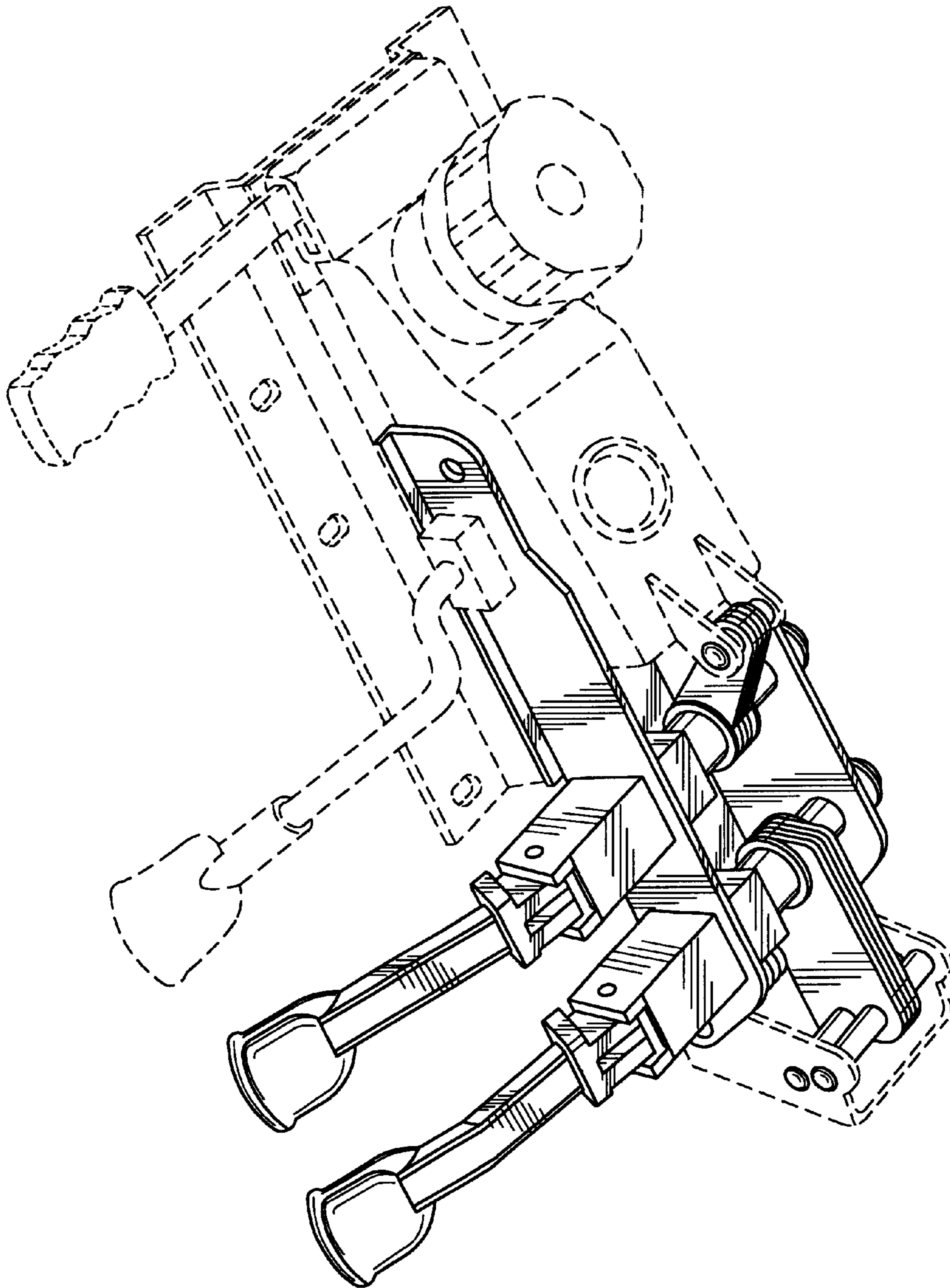


FIG. 1

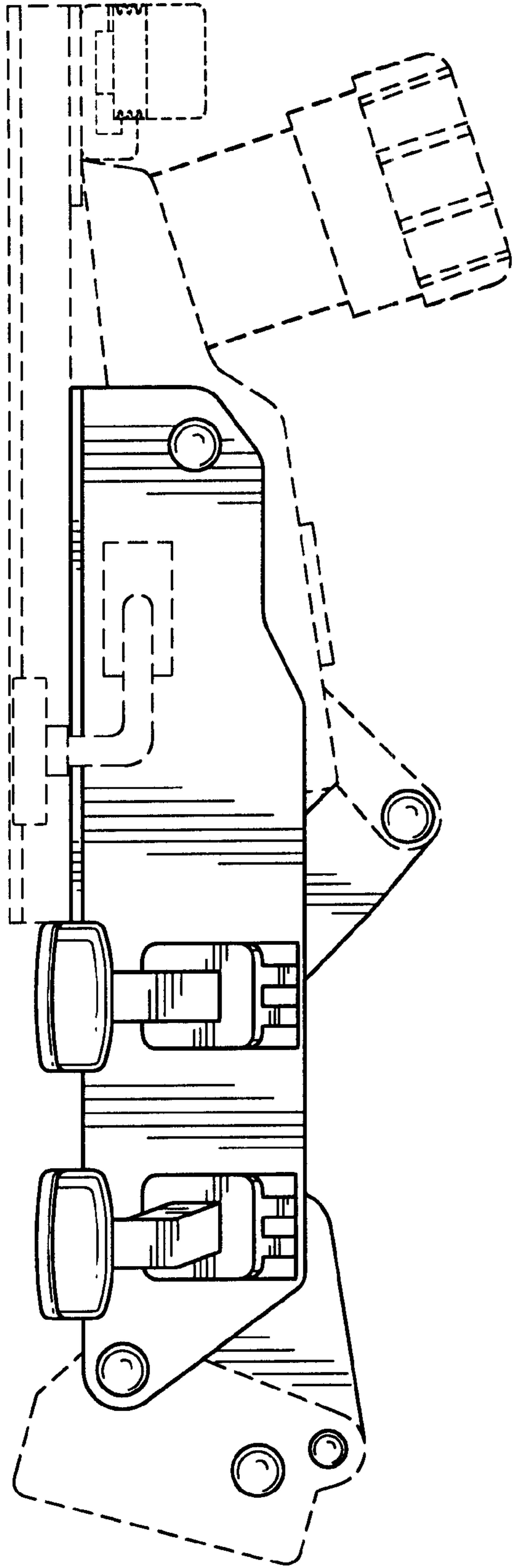


FIG. 2

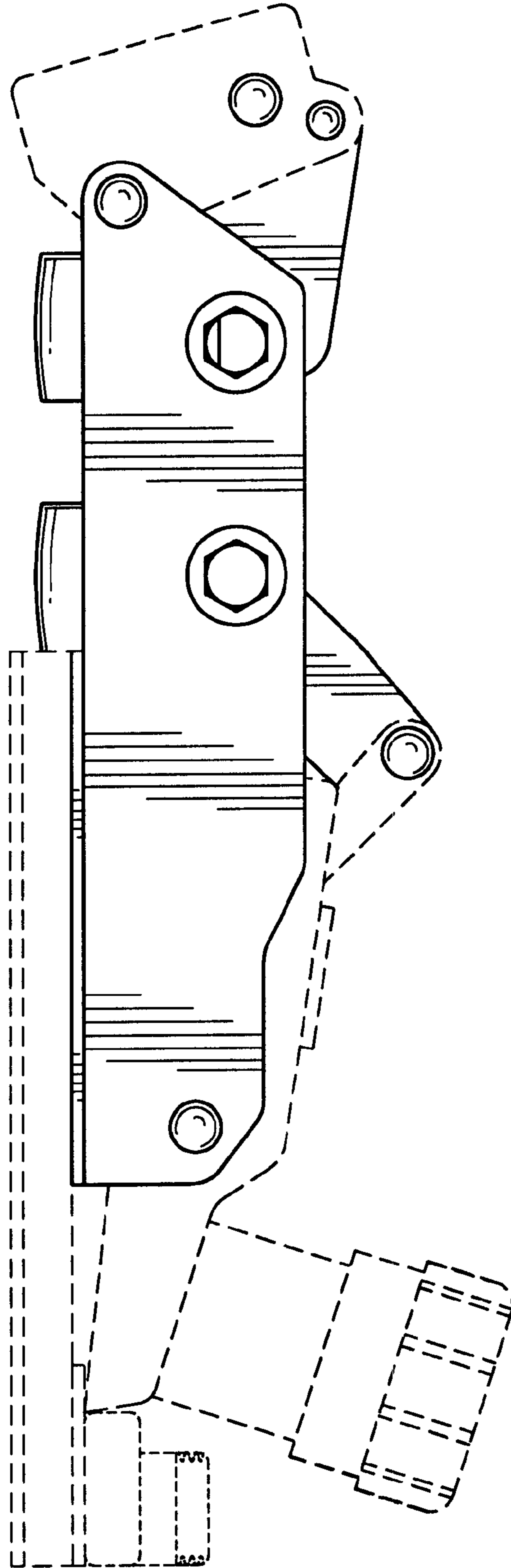


FIG. 3

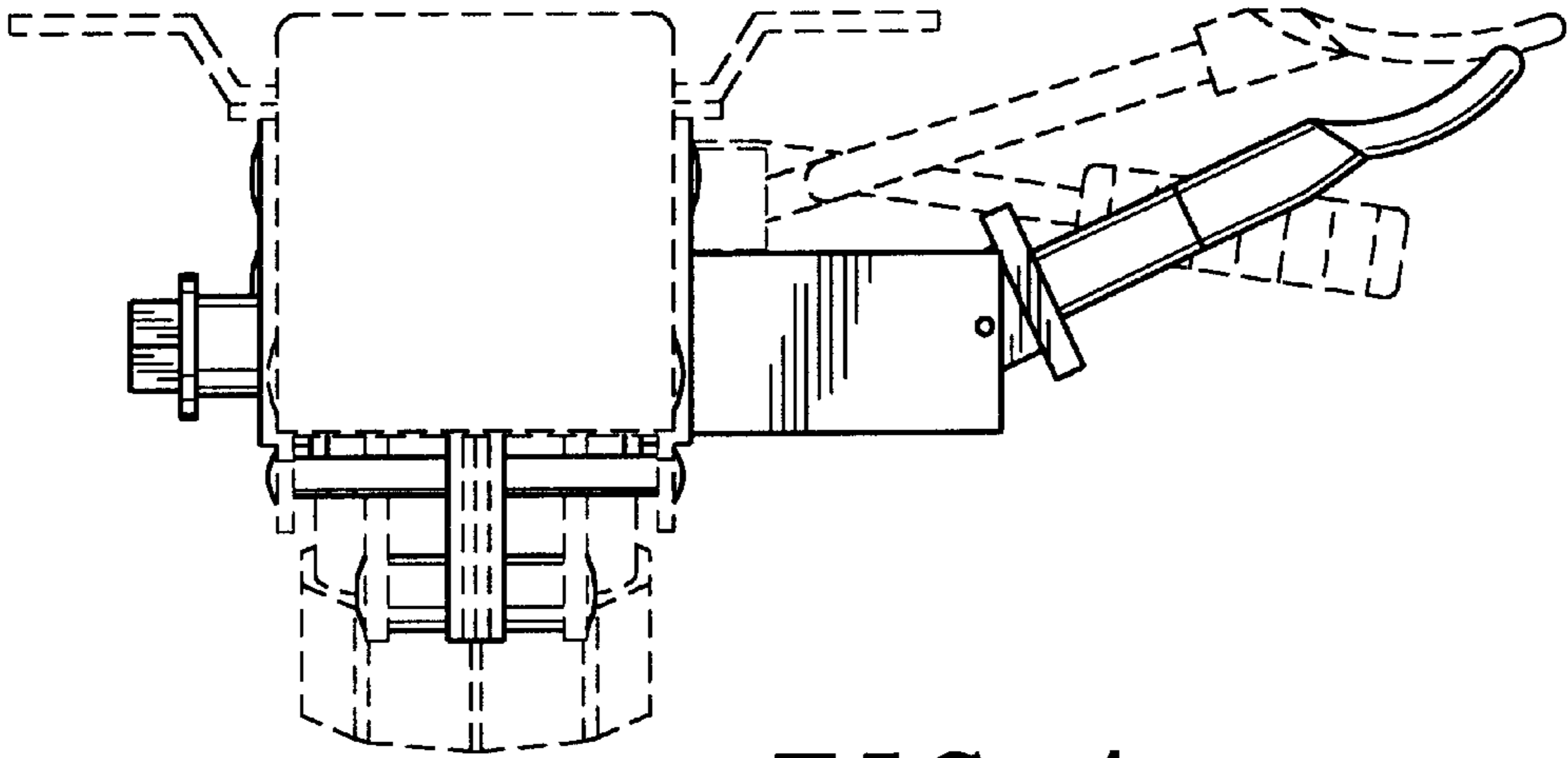


FIG. 4

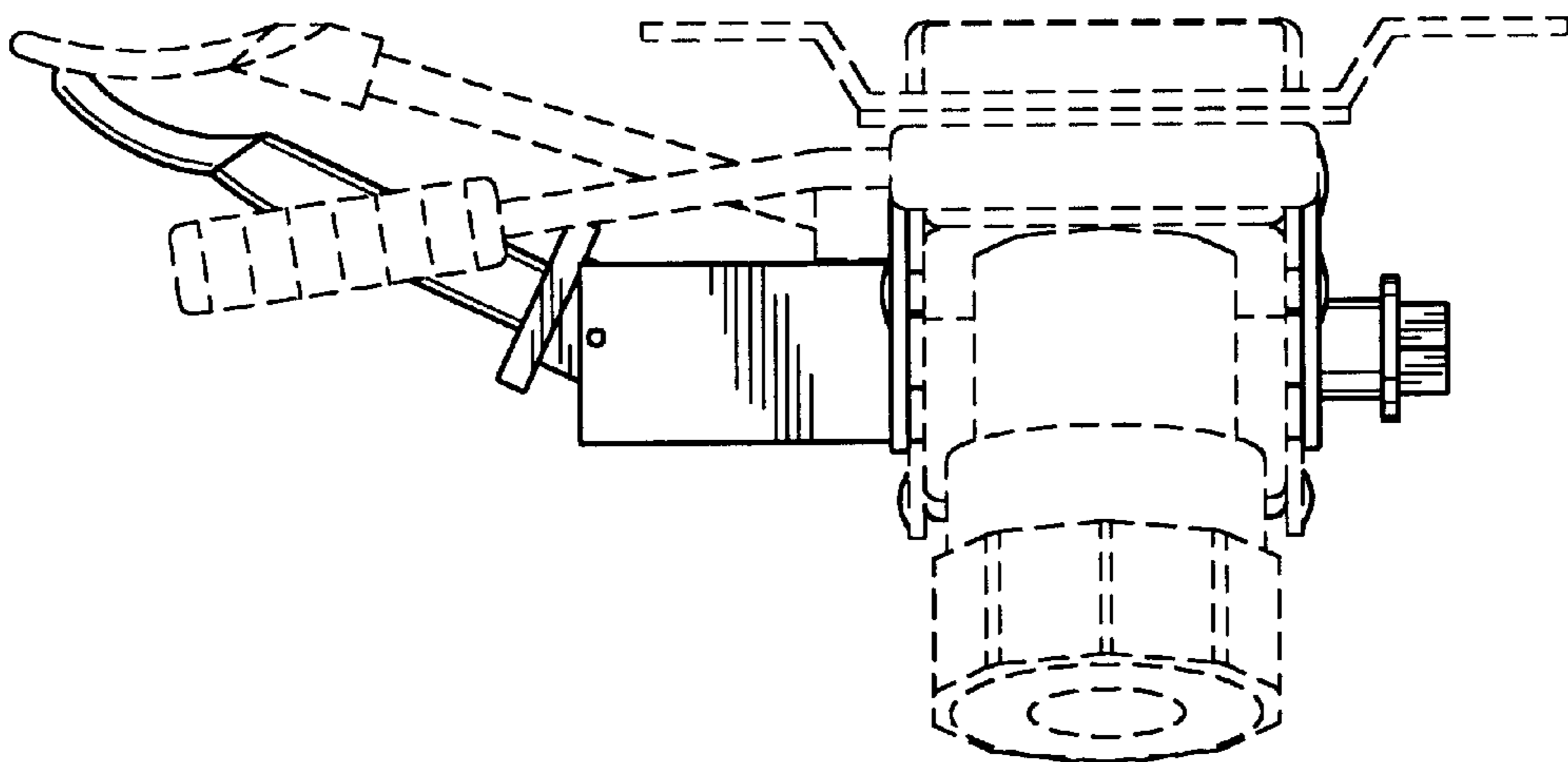


FIG. 5

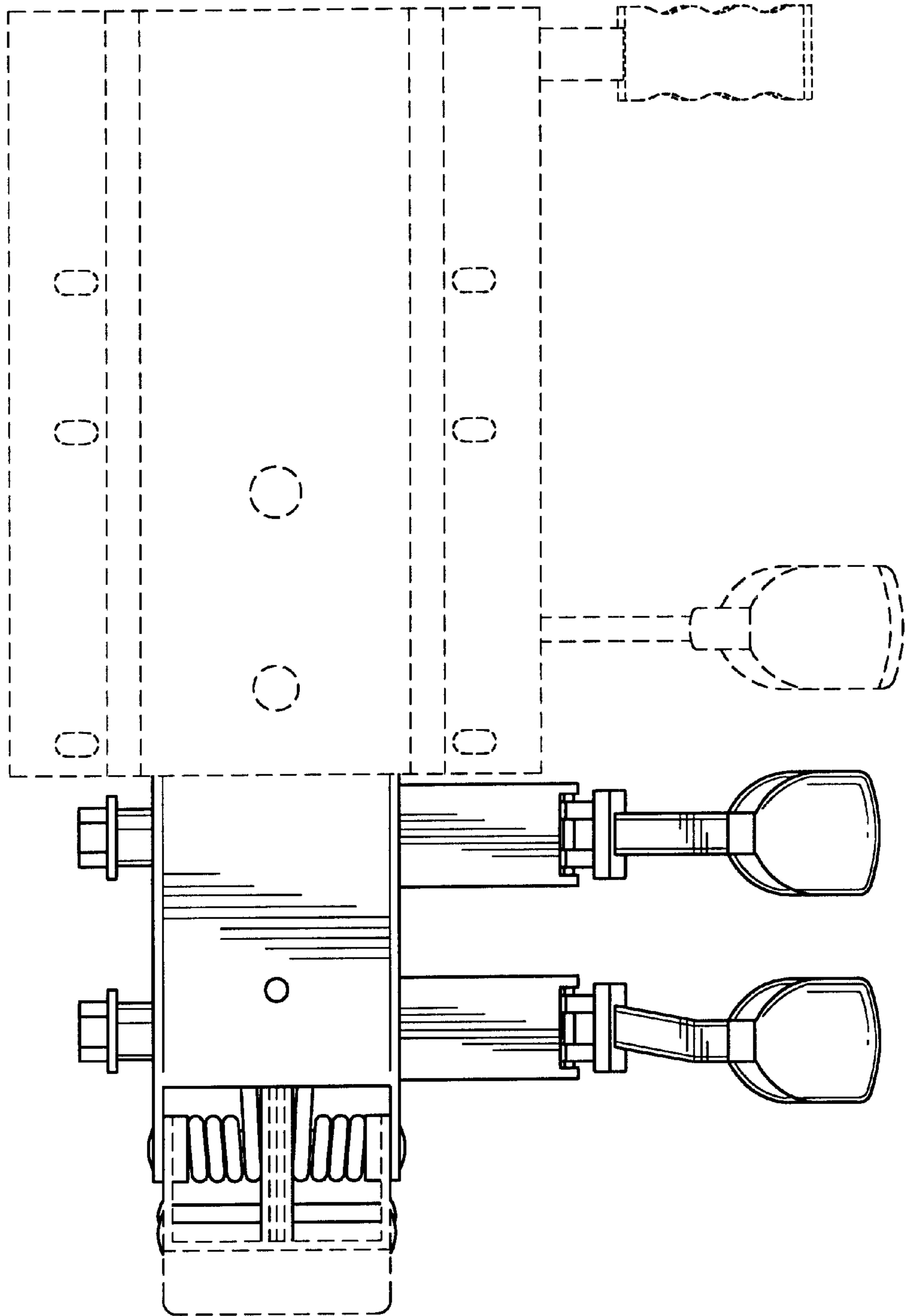


FIG. 6

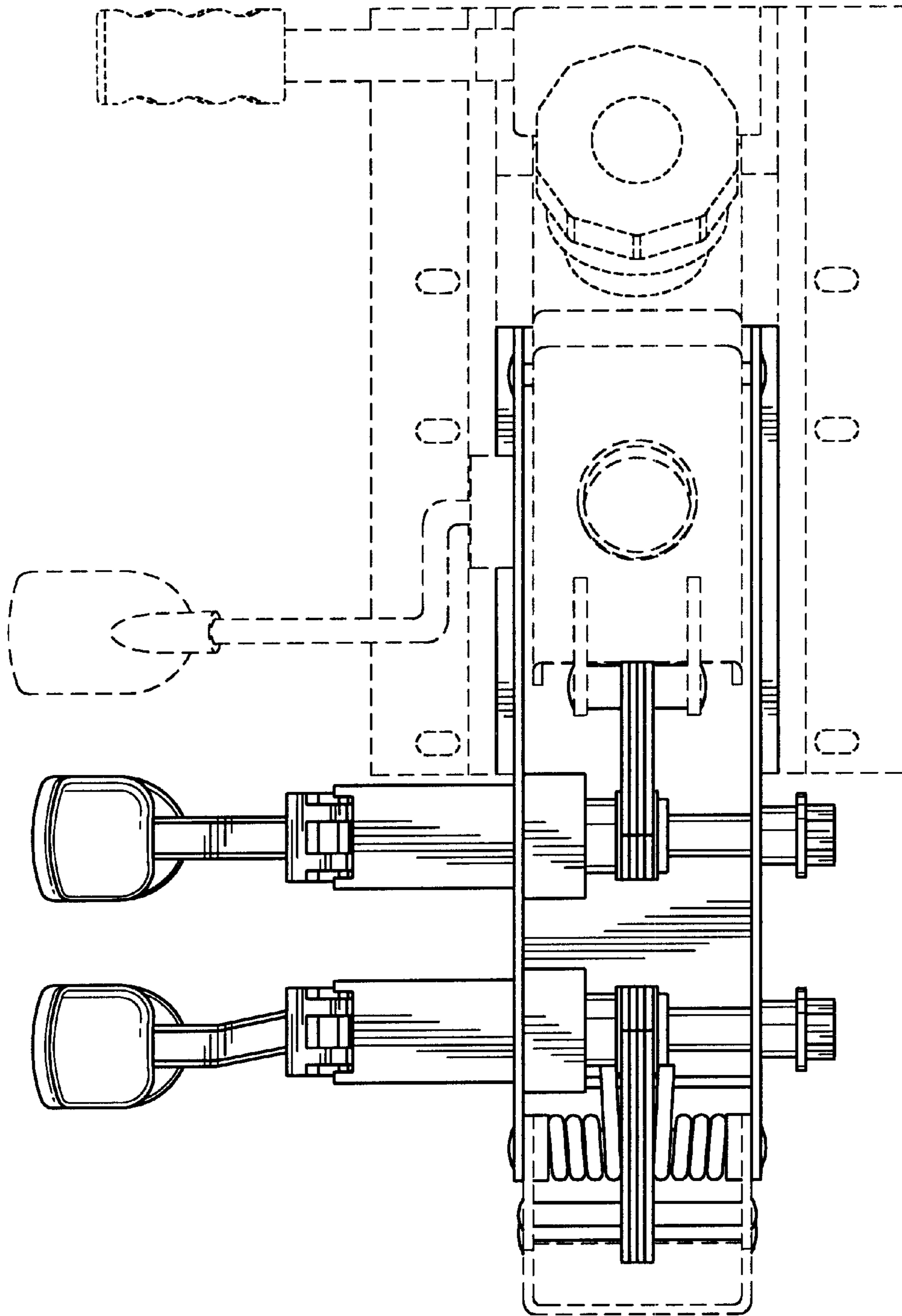


FIG. 7