



US00D483581S

(12) **United States Design Patent**  
**Chang**

(10) **Patent No.:** **US D483,581 S**

(45) **Date of Patent:** **\*\* Dec. 16, 2003**

(54) **TELEVISION SHELF**

(76) Inventor: **Wu-De Chang**, No. 27, Alley 43, Lane  
192, Sec. 1, Dong-Shan Rd., Taichung  
City (TW)

(\*\*) Term: **14 Years**

(21) Appl. No.: **29/169,085**

(22) Filed: **Oct. 15, 2002**

(51) **LOC (7) Cl.** ..... **06-04**

(52) **U.S. Cl.** ..... **D6/479**

(58) **Field of Search** ..... D6/396, 397, 630,  
D6/449, 465, 468, 474, 499, 476-479, 510,  
511; 108/59-61, 91-93, 147.11, 158.11;  
211/42, 43, 49.1, 85.26, 133.2, 134, 181.1,  
182, 188, 203; 312/7.2

(56) **References Cited**

**U.S. PATENT DOCUMENTS**

D371,259 S \* 7/1996 Herbst ..... D6/479  
D378,175 S \* 2/1997 Hamami ..... D6/479  
D402,486 S \* 12/1998 Wada et al. .... D6/479  
D405,630 S \* 2/1999 Wohlford ..... D6/479

D441,217 S \* 5/2001 Pepin et al. .... D6/436  
D451,307 S \* 12/2001 Dong ..... D6/474  
D467,099 S \* 12/2002 Antonioni ..... D6/479  
D472,073 S \* 3/2003 de Carolis ..... D6/479  
D472,074 S \* 3/2003 de Carolis ..... D6/479  
D472,075 S \* 3/2003 de Carolis ..... D6/479

\* cited by examiner

*Primary Examiner*—Cathron C. Brooks

(74) *Attorney, Agent, or Firm*—Charles E. Baxley

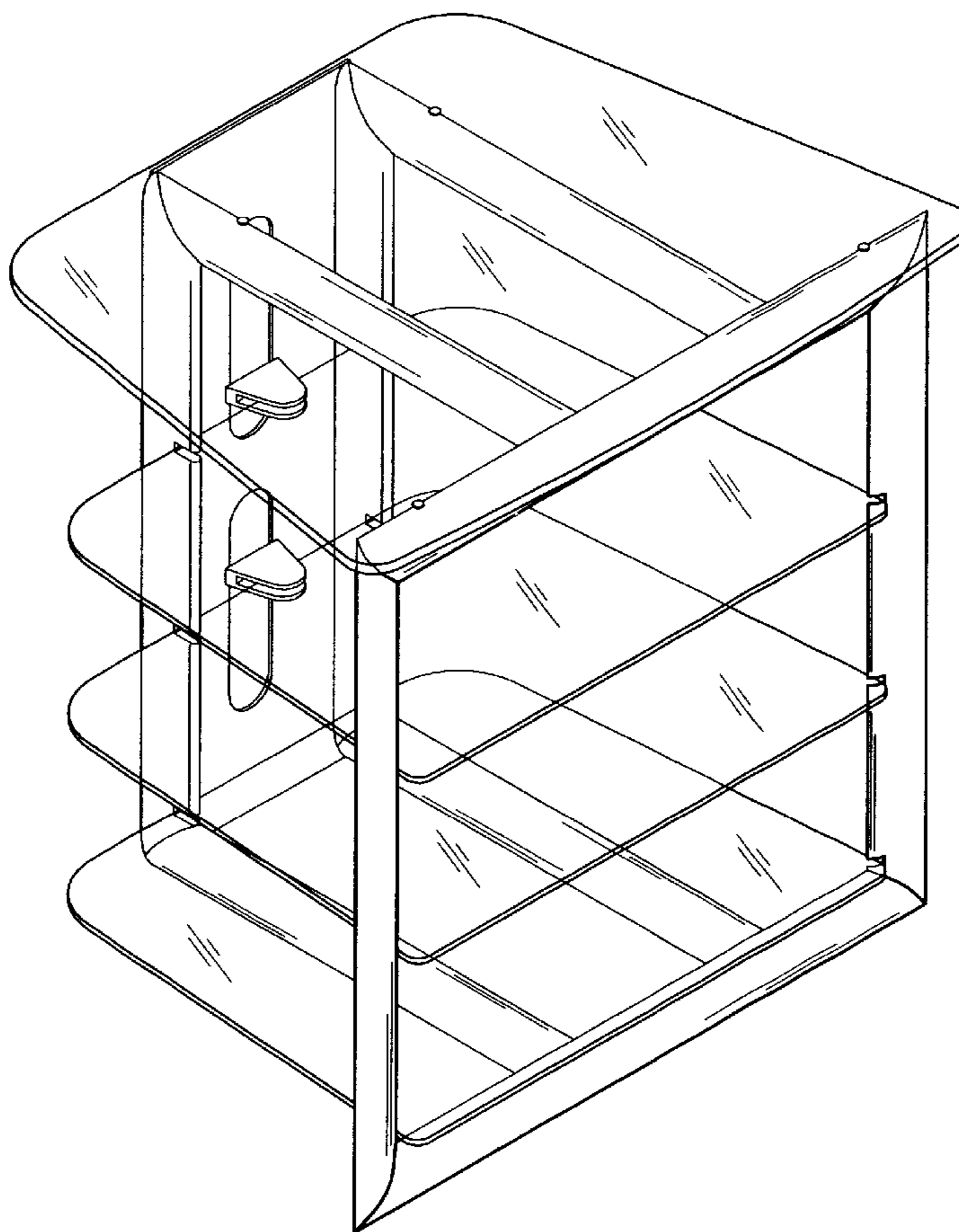
(57) **CLAIM**

The ornamental design for television shelf, as shown and described.

**DESCRIPTION**

FIG. 1 is a perspective view of a television shelf showing our new design thereof;  
FIG. 2 is a front elevational view thereof;  
FIG. 3 is a rear elevational view thereof;  
FIG. 4 is a left side elevational view thereof;  
FIG. 5 is a right side elevational view thereof;  
FIG. 6 is a top plan view thereof; and,  
FIG. 7 is a bottom plan view thereof.

**1 Claim, 4 Drawing Sheets**



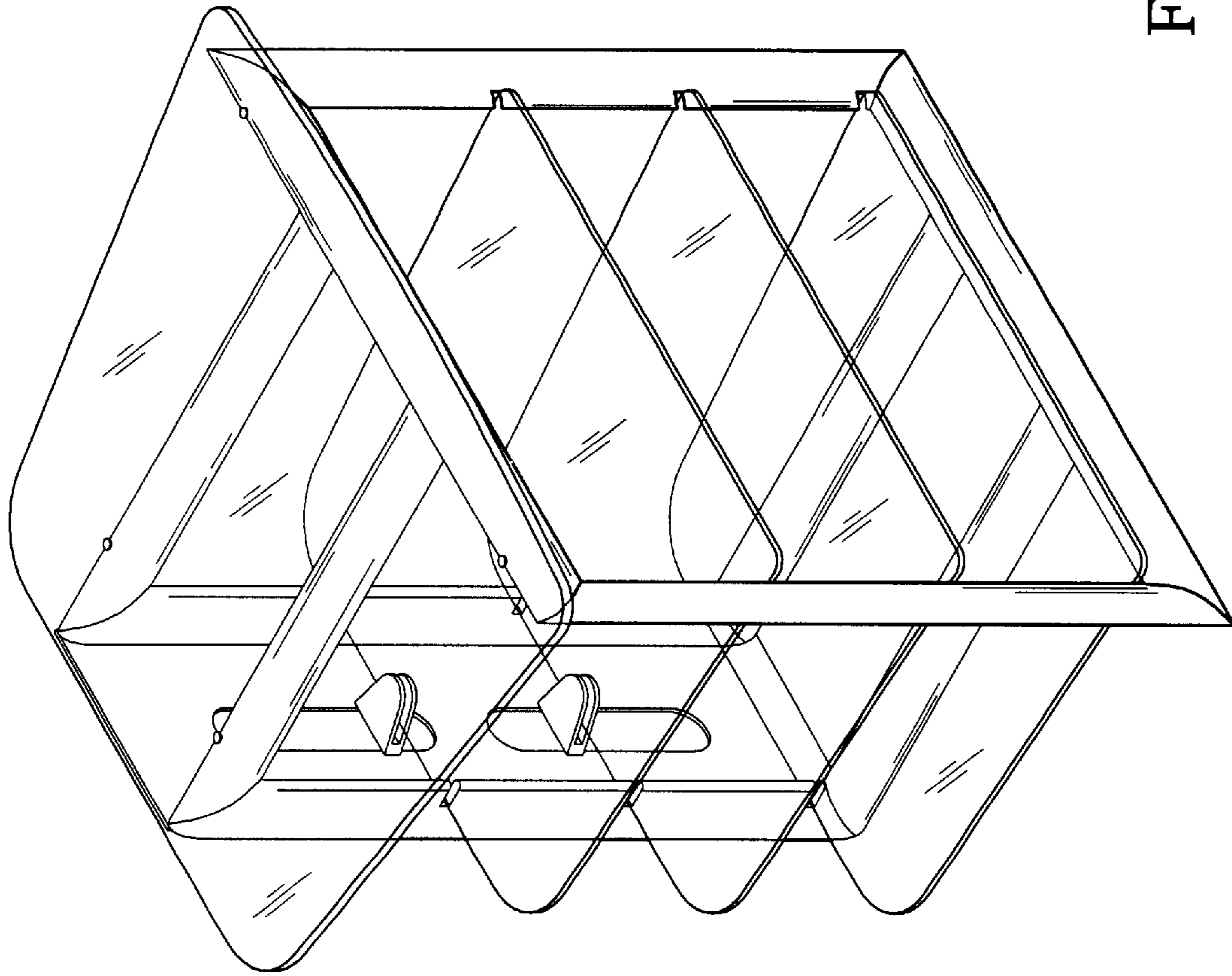


FIG. 1

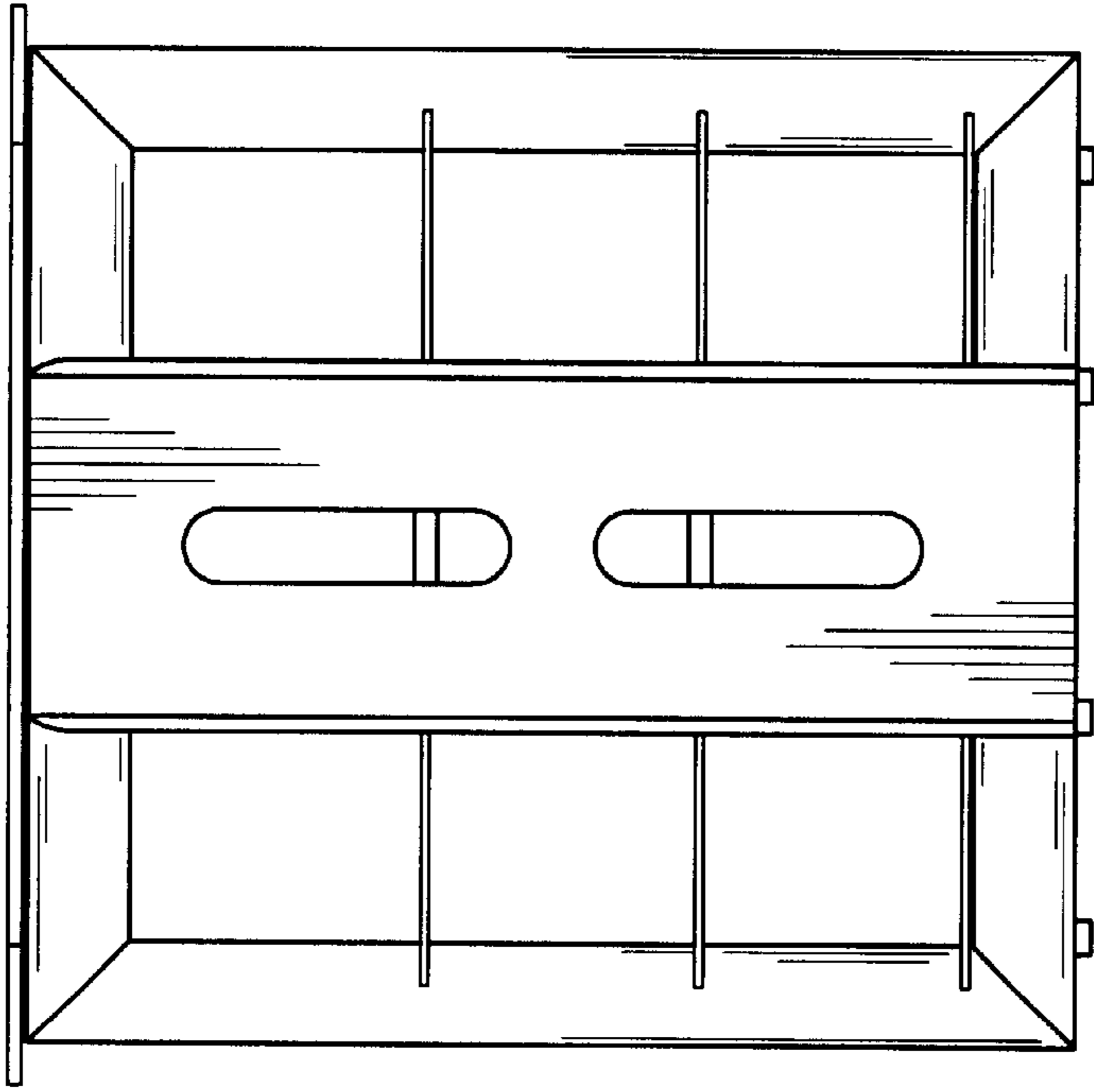


FIG. 3

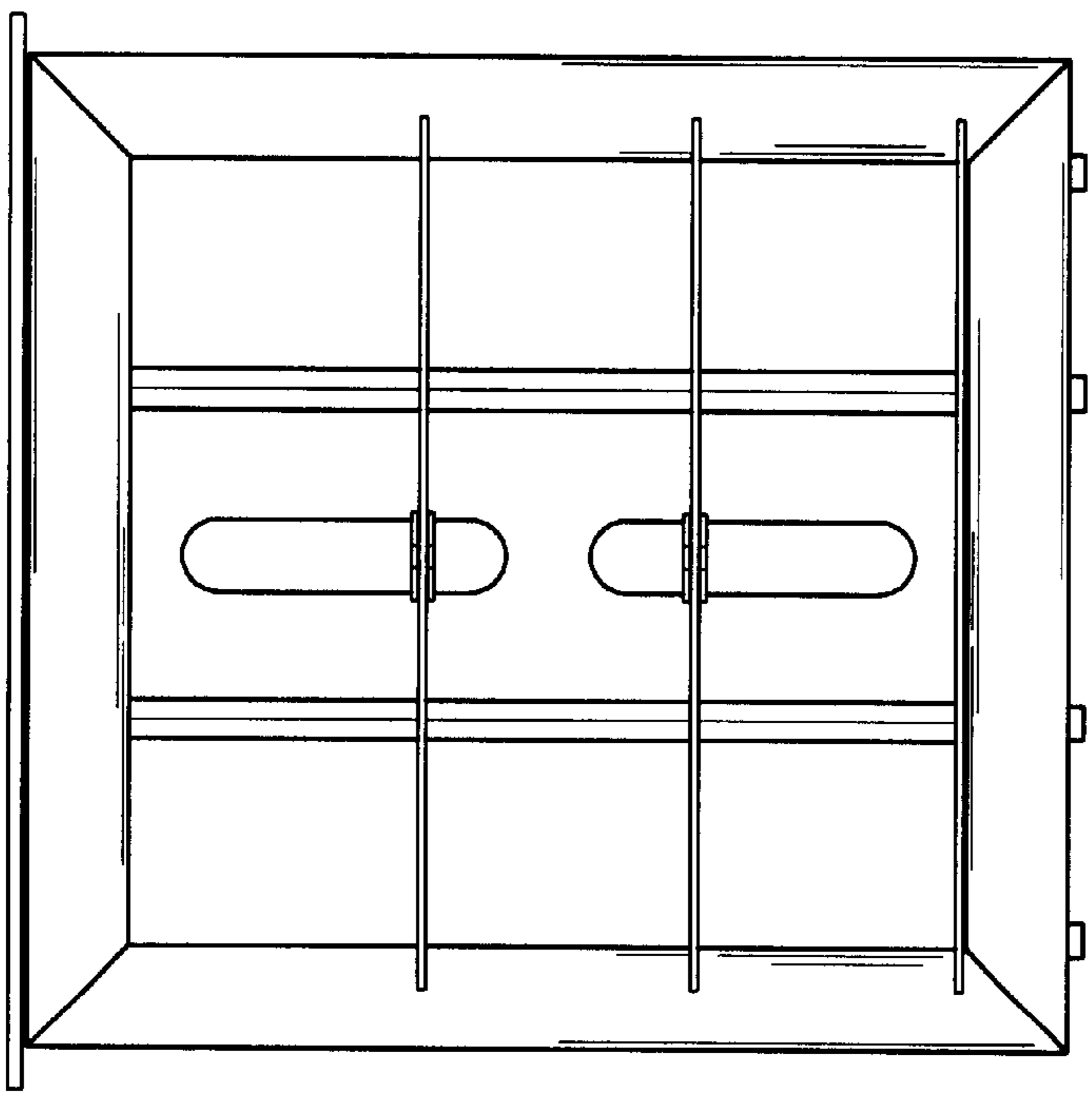


FIG. 2

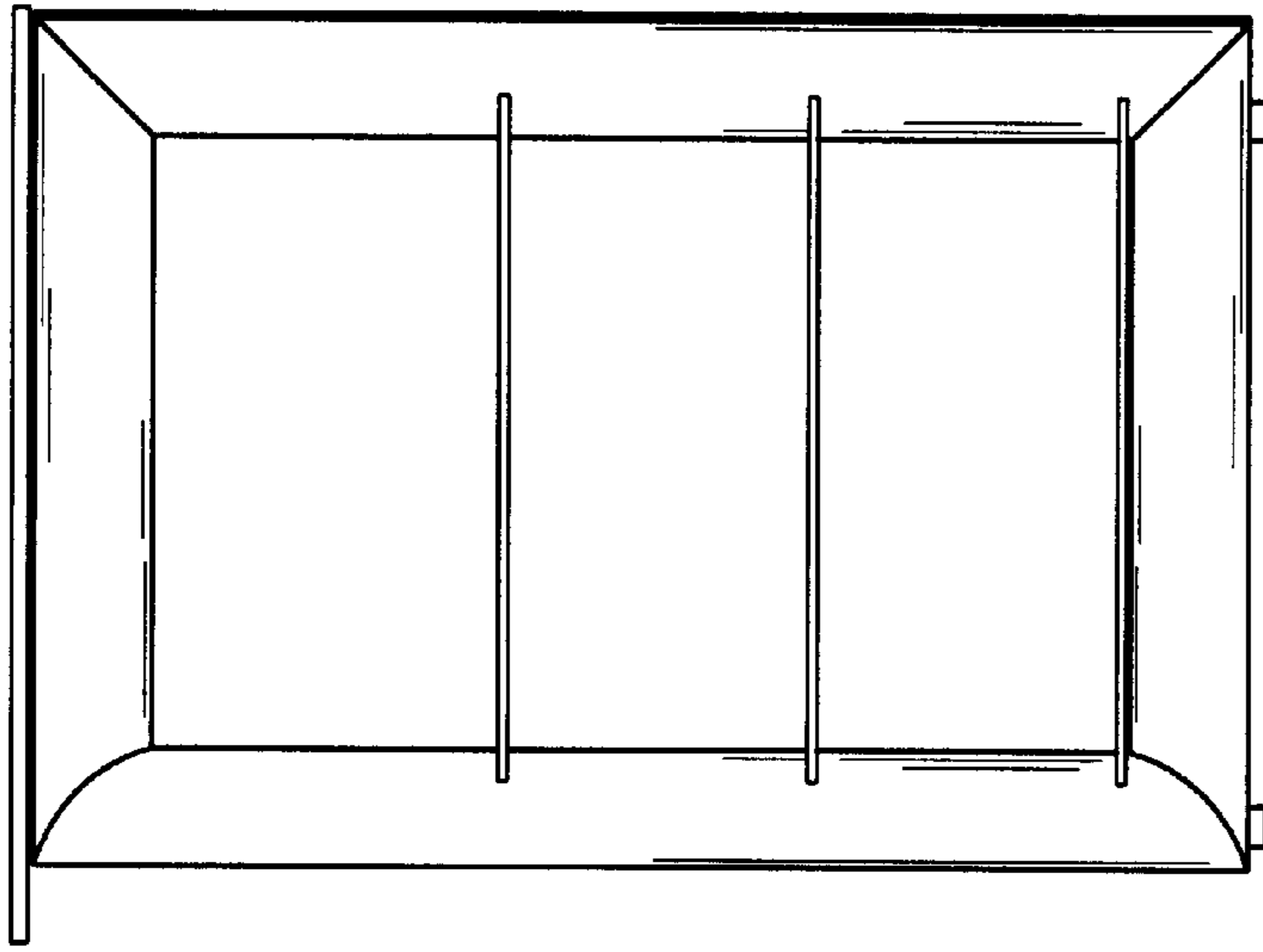


FIG. 5

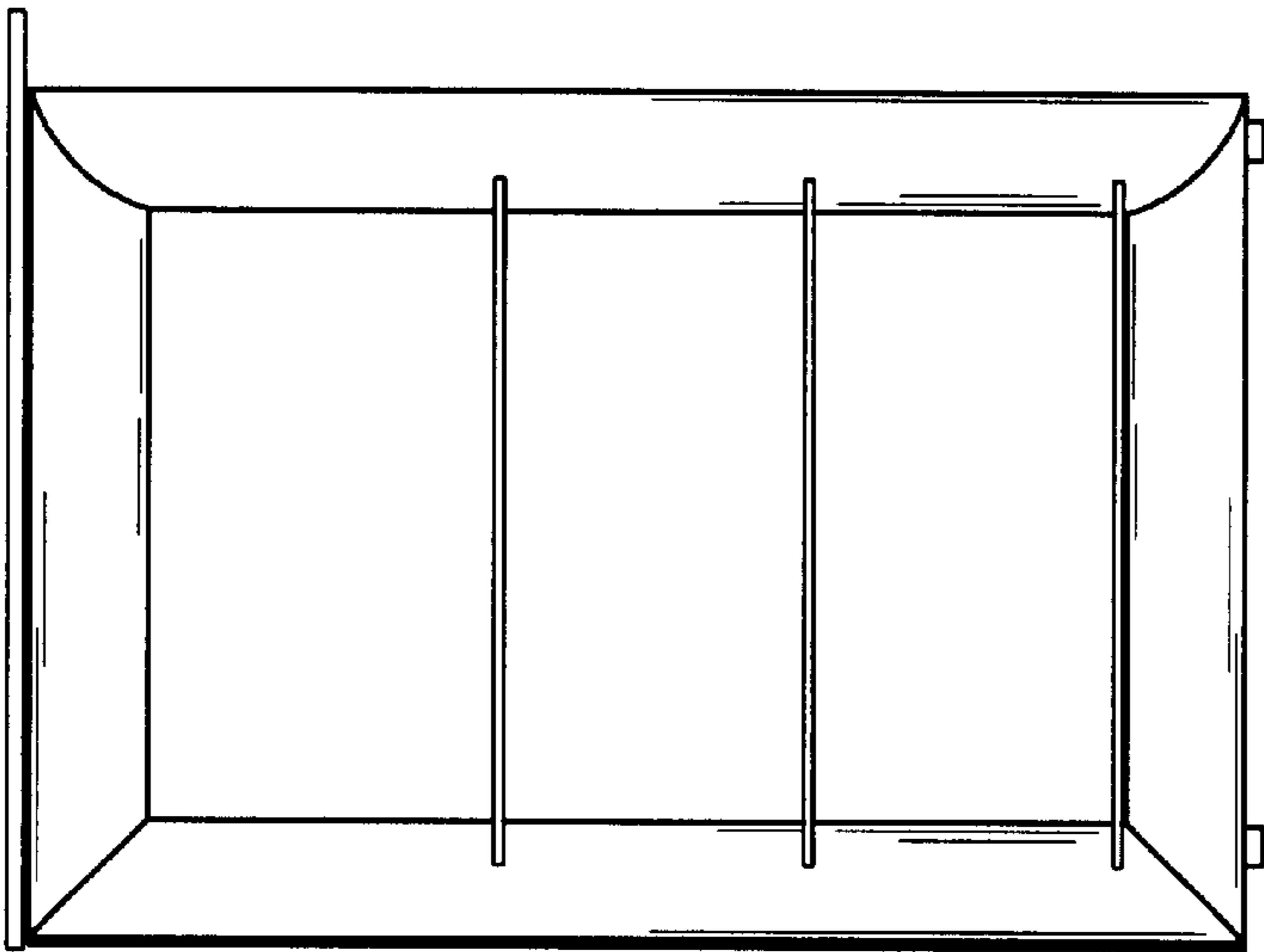


FIG. 4

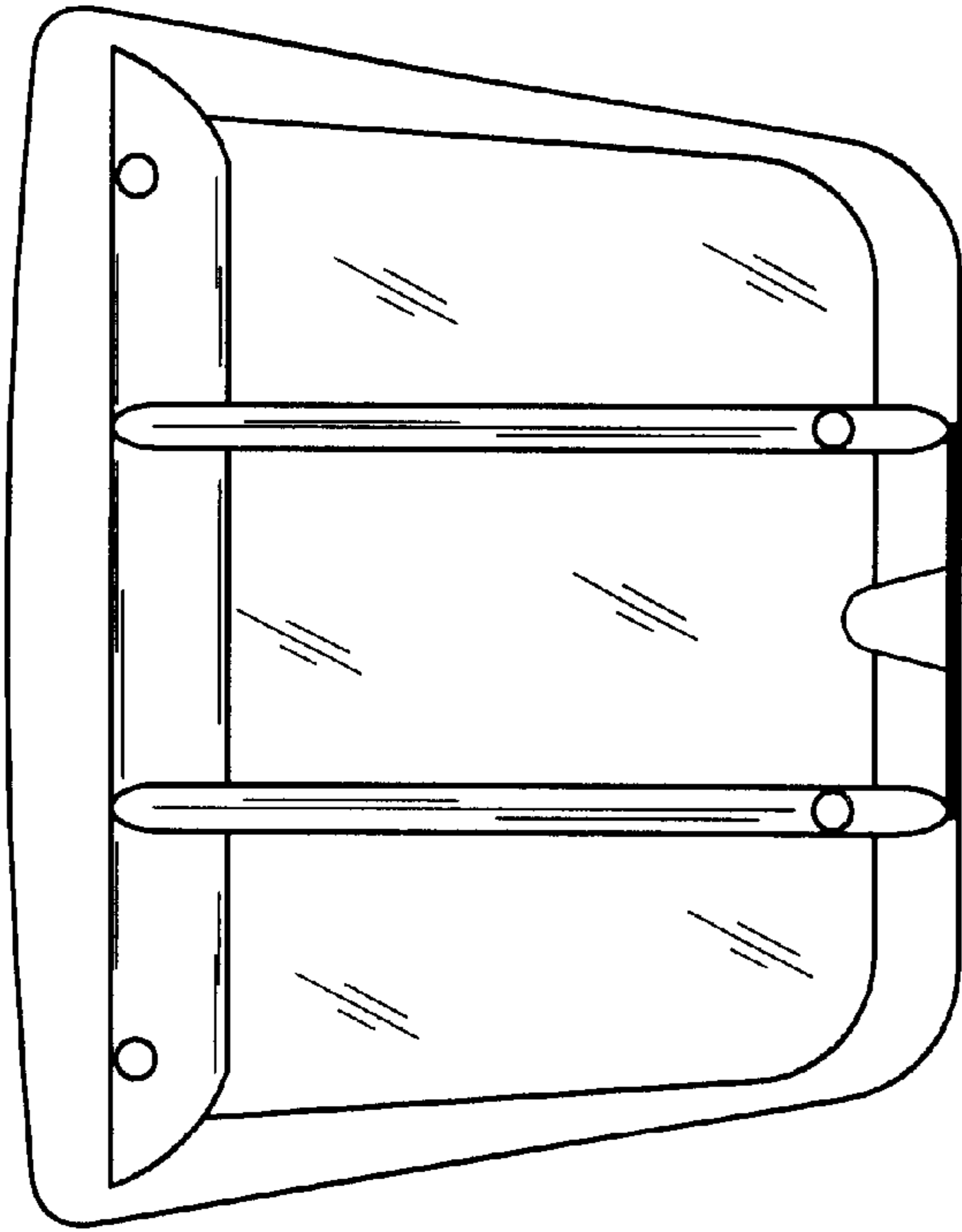


FIG. 6

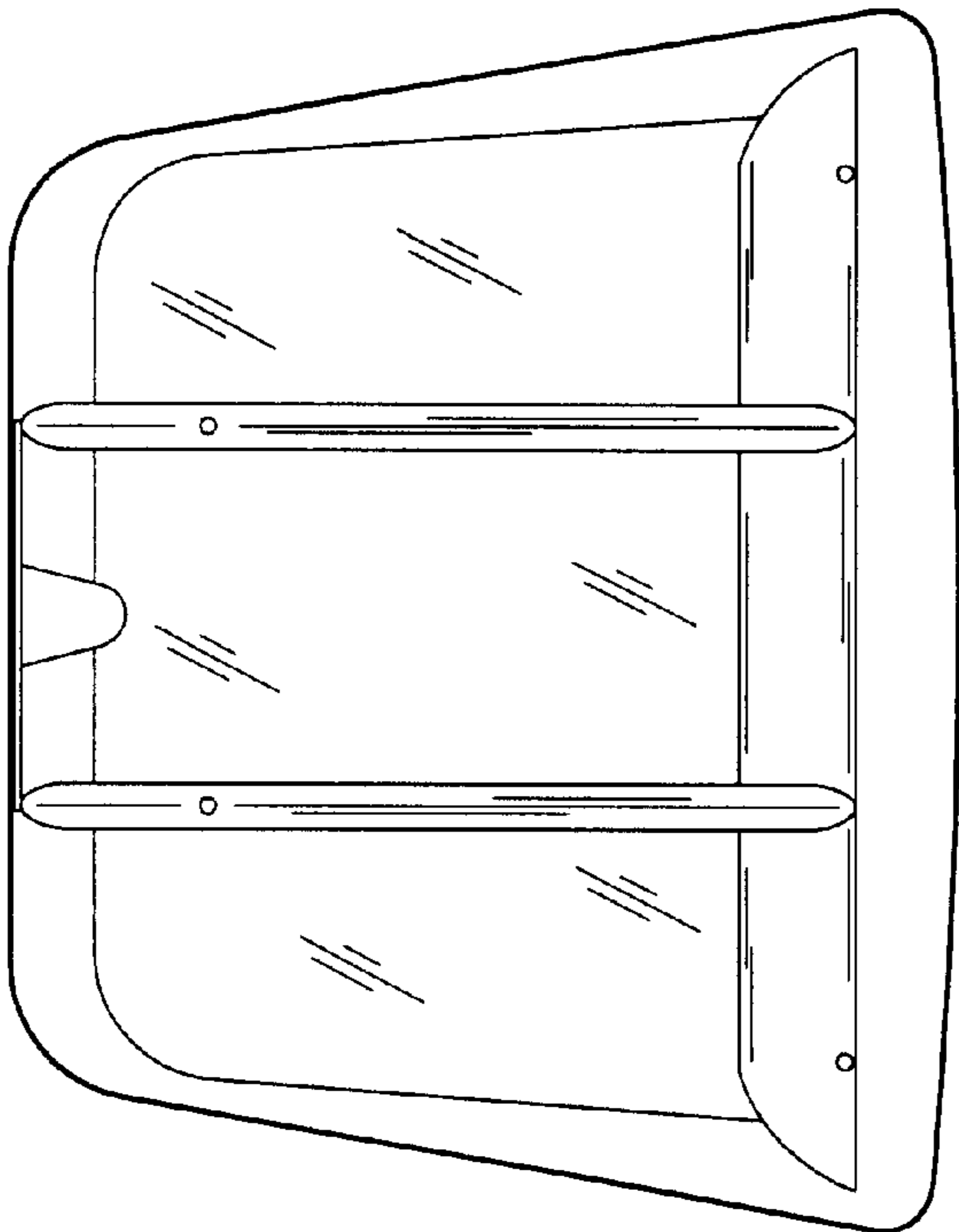


FIG. 7