



US00D483580S

(12) **United States Design Patent**
Hansen

(10) **Patent No.:** **US D483,580 S**

(45) **Date of Patent:** **** Dec. 16, 2003**

(54) **COMMEMORATIVE DISPLAY**

(75) **Inventor:** **Ries B. Hansen**, Grafton, WI (US)

(73) **Assignee:** **United States Patent Services, Inc.**,
Grafton, WI (US)

(**) **Term:** **14 Years**

(21) **Appl. No.:** **29/170,118**

(22) **Filed:** **Oct. 31, 2002**

(51) **LOC (7) Cl.** **06-04**

(52) **U.S. Cl.** **D6/470**

(58) **Field of Search** D6/470-472; D11/131,
D11/133, 157; 312/114

5,799,511 A	9/1998	Benderly
D409,246 S	* 5/1999	Fereday et al. D19/90 X
6,042,904 A	3/2000	Greenblat et al.
D423,796 S	5/2000	Kwan
D430,565 S	* 9/2000	Crane, Jr. et al. D11/131 X
6,205,692 B1	3/2001	Kite
D447,143 S	* 8/2001	Crane, Jr. et al. D14/439

* cited by examiner

Primary Examiner—Cathron C. Brooks

(74) *Attorney, Agent, or Firm*—Michael Best & Friedrich LLP

(57) **CLAIM**

The ornamental design for a commemorative display, as shown and described.

(56) **References Cited**

U.S. PATENT DOCUMENTS

2,023,260 A	* 12/1935	Beers et al.	312/114
2,548,706 A	* 4/1951	Corning	40/661
D229,458 S	* 12/1973	Schneider	D6/471 X
D269,075 S	5/1983	Dane	
4,546,019 A	10/1985	Schneider	
D306,377 S	3/1990	Cotutsca	
D351,518 S	* 10/1994	Burgess	D6/470
D357,704 S	4/1995	Wolff	
5,419,940 A	5/1995	Wood et al.	
D375,916 S	11/1996	Cotner	
5,704,103 A	1/1998	Crowley et al.	

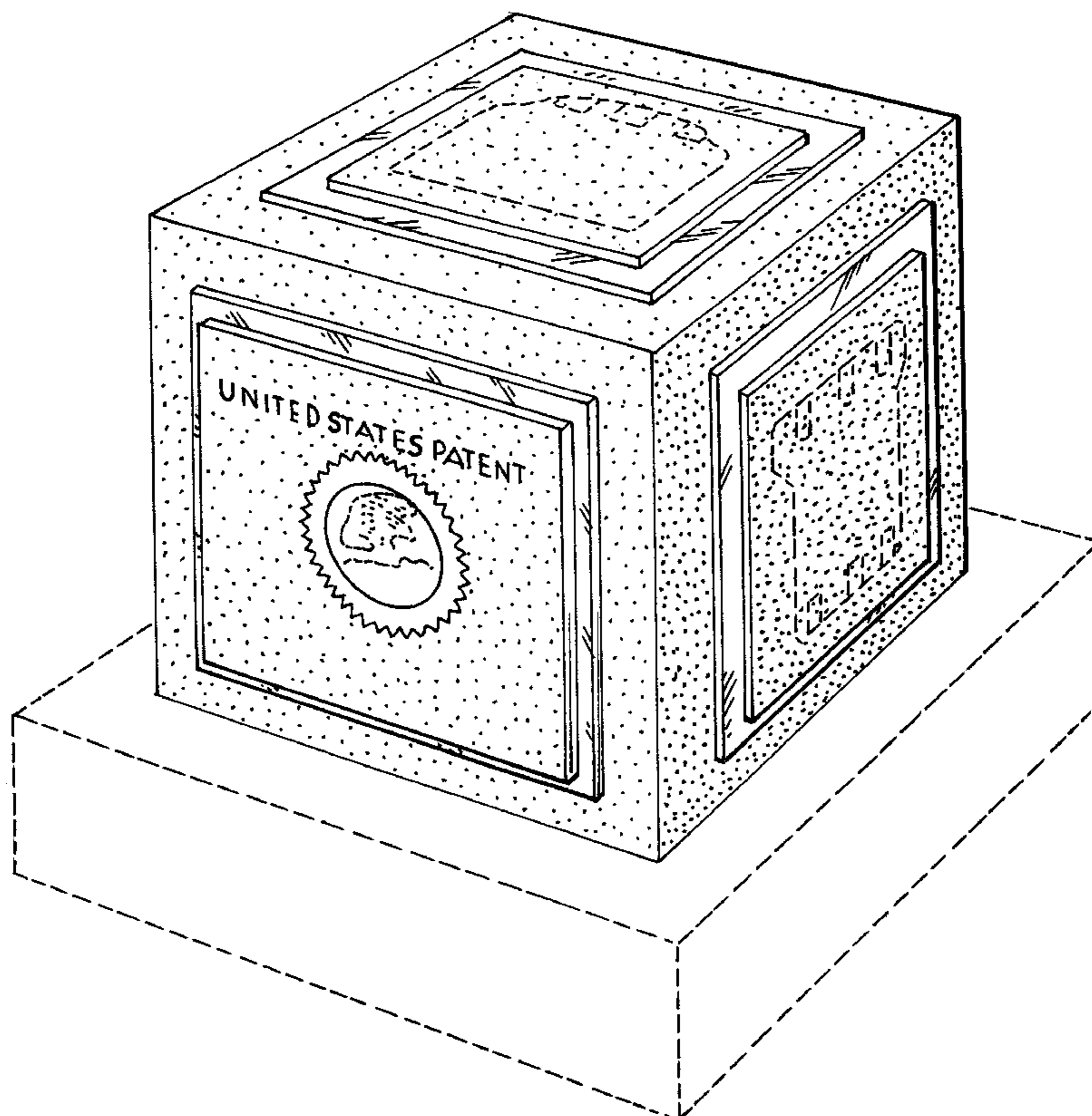
DESCRIPTION

FIG. 1 is a perspective view of a commemorative display embodying the present invention.

FIG. 2 is a side view of the design illustrated in FIG. 1; and, FIG. 3 is an opposite perspective view of the design illustrated in FIG. 1.

The broken line showing of the environment is for illustrative purposes only and forms no part of the claimed design. The broken line images on the surfaces of the display are patent drawings and also form no part of the claimed design.

1 Claim, 3 Drawing Sheets



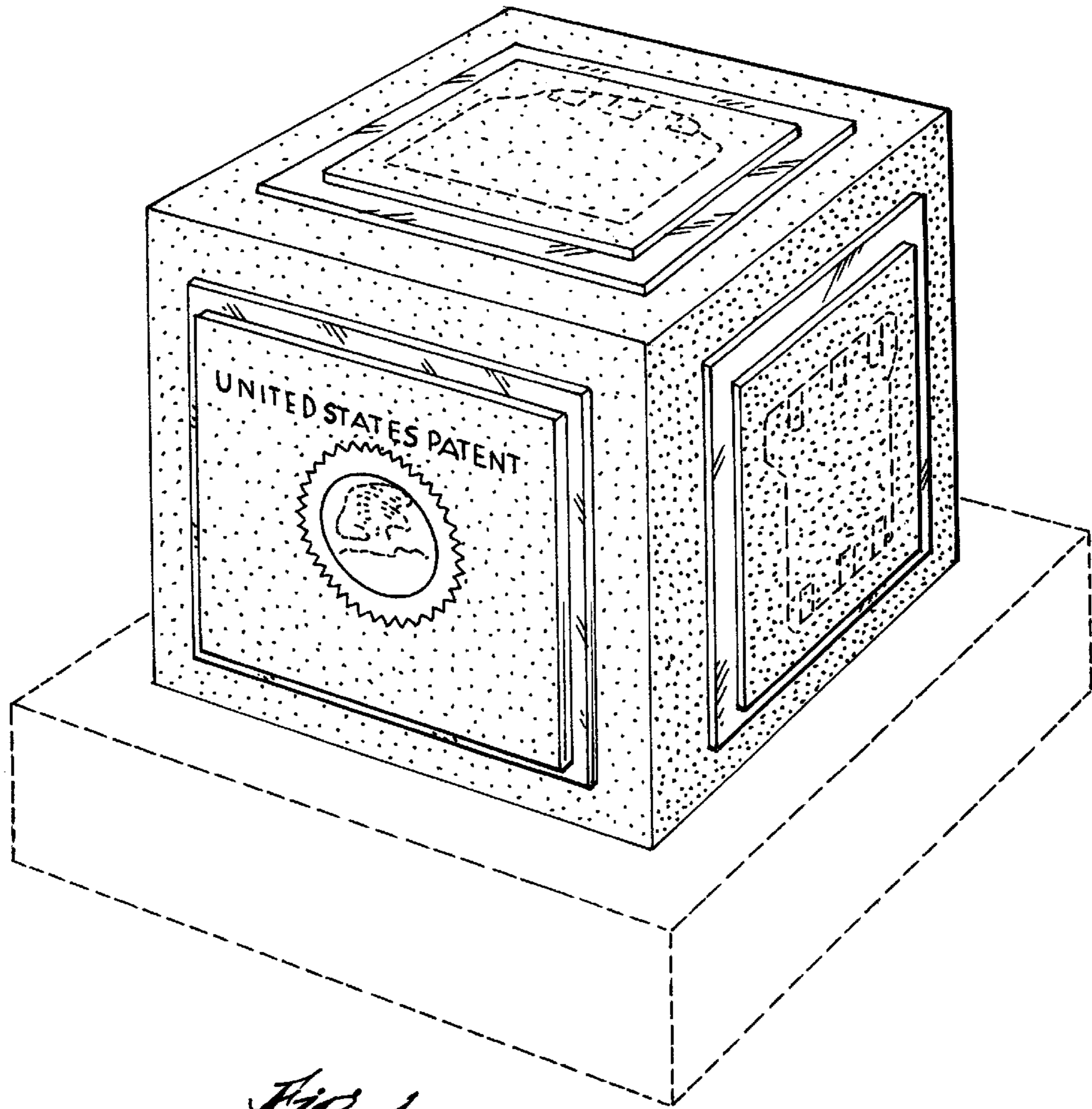


Fig. 1

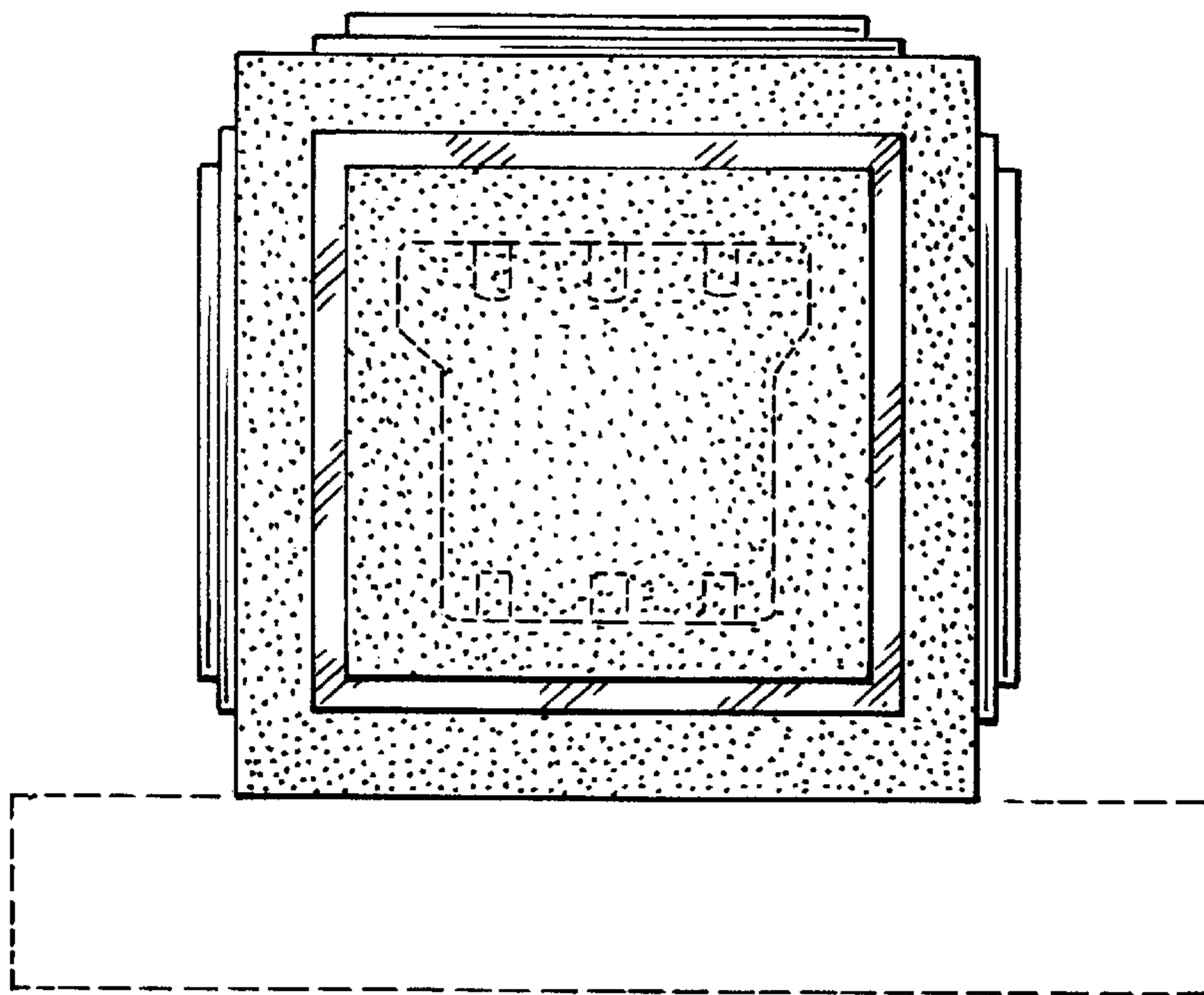


Fig. 2.

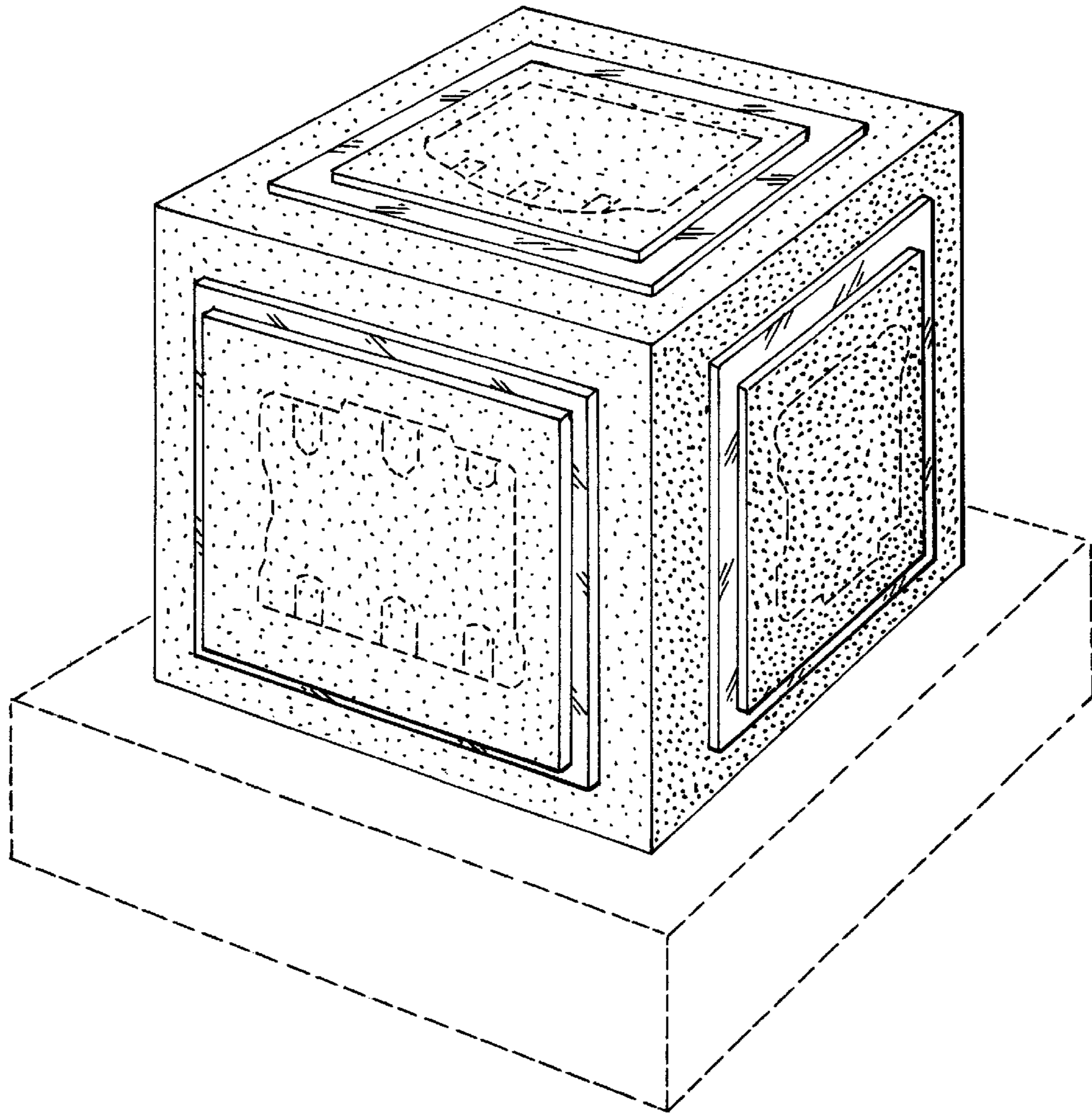


Fig. 3