



US00D483579S

(12) **United States Design Patent**
Frankelton

(10) **Patent No.:** **US D483,579 S**

(45) **Date of Patent:** **** Dec. 16, 2003**

(54) **PATIO CART**

D345,871 S * 4/1994 Anderson D6/405

(76) Inventor: **John Frankelton**, 9272 Hidden Valley Dr., Villa Park, CA (US) 92861

* cited by examiner

(**) Term: **14 Years**

Primary Examiner—Cathron C. Brooks

(74) *Attorney, Agent, or Firm*—G. Donald Weber, Jr.

(21) Appl. No.: **29/176,165**

(57) **CLAIM**

(22) Filed: **Feb. 20, 2003**

The ornamental design for a patio cart, as shown and described.

(51) **LOC (7) Cl.** **06-04**

DESCRIPTION

(52) **U.S. Cl.** **D6/462; D6/469; D34/17**

(58) **Field of Search** D6/409–415, 449, D6/454–458, 461–469, 473–475, 509–511; D34/12, 17, 21; 108/103, 105, 139; 211/41.2, 41.7, 42, 51, 70, 85.1, 85.2, 88.3, 88.01, 126.15, 126.9, 131.1, 133.2, 163, 181.1, 201, 205

FIG. 1 is a perspective view of the patio cart of the instant invention.

FIG. 2 is a side view of the patio cart of the instant invention. The opposite side view is the mirror image.

FIG. 3 is the front view of the patio cart of the instant invention.

FIG. 4 is the rear view of the patio cart of the instant invention.

FIG. 5 is the top view of the patio cart of the instant invention; and,

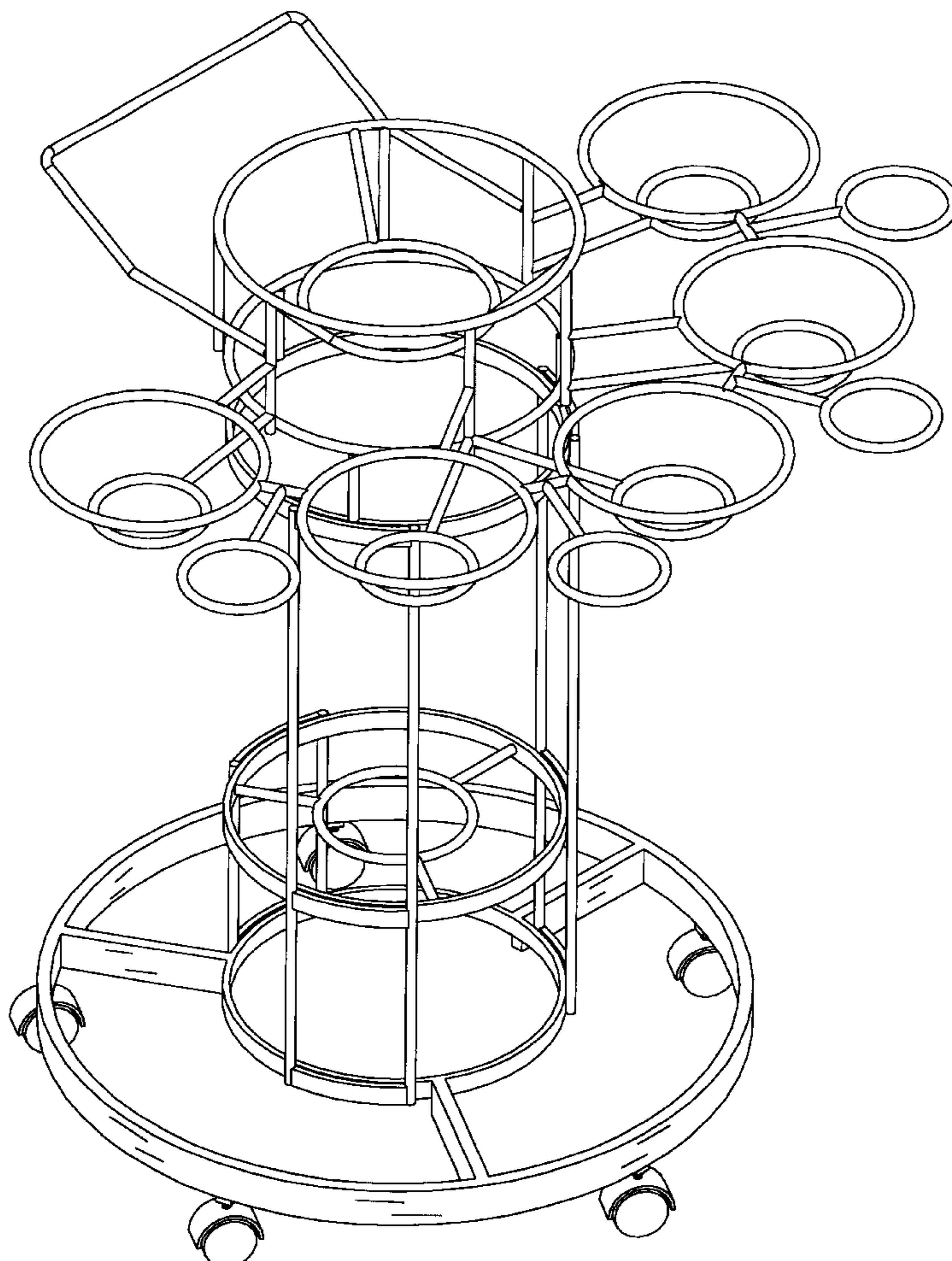
FIG. 6 is the bottom view of the patio cart of the instant invention.

(56) **References Cited**

U.S. PATENT DOCUMENTS

- D166,528 S * 4/1952 Cole D6/458
- D204,718 S * 5/1966 Marchetti D6/458
- D244,571 S * 6/1977 Cowan, Jr. D6/405
- D302,889 S * 8/1989 Goodwin D34/21

1 Claim, 6 Drawing Sheets



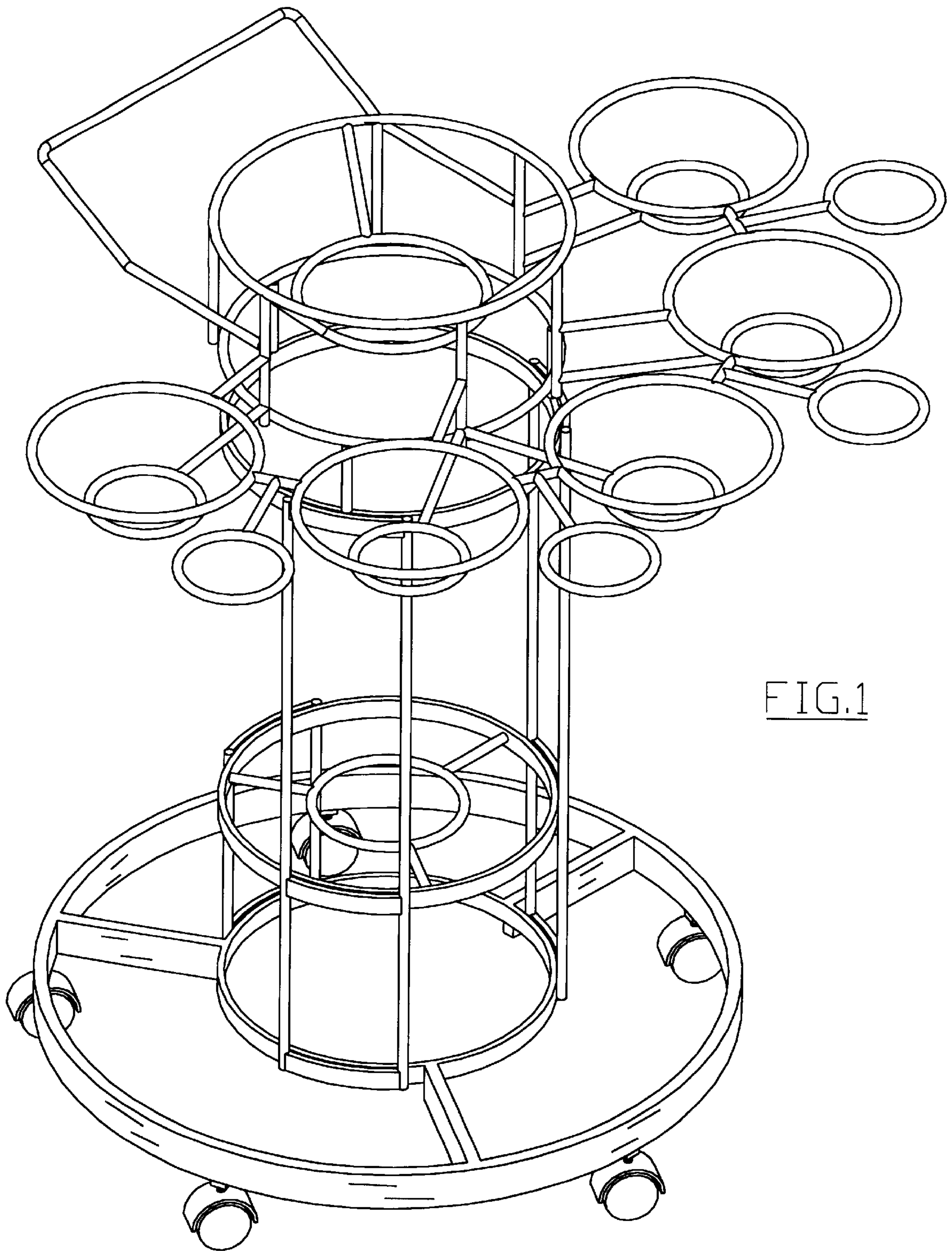


FIG. 1

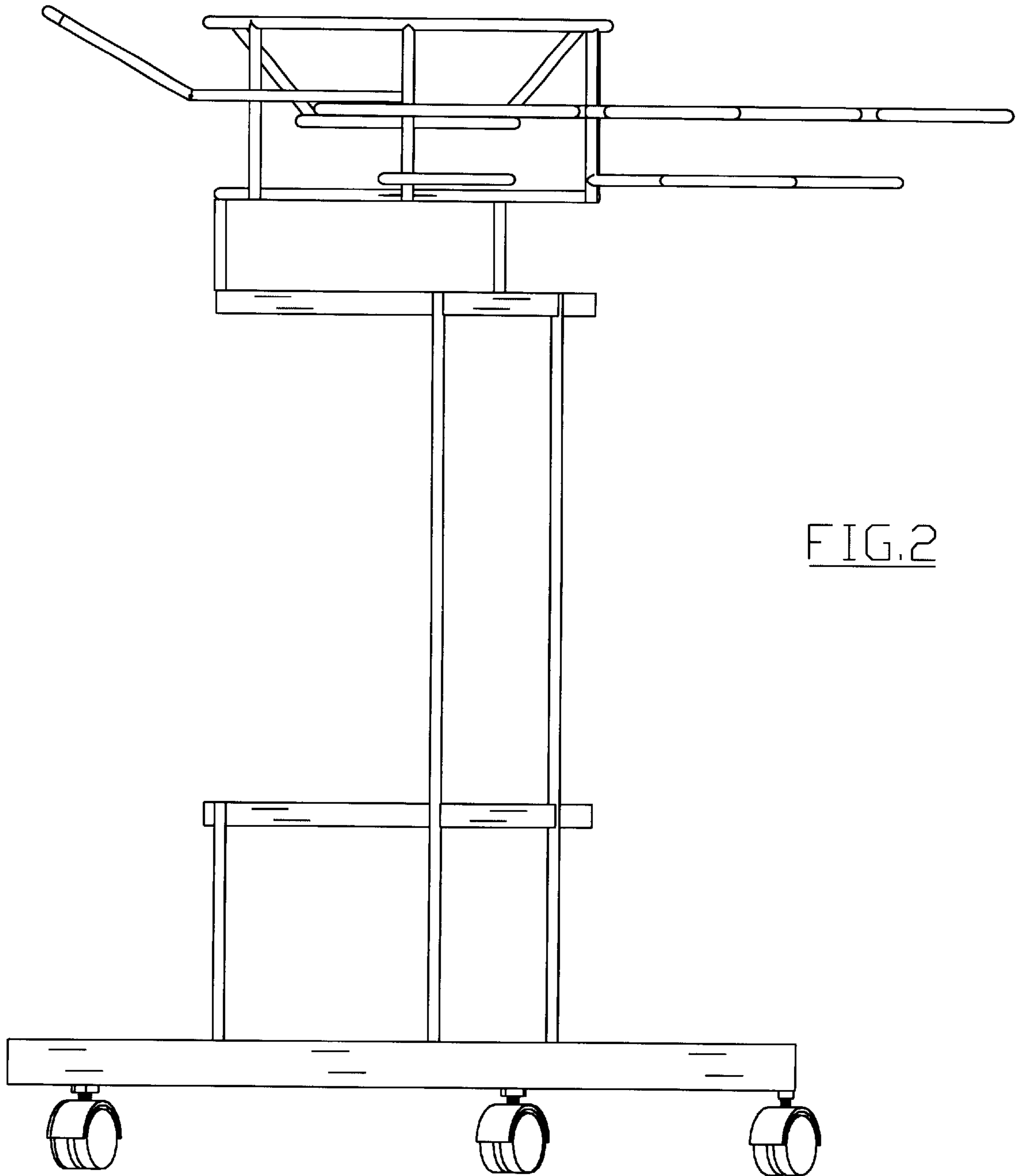


FIG.2

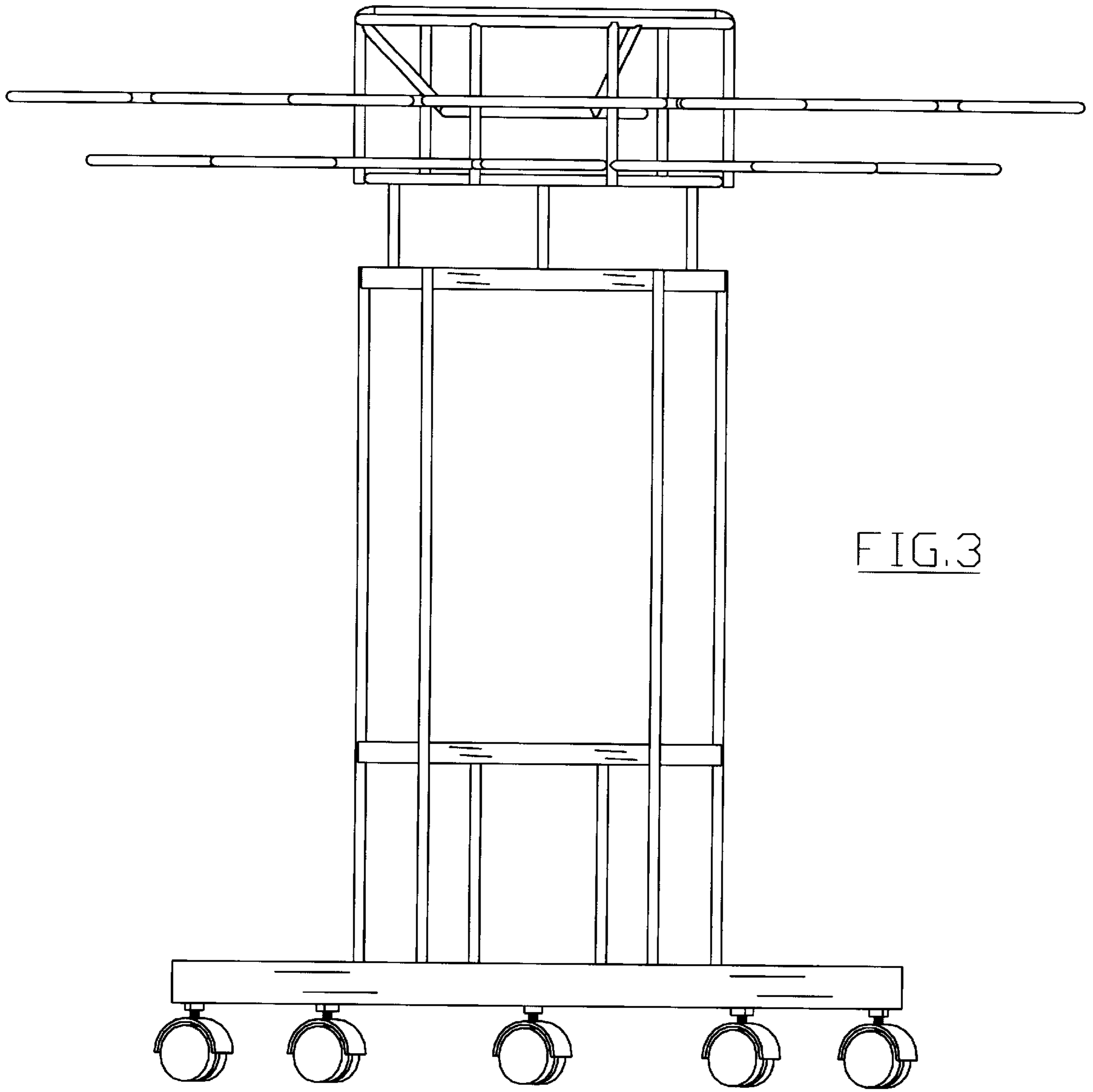


FIG.3

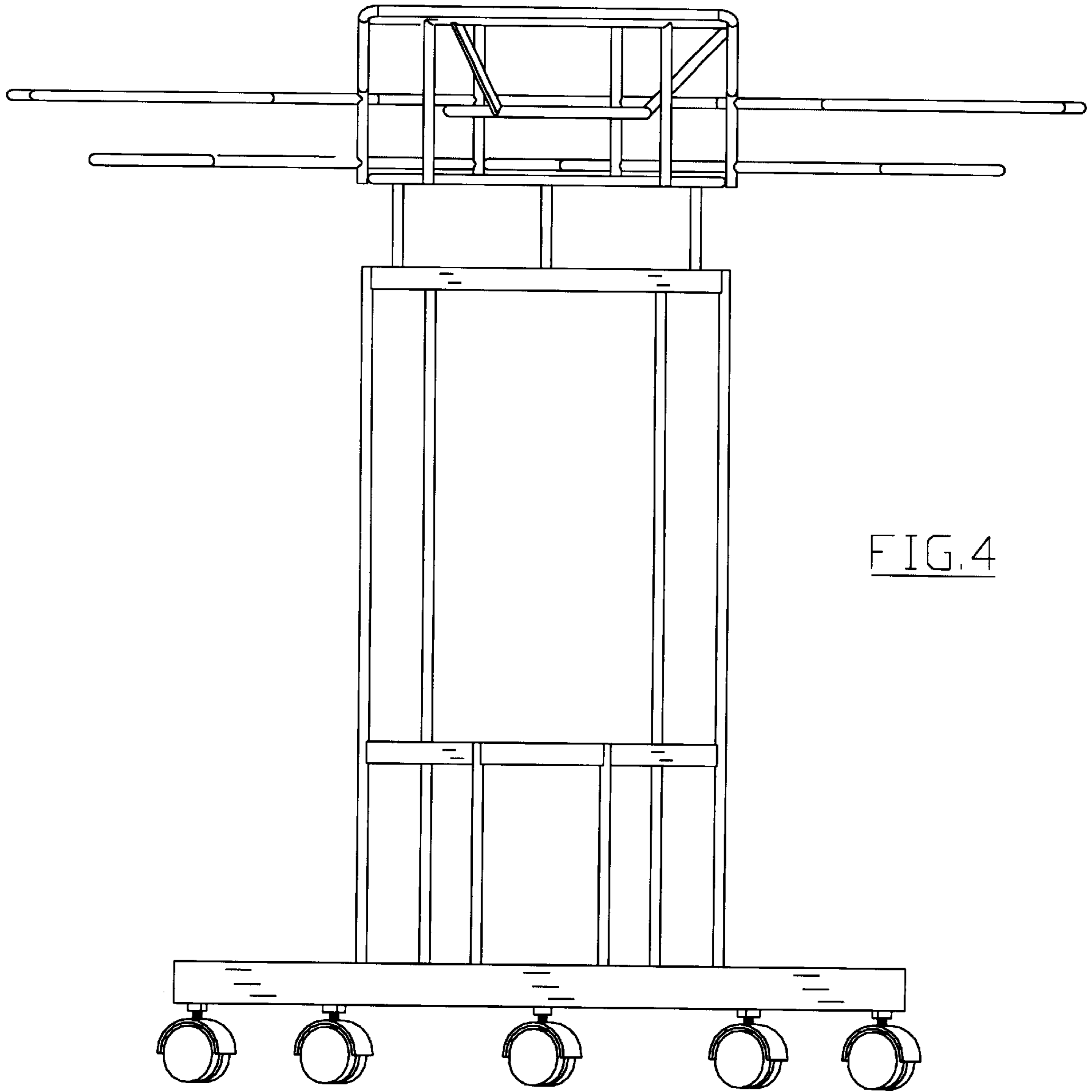


FIG.4

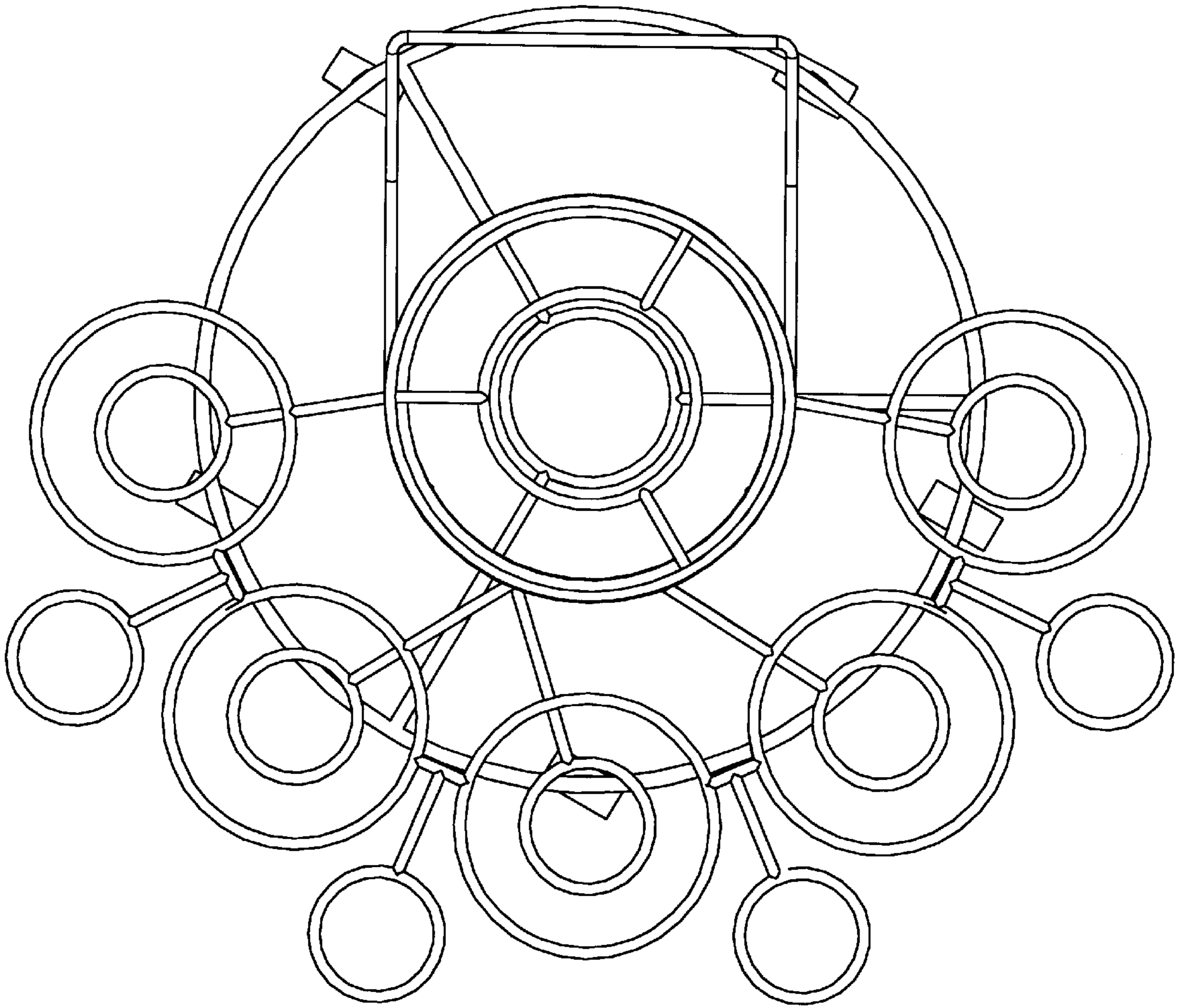


FIG.5

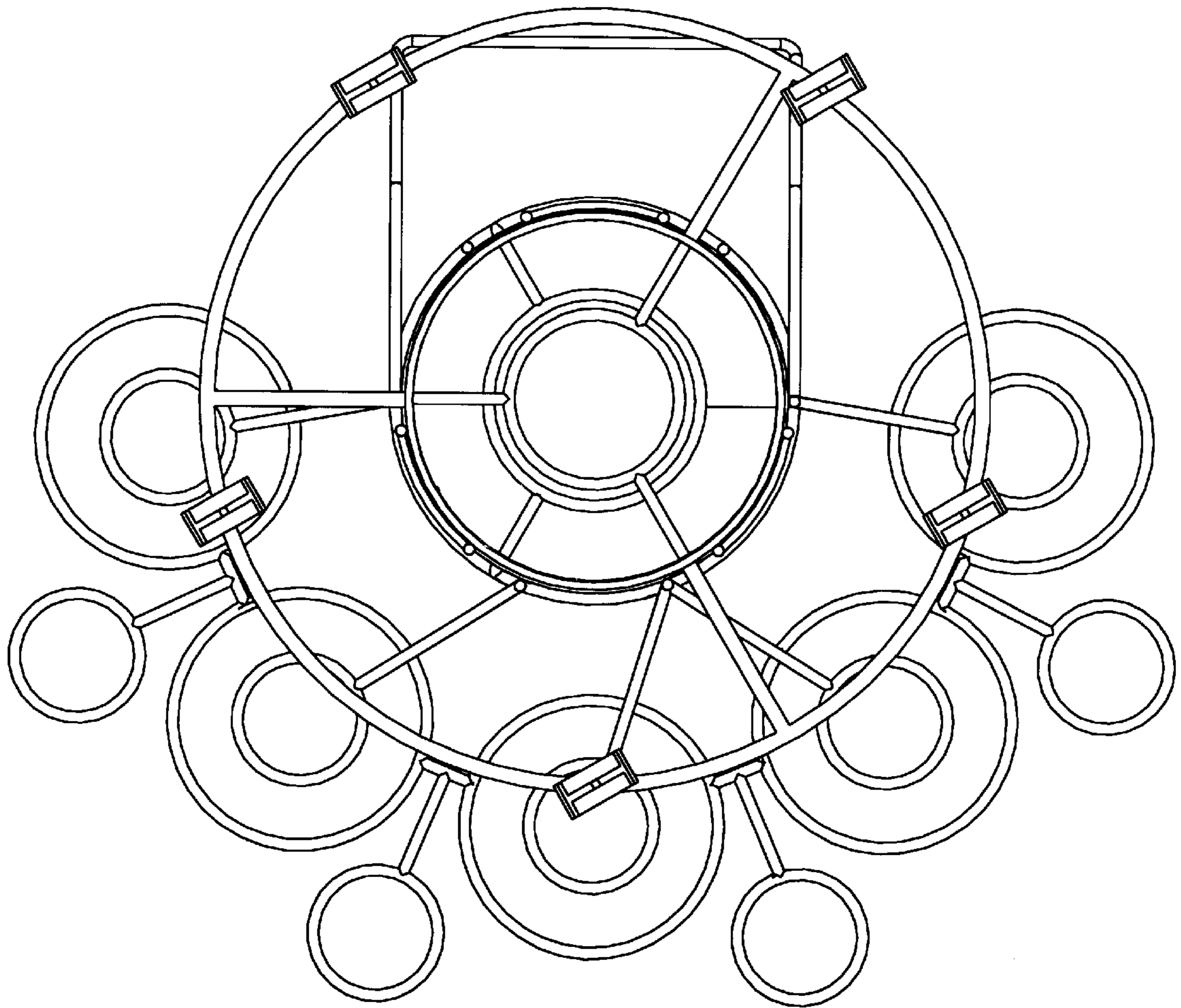


FIG.6

UNITED STATES PATENT AND TRADEMARK OFFICE
CERTIFICATE OF CORRECTION

PATENT NO. : Des. 483,579 S
DATED : December 16, 2003
INVENTOR(S) : John Frackelton

Page 1 of 1

It is certified that error appears in the above-identified patent and that said Letters Patent is hereby corrected as shown below:

Title page,

Item [75], Inventor, please change "**Frankelton**" to -- **Frackelton** --

Signed and Sealed this

Thirteenth Day of April, 2004

A handwritten signature in black ink that reads "Jon W. Dudas". The signature is written in a cursive style with a large, looped initial "J".

JON W. DUDAS
Acting Director of the United States Patent and Trademark Office