



US00D483578S

(12) **United States Design Patent**
Sparkowski

(10) **Patent No.:** **US D483,578 S**

(45) **Date of Patent:** **** Dec. 16, 2003**

(54) **TRAIN DISPLAY**

(75) Inventor: **Robert P. Sparkowski**, Schaumburg, IL (US)

(73) Assignee: **Chicago Display Marketing Corporation**, Melrose Park, IL (US)

(**) Term: **14 Years**

(21) Appl. No.: **29/166,737**

(22) Filed: **Sep. 3, 2002**

(51) **LOC (7) Cl.** **06-04**

(52) **U.S. Cl.** **D6/450**

(58) **Field of Search** D6/449, 450; 312/204

(56) **References Cited**

U.S. PATENT DOCUMENTS

D282,032 S * 1/1986 Lemmeyer D6/440

D397,560 S * 9/1998 Socha et al. D6/450

* cited by examiner

Primary Examiner—Cathron C. Brooks

(74) *Attorney, Agent, or Firm*—Vedder Price Kaufman & Kammholz

(57) **CLAIM**

The ornamental design of the train display, as shown and described.

DESCRIPTION

FIG. 1 is a perspective view of the train display showing my new design;

FIG. 2 is a side view of my invention;

FIG. 3 is a view of the other side of my invention;

FIG. 4 is a top view of my invention;

FIG. 5 is a front view of my invention;

FIG. 6 is a rear view of my invention;

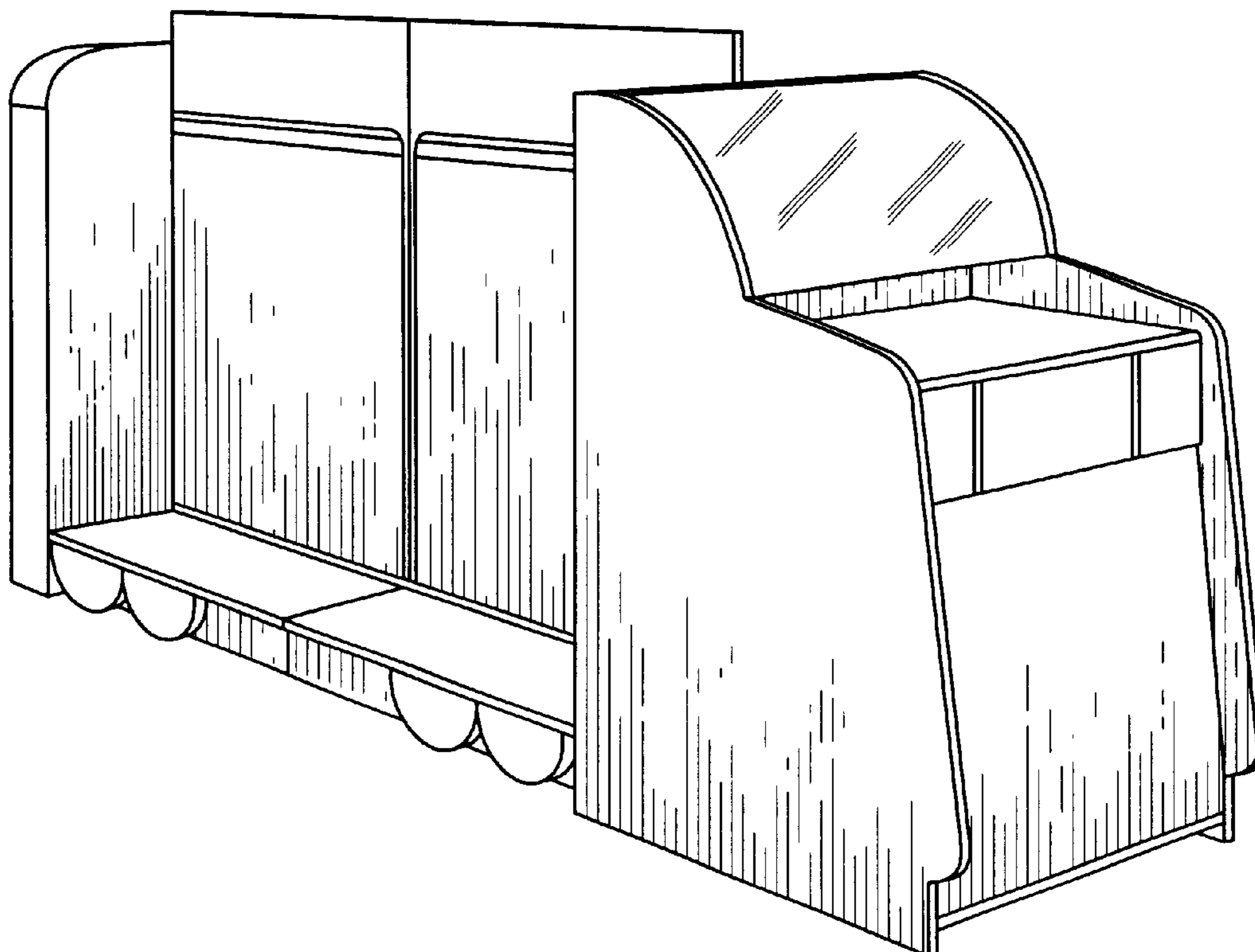
FIG. 7 is a bottom view of my invention

FIG. 8 is a perspective view of my invention, shown with shelves in phantom; and,

FIG. 9 is a side view of my invention, shown with shelves in phantom.

The broken line showing of shelves is for illustrative purposes only and forms no part of the claimed design.

1 Claim, 4 Drawing Sheets



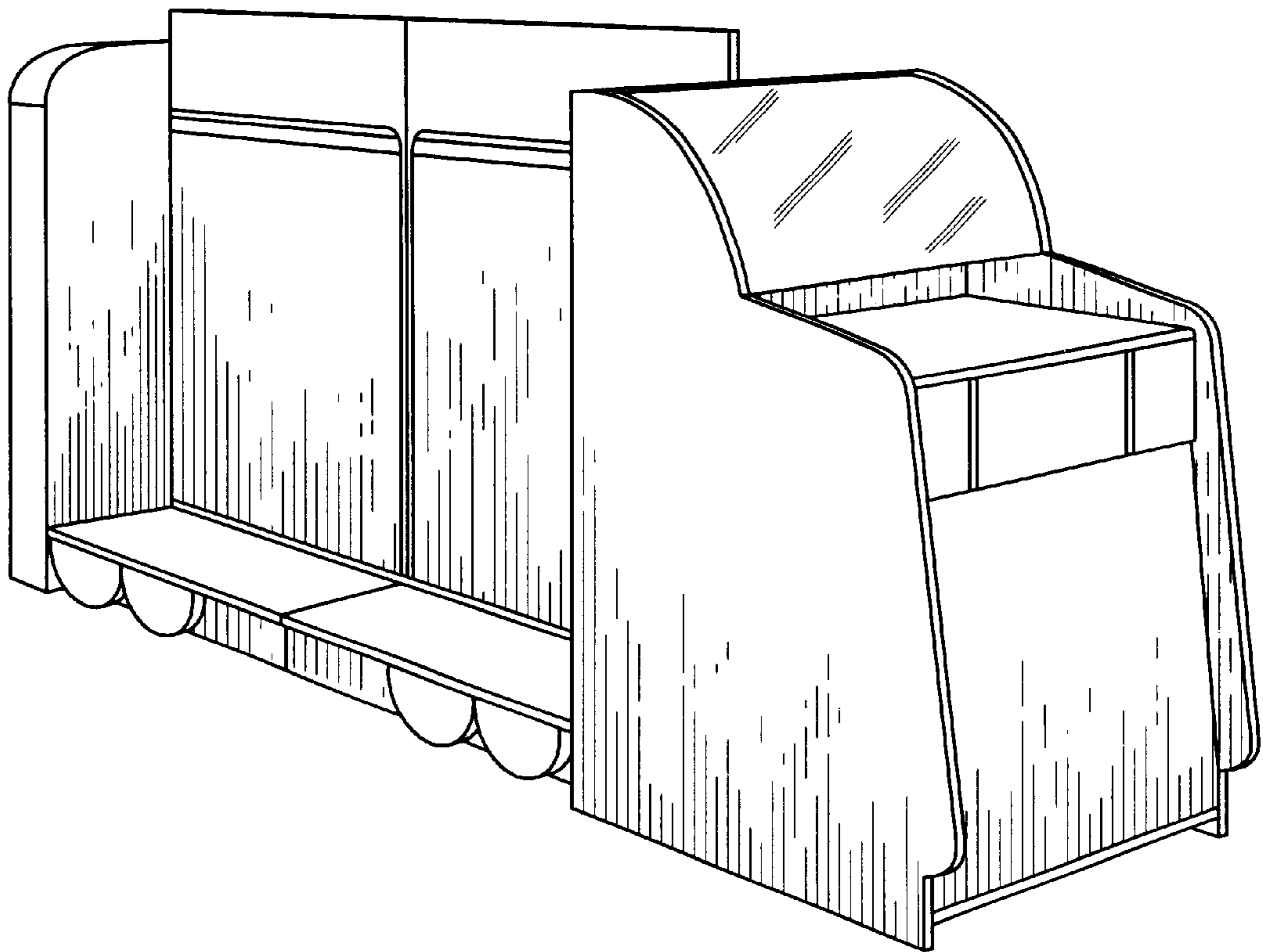


FIG. 1

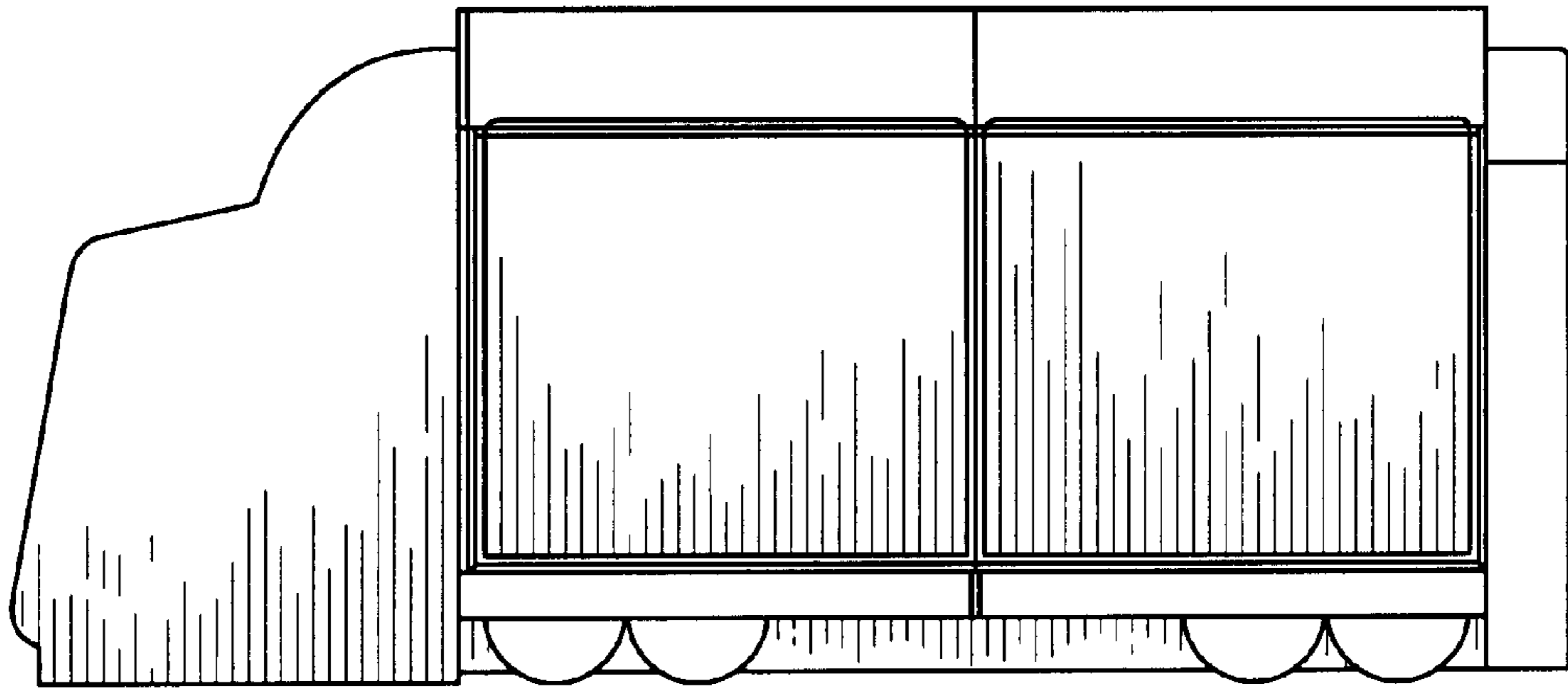


FIG. 2

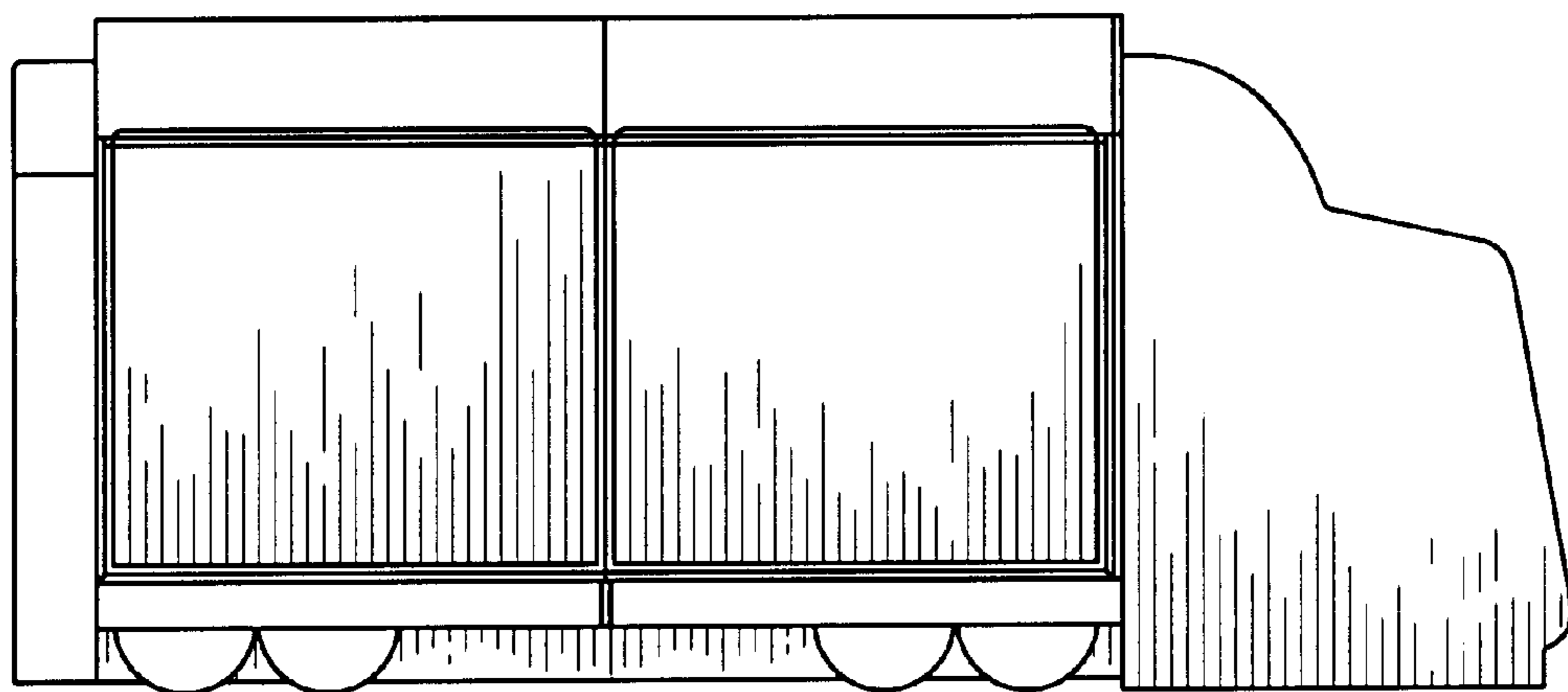


FIG. 3

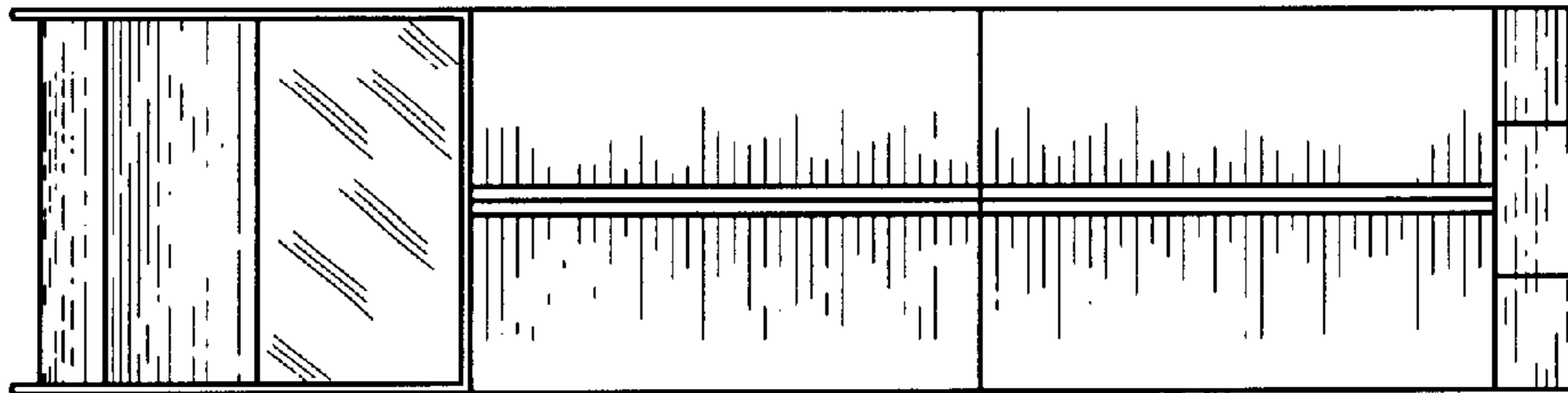


FIG. 4

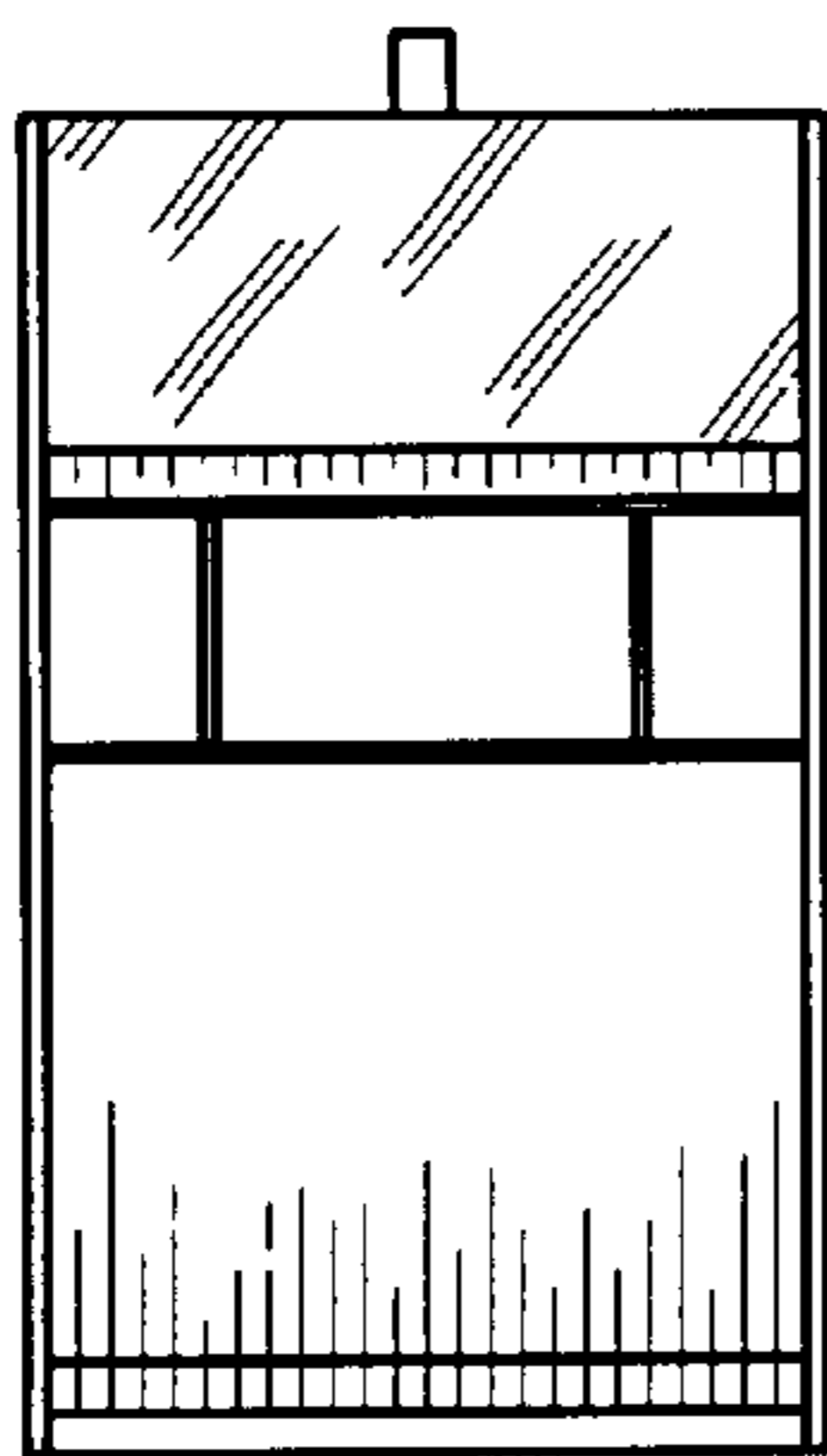


FIG. 5

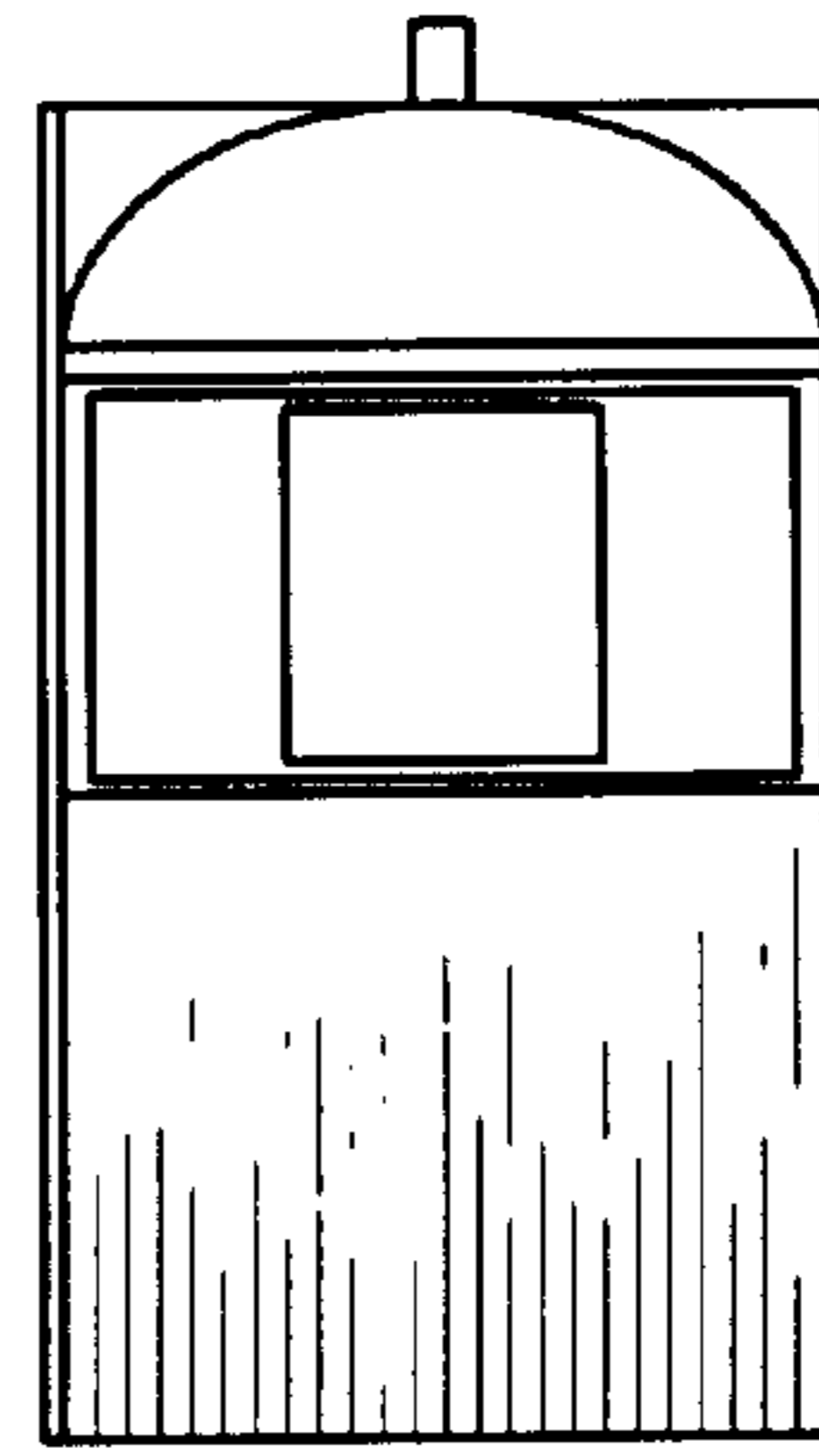


FIG. 6

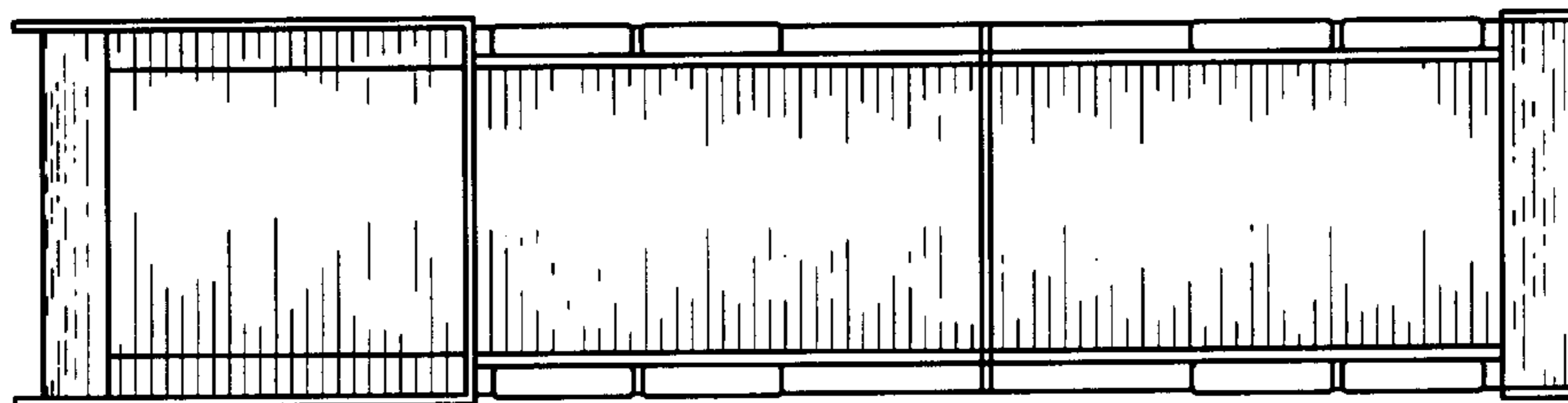


FIG. 7

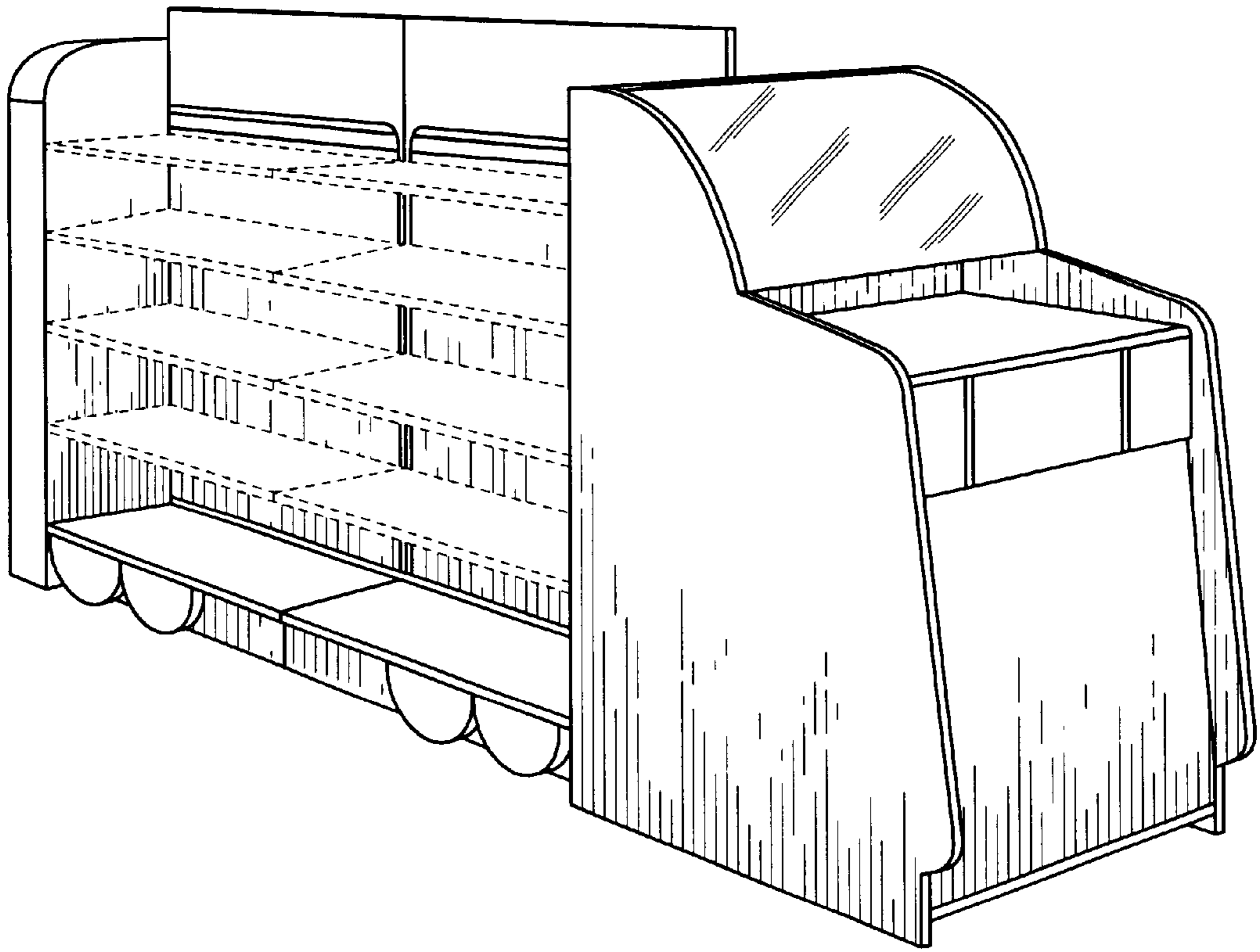


FIG. 8

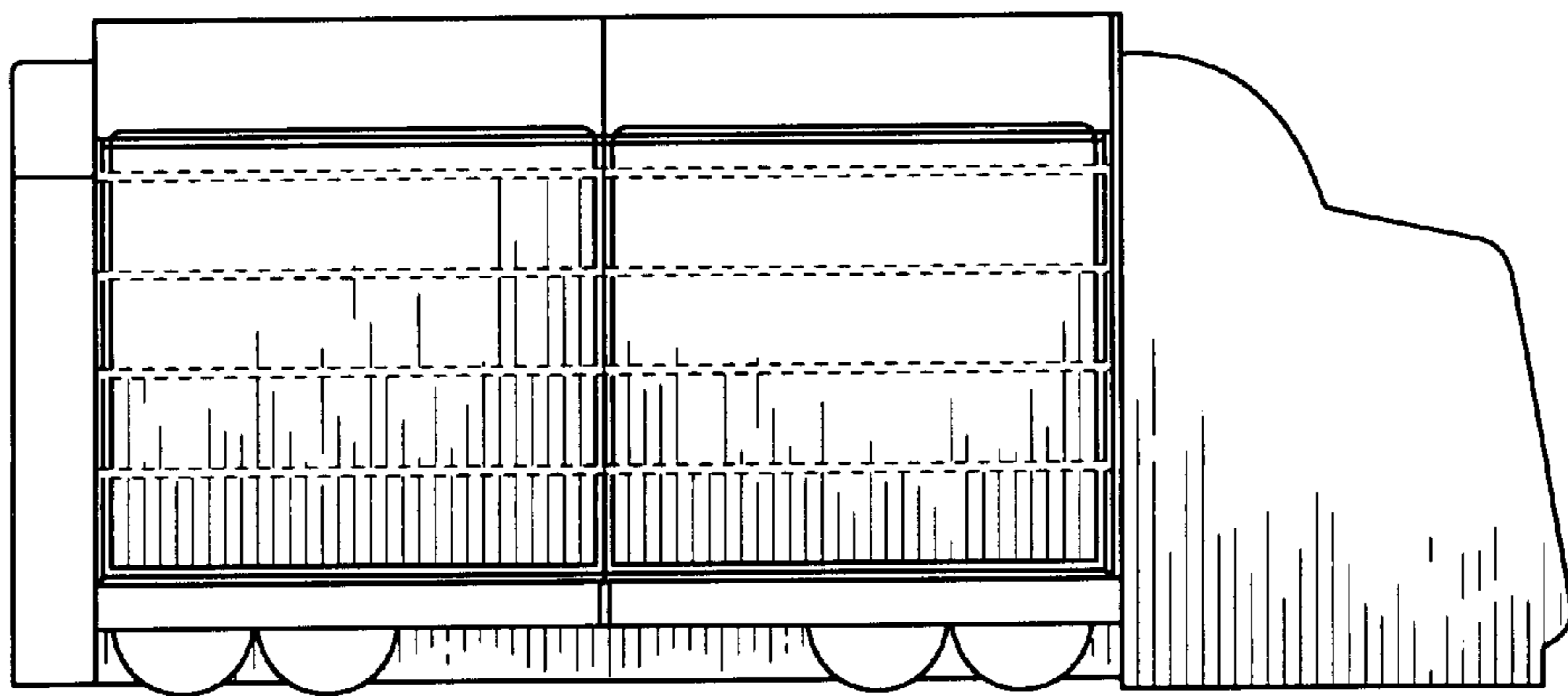


FIG. 9