



US00D483577S

(12) **United States Design Patent**  
**Rietz**

(10) **Patent No.:** **US D483,577 S**

(45) **Date of Patent:** **\*\* \*Dec. 16, 2003**

(54) **CHAIR**

**DESCRIPTION**

(76) Inventor: **Rudi Rietz**, 181 Riverside Drive,  
Toronto Ontario (CA), M6S 4A8

(\*) Notice: This patent is subject to a terminal disclaimer.

(\*\*) Term: **14 Years**

(21) Appl. No.: **29/141,220**

(22) Filed: **May 3, 2001**

(51) **LOC (7) Cl.** ..... **06-01**

(52) **U.S. Cl.** ..... **D6/336**

(58) **Field of Search** ..... D6/334, 335, 336,  
D6/374, 375, 376, 379, 380, 500-502;  
297/232, 248, 239, DIG. 2

FIG. 1 is a view from the right side of a first embodiment of the chair;  
FIG. 2 is a view from the left side of the embodiment of FIG. 1;  
FIG. 3 is a front elevational view of the embodiment of FIG. 1;  
FIG. 4 is a rear elevational view of the embodiment of FIG. 1;  
FIG. 5 is a view from the top of the embodiment of FIG. 1;  
FIG. 6 is a view from the right side of a second embodiment of the chair;  
FIG. 7 is a view from the left side of the embodiment of FIG. 6;  
FIG. 8 is a front elevational view of the embodiment of FIG. 6;  
FIG. 9 is a rear elevational view of the embodiment of FIG. 6;  
FIG. 10 is a view from the top of the embodiment of FIG. 6;  
FIG. 11 is a view from the bottom of either embodiment of FIGS. 1 or 6;  
FIG. 12 is a view from the right side of a third embodiment of a chair;  
FIG. 13 is a view from the left side of FIG. 12;  
FIG. 14 is a front elevational view of FIG. 12;  
FIG. 15 is a rear elevational view of FIG. 12;  
FIG. 16 is a view from the top of FIG. 12;  
FIG. 17 is a view from the right side of a fourth embodiment of a chair;  
FIG. 18 is a view from the left side of FIG. 17;  
FIG. 19 is a front elevational view of FIG. 17;  
FIG. 20 is a rear elevational view of FIG. 17;  
FIG. 21 is a view from the top of FIG. 17; and,  
FIG. 22 is a view from the embodiment of either FIGS. 12 or 17.

(56) **References Cited**

**U.S. PATENT DOCUMENTS**

3,159,428 A \* 12/1964 Schier ..... 297/DIG. 2  
3,203,731 A \* 8/1965 Frueger ..... 297/248  
3,708,202 A \* 1/1973 Barecki et al. .... 297/248  
4,400,031 A \* 8/1983 DeDecker ..... 297/248  
D333,733 S \* 3/1993 Sammons ..... D6/334  
5,954,396 A \* 9/1999 Kemnitzer ..... 297/248  
D434,234 S \* 11/2000 Ferrentino ..... D6/336  
6,206,469 B1 \* 3/2001 Caruso et al. .... 297/248  
6,338,528 B1 \* 1/2002 Lohness et al. .... 297/239

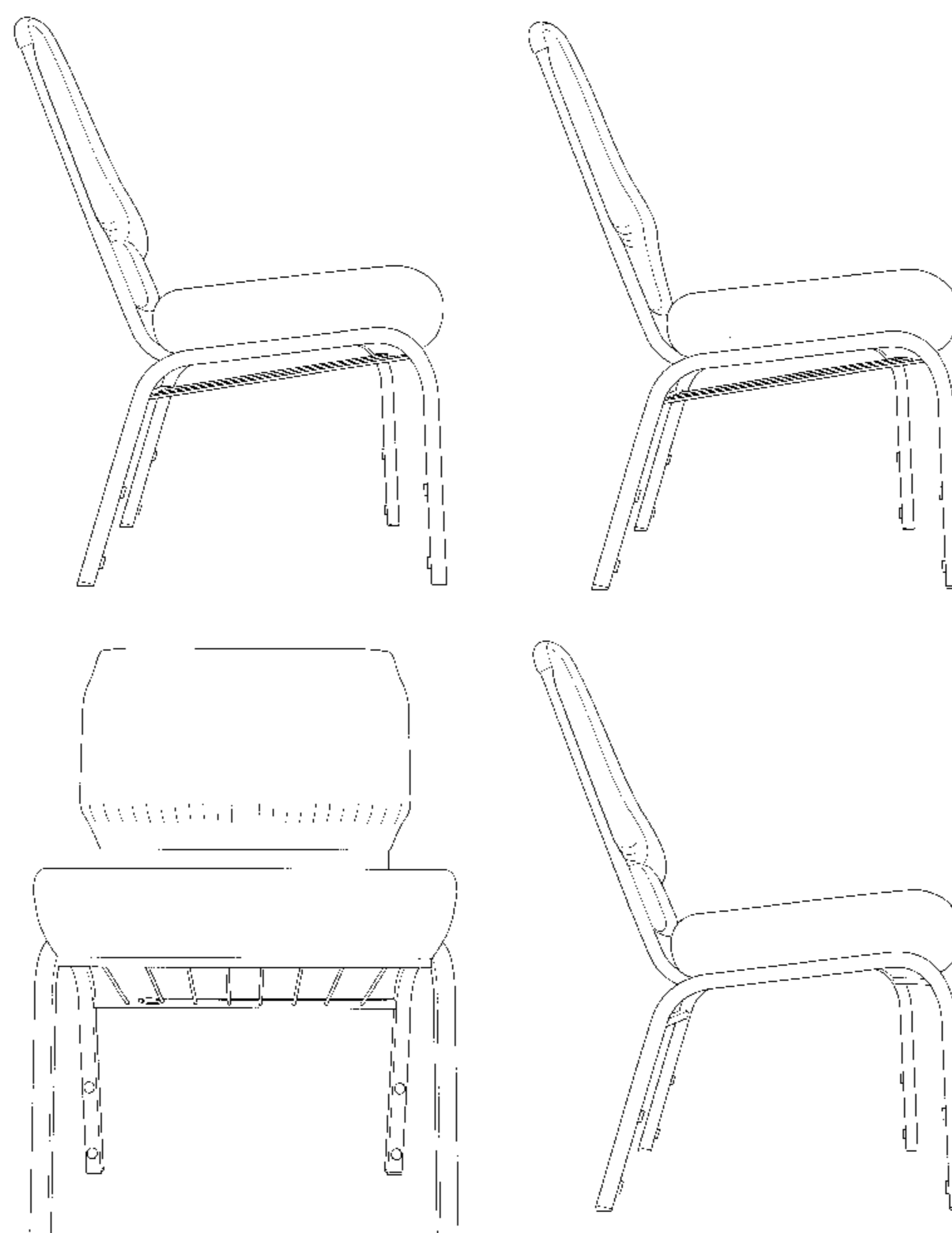
\* cited by examiner

*Primary Examiner*—Doris V. Coles  
*Assistant Examiner*—Mimosa De

(57) **CLAIM**

The ornamental design for a chair, as shown and described.

**1 Claim, 22 Drawing Sheets**



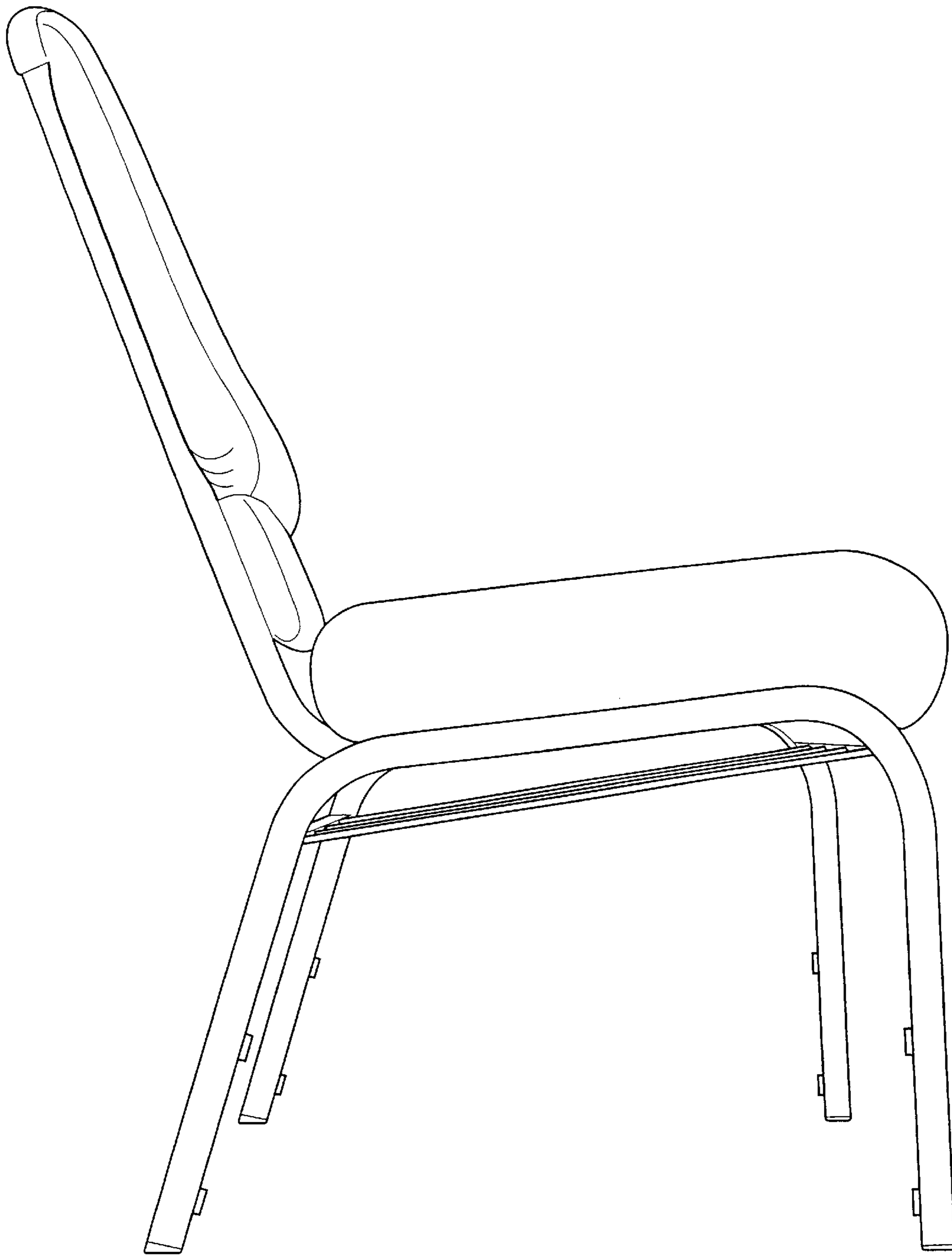


Figure 1

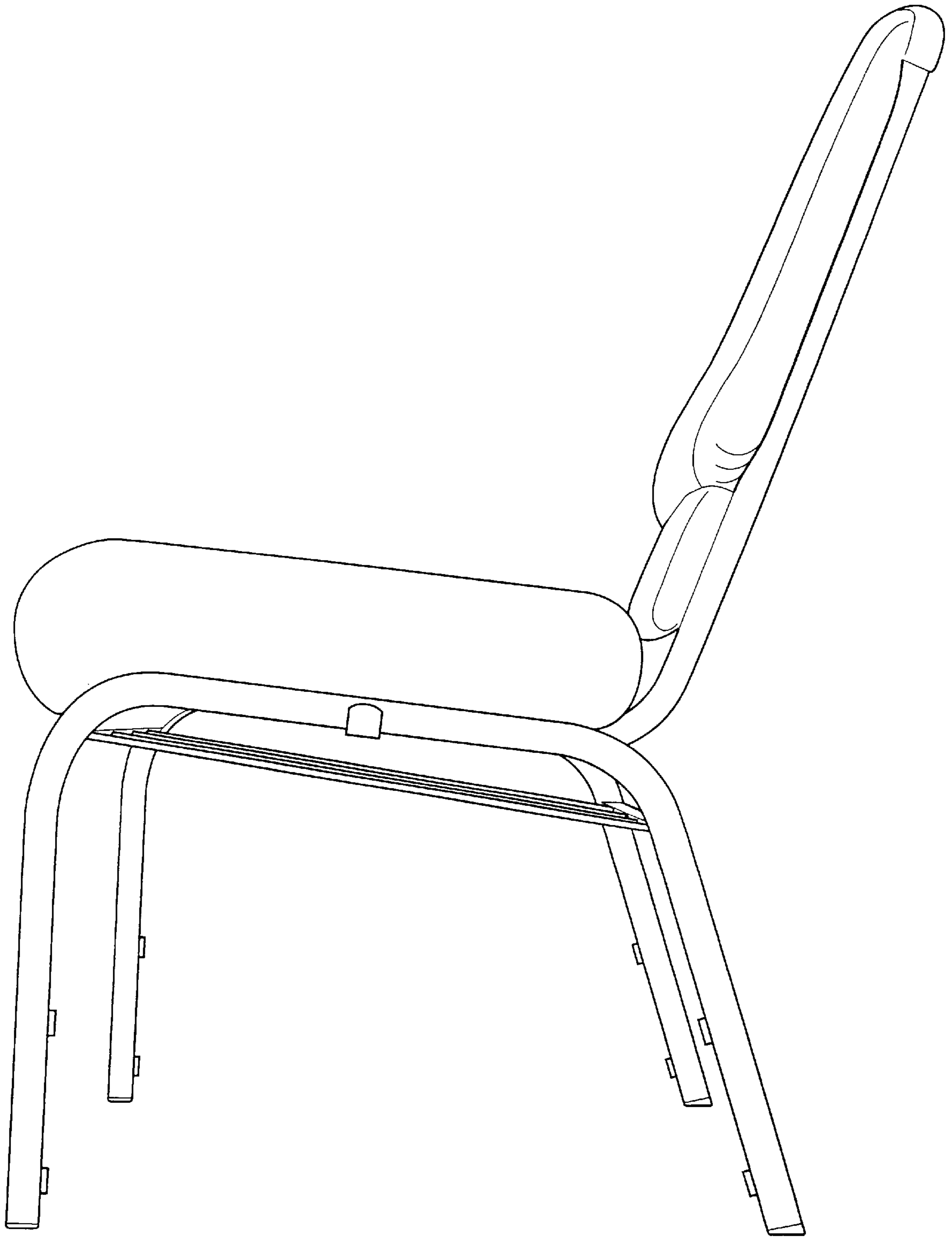


Figure 2

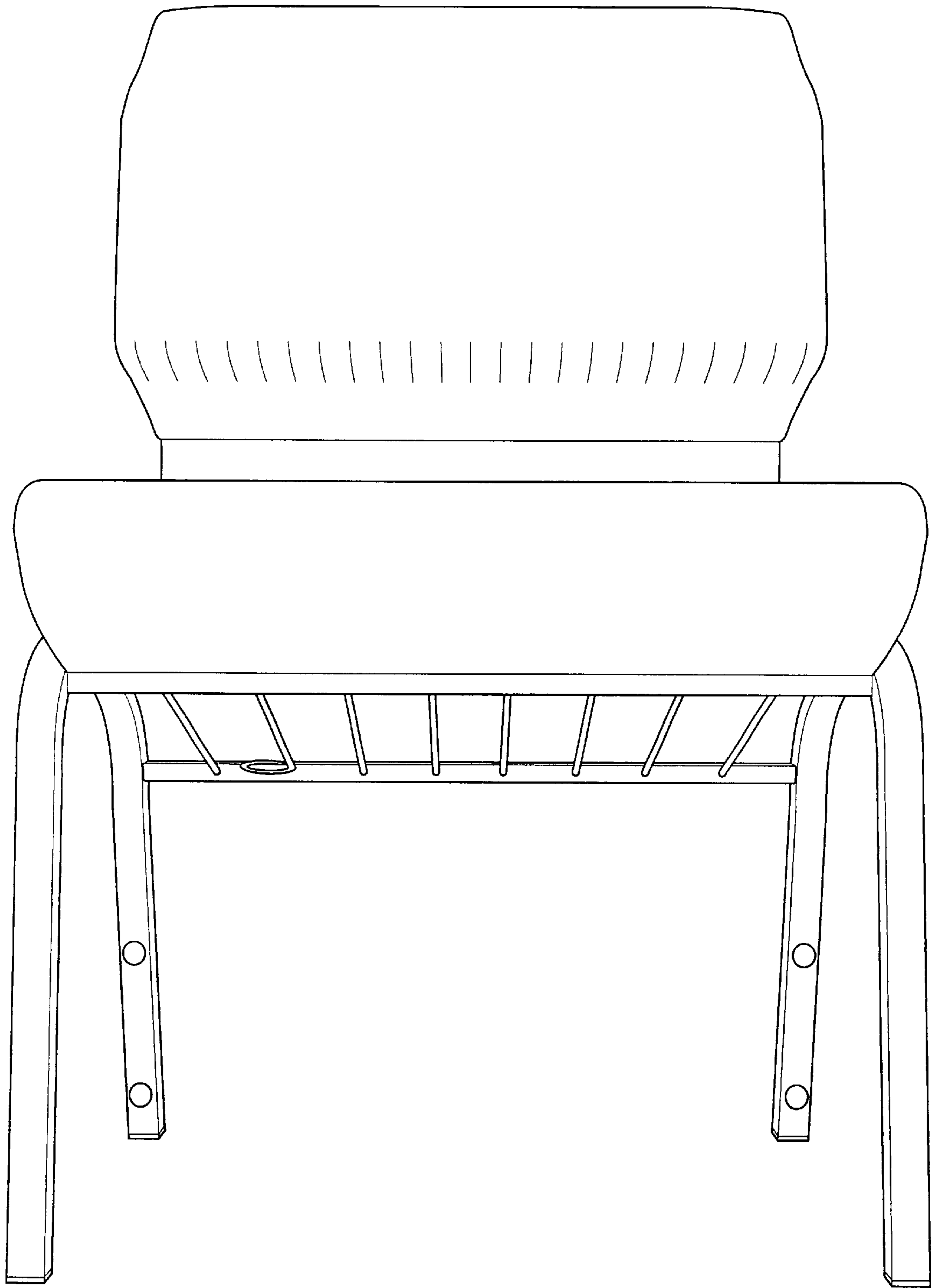


Figure 3

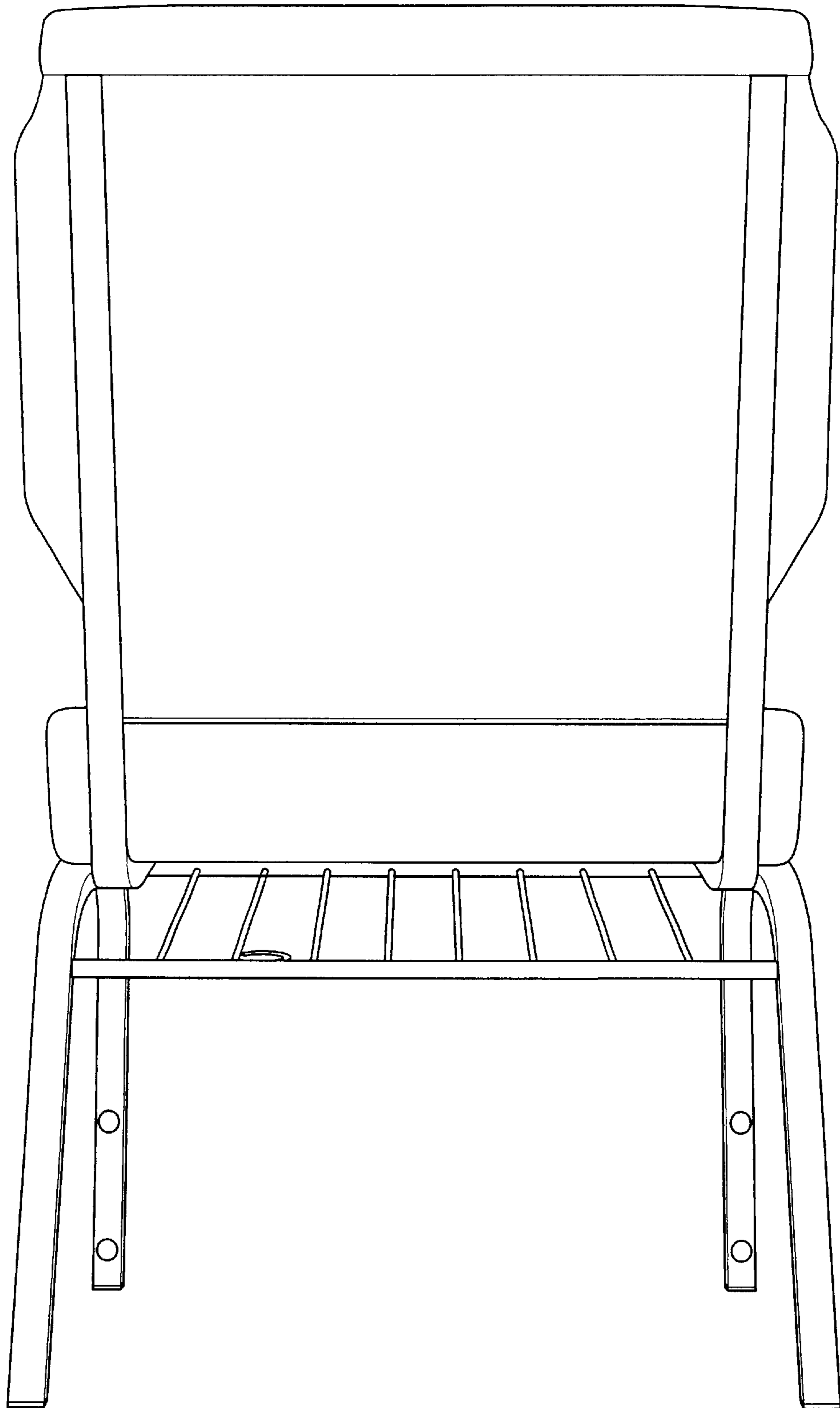


Figure 4

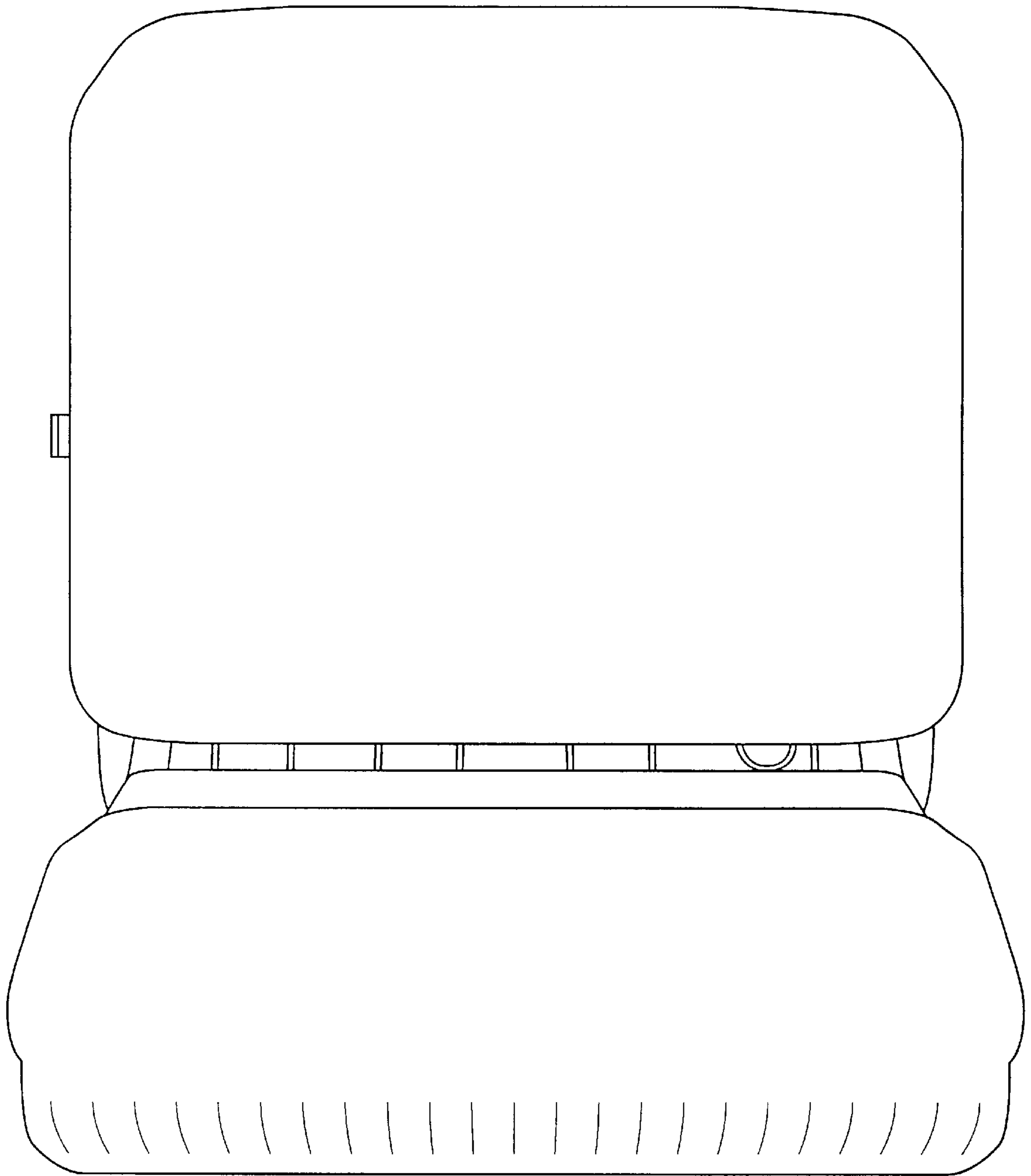


Figure 5

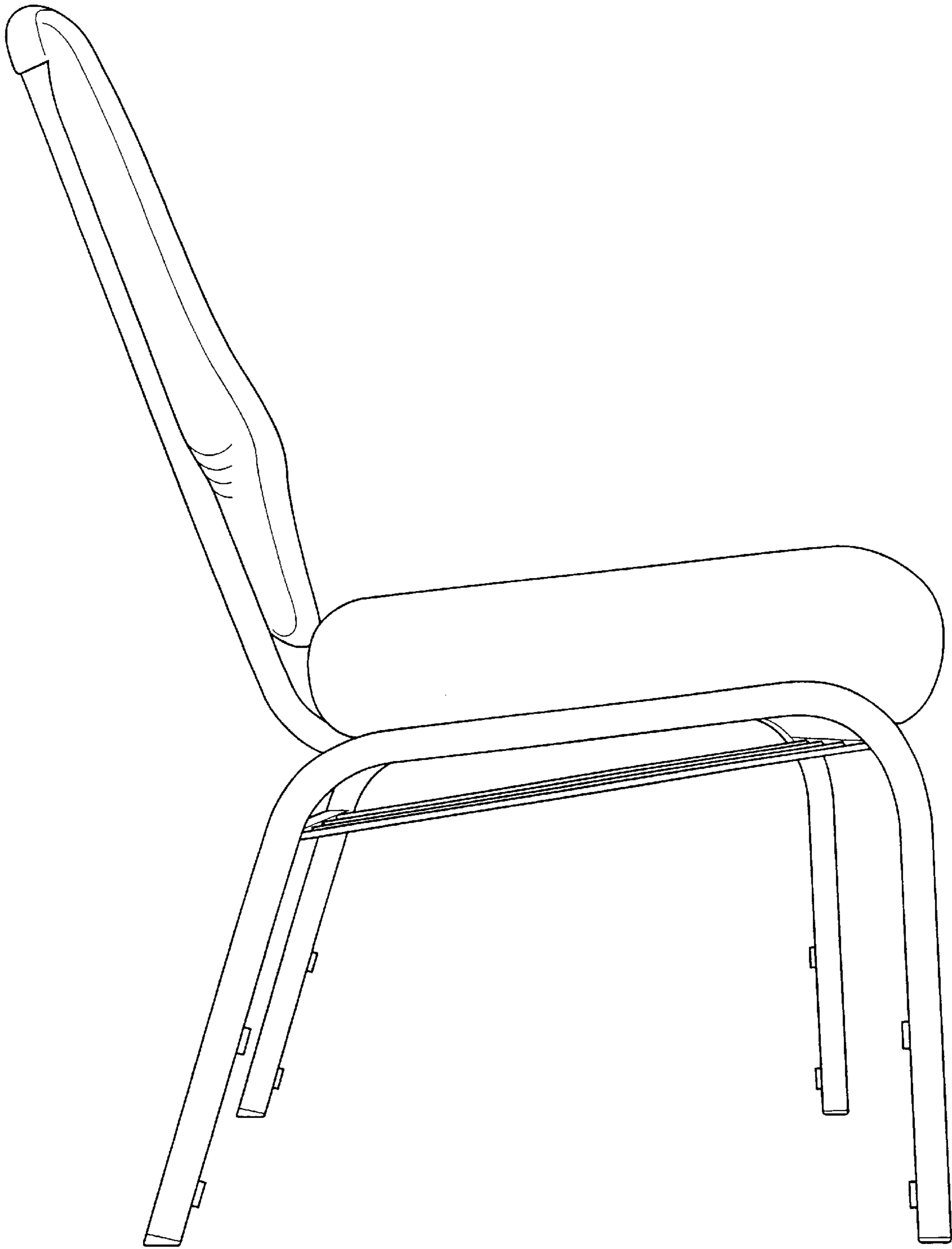


Figure 6

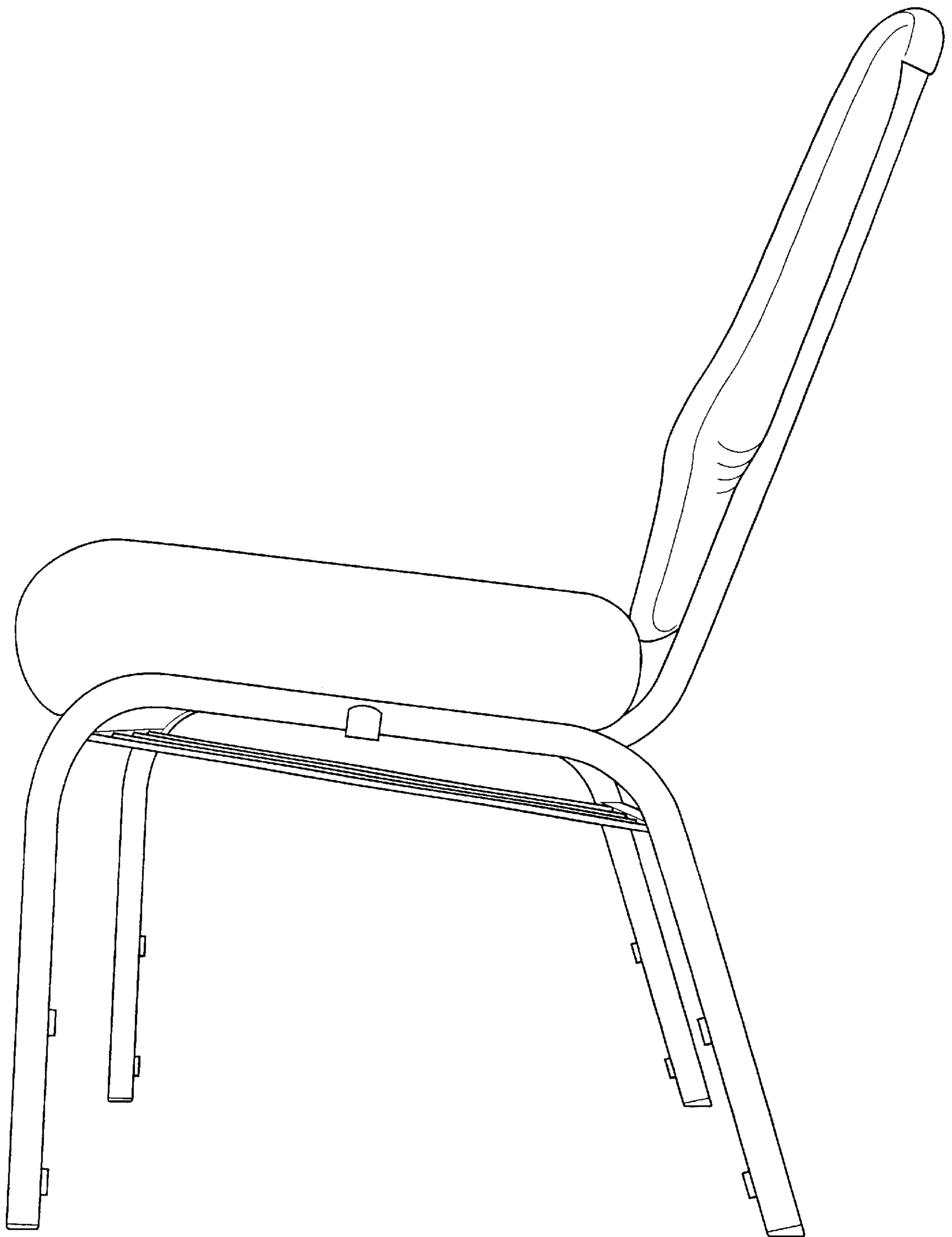


Figure 7



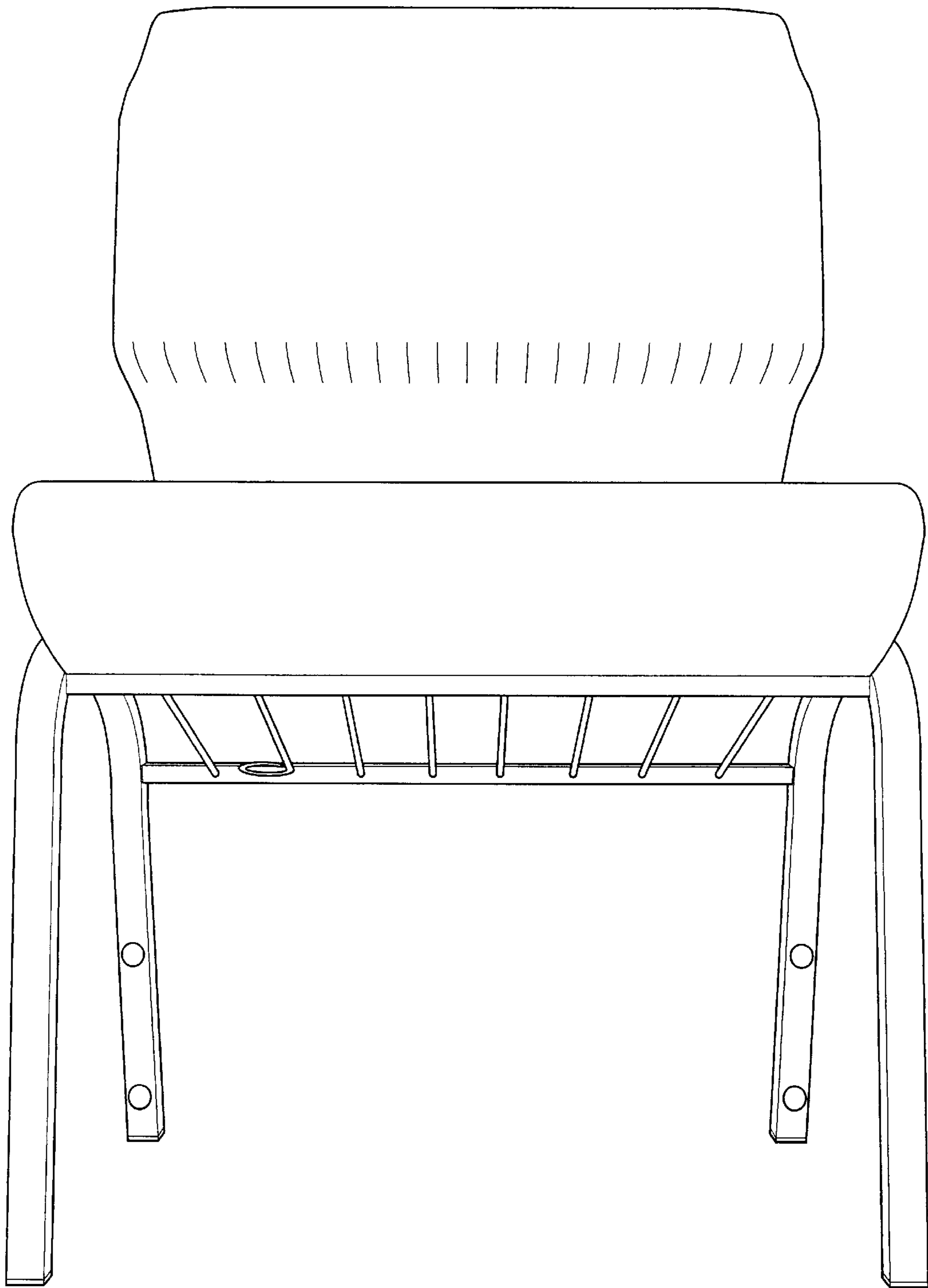


Figure 8

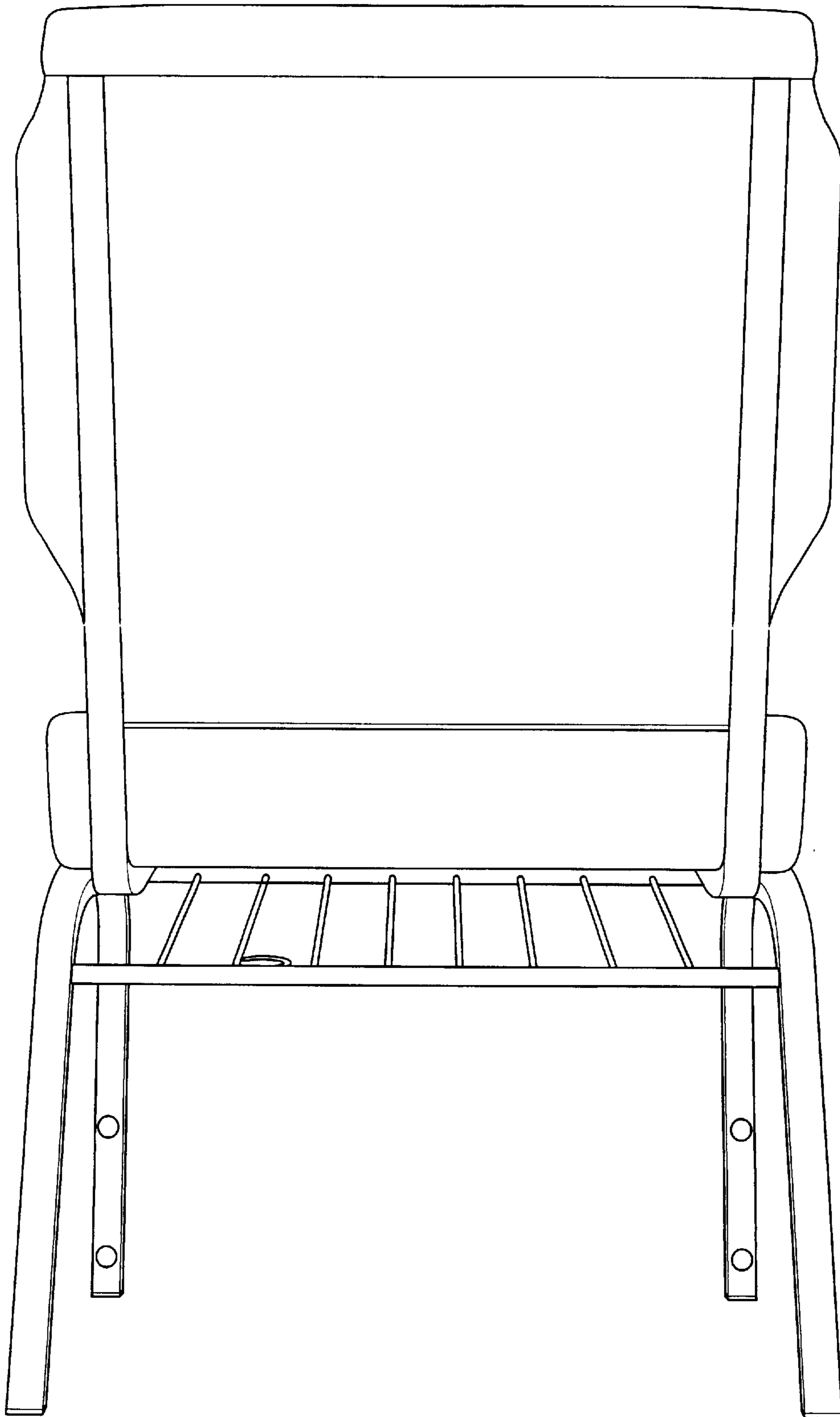


Figure 9

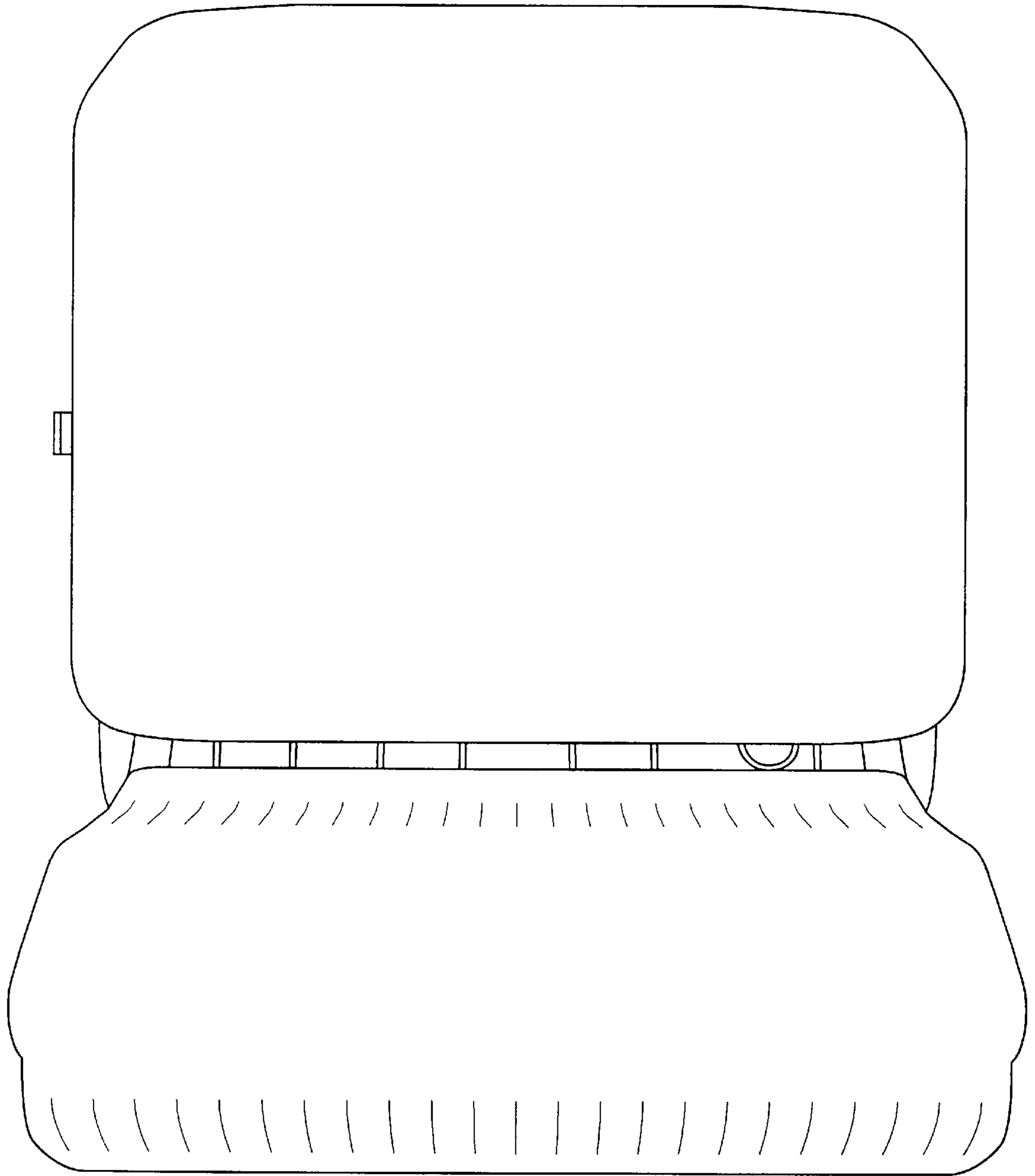


Figure 10

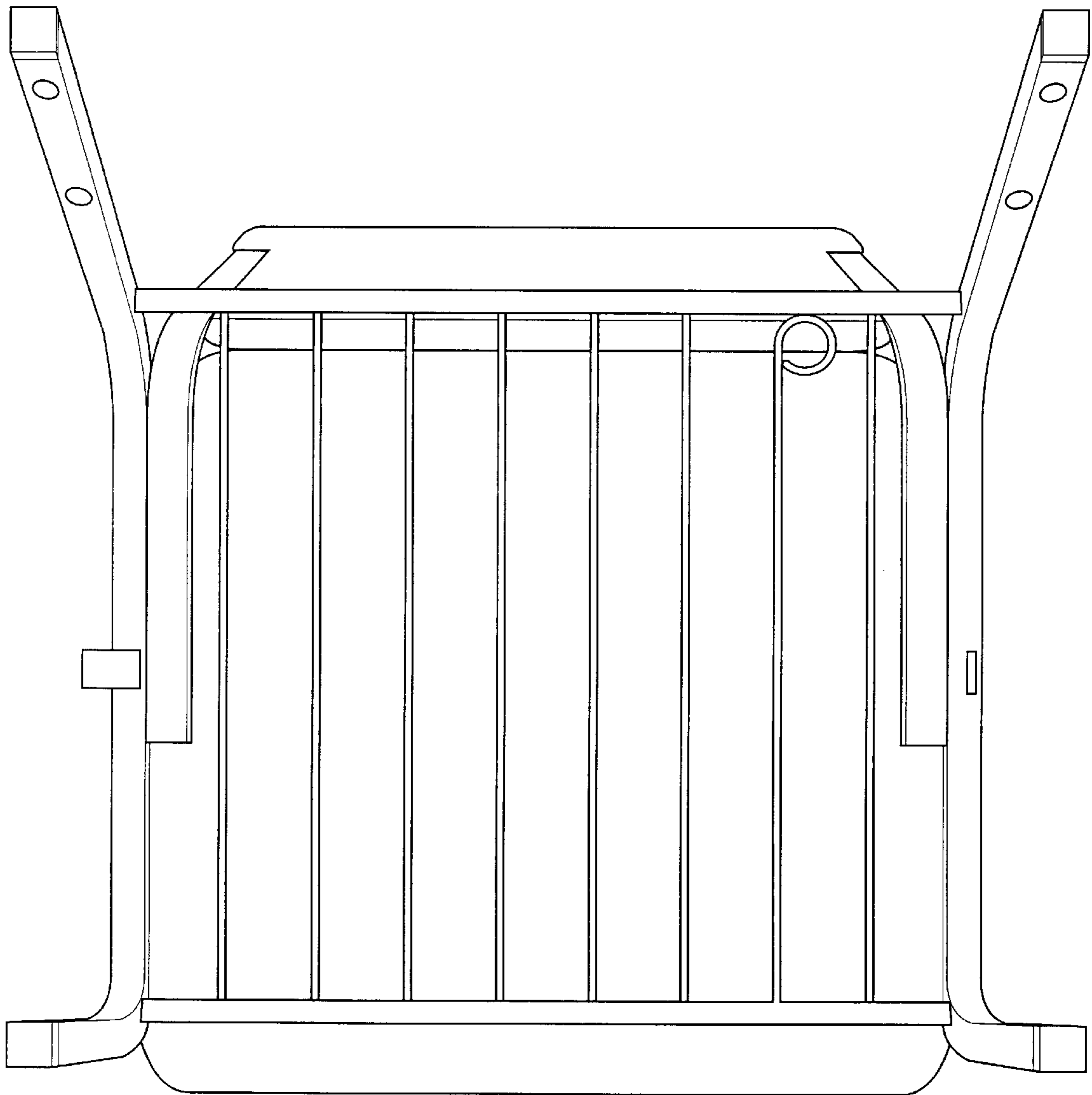


Figure 11

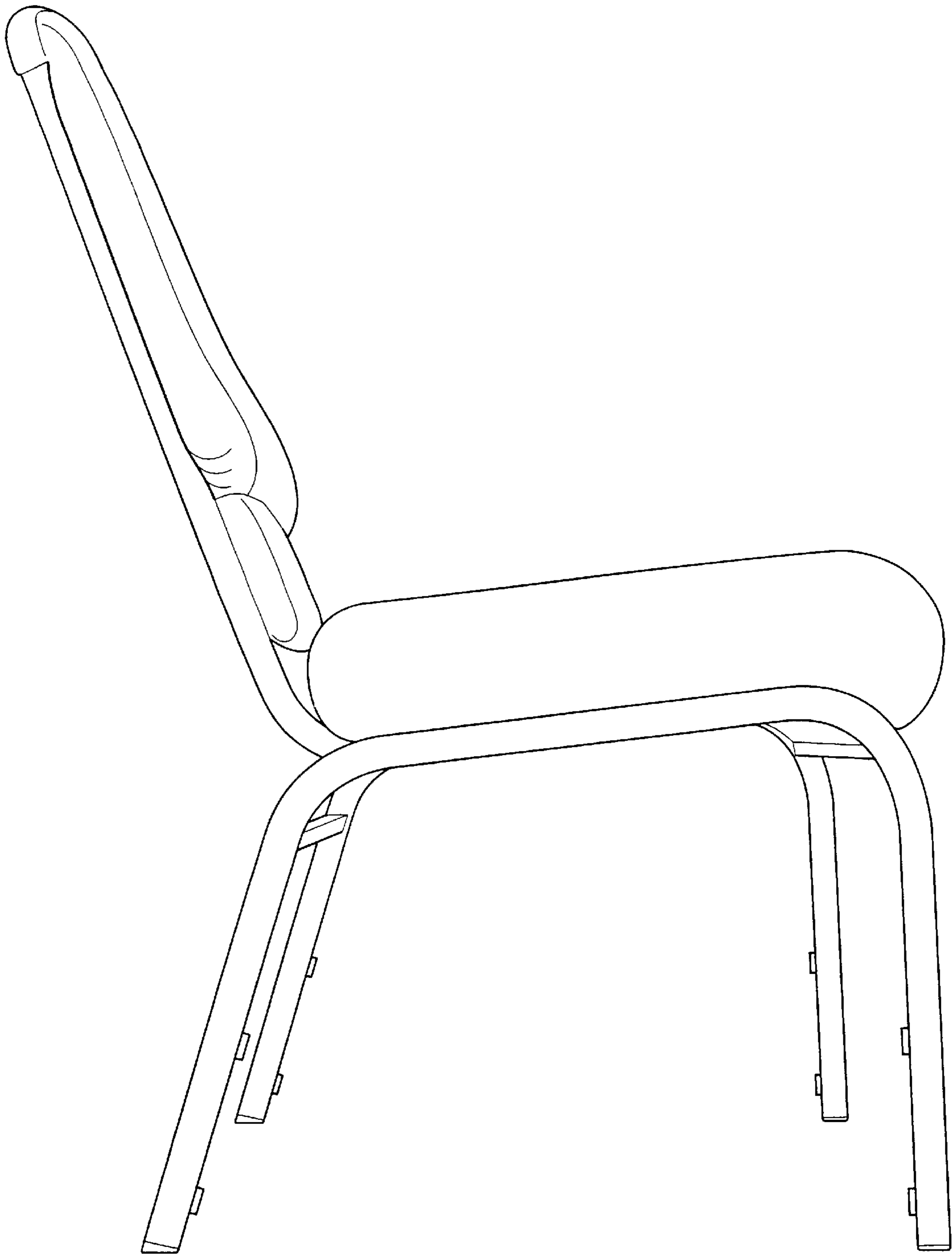


Figure 12

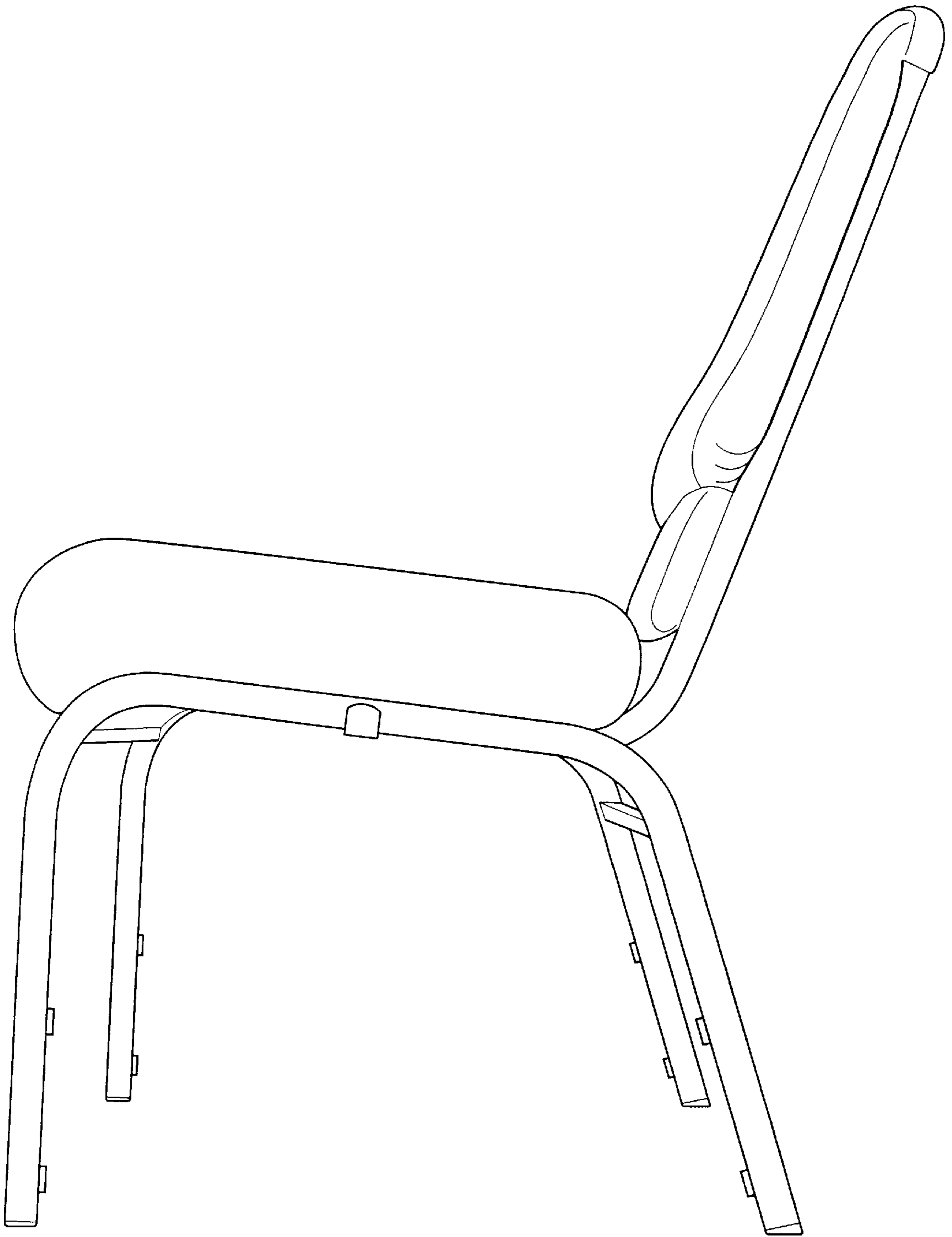


Figure 13

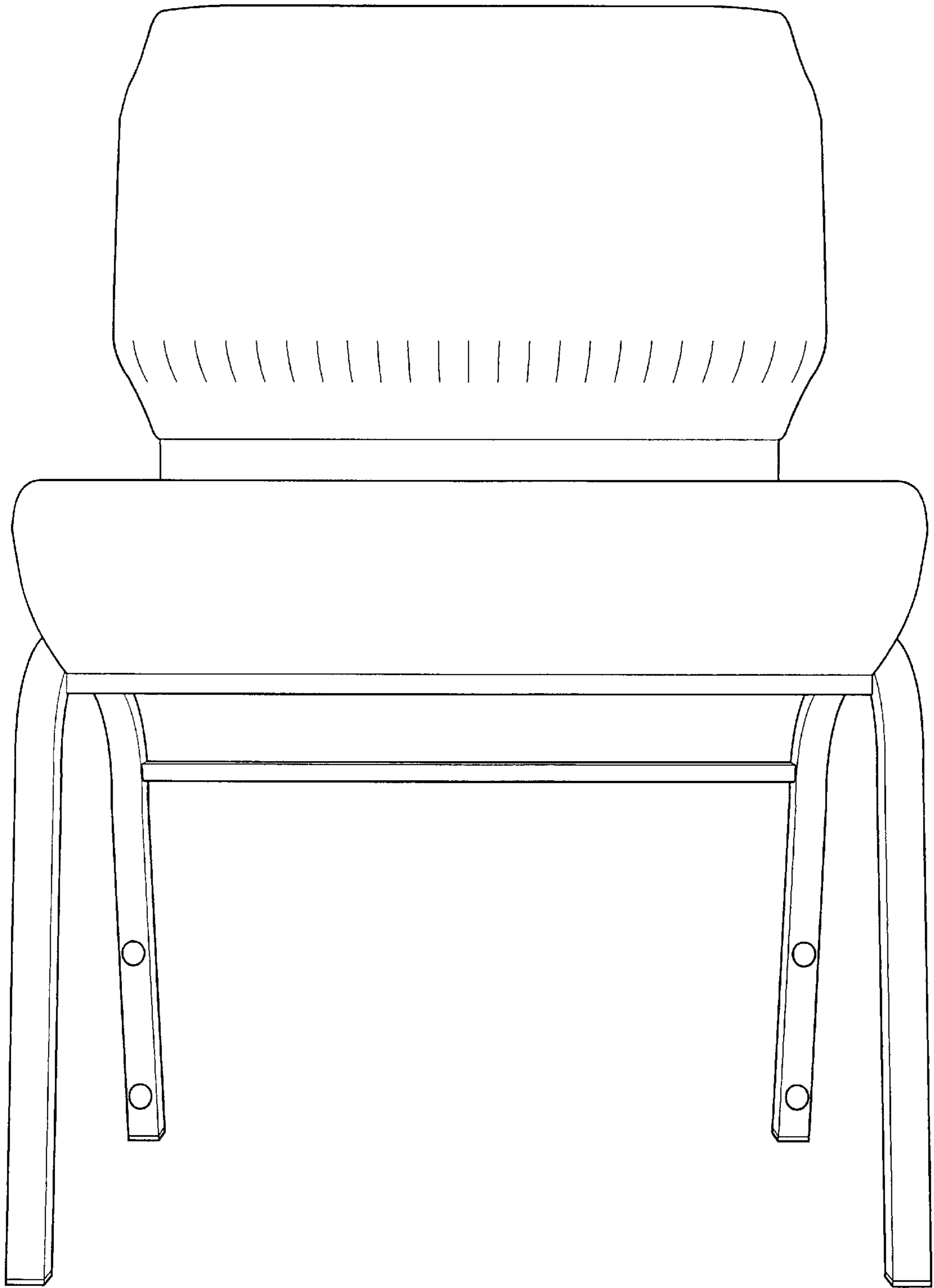


Figure 14

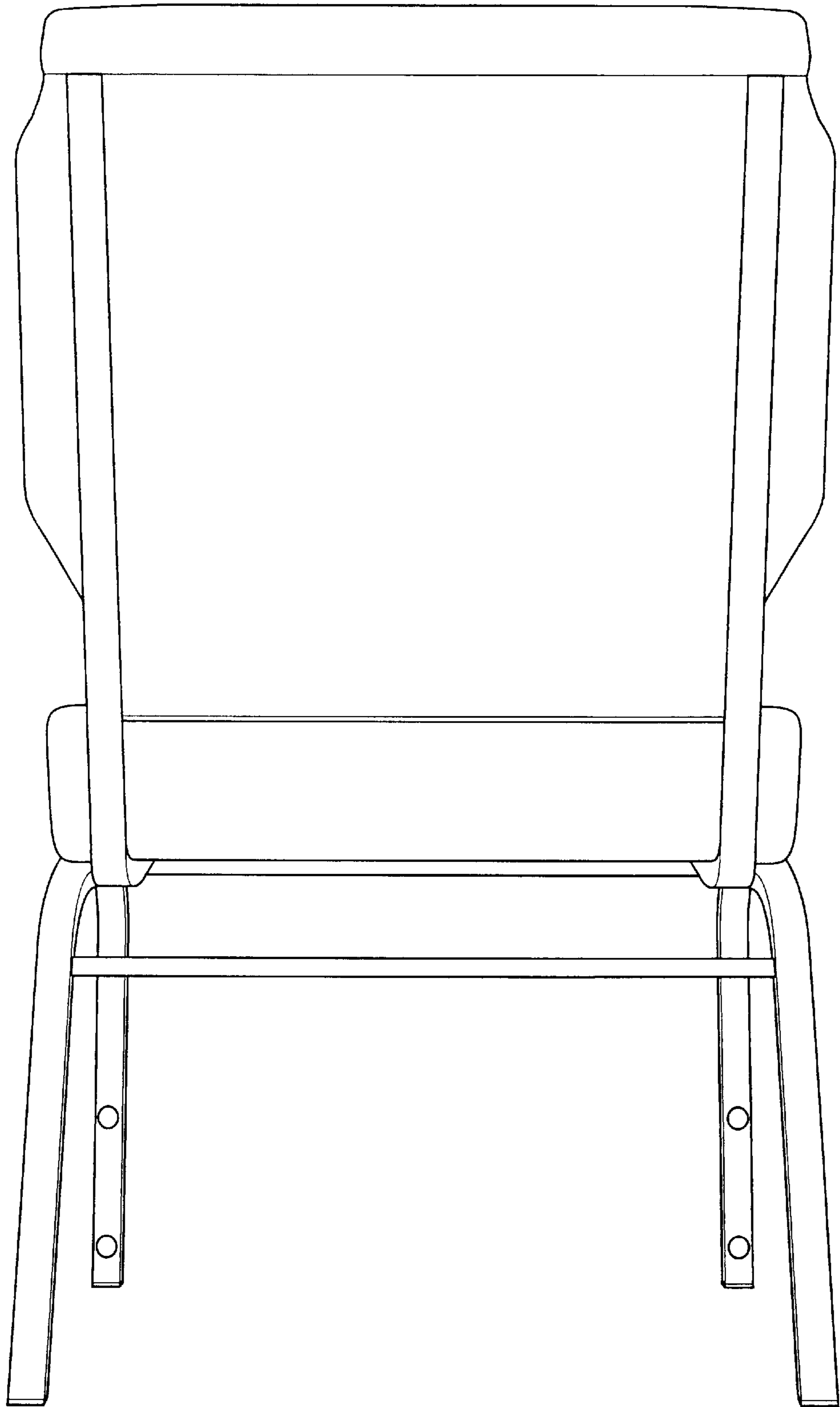


Figure 15



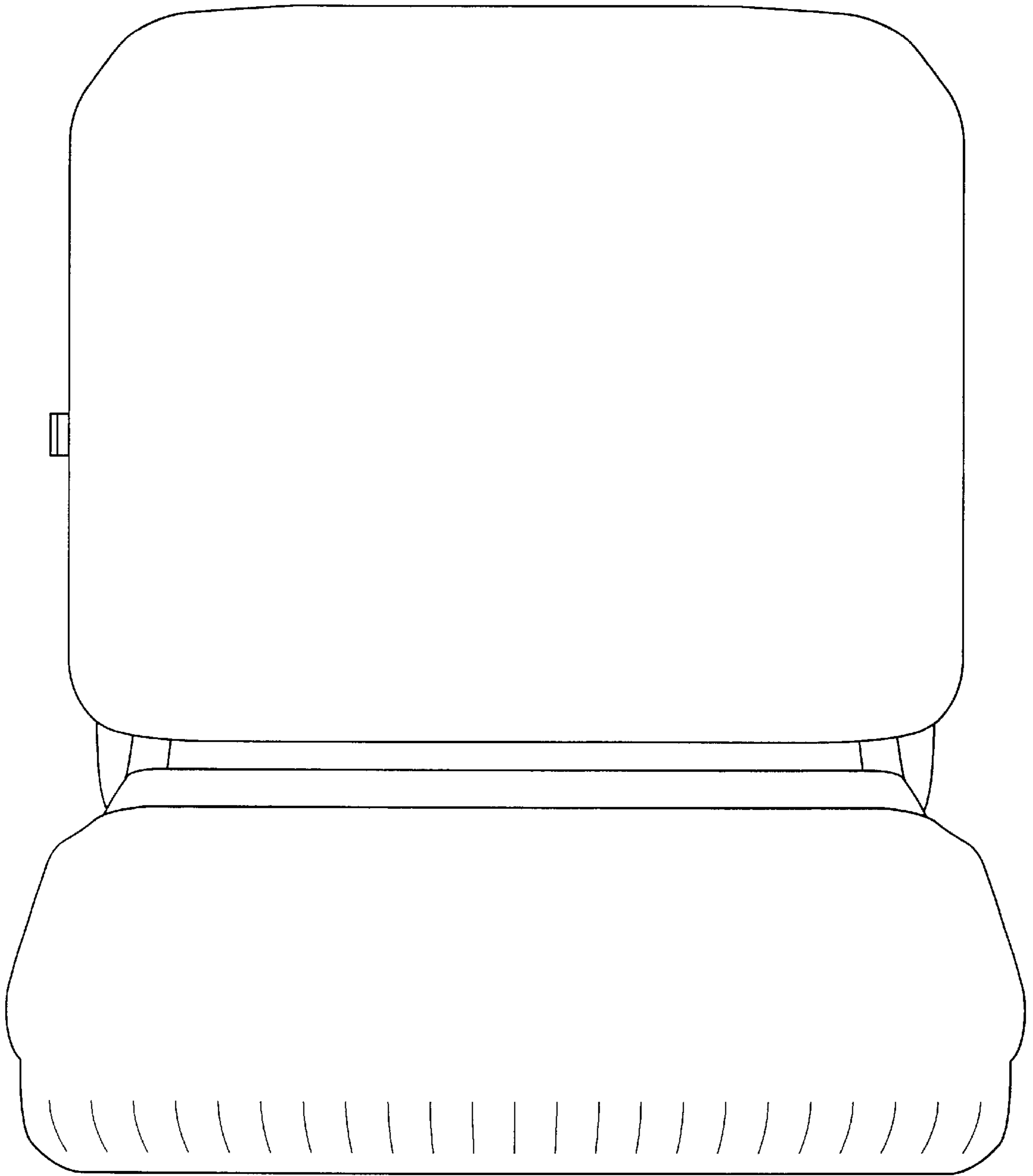


Figure 16

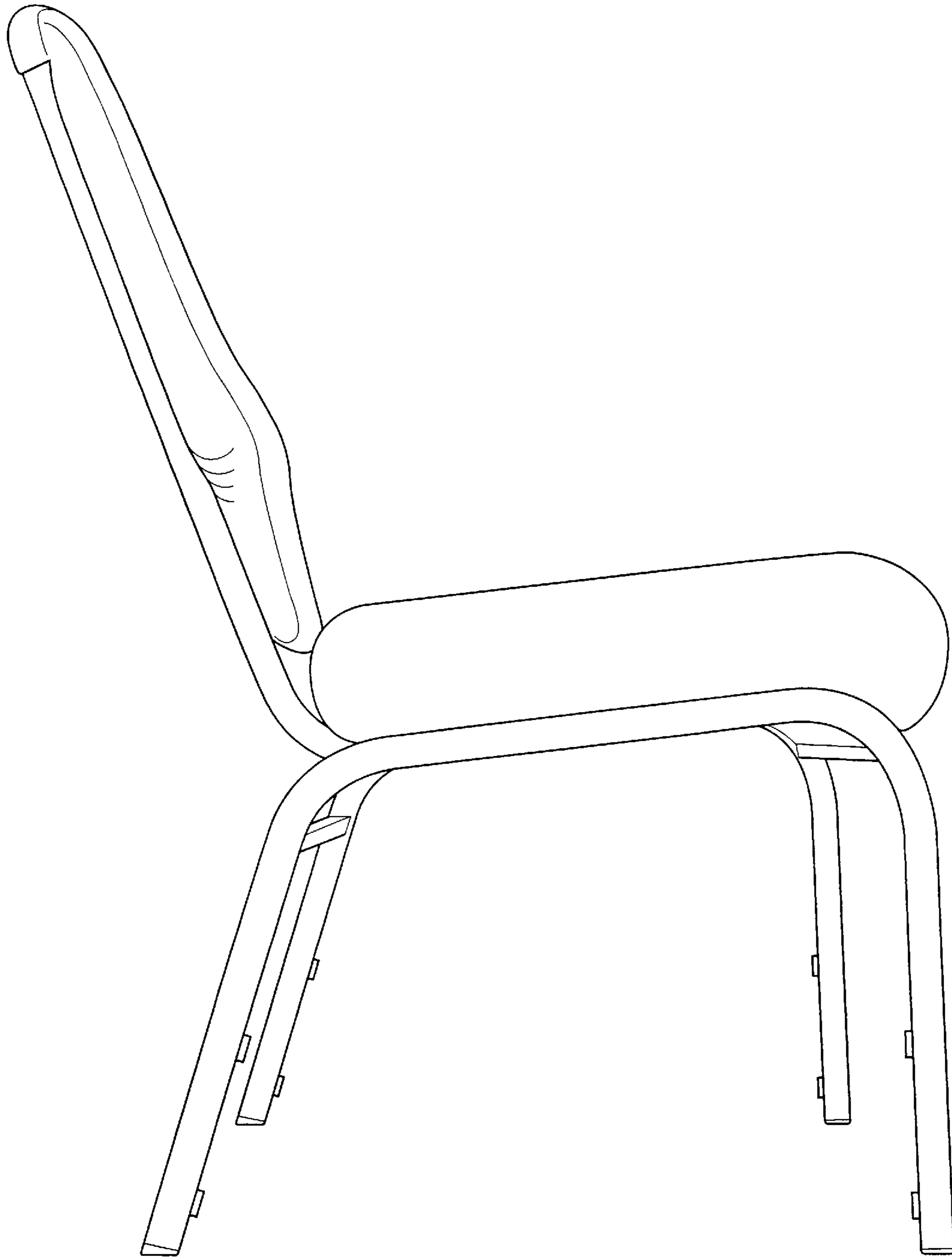


Figure 17

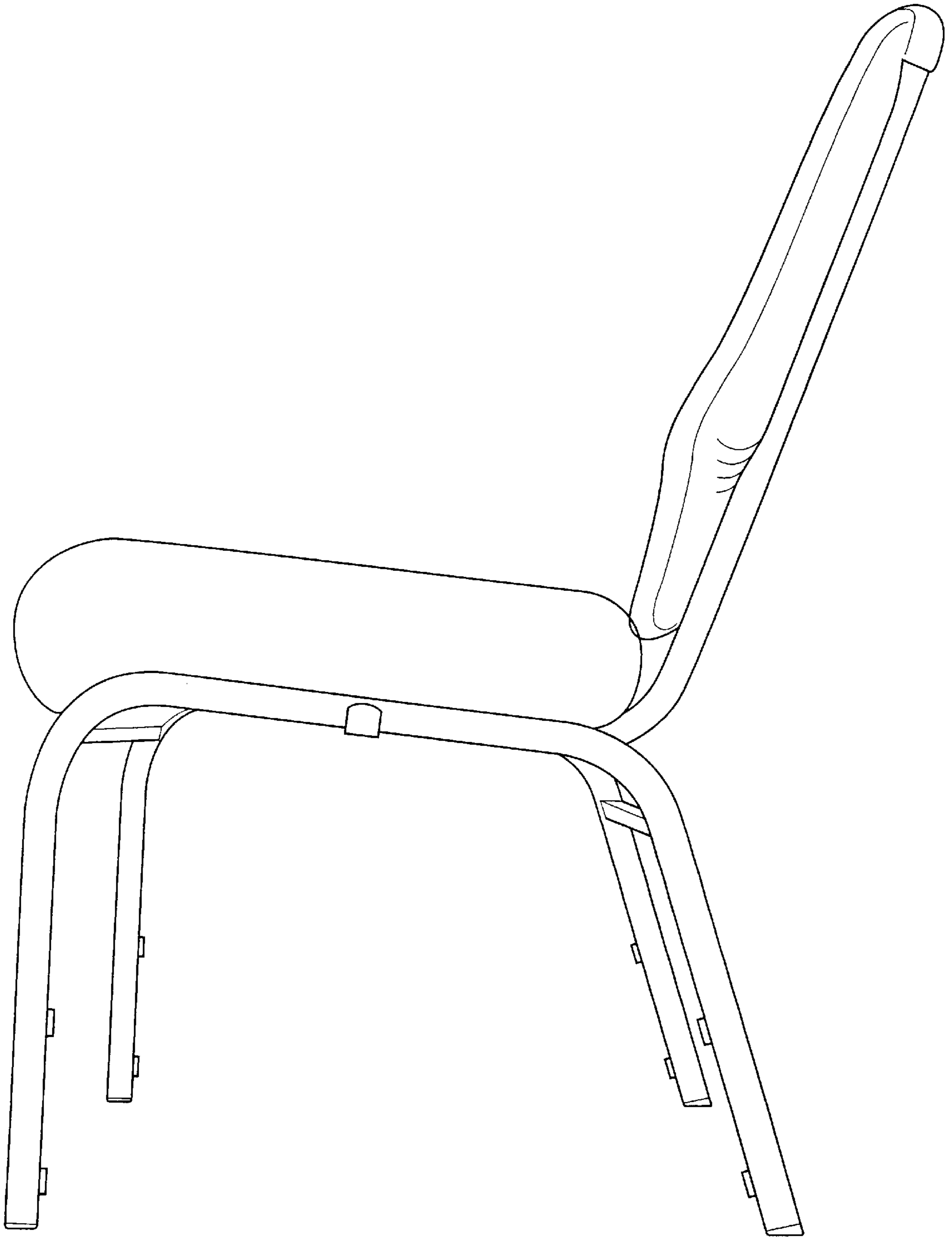


Figure 18

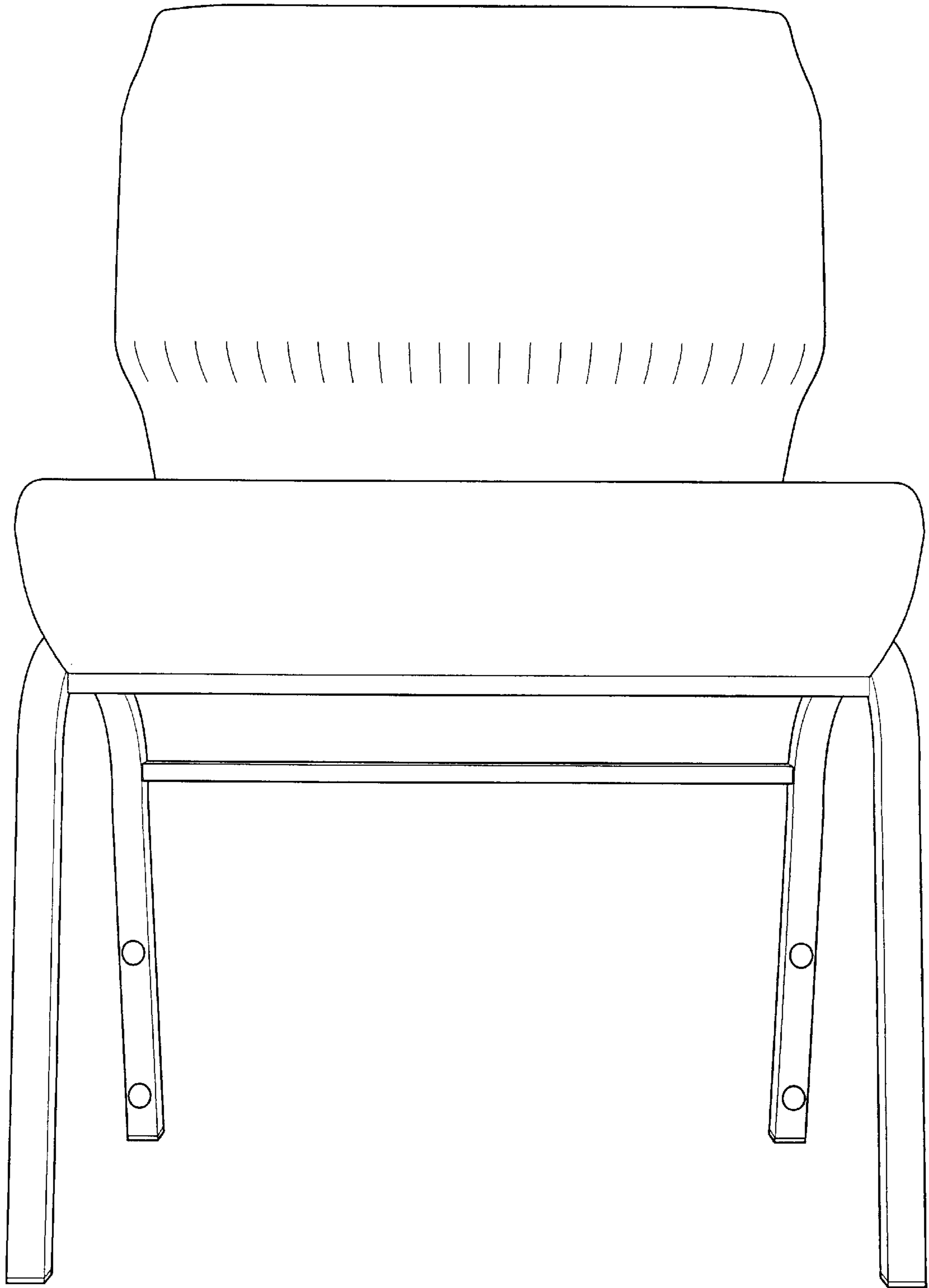


Figure 19

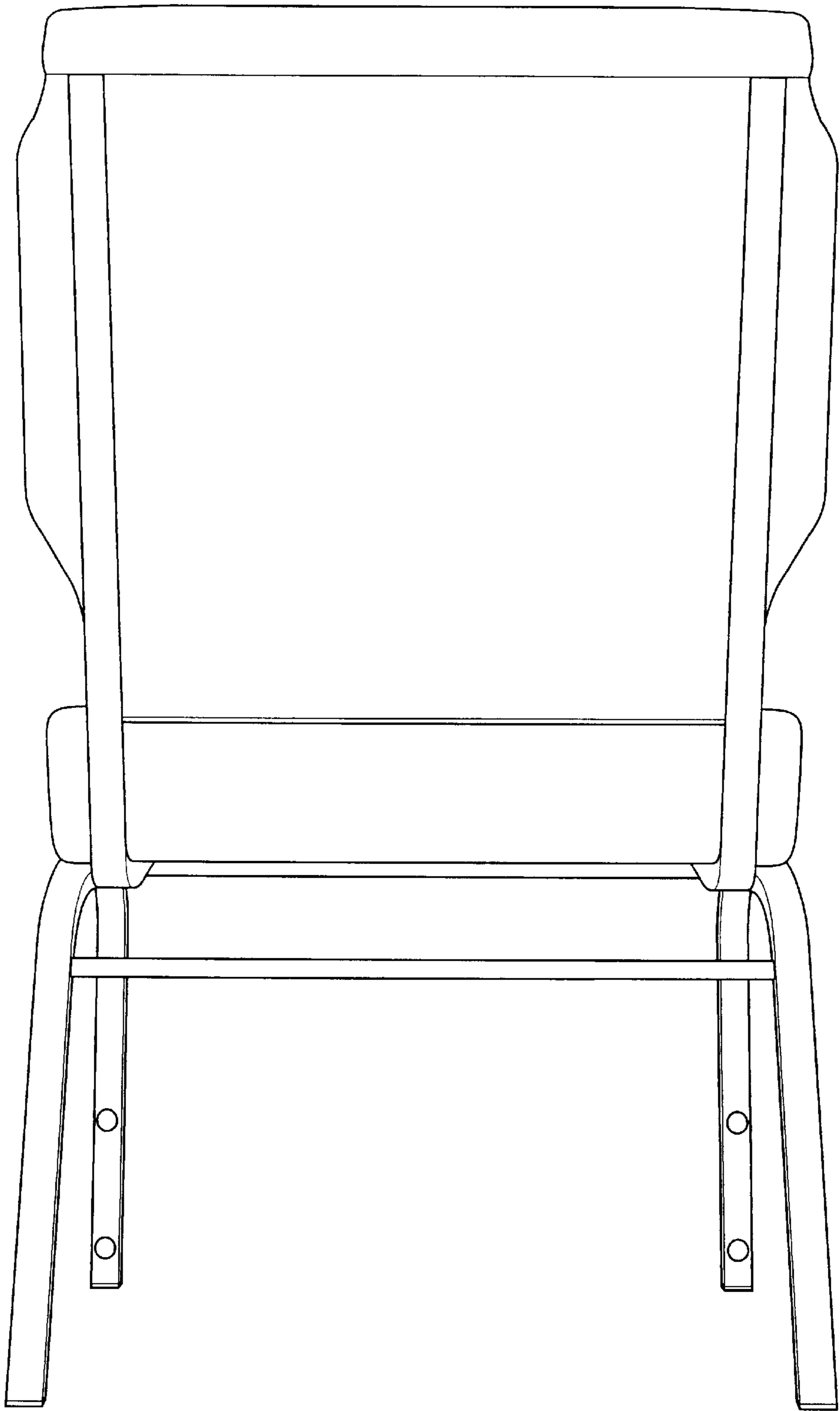


Figure 20

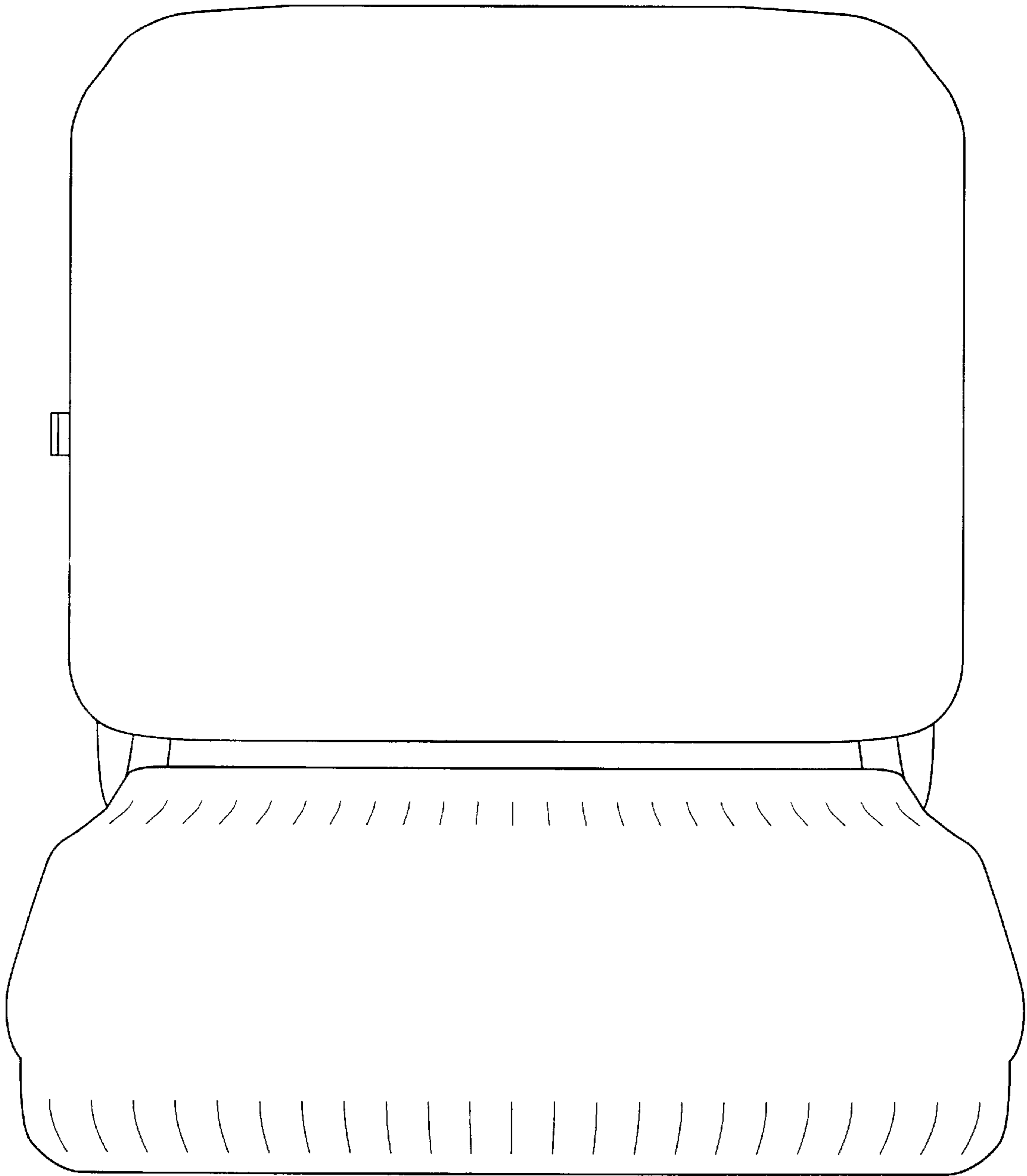


Figure 21

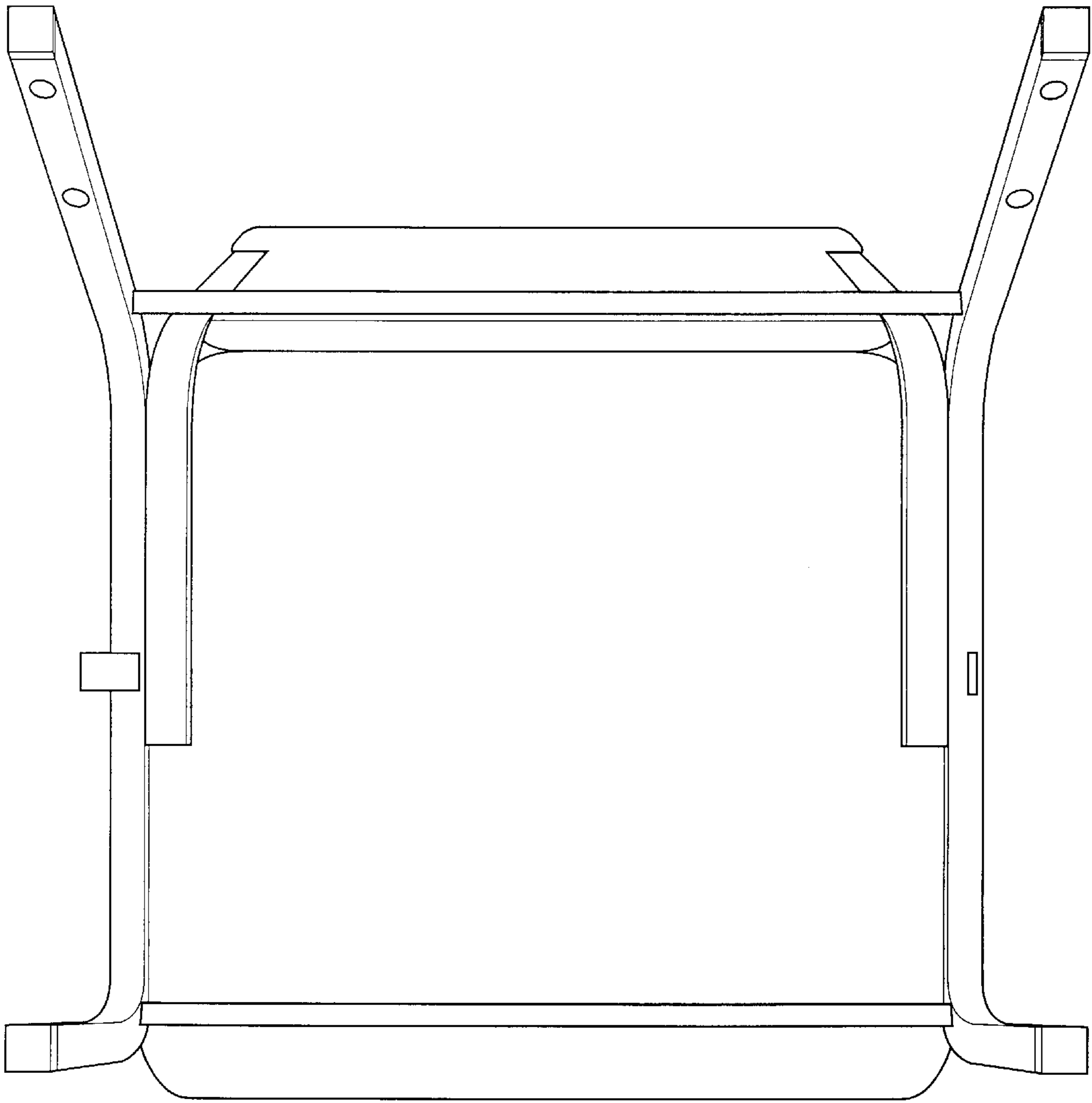


Figure 22