



US00D483575S

(12) **United States Design Patent**
Chan

(10) **Patent No.:** **US D483,575 S**

(45) **Date of Patent:** **** Dec. 16, 2003**

(54) **MIRROR**

(75) Inventor: **Sik-Leung Chan, Tsuen Wan (CN)**

(73) Assignee: **C. C. & L Company Limited, Tsuen Wan (CN)**

(**) Term: **14 Years**

(21) Appl. No.: **29/176,152**

(22) Filed: **Feb. 19, 2003**

(30) **Foreign Application Priority Data**

Oct. 11, 2002 (HK) 0211613

(51) **LOC (7) Cl.** **06-07**

(52) **U.S. Cl.** **D6/310**

(58) **Field of Search** D6/300-303, 308-314;
40/700, 711, 714-716, 720, 721, 722, 765,
790, 798; 359/838, 850, 871; D28/78, 83

(56) **References Cited**

U.S. PATENT DOCUMENTS

3,217,154 A * 11/1965 Owen D28/78

D260,305 S * 8/1981 MacGregor et al. D6/308
D283,086 S * 3/1986 Weinhart D6/308
D283,853 S * 5/1986 Wistrand D6/308
D313,126 S * 12/1990 Ratslaff et al. D6/308

* cited by examiner

Primary Examiner—Janice E. Seeger

(74) *Attorney, Agent, or Firm*—Alix, Yale & Ristas, LLP

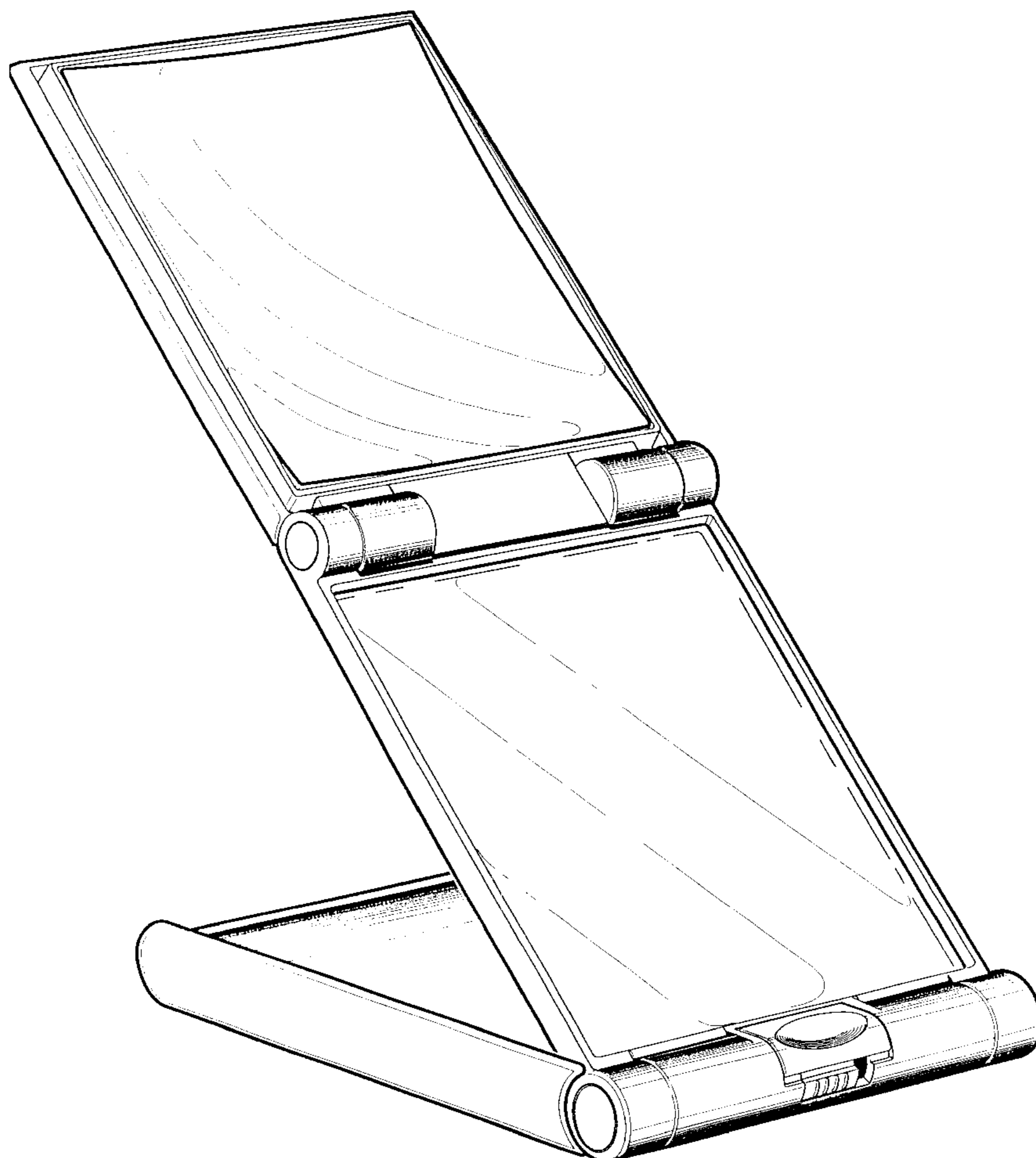
(57) **CLAIM**

The ornamental design for a mirror, as shown and described.

DESCRIPTION

FIG. 1 is a front elevational view of a mirror showing my new design;
FIG. 2 is a top plan view thereof;
FIG. 3 is a right side elevational view thereof;
FIG. 4 is a left side elevational view thereof;
FIG. 5 is a bottom plan view thereof;
FIG. 6 is a rear elevational view thereof; and,
FIG. 7 is a front perspective view in opened position thereof.

1 Claim, 2 Drawing Sheets



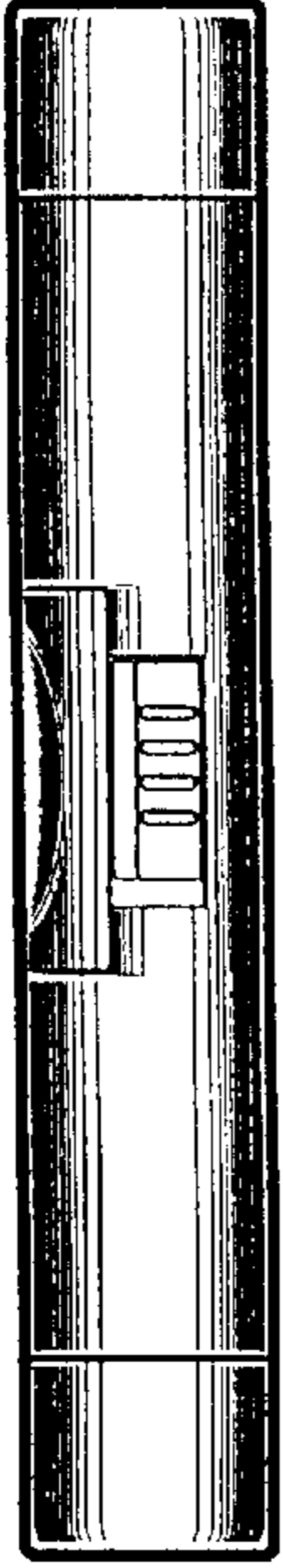


Fig. 5

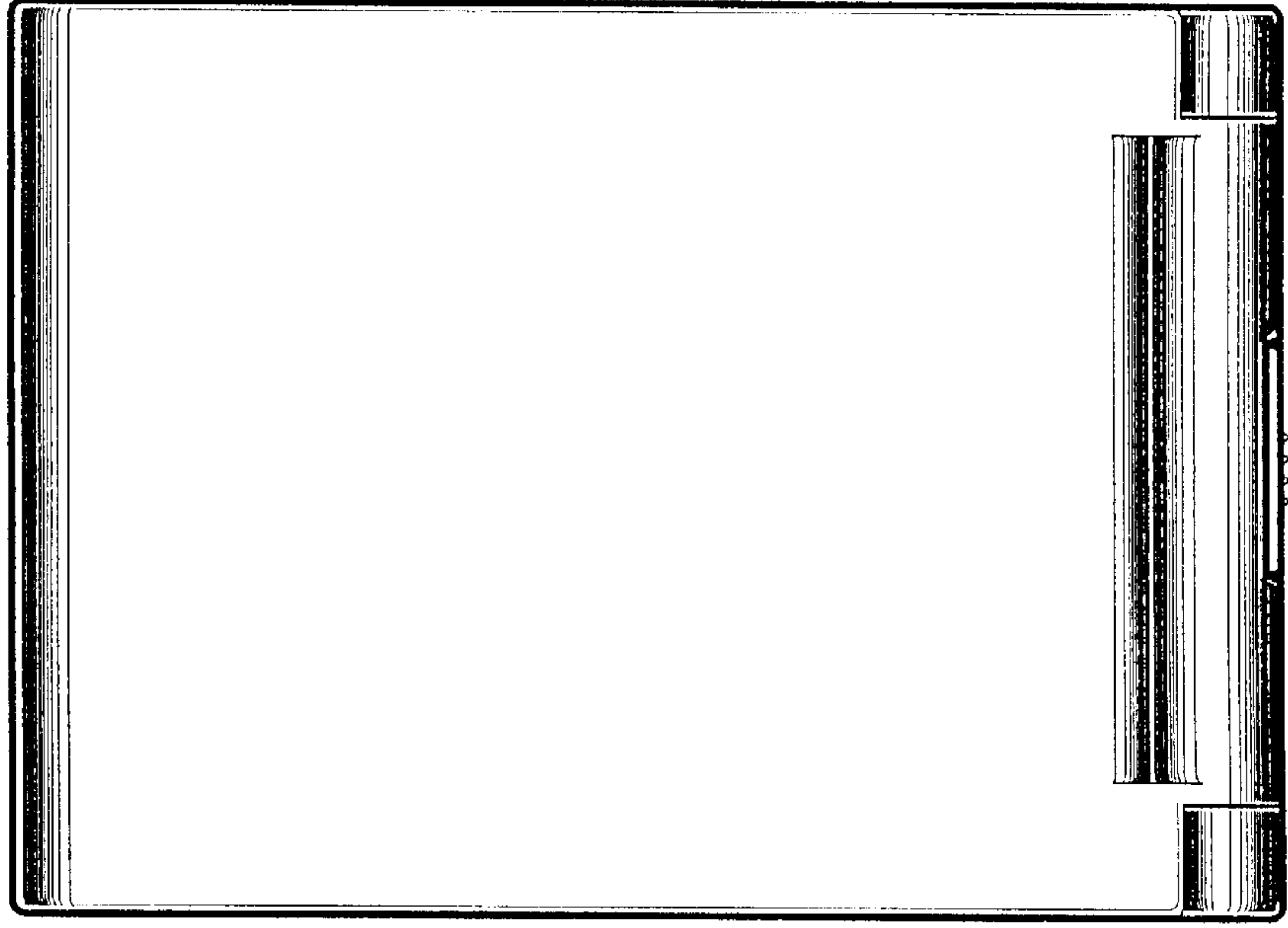


Fig. 6

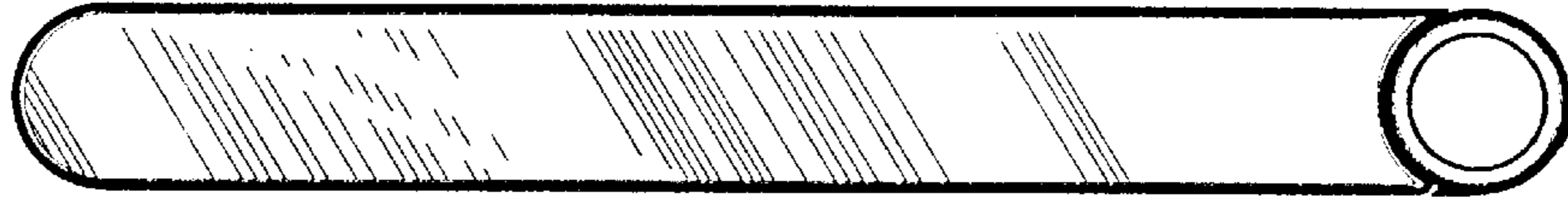


Fig. 3

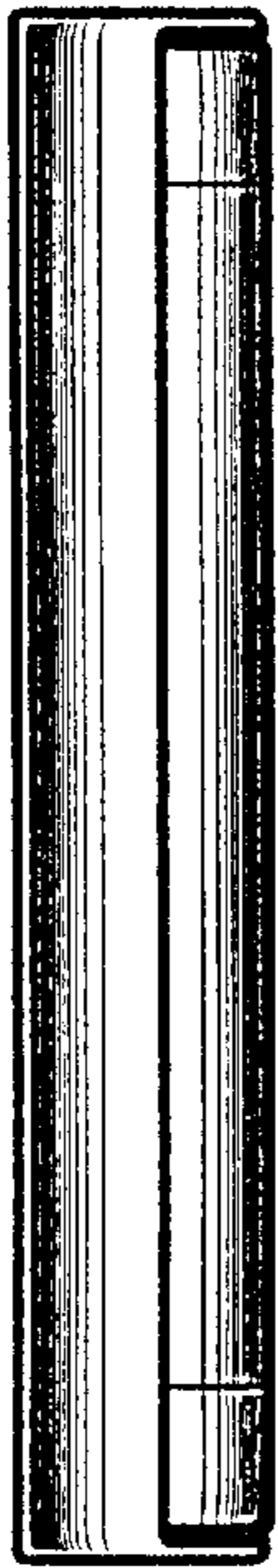


Fig. 2

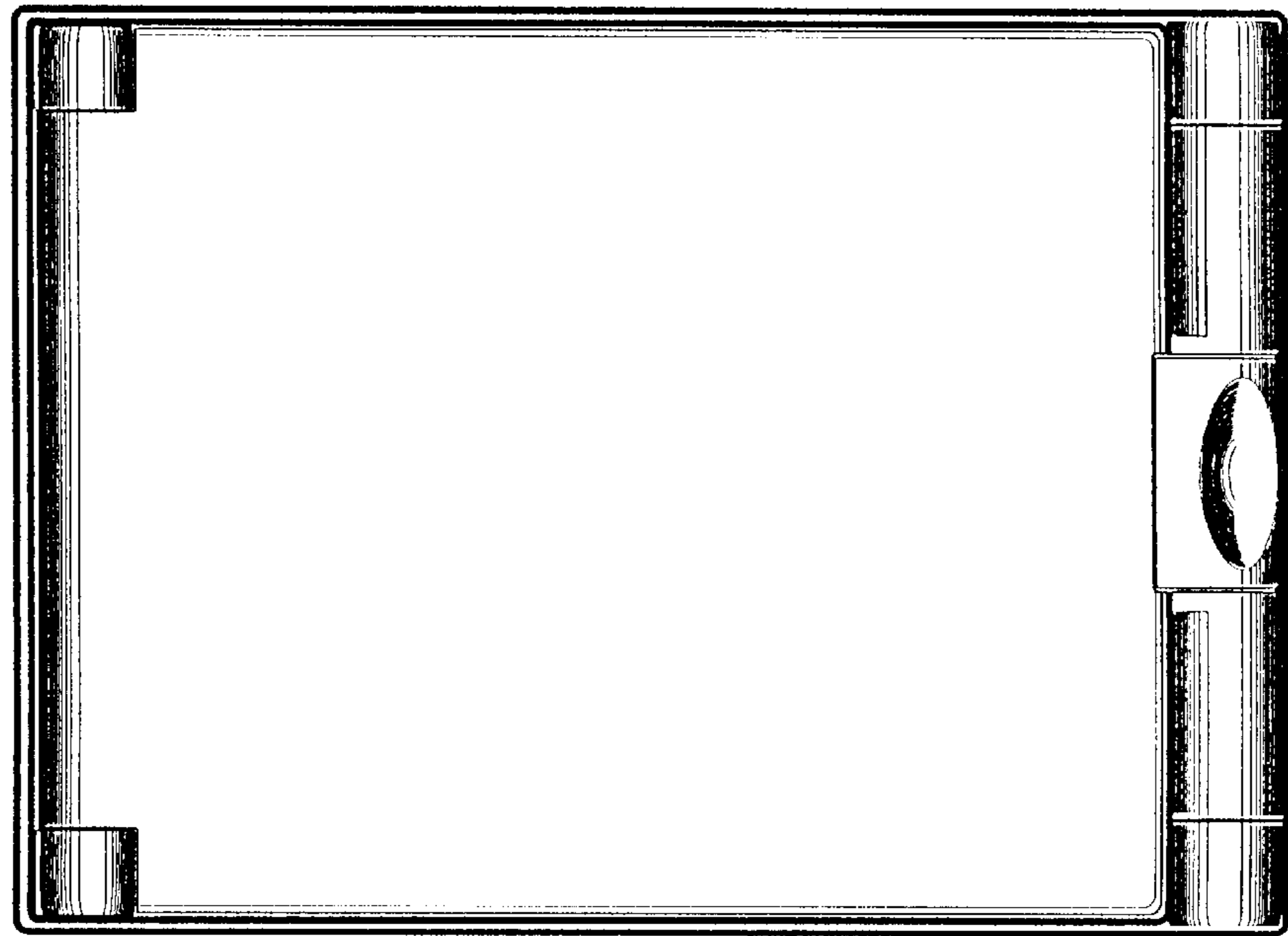


Fig. 1

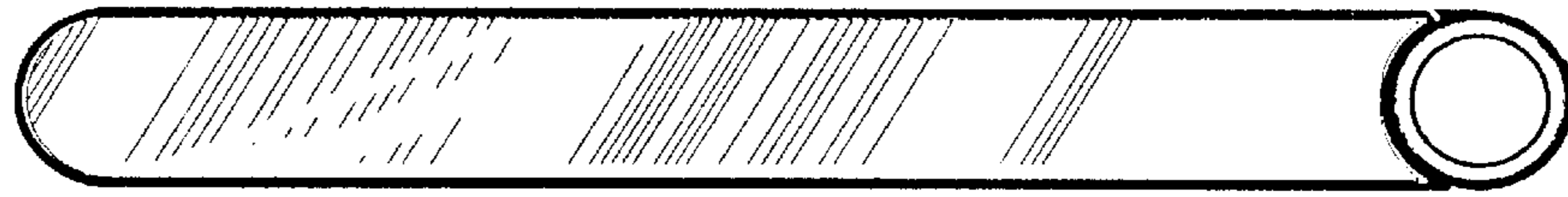


Fig. 4

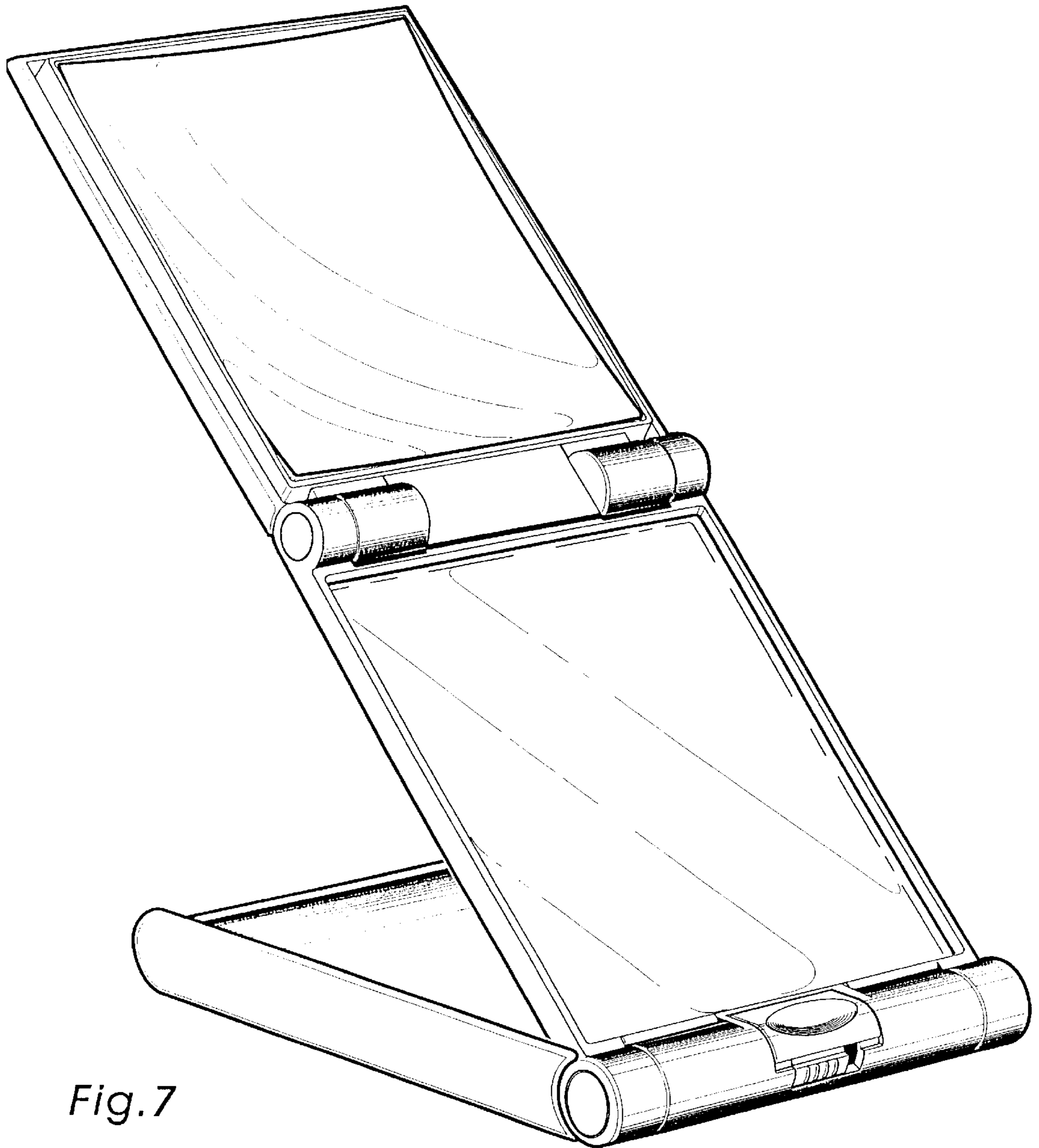


Fig. 7