



US00D483560S

(12) **United States Design Patent**
Thompson

(10) **Patent No.:** **US D483,560 S**

(45) **Date of Patent:** **** Dec. 16, 2003**

(54) **PILL HOLDER**

(75) Inventor: **Rick L. Thompson**, Burlington, IA (US)

(73) Assignee: **Burlington Basket Company**, Burlington, IA (US)

(**) Term: **14 Years**

(21) Appl. No.: **29/175,740**

(22) Filed: **Feb. 10, 2003**

(51) **LOC (7) Cl.** **03-01**

(52) **U.S. Cl.** **D3/203**

(58) **Field of Search** D3/203, 201, 205, D3/215, 283, 274; D9/341, 448, 347, 339, 422; 206/533, 534, 538, 704; D10/37

(56) **References Cited**

U.S. PATENT DOCUMENTS

D348,562 S	*	7/1994	Smith	D3/203
D414,433 S	*	9/1999	Crow	D10/37
D458,016 S	*	6/2002	Christianson	D3/203
D476,886 S	*	7/2003	Christianson	D9/422

* cited by examiner

Primary Examiner—Catherine R. Oliver

(74) *Attorney, Agent, or Firm*—McKee, Voorhees & Sease, P.L.C.

(57) **CLAIM**

The ornamental design for a pill holder, as substantially shown and described.

DESCRIPTION

FIG. 1 is a front elevational view of the pill holder of this invention.

FIG. 2 is a rear elevational view thereof.

FIG. 3 is a side elevational view from the right side as viewed in FIG. 1.

FIG. 4 is a side elevational view from the left side as viewed in FIG. 1.

FIG. 5 is a bottom plan view thereof.

FIG. 6 is a top plan view thereof.

FIG. 7 is a front elevational view of the pill holder showing the door on the rear side in an open position;

FIG. 8 is a rear elevational view thereof.

FIG. 9 is a side elevational view from the right side as viewed in FIG. 7.

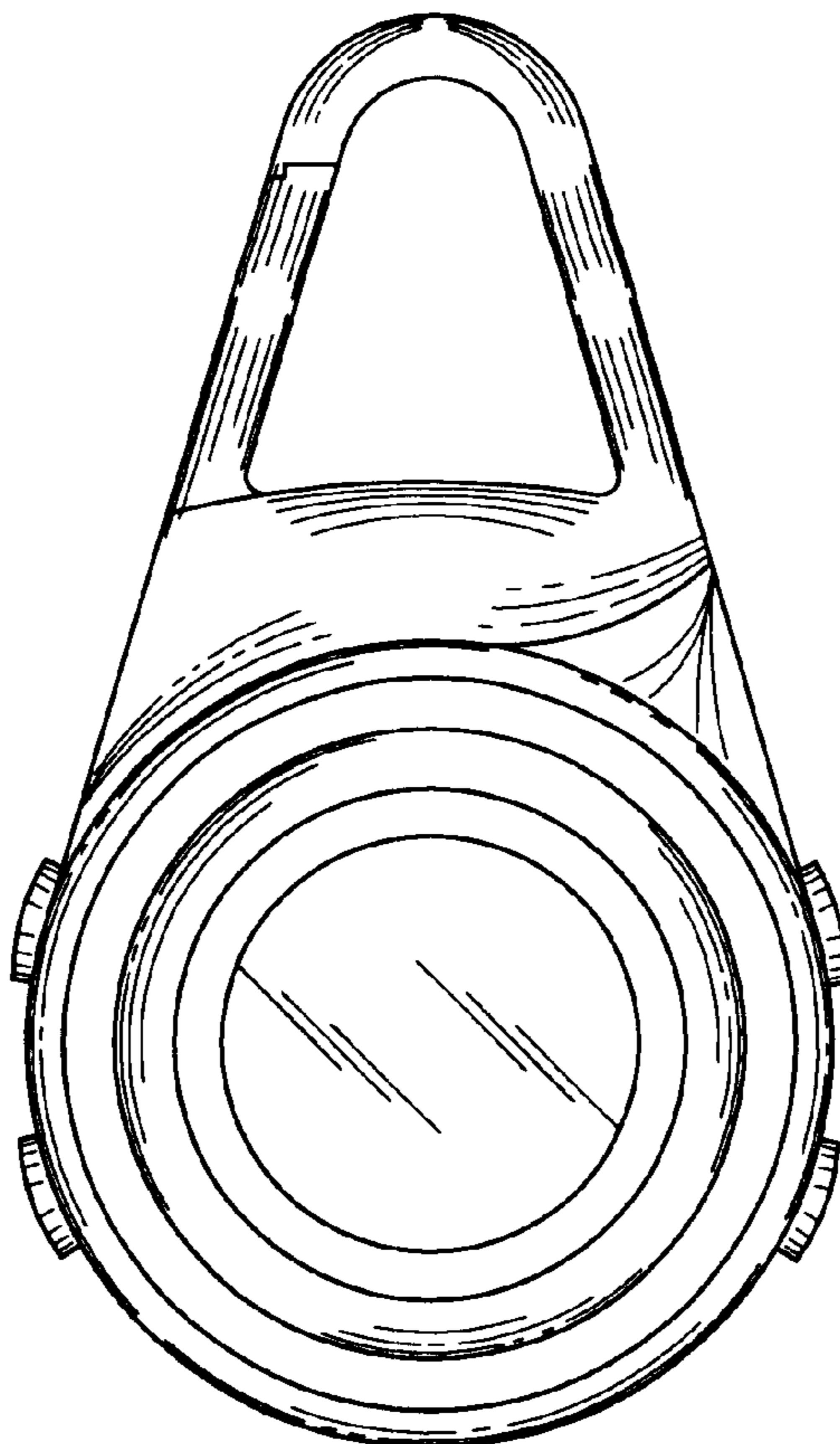
FIG. 10 is a side elevational view from the left side as viewed in FIG. 7.

FIG. 11 is a bottom plan view thereof.

FIG. 12 is a top plan view thereof; and,

FIG. 13 is a front elevational view of an alternate embodiment.

1 Claim, 4 Drawing Sheets



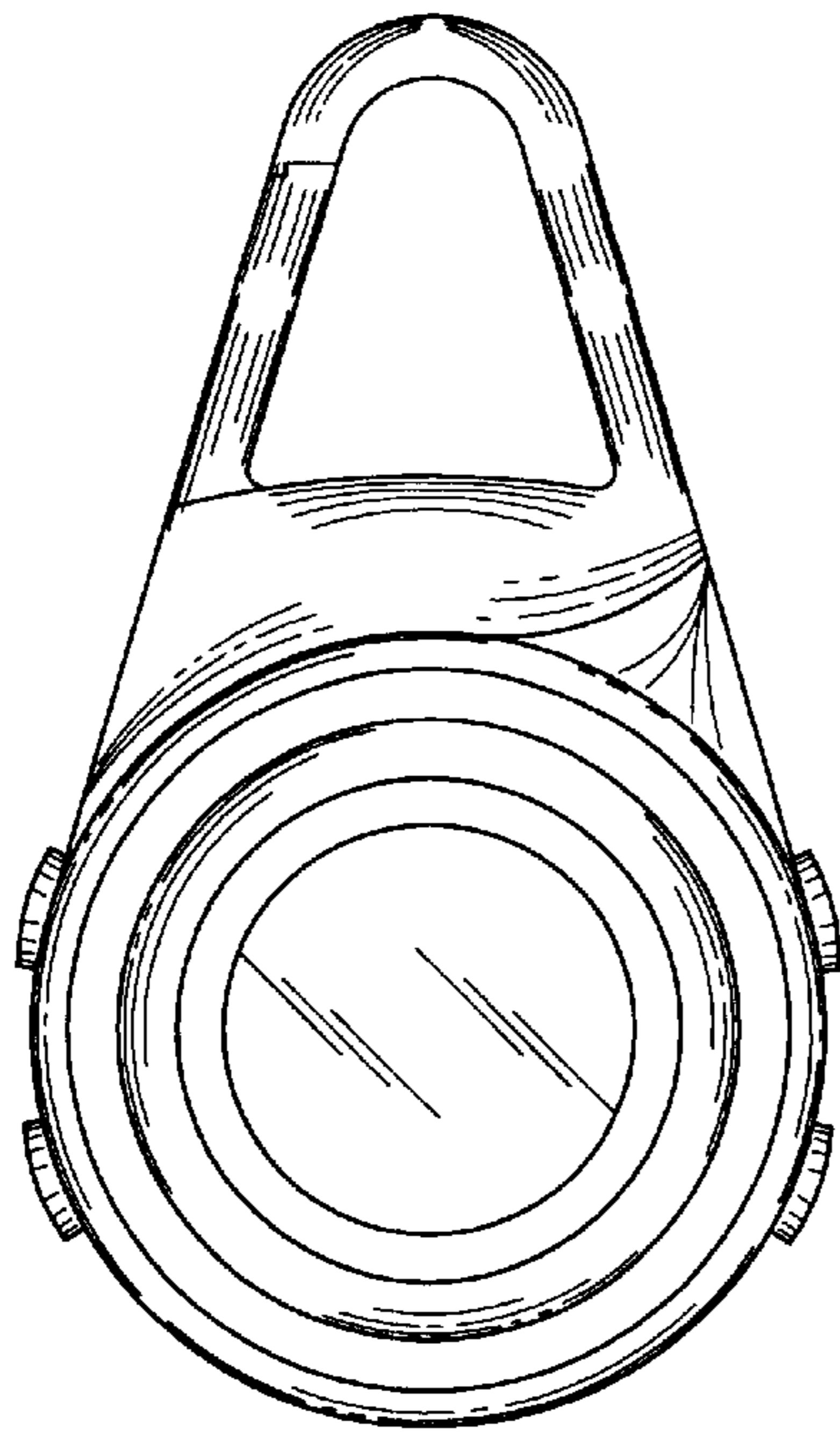


Fig. 1

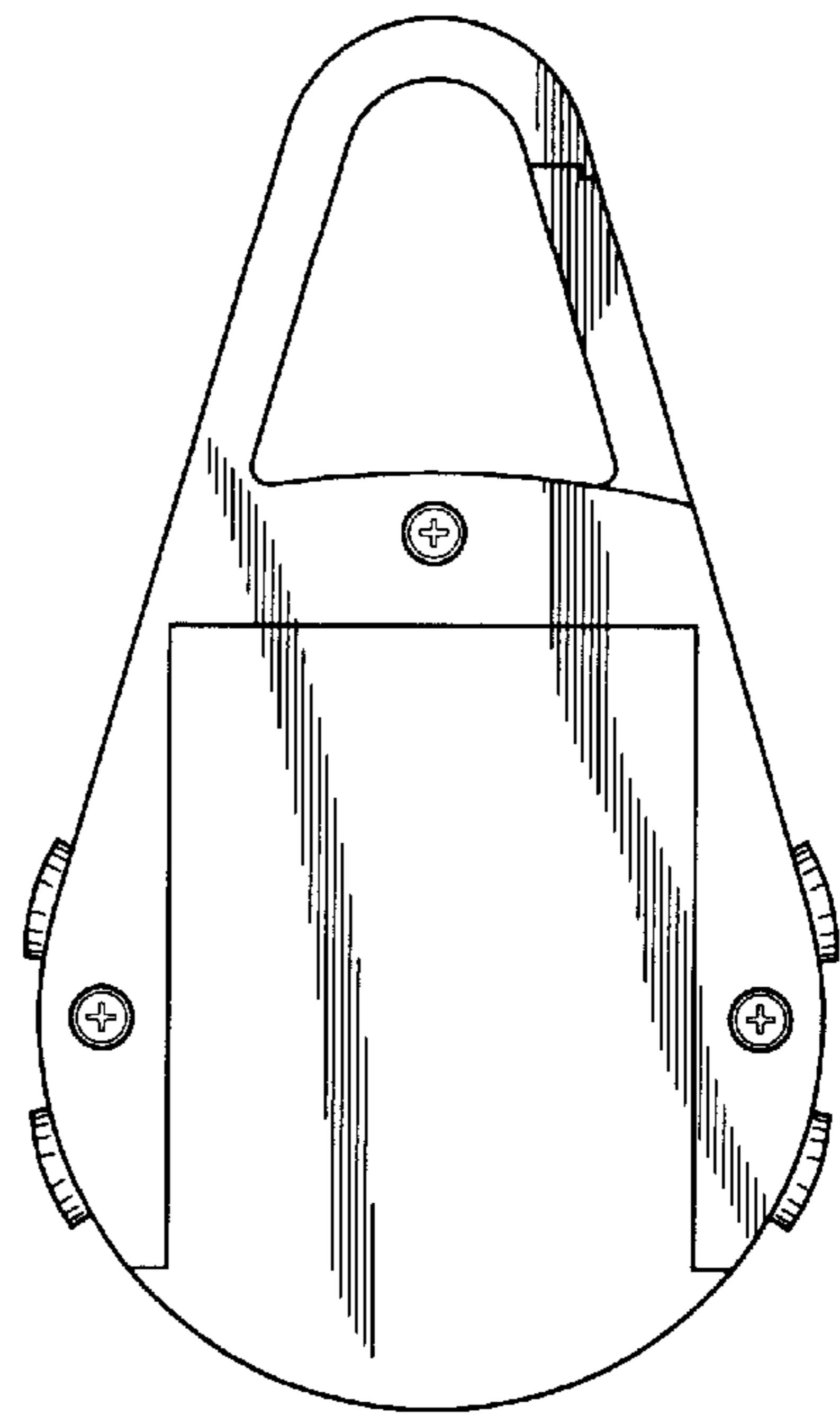


Fig. 2

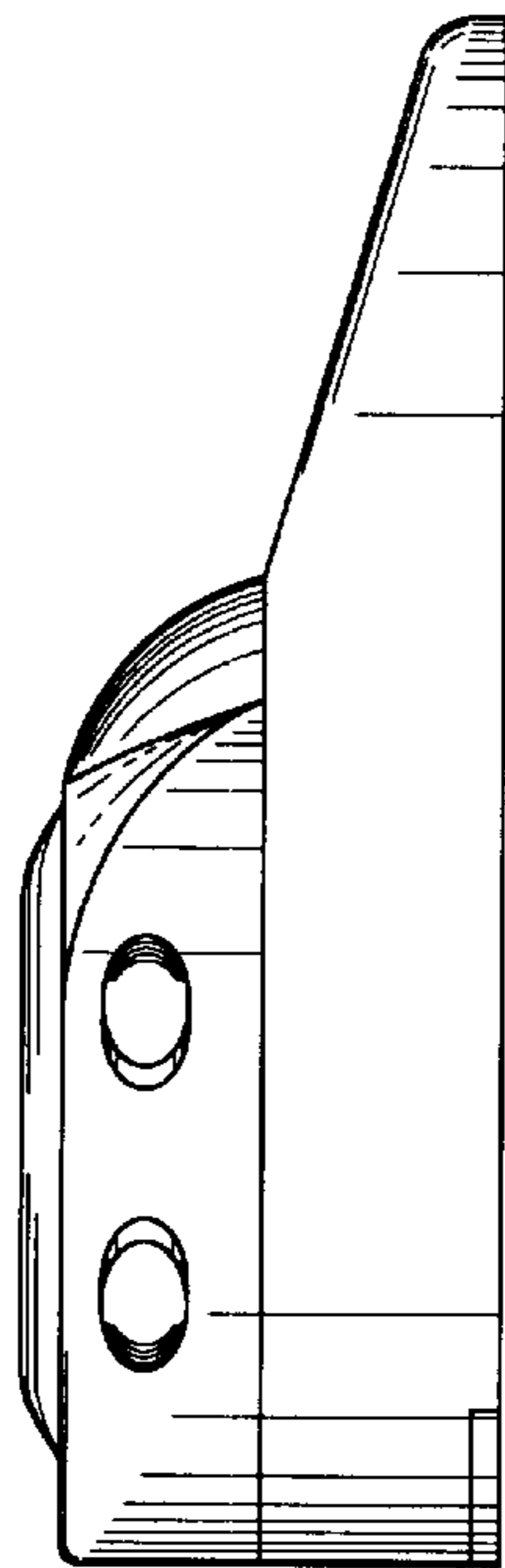


Fig. 3

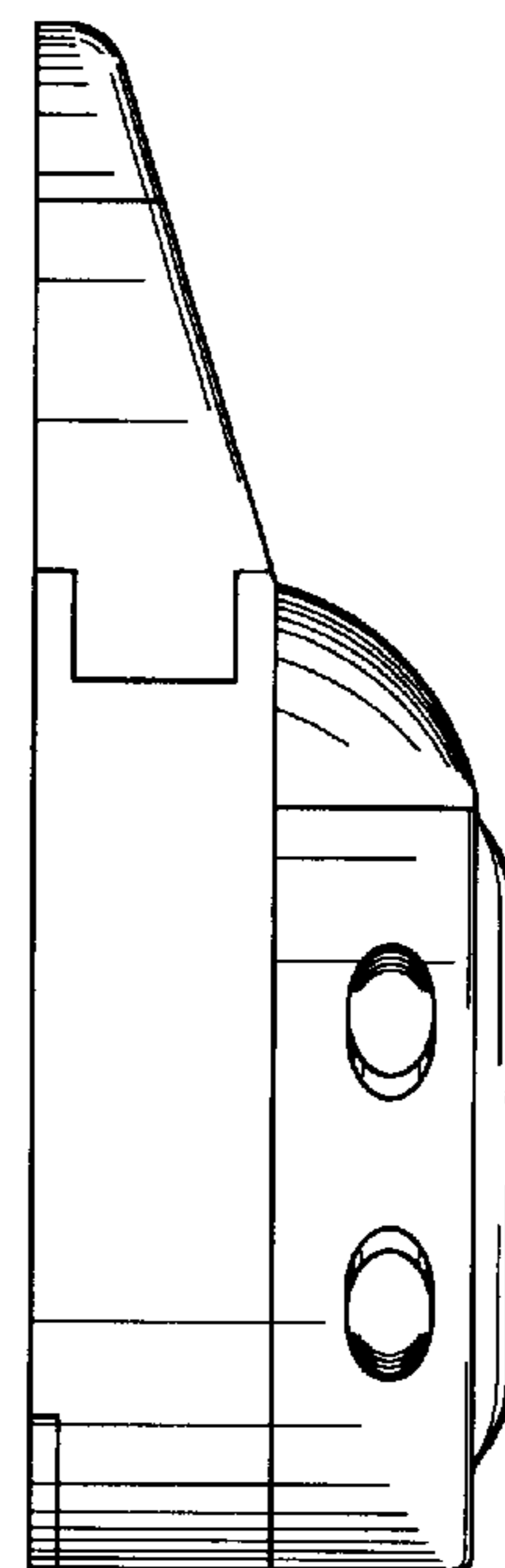


Fig. 4

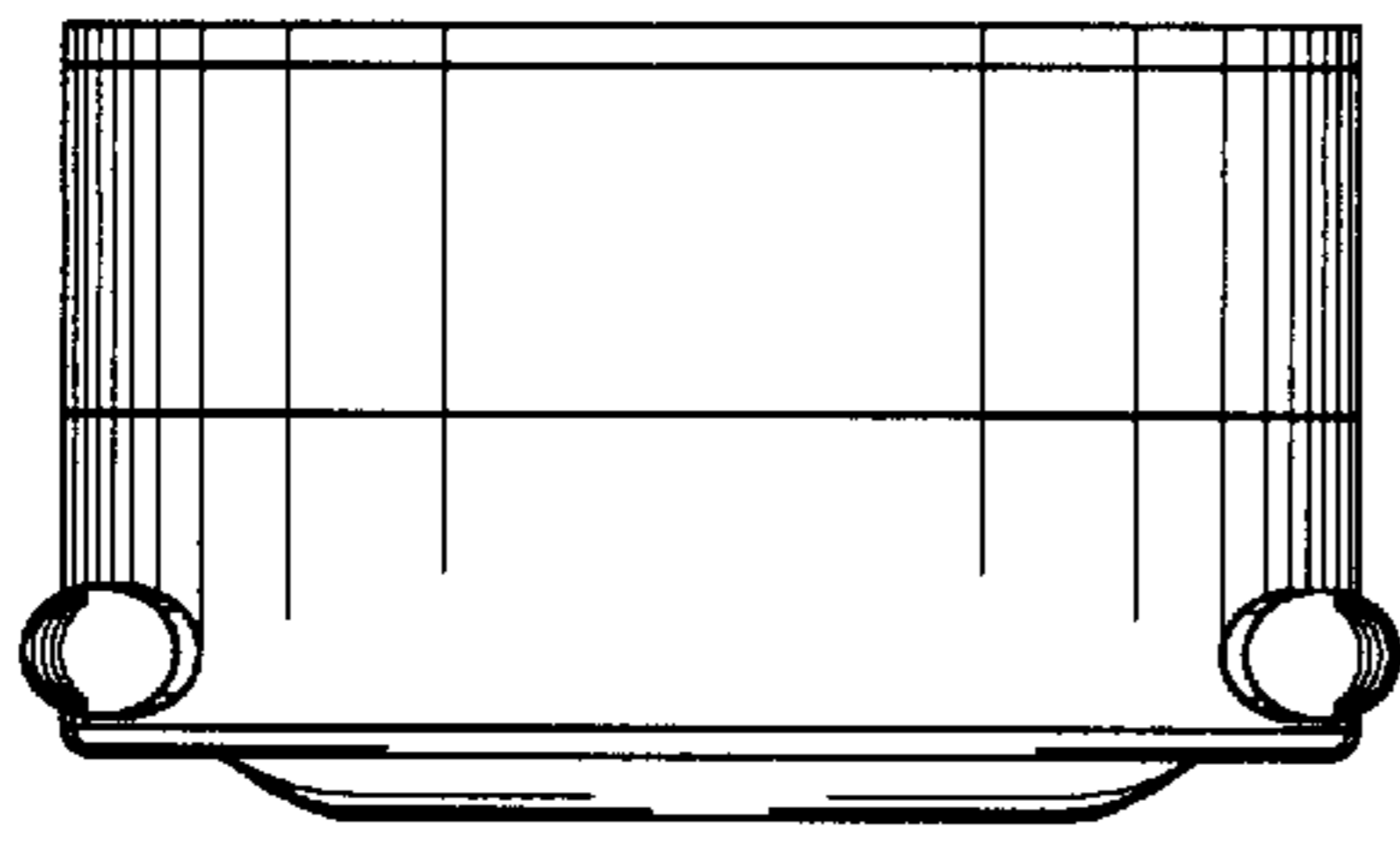


Fig. 5

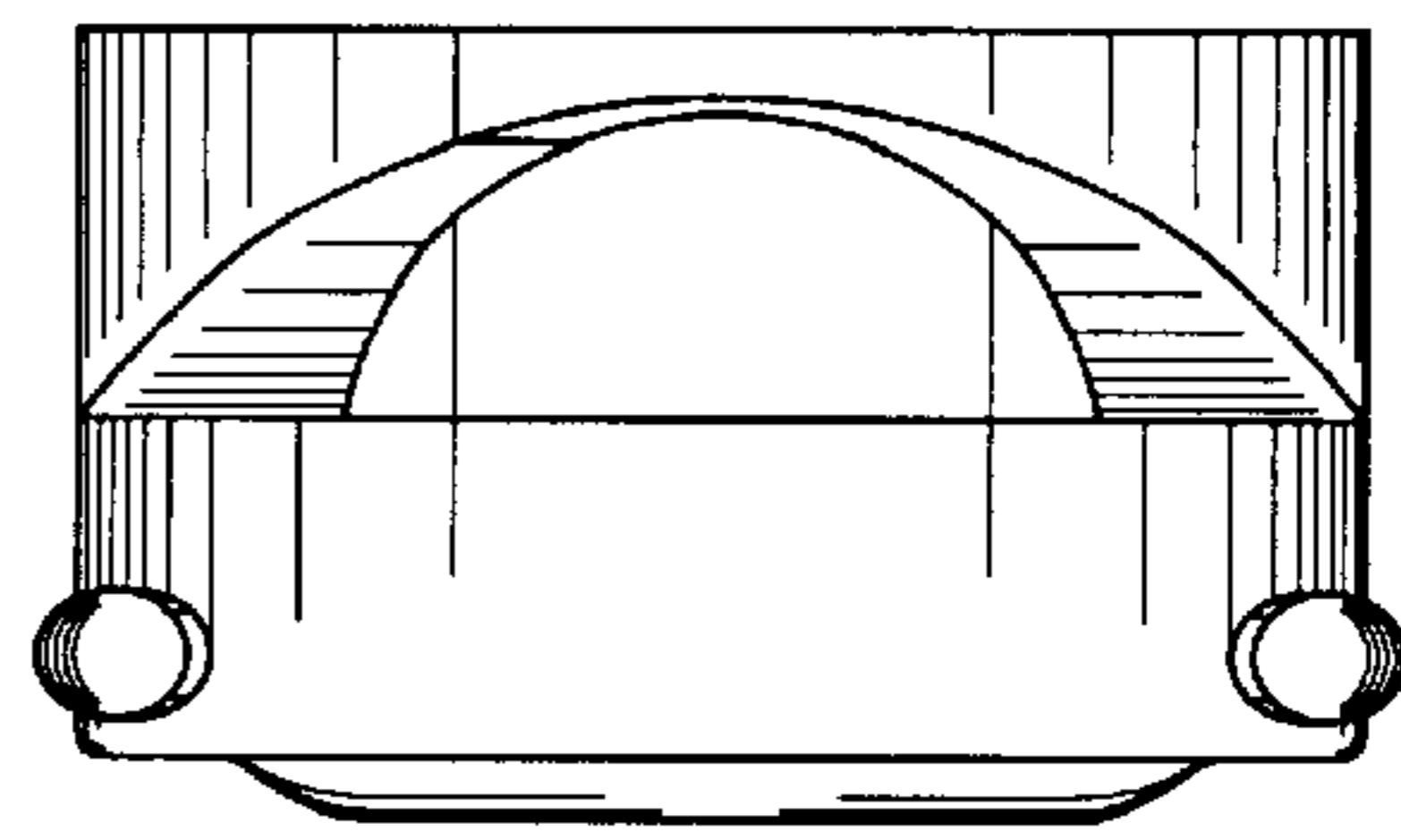


Fig. 6

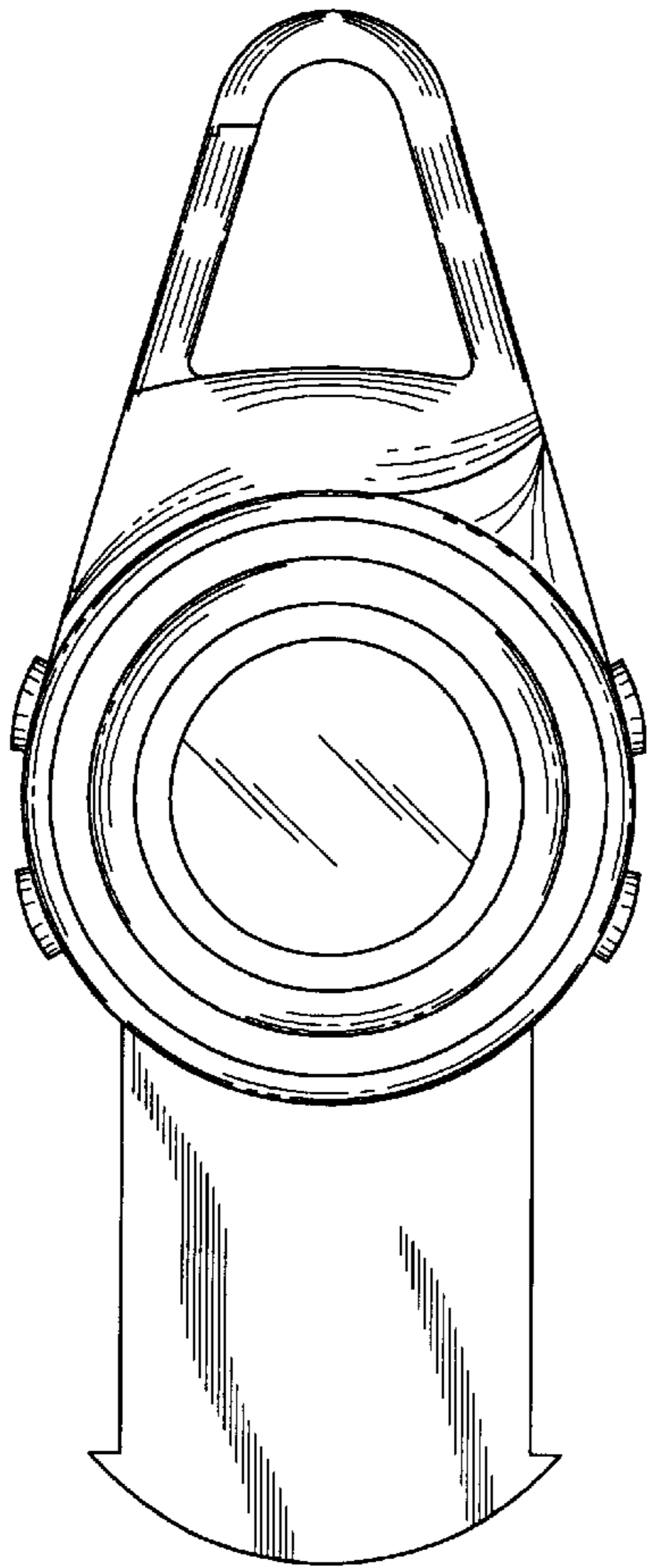


Fig. 7

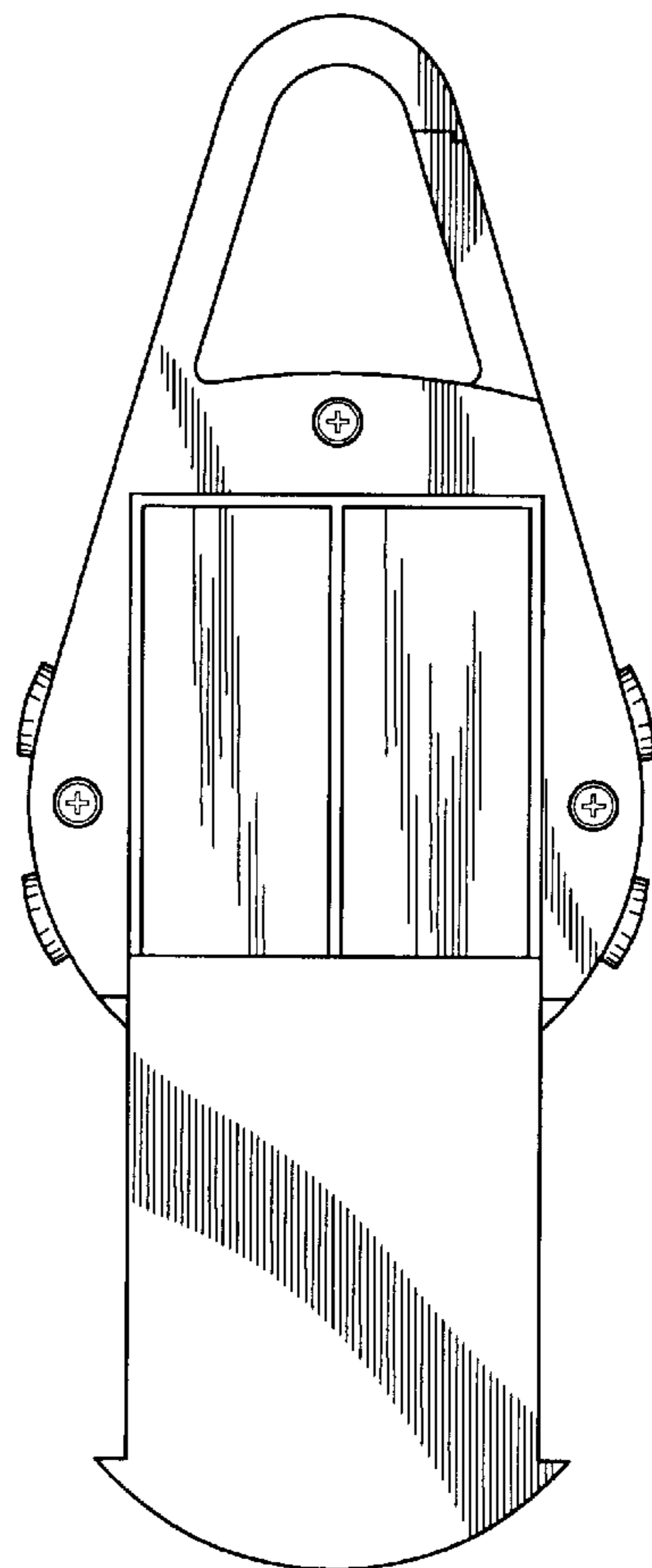


Fig. 8

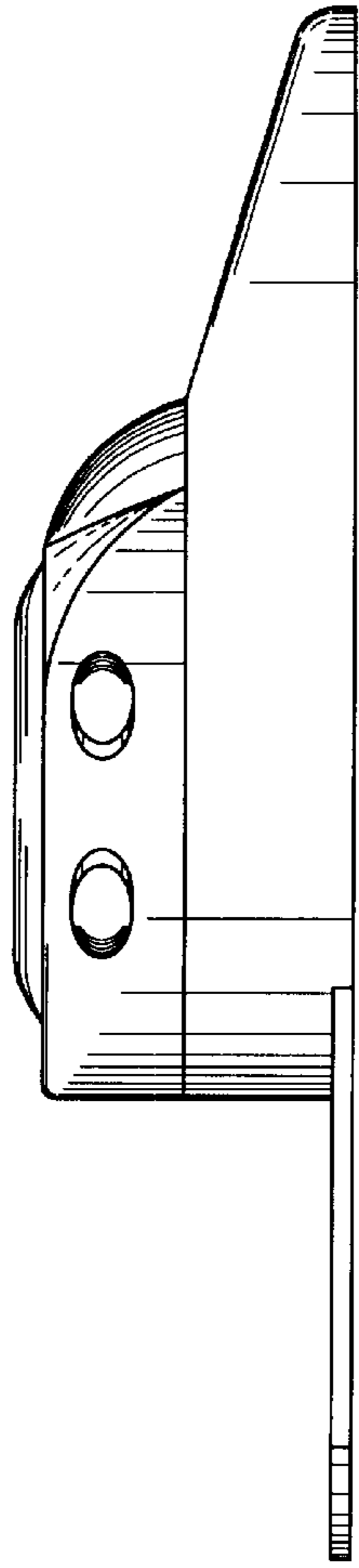


Fig. 9

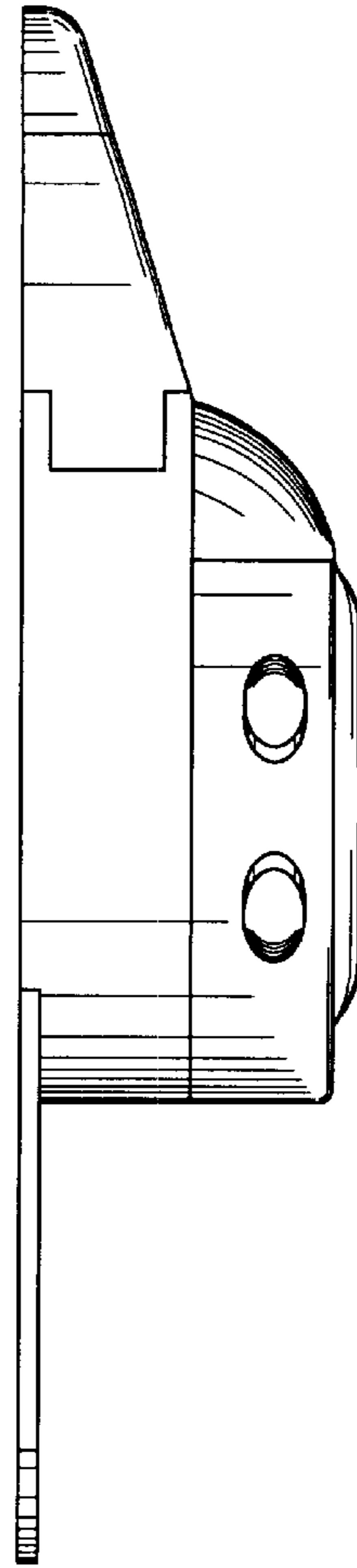


Fig. 10

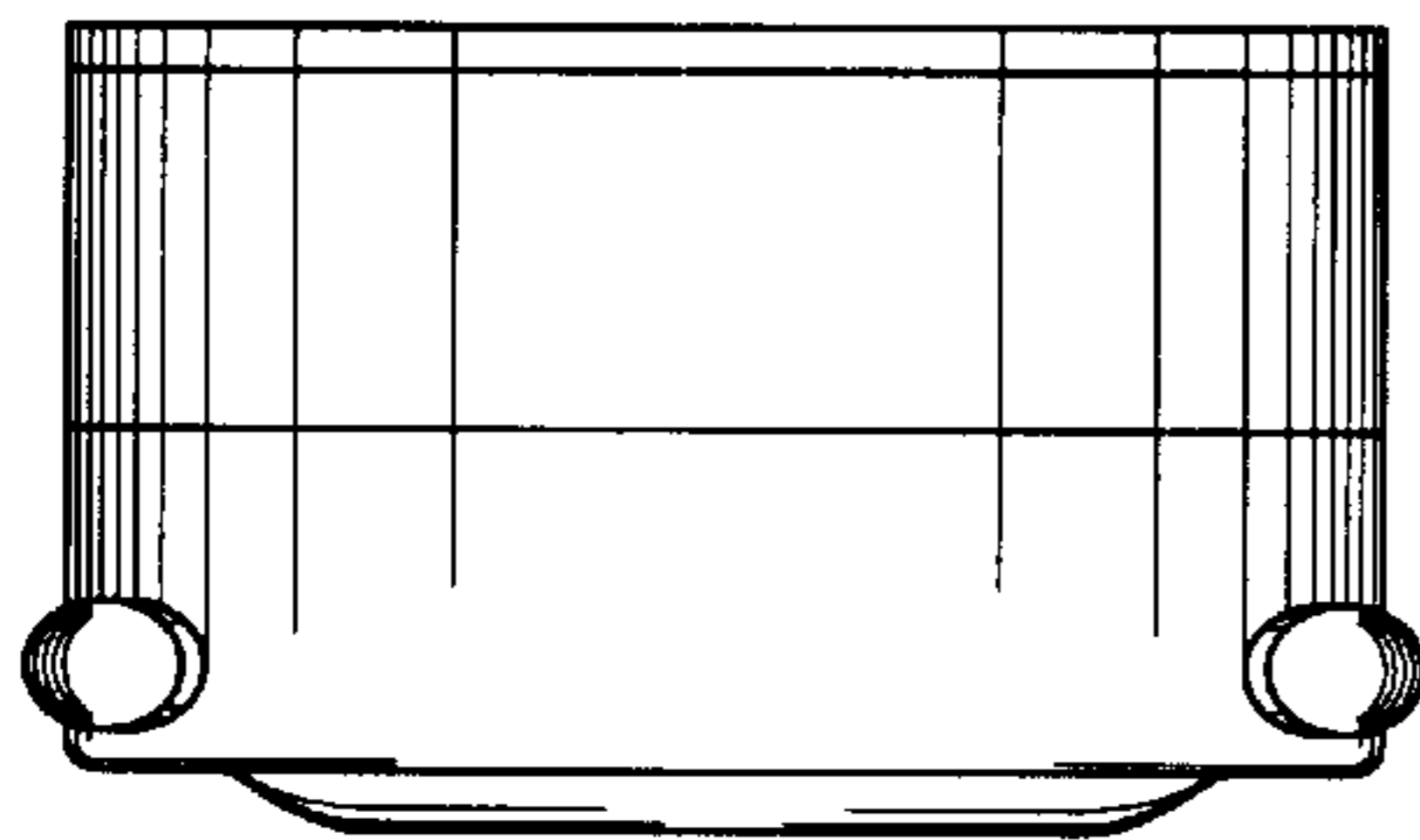


Fig. 11

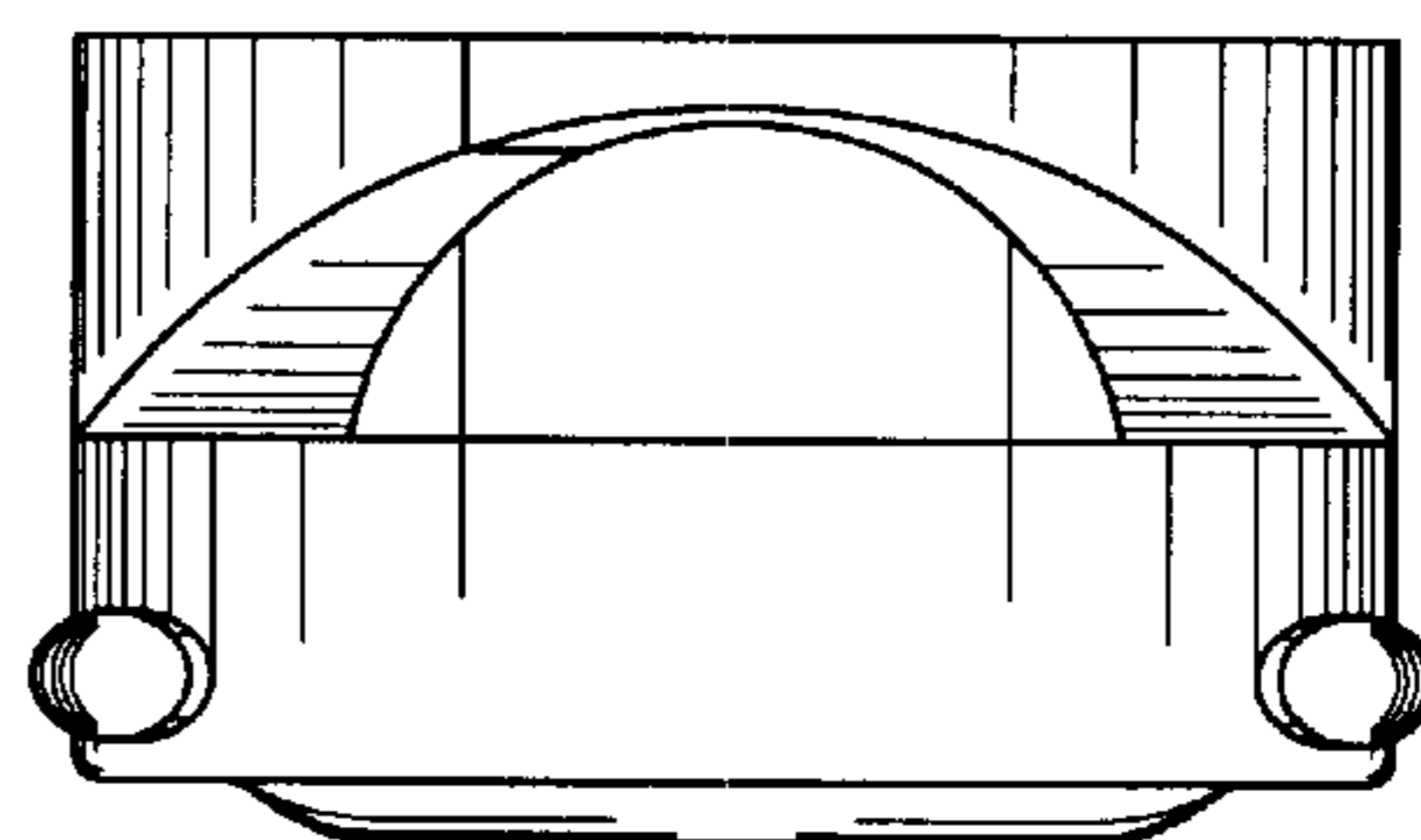


Fig. 12

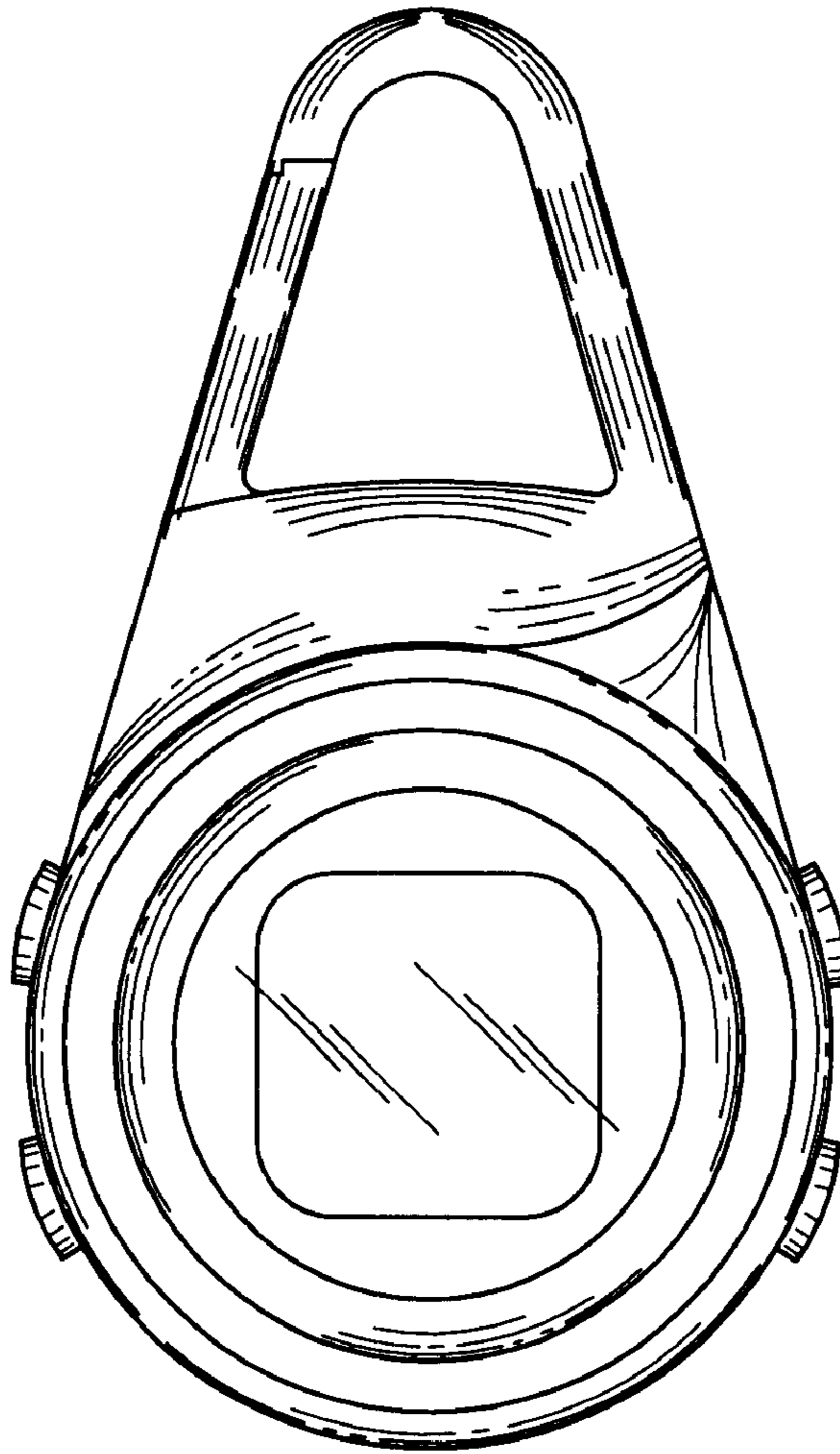


Fig. 13