



US00D483553S

(12) **United States Design Patent**  
**Kacian**

(10) **Patent No.:** **US D483,553 S**

(45) **Date of Patent:** **\*\* Dec. 16, 2003**

(54) **GOLFER'S BOOT**

(76) **Inventor:** **Chester W Kacian**, 234 Sinclair  
Marina Rd. NE. Lot #4, Milledgeville,  
GA (US) 31061

(\*\*) **Term:** **14 Years**

(21) **Appl. No.:** **29/168,318**

(22) **Filed:** **Sep. 30, 2002**

(51) **LOC (7) Cl.** ..... **02-04**

(52) **U.S. Cl.** ..... **D2/911; D2/954**

(58) **Field of Search** ..... D2/896, 909-912,  
D2/951, 954, 970; 36/1, 59 C, 4, 83, 109,  
58.5, 71 R

(56) **References Cited**

**U.S. PATENT DOCUMENTS**

237,667	A	*	2/1881	Beattie	.....	36/1
2,090,881	A	*	8/1937	Wilson	.....	36/59 C
D139,007	S	*	10/1944	Crotty	.....	D2/911
D164,977	S	*	10/1951	Bingham, Jr.	.....	D2/911
D171,331	S	*	1/1954	Haines et al.	.....	D2/954
2,728,999	A	*	1/1956	L'Hollier	.....	36/4
D206,222	S	*	11/1966	Mostile	.....	D2/954
D216,941	S	*	3/1970	Schwartz	.....	D2/910
D233,636	S	*	11/1974	Schneider	.....	D2/910

D290,303	S	*	6/1987	Womack	.....	D2/910
D345,044	S	*	3/1994	Mudd	.....	D2/911
D442,356	S	*	5/2001	Aschenbrenner	.....	D2/909
D450,176	S	*	11/2001	Hall	.....	D2/911

\* cited by examiner

*Primary Examiner*—Dominic Simone

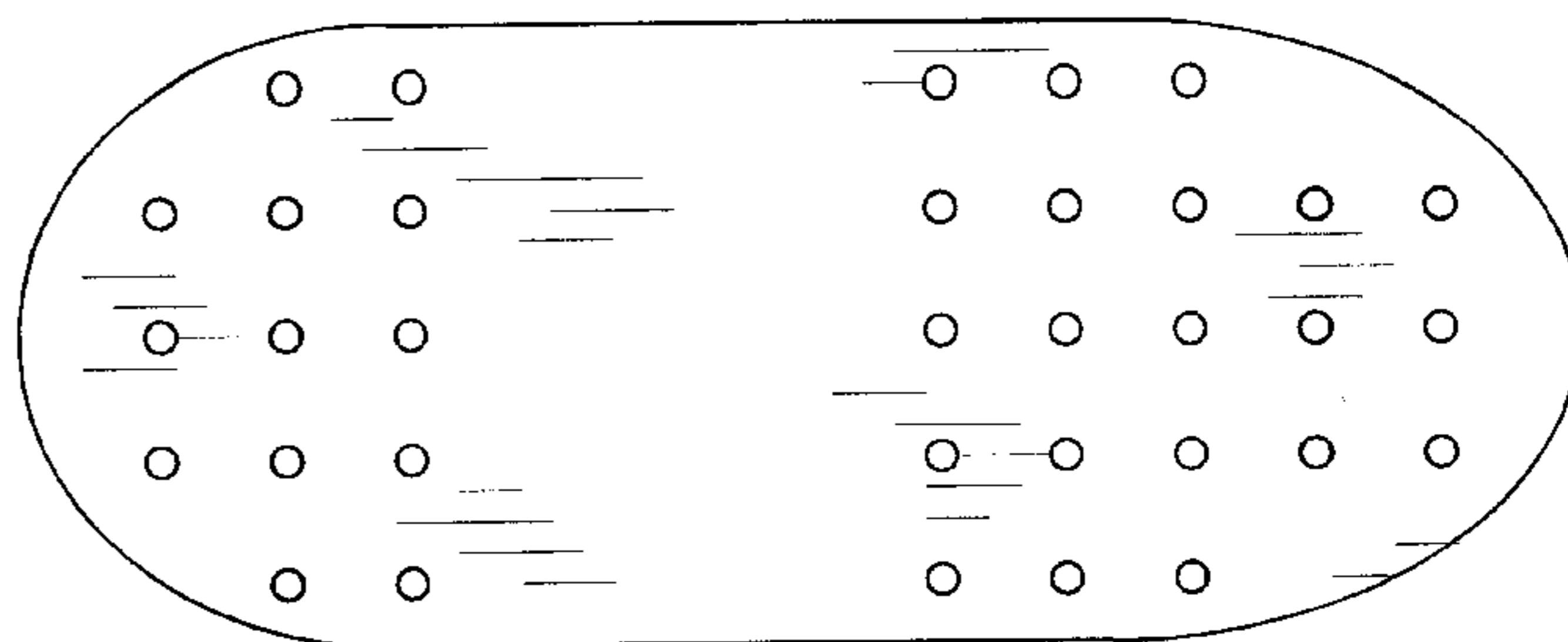
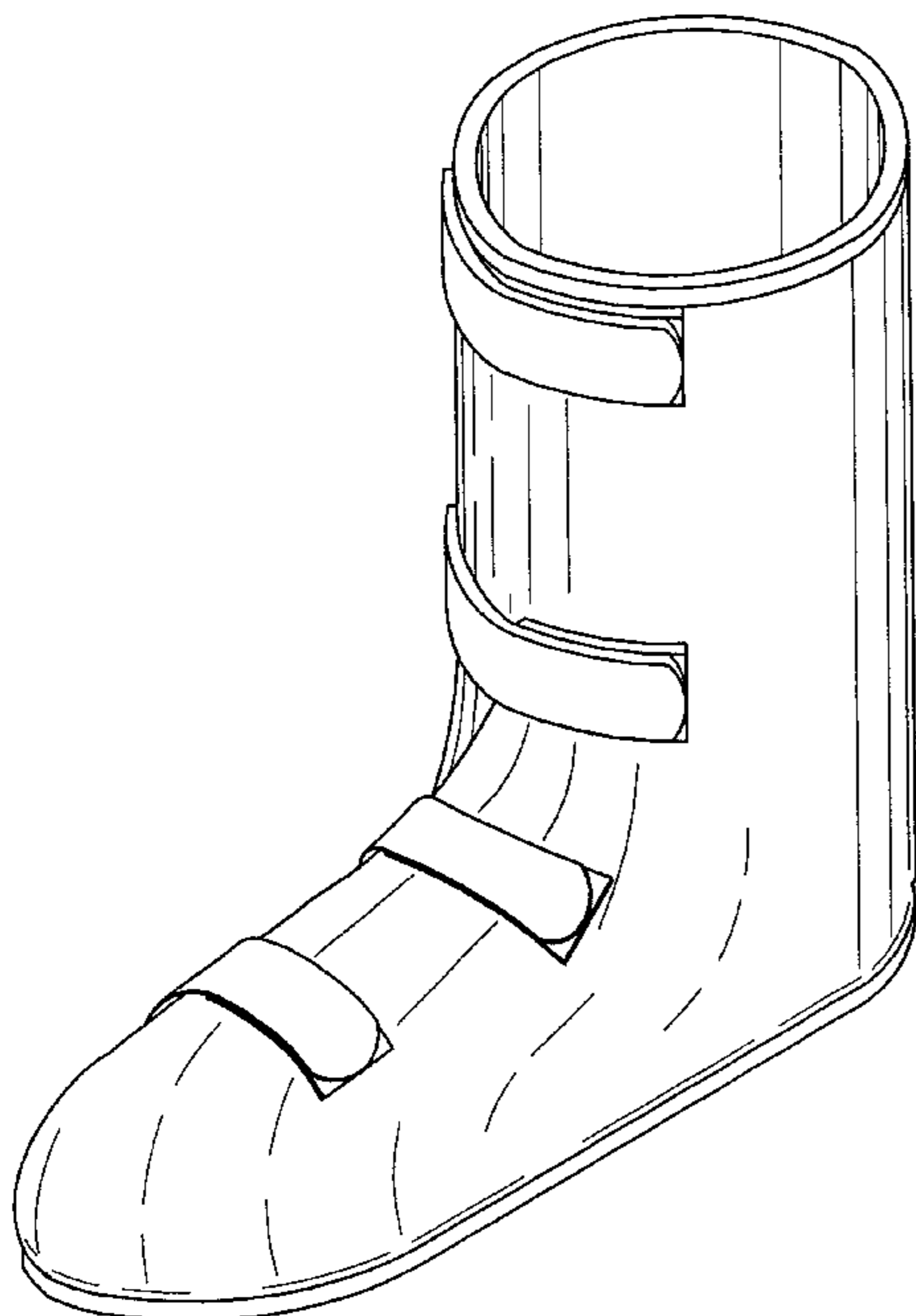
(57) **CLAIM**

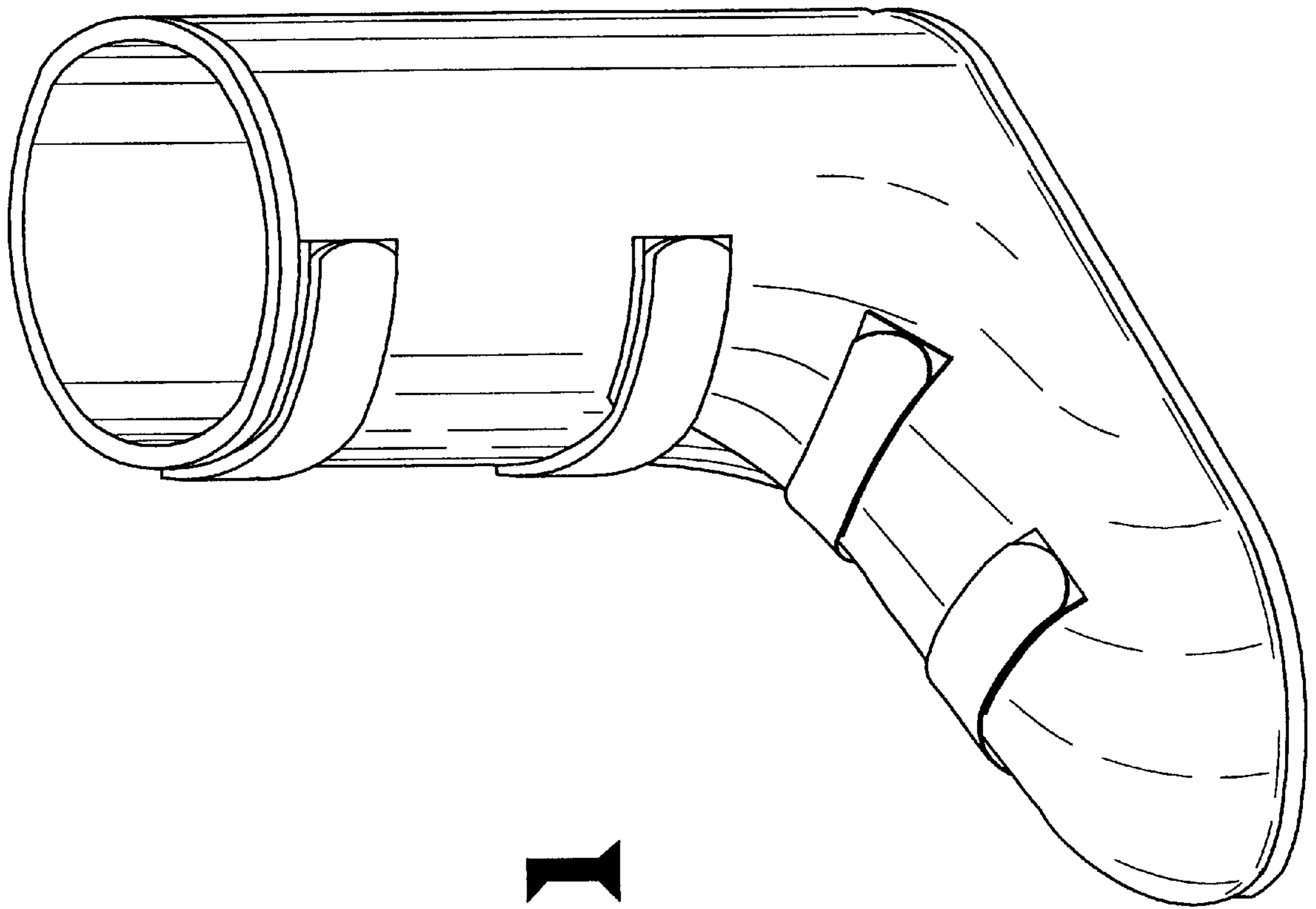
The ornamental design for a golfer's boot, as shown and described.

**DESCRIPTION**

FIG. 1 is a front, top, right side perspective view of the golfer's boot of the present invention;  
 FIG. 2 is a left side elevational view of the golfer's boot of FIG. 1;  
 FIG. 3 is a front elevational view of the golfer's boot of FIG. 1;  
 FIG. 4 is a rear elevational view of the golfer's boot of FIG. 1;  
 FIG. 5 is a top plan view of the golfer's boot of FIG. 1;  
 FIG. 6 is a bottom plan view of the golfer's boot of FIG. 1;  
 and,  
 FIG. 7 is a cross-sectional view of the golfer's boot of FIG. 1 taken along line 7—7 of FIG. 1.

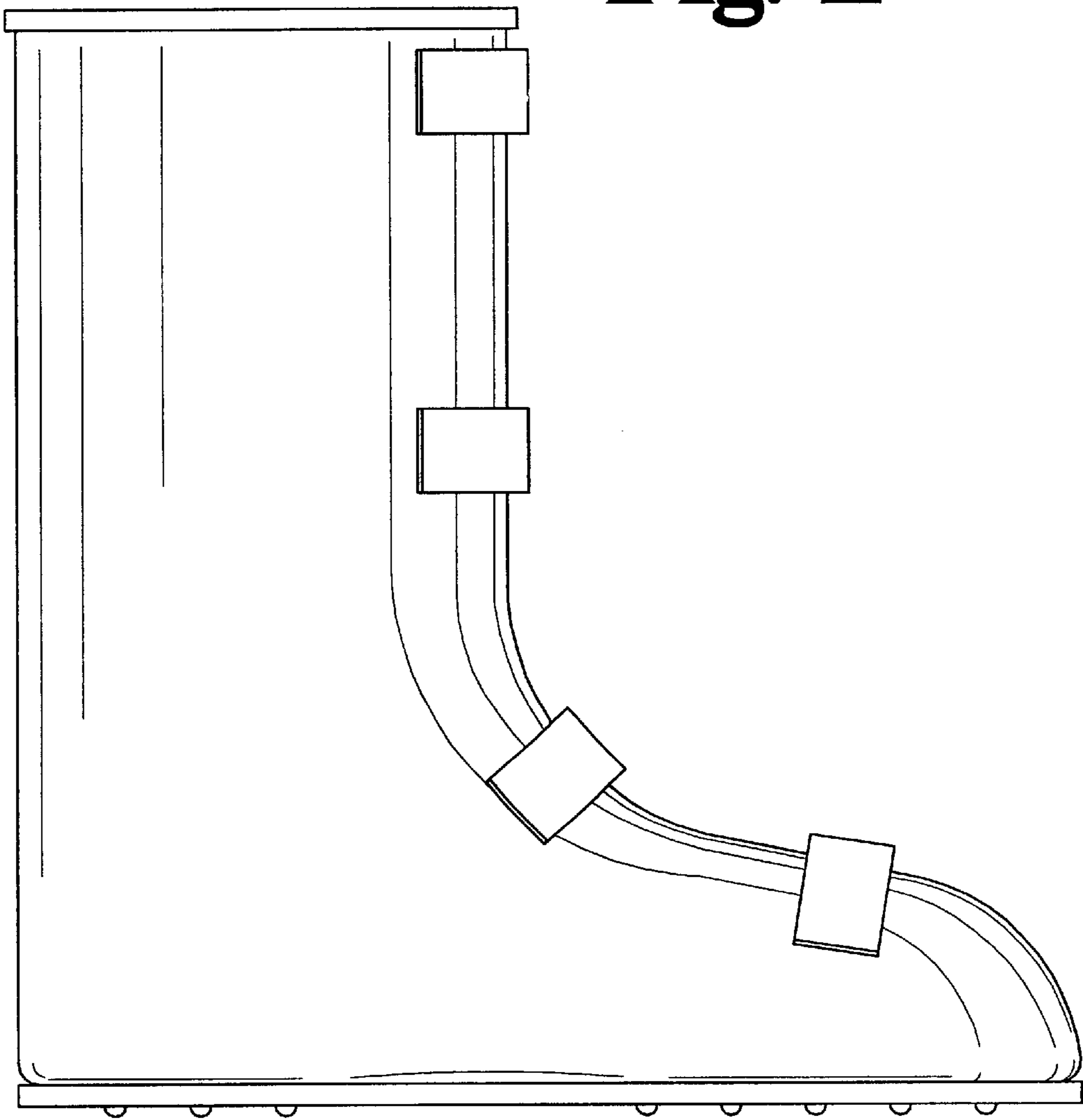
**1 Claim, 7 Drawing Sheets**

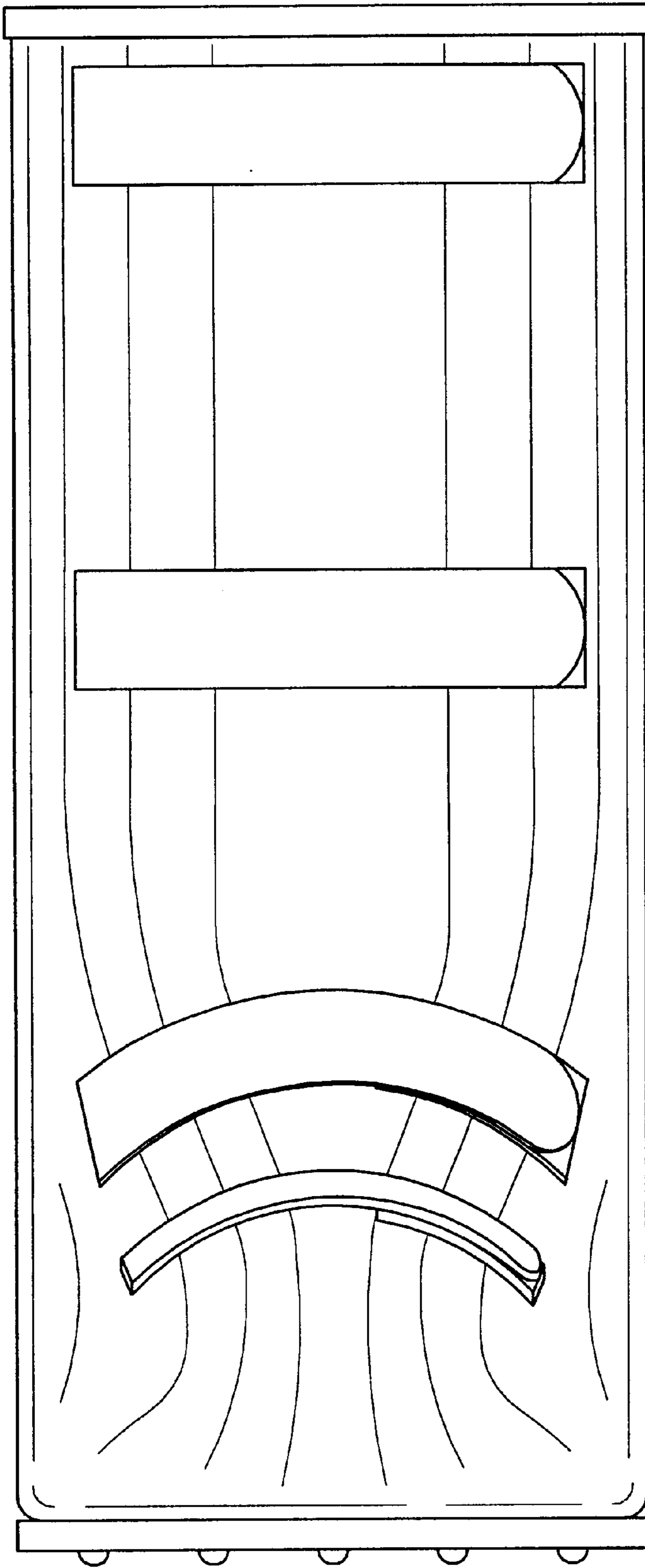




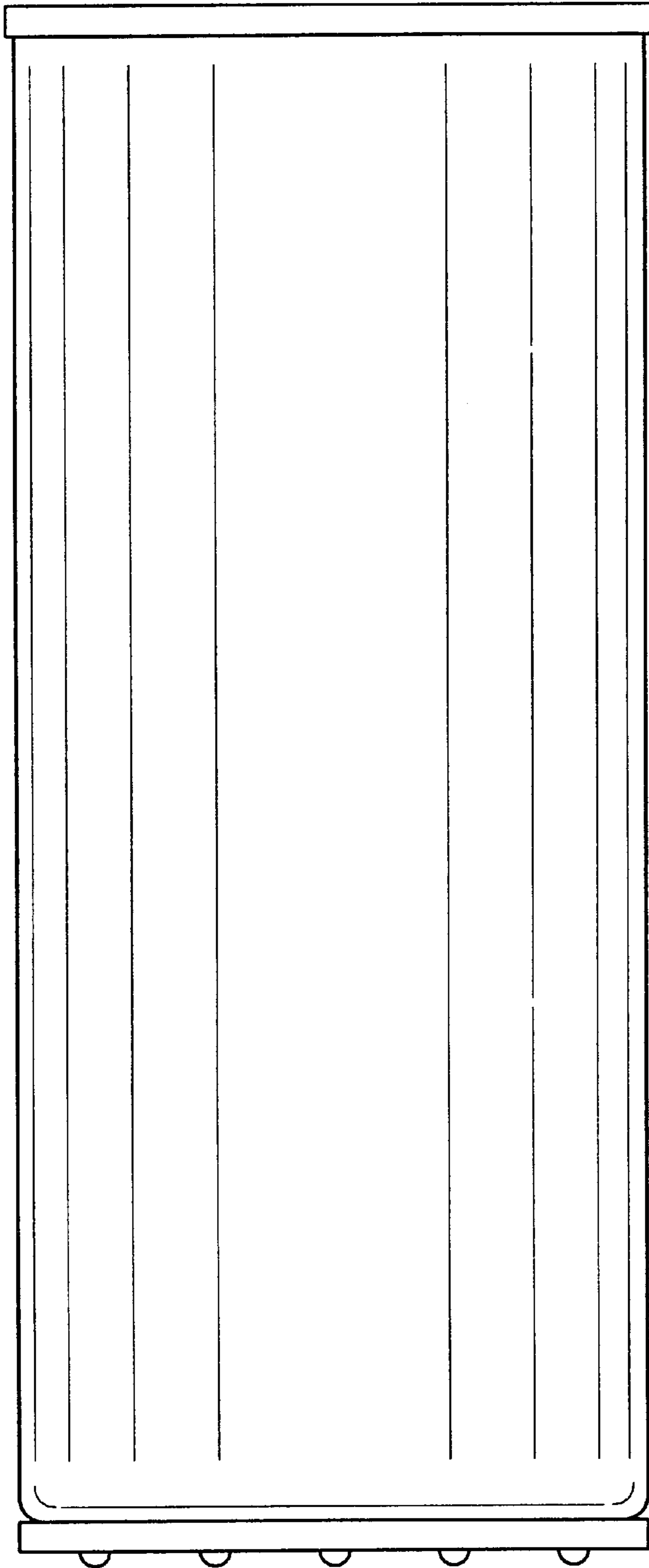
**Fig. 1**

**Fig. 2**



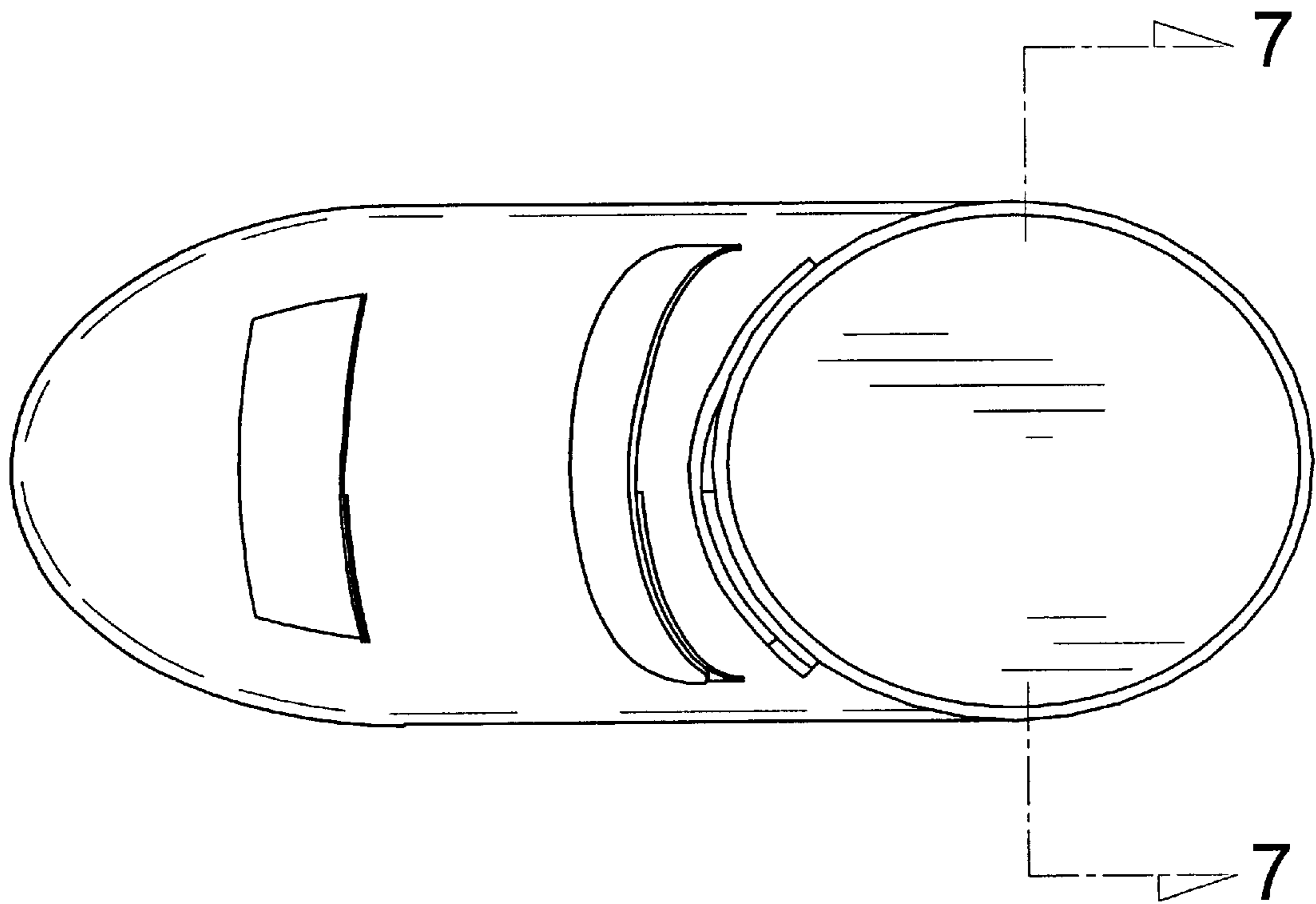


**Fig. 3**

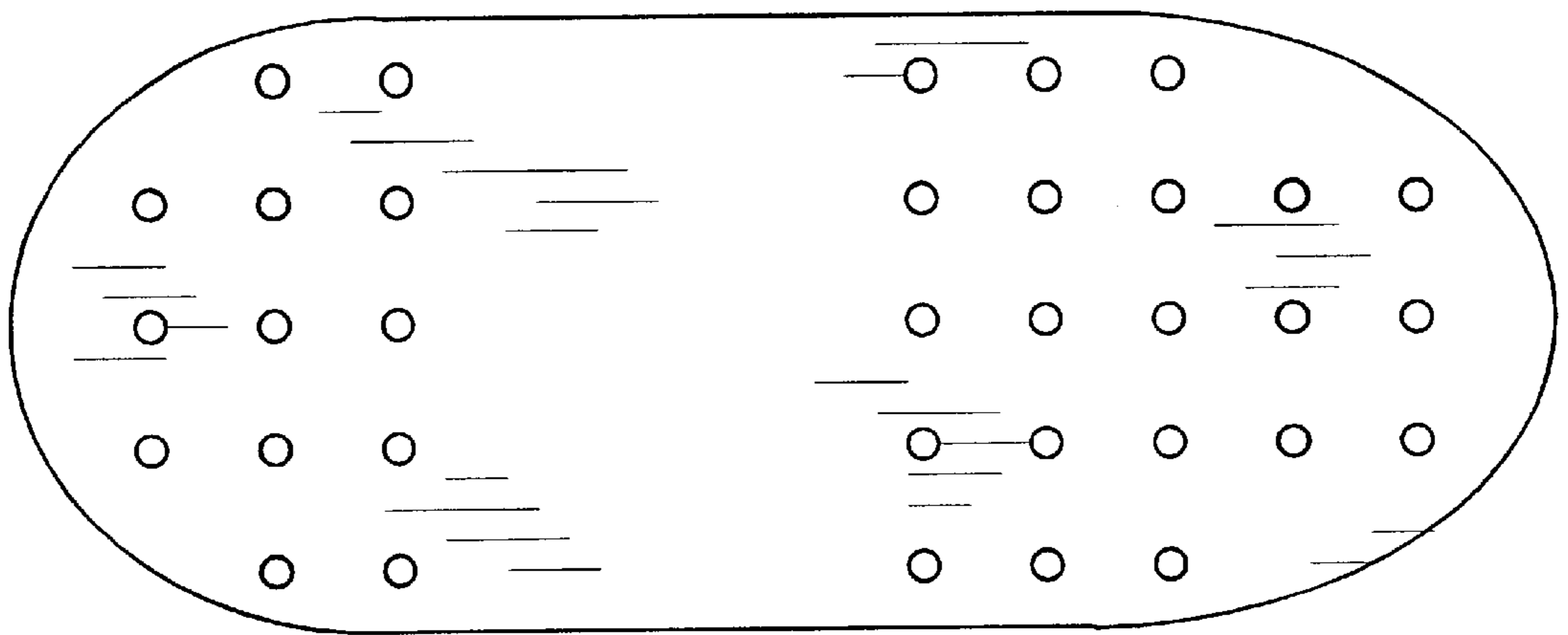


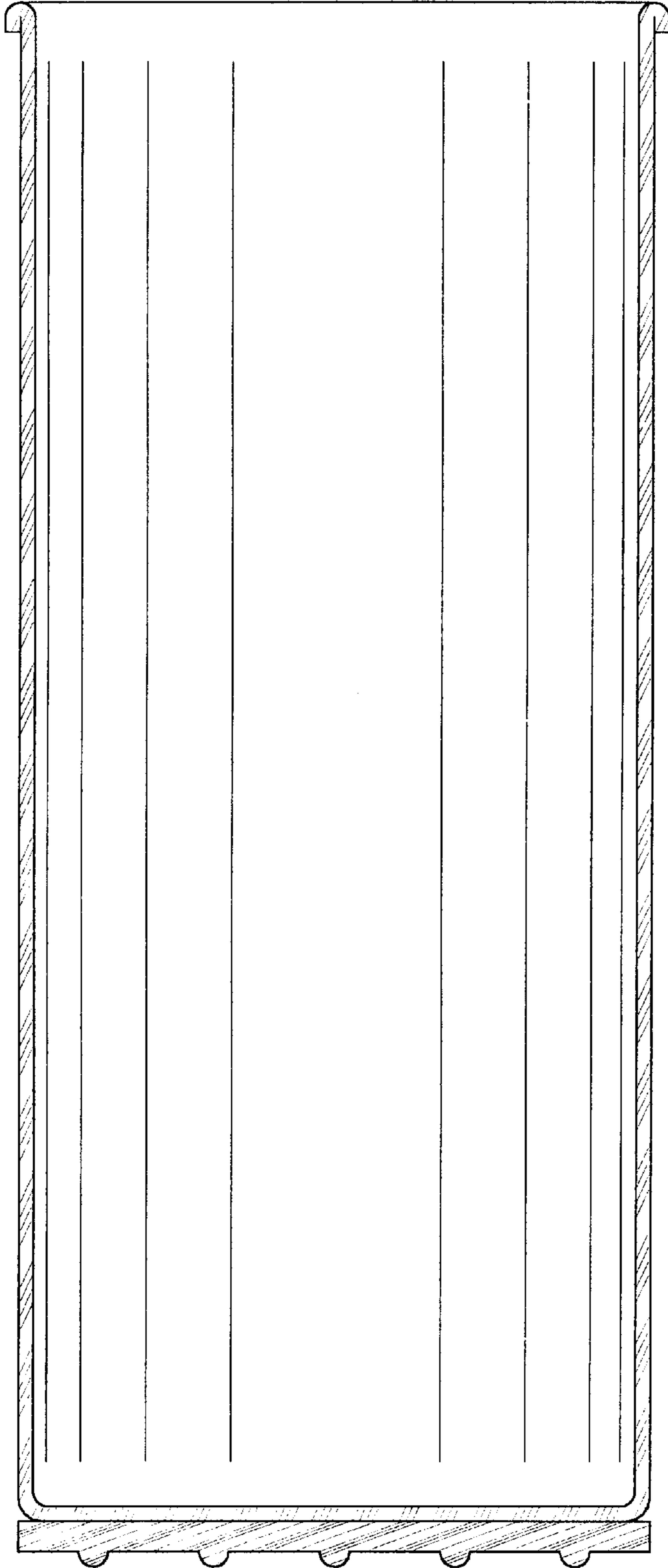
**Fig. 4**

**Fig. 5**



**Fig. 6**





**Fig. 7**