



US00D483539S

(12) **United States Design Patent**  
**Keogh**

(10) **Patent No.:** **US D483,539 S**

(45) **Date of Patent:** **\*\* Dec. 9, 2003**

(54) **TRASH RECEPTACLE HOLDER**

(76) Inventor: **Bill Keogh**, 1056 McKinley St., Anoka,  
MN (US) 55303

(\*\*) Term: **14 Years**

(21) Appl. No.: **29/170,909**

(22) Filed: **Nov. 13, 2002**

(51) **LOC (7) Cl.** ..... **09-09**

(52) **U.S. Cl.** ..... **D34/6; D34/10**

(58) **Field of Search** ..... D34/10, 11, 5,  
D34/6; 248/200, 205.1, 309.1, 310, 311.2,  
311.3, 957, 146, 150; 206/306, 208; D8/354,  
373; 211/153, 133.1, 187, 190

(56) **References Cited**

**U.S. PATENT DOCUMENTS**

1,837,411	A	*	12/1931	Cutter	.....	248/154
2,263,956	A	*	11/1941	Russell	.....	248/311.2
2,574,270	A	*	11/1951	Leonard	.....	248/146
3,240,459	A	*	3/1966	Spohn, Jr.	.....	248/146
3,892,315	A	*	7/1975	Johnson	.....	211/153
D283,189	S	*	4/1986	Hampton	.....	D6/574
D302,062	S	*	7/1989	Sable	.....	D34/5

4,927,104	A	*	5/1990	Miller	.....	248/97
5,386,958	A	*	2/1995	Amato	.....	248/146
D378,051	S	*	2/1997	Shinano	.....	D8/373
D394,933	S	*	6/1998	Studer	.....	D34/6
D447,306	S	*	8/2001	Dooley et al.	.....	D34/5
D450,899	S	*	11/2001	Caron	.....	D34/1
D452,944	S	*	1/2002	Schmidt	.....	D34/6
D472,356	S	*	3/2003	Shilling et al.	.....	D34/6
D473,029	S	*	4/2003	Shilling et al.	.....	D34/6

\* cited by examiner

*Primary Examiner*—Cynthia E. Ramirez

(74) *Attorney, Agent, or Firm*—Michael A. Kondzella

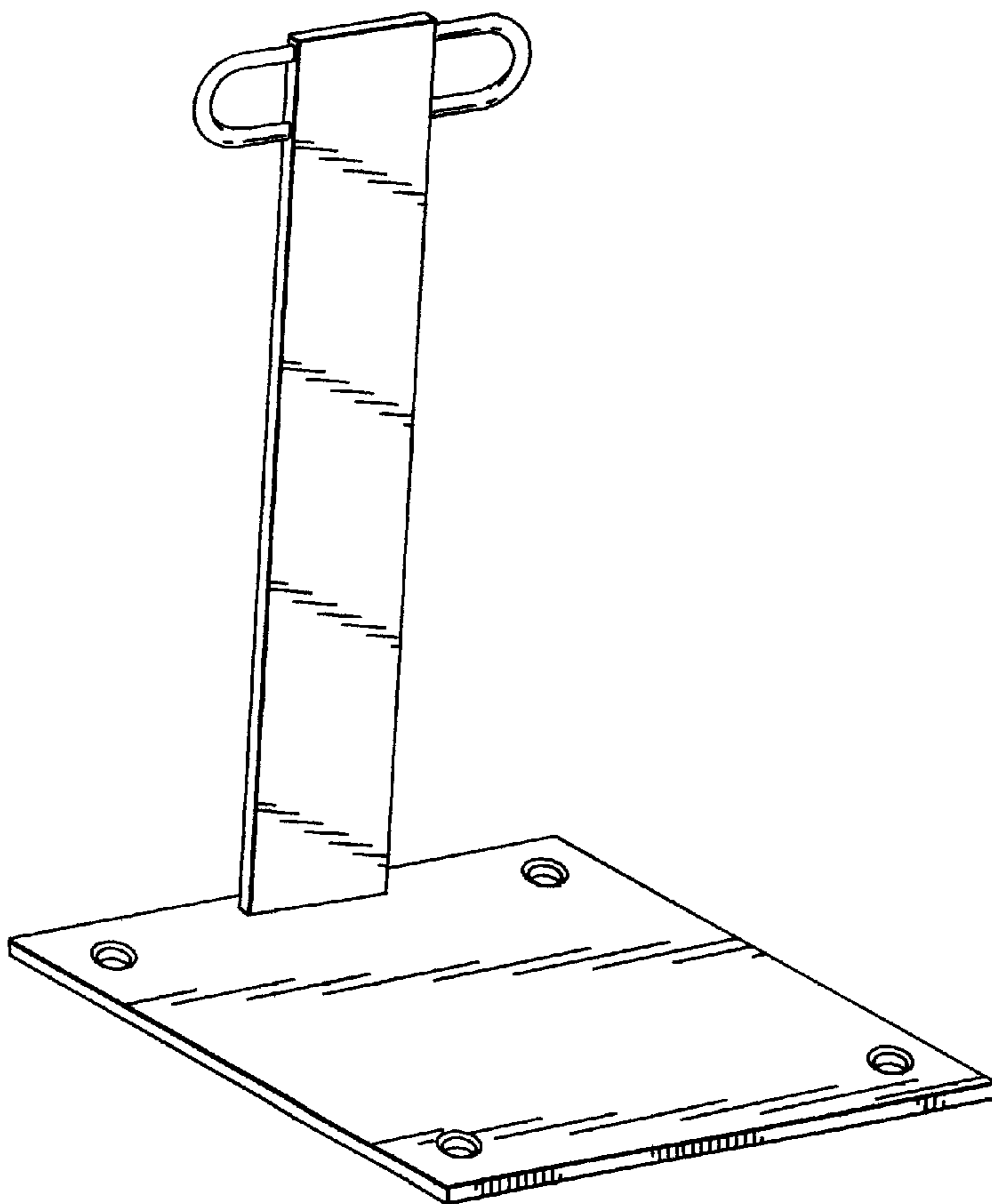
(57) **CLAIM**

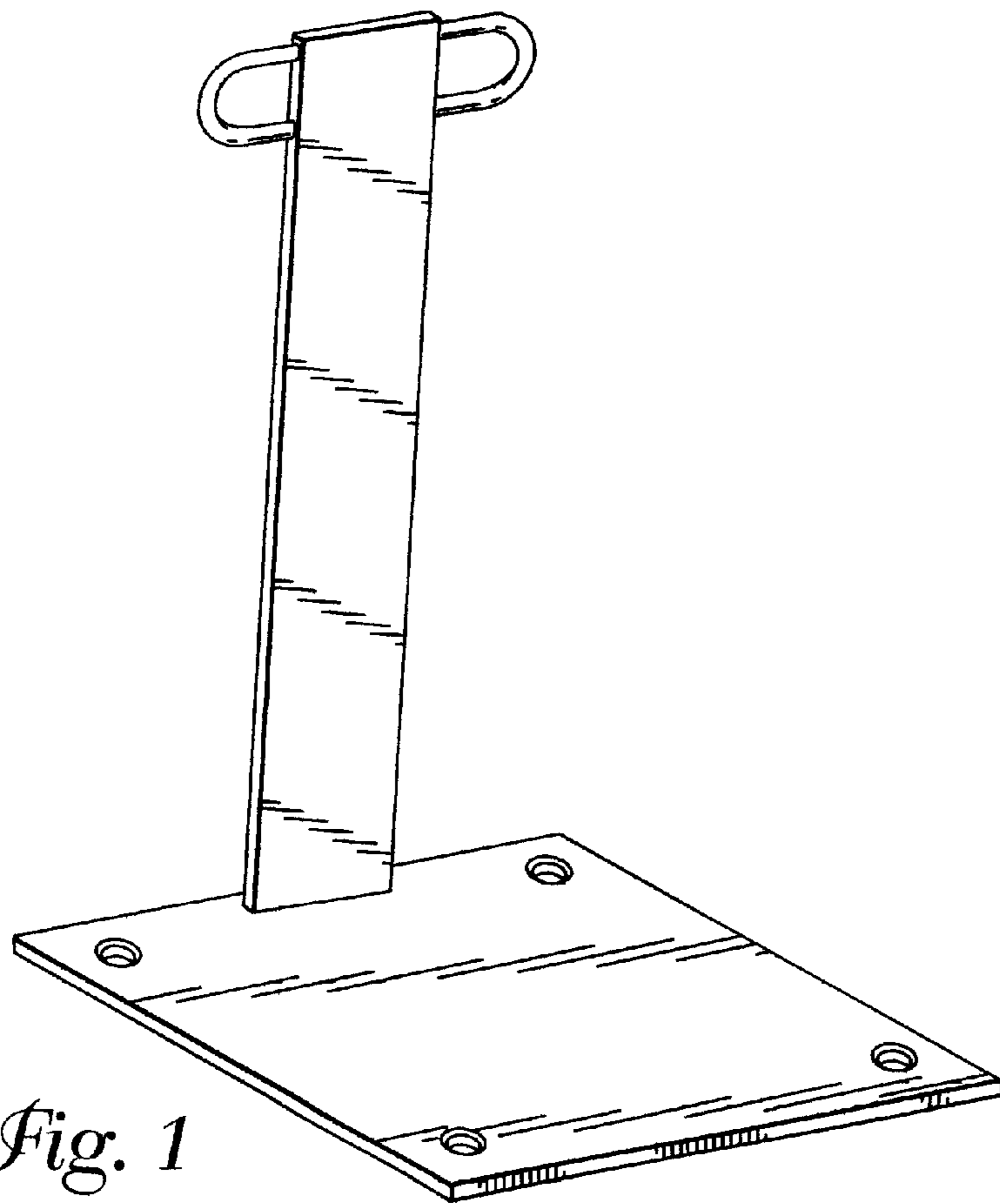
The ornamental design for a trash receptacle holder, as shown and described.

**DESCRIPTION**

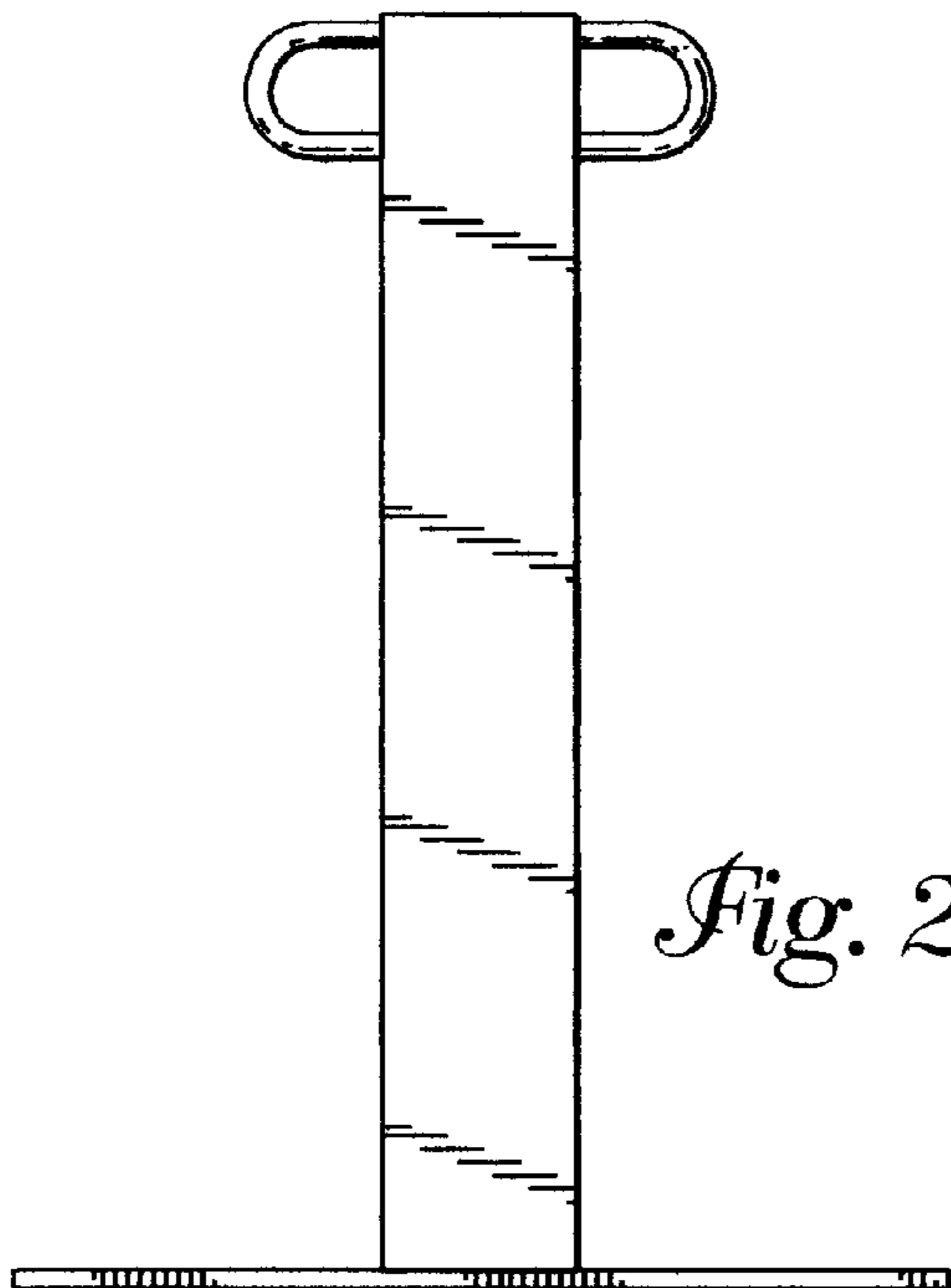
FIG. 1 is a perspective view of a trash receptacle holder showing my new design;  
FIG. 2 is a front view thereof;  
FIG. 3 is a plan view thereof;  
FIG. 4 is a bottom plan view thereof; and,  
FIG. 5 is a right side view thereof.

**1 Claim, 2 Drawing Sheets**

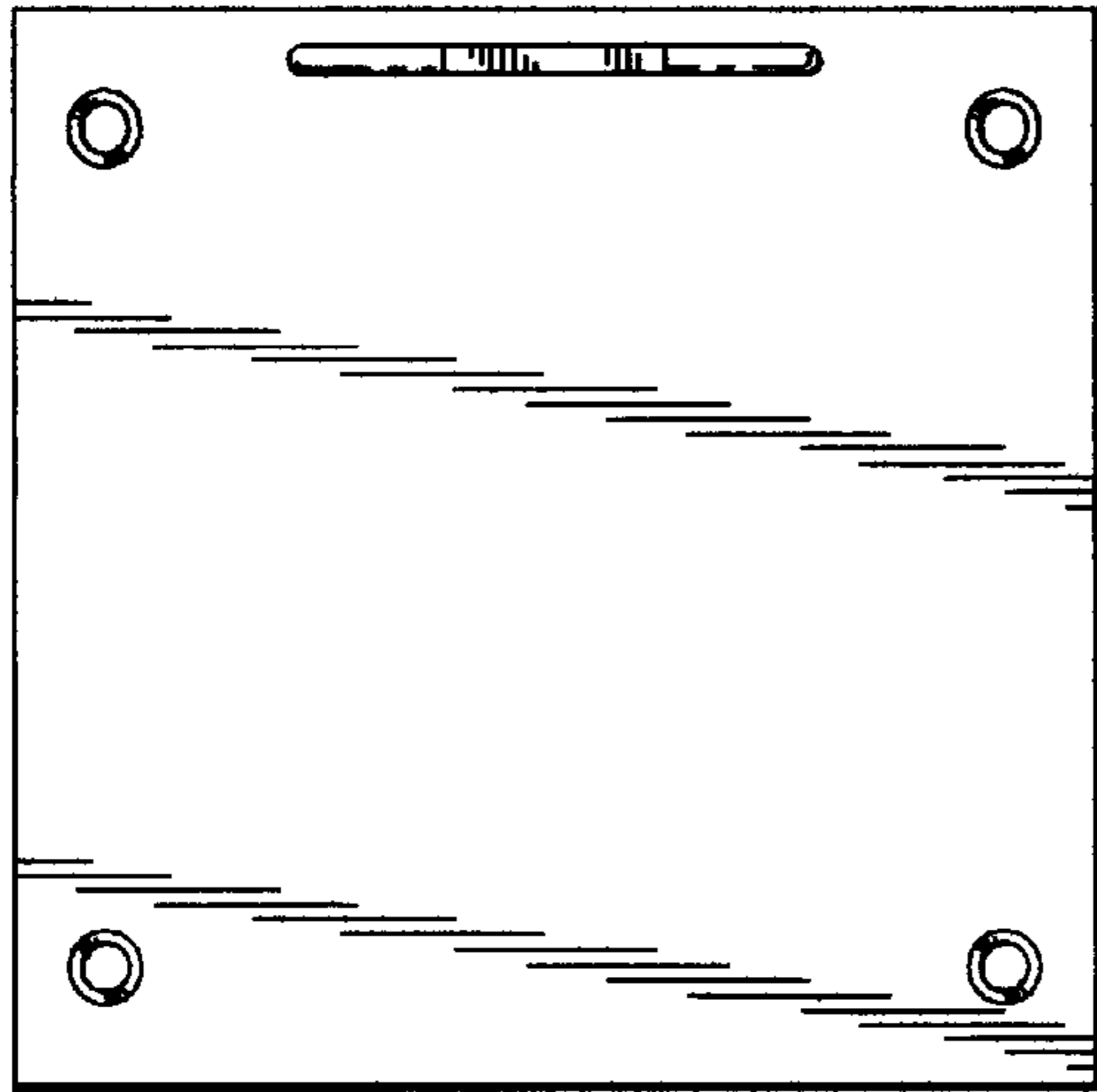




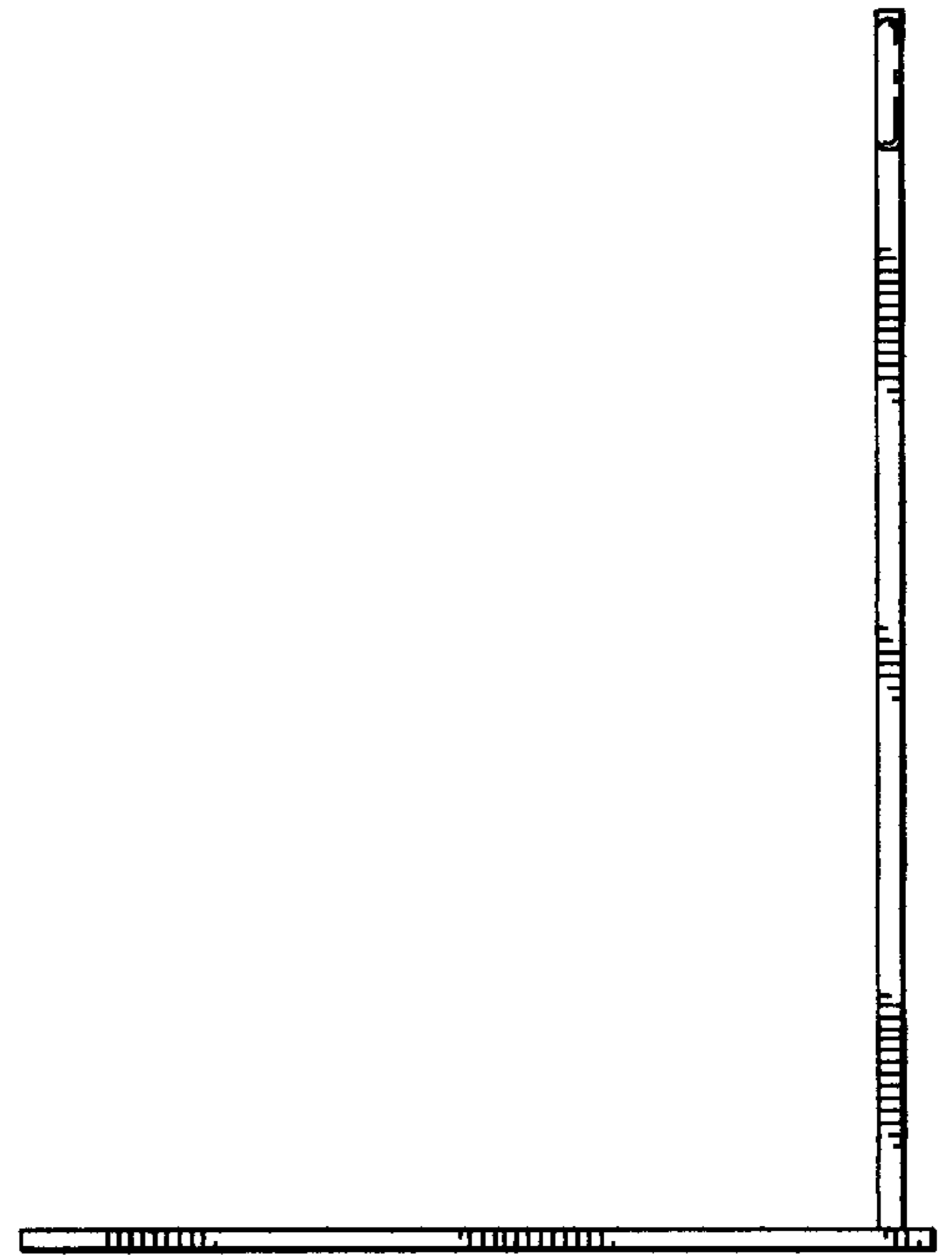
*Fig. 1*



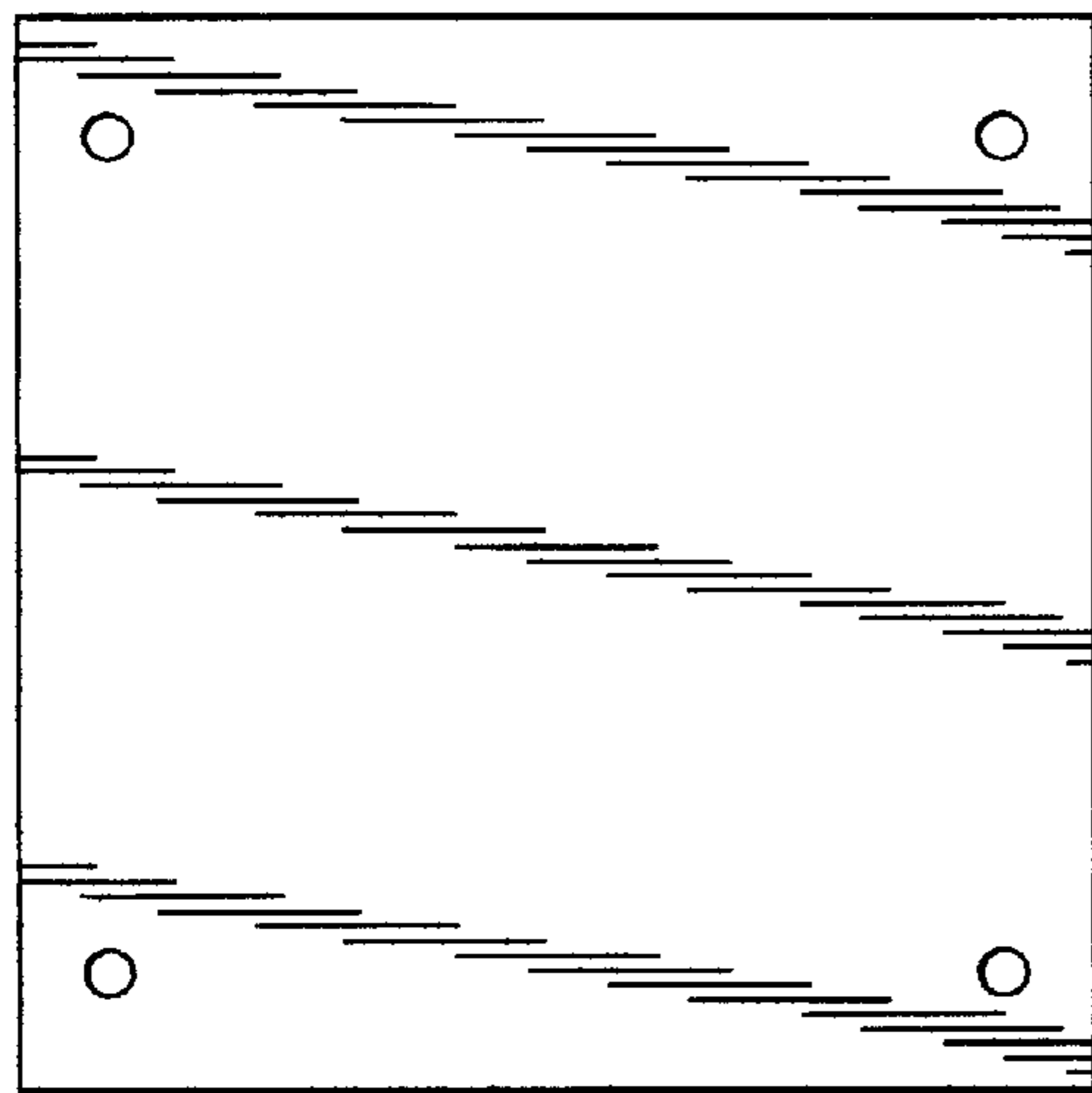
*Fig. 2*



*Fig. 3*



*Fig. 5*



*Fig. 4*