



US00D483538S

(12) **United States Design Patent**
Skalka

(10) **Patent No.:** **US D483,538 S**

(45) **Date of Patent:** **** *Dec. 9, 2003**

(54) **TRASH CAN RECEPTACLE**

(75) Inventor: **Gerald P. Skalka**, Potomac, MD (US)

(73) Assignee: **Victor Stanley Inc.**, Dunkirk, MD (US)

(*) Notice: This patent is subject to a terminal disclaimer.

(**) Term: **14 Years**

(21) Appl. No.: **29/146,107**

(22) Filed: **Aug. 6, 2001**

Related U.S. Application Data

(63) Continuation-in-part of application No. 29/118,677, filed on Feb. 11, 2000, now Pat. No. Des. 452,760, which is a division of application No. 29/099,029, filed on Jan. 12, 1999, now Pat. No. Des. 441,932, and a continuation-in-part of application No. 29/121,054, filed on Mar. 31, 2000, now Pat. No. Des. 454,238.

(51) **LOC (7) Cl.** **09-09**

(52) **U.S. Cl.** **D34/1**

(58) **Field of Search** D34/1, 5, 6, 7,
D34/11; 220/908, 909, 910, 911, 913

(56) **References Cited**

U.S. PATENT DOCUMENTS

711,410 A	10/1902	Means	
1,512,976 A	10/1924	Burkhardt	
D195,906 S	8/1963	Hickerson	
5,624,050 A	4/1997	Haas	
D397,361 S	8/1998	Goodman et al.	
D424,769 S	5/2000	Hornyak	
D441,932 S	* 5/2001	Skalka D34/1
D445,982 S	* 7/2001	Skalka D34/5
D450,166 S	* 11/2001	Skalka D34/1
D452,760 S	* 1/2002	Skalka D34/1
D454,238 S	* 3/2002	Skalka D34/1
D458,431 S	* 6/2002	Skalka D34/7

* cited by examiner

Primary Examiner—Cynthia E. Ramirez

(74) *Attorney, Agent, or Firm*—Jacobson Holman PLLC

(57) **CLAIM**

An ornamental design for a trash can receptacle, as shown and described.

DESCRIPTION

FIG. 1 is a perspective view of a trash can receptacle showing a first embodiment of my new design, shown with the door in an open position.

FIG. 2 is a perspective view of the trash can receptacle of FIG. 1, shown with the door in a closed position.

FIG. 3 is a left side elevational view of the trash can receptacle of FIG. 1, shown with the door in a closed position.

FIG. 4 is a front elevational view of the trash can receptacle of FIG. 1, shown with the door in a closed position.

FIG. 5 is a rear elevational view of the trash can receptacle of FIG. 1, shown with the door in a closed position.

FIG. 6 is a top plan view of the trash can receptacle of FIG. 1, shown with the door in a closed position.

FIG. 7 is a bottom plan view of the trash can receptacle of FIG. 1, shown with the door in a closed position.

FIG. 8 is a perspective view of a trash can receptacle showing a second embodiment of my new design, shown with the door in an open position.

FIG. 9 is a perspective view of the trash can receptacle of FIG. 8, shown with the door in a closed position.

FIG. 10 is a left side elevational view of the trash can receptacle of FIG. 8, shown with the door in a closed position.

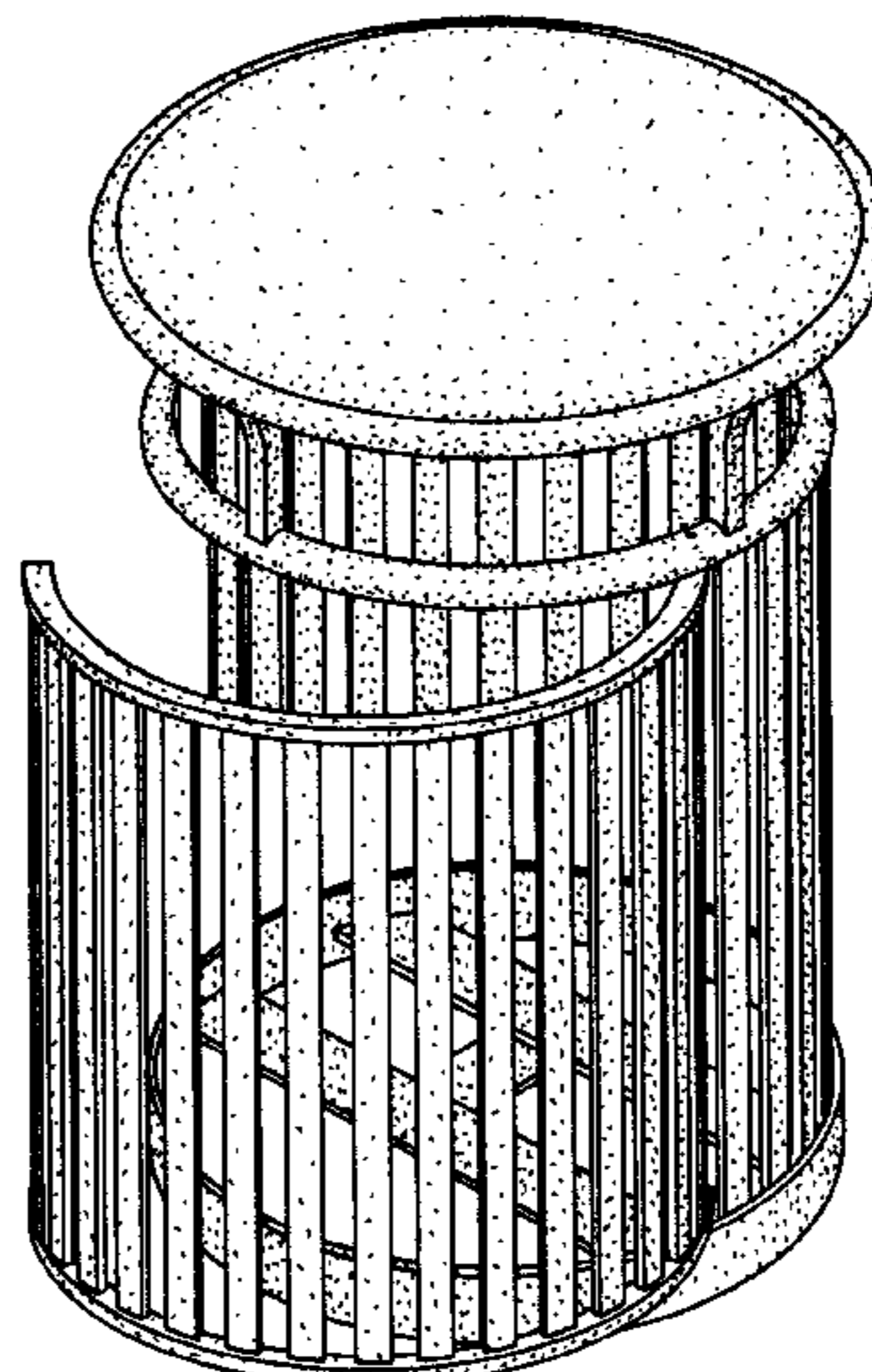
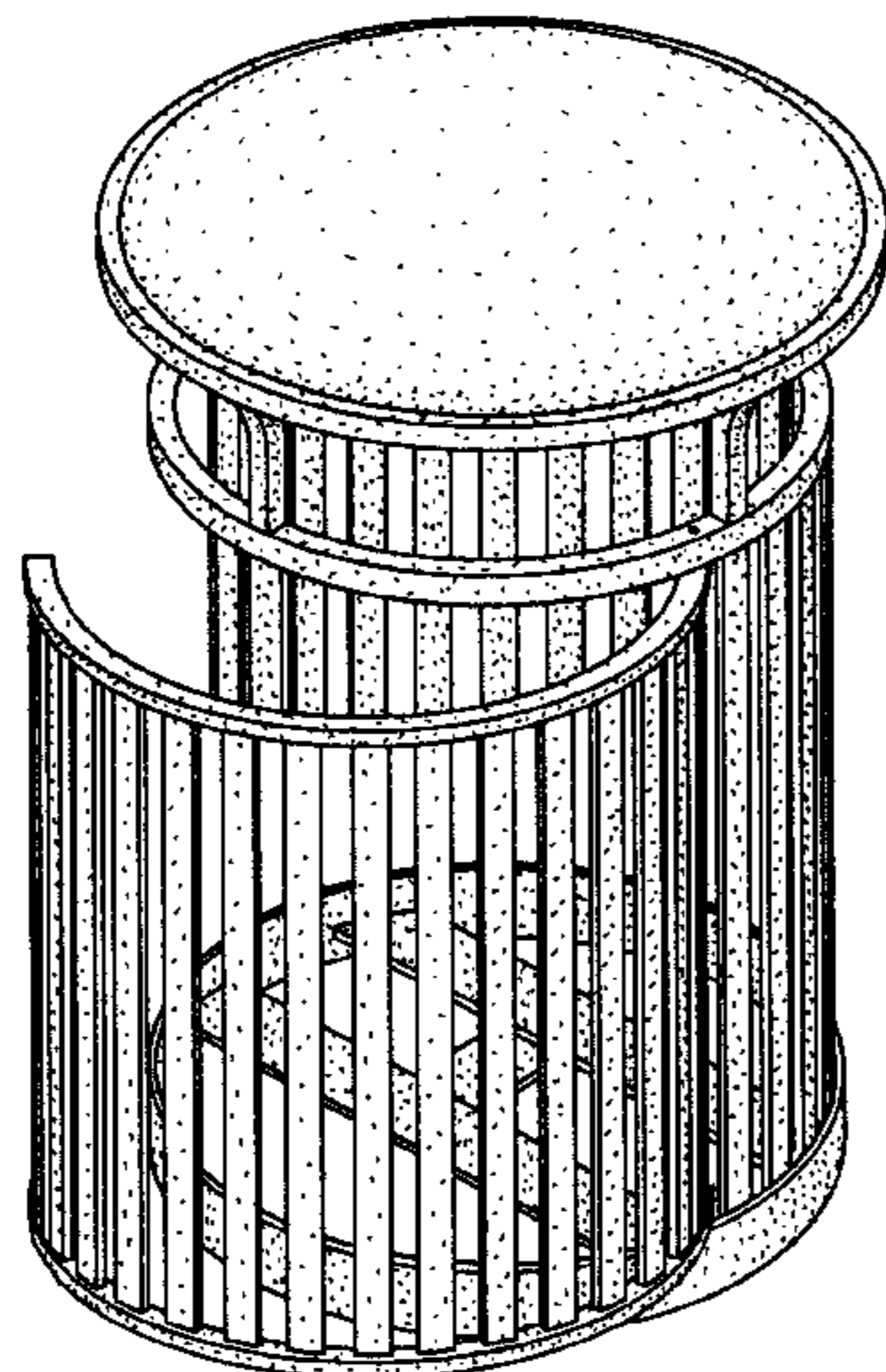
FIG. 11 is a front elevational view of the trash can receptacle of FIG. 8, shown with the door in a closed position.

FIG. 12 is a rear elevational view of the trash can receptacle of FIG. 8, shown with the door in a closed position.

FIG. 13 is a top plan view of the trash can receptacle of FIG. 8, shown with the door in a closed position; and,

FIG. 14 is a bottom plan view of the trash can receptacle of FIG. 8, shown with the door in a closed position.

1 Claim, 6 Drawing Sheets



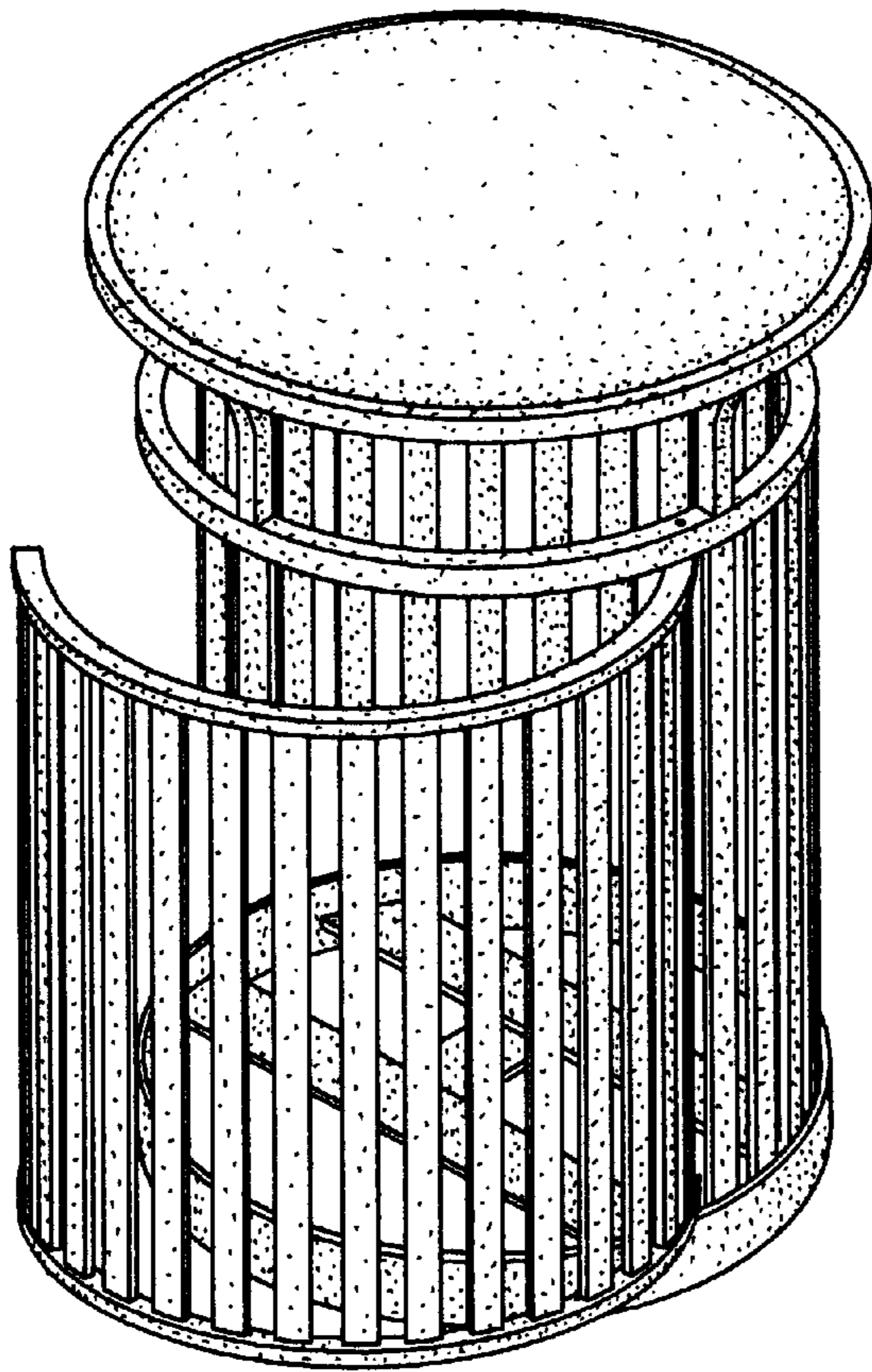


FIG. 1

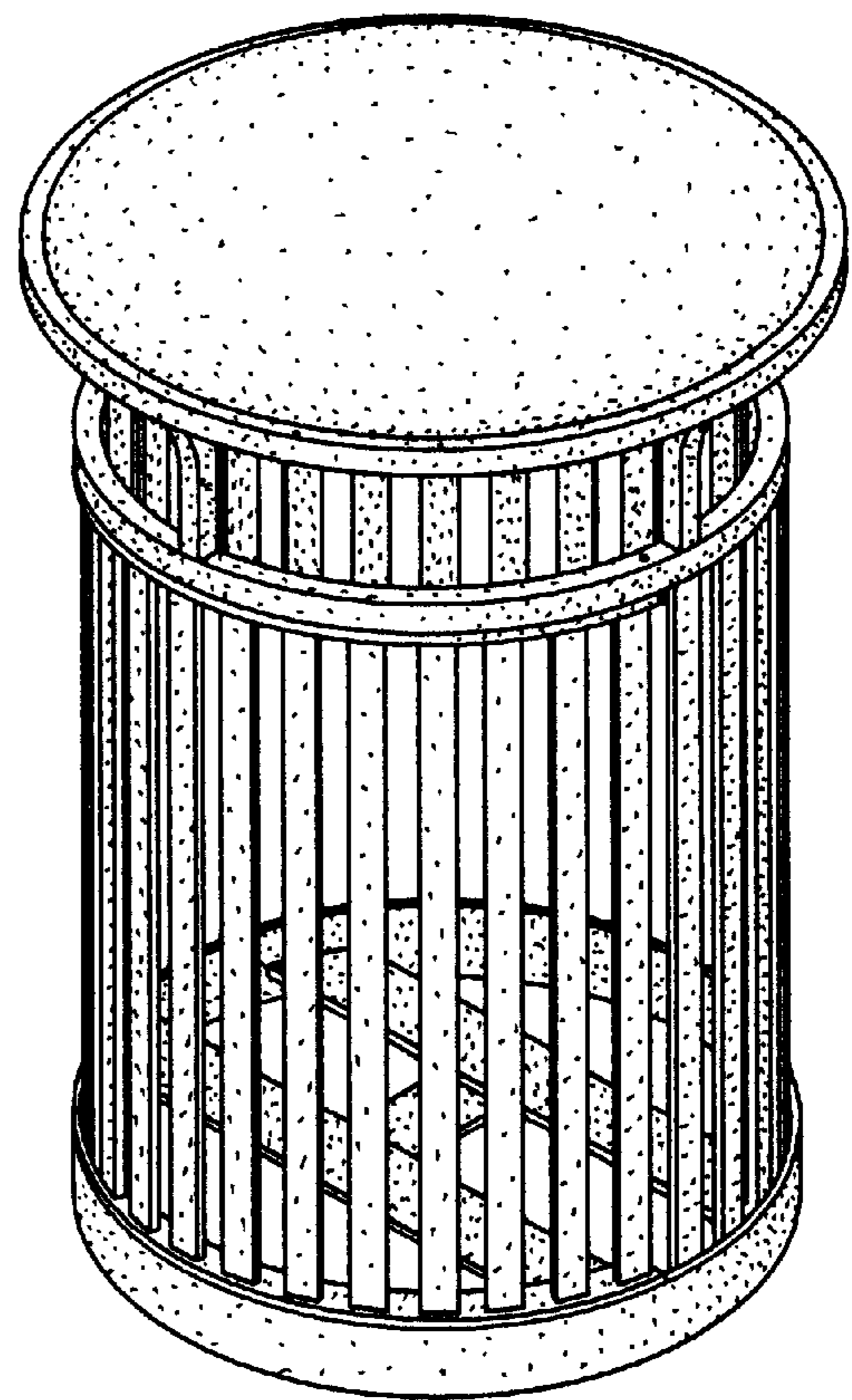


FIG. 2

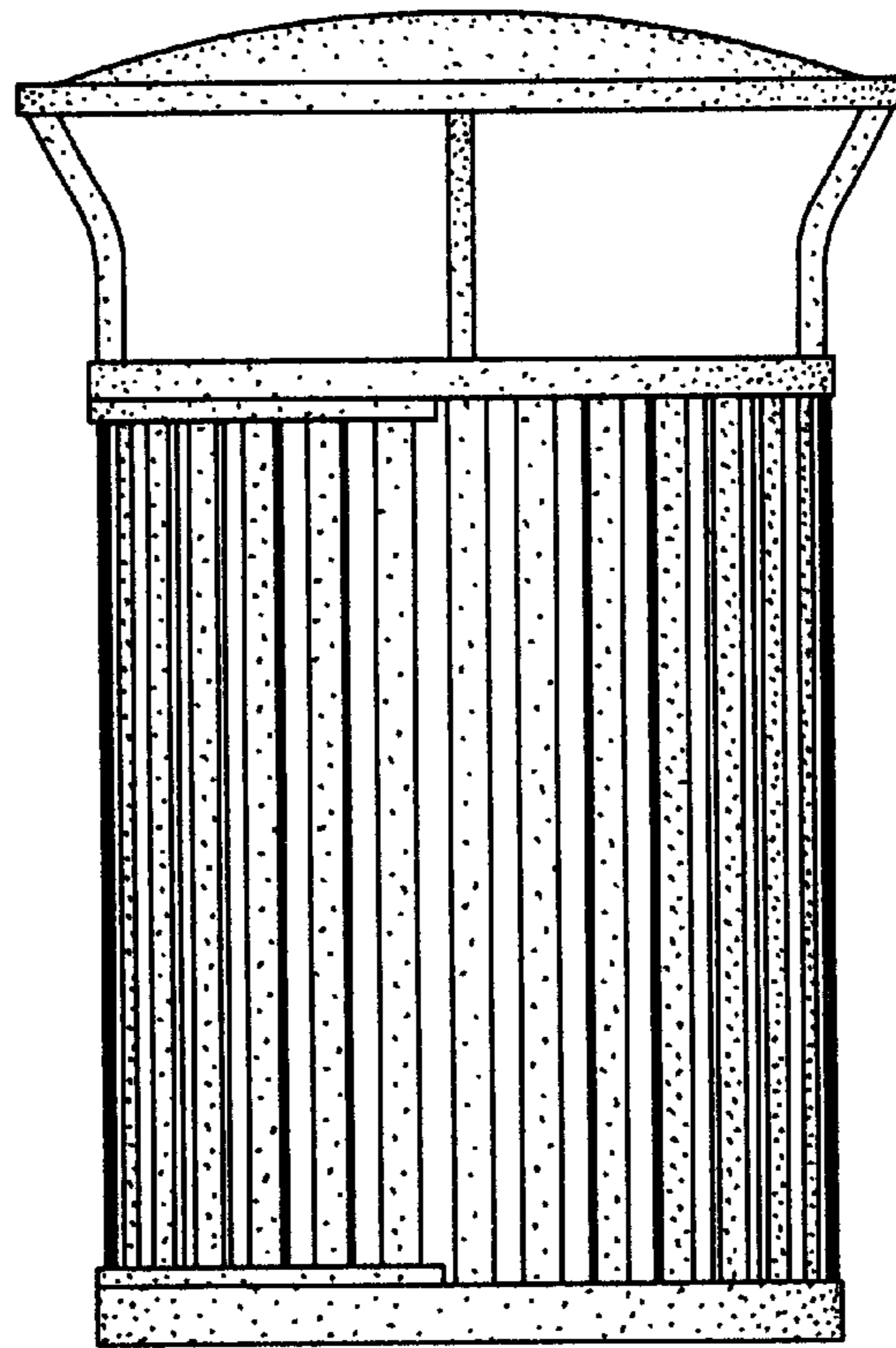


FIG. 3

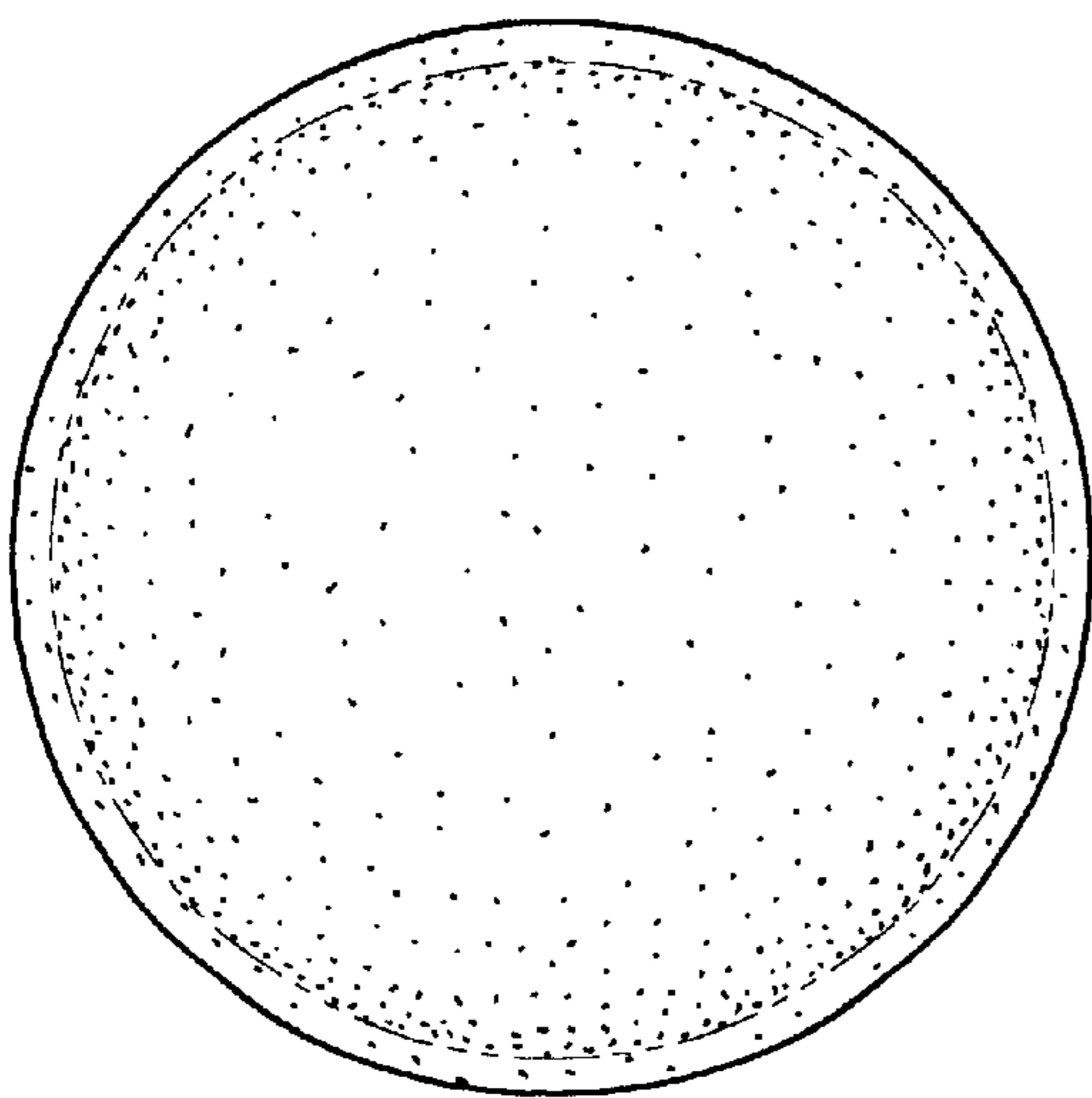


FIG. 6

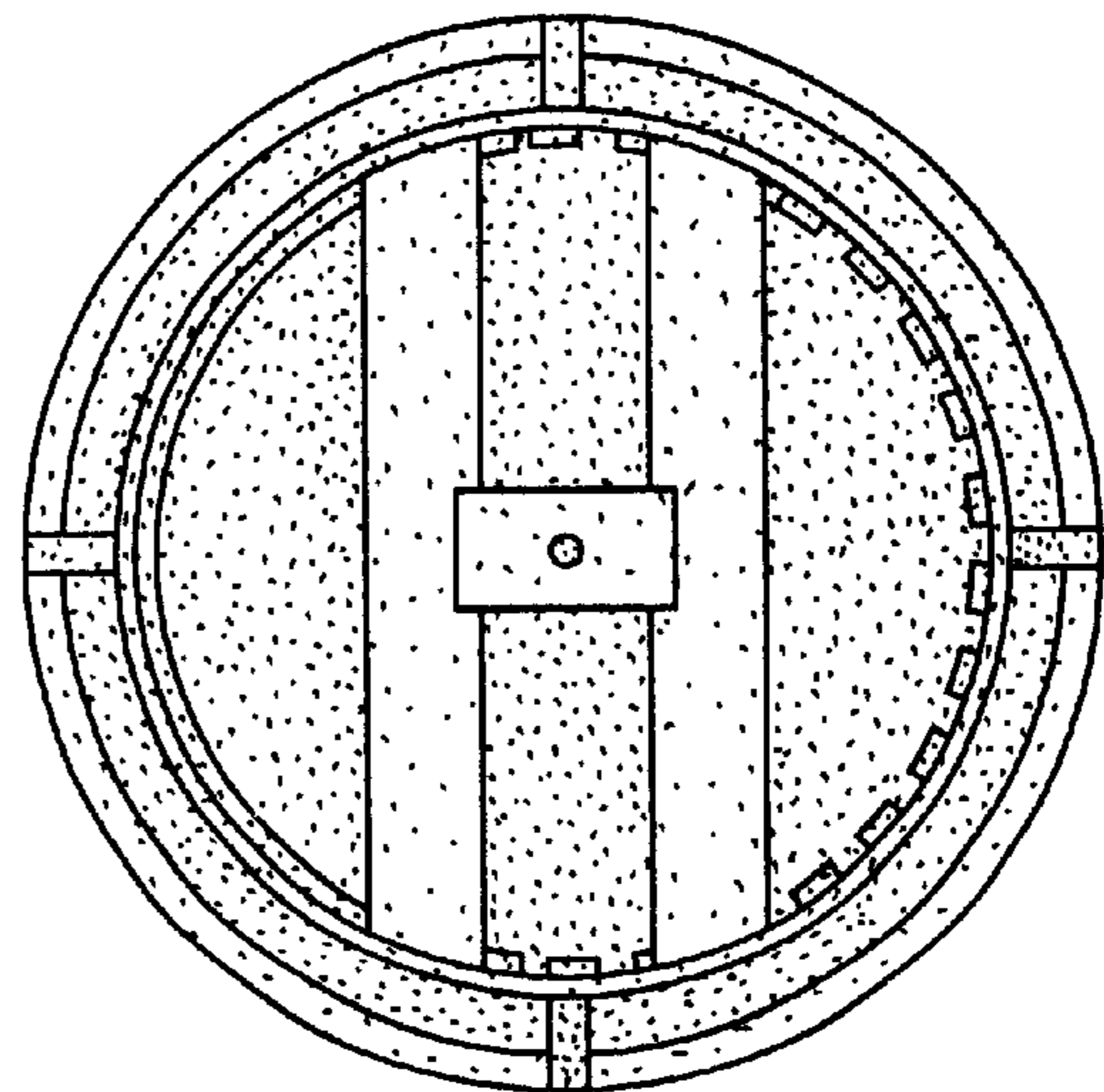


FIG. 7

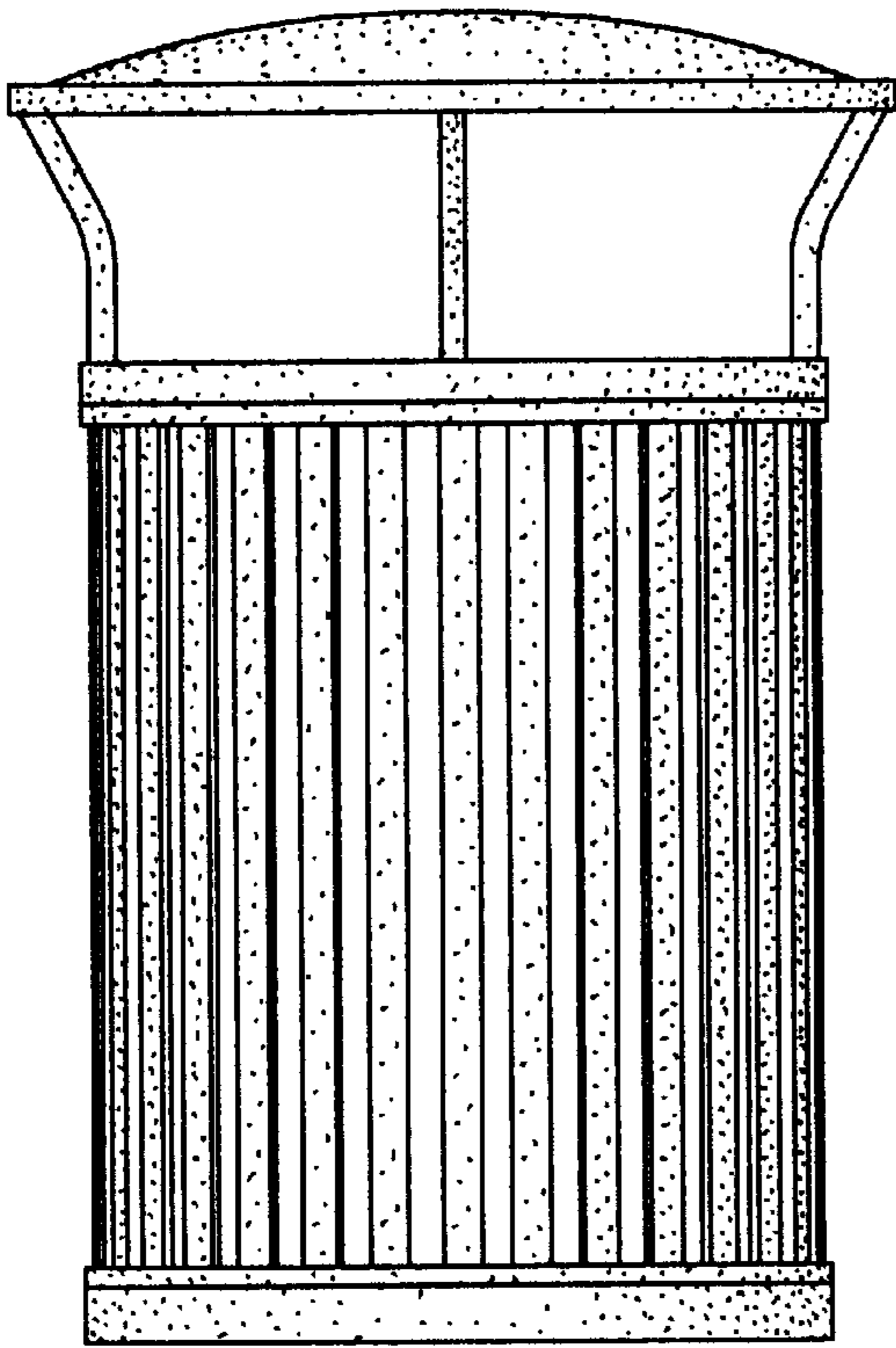


FIG. 4

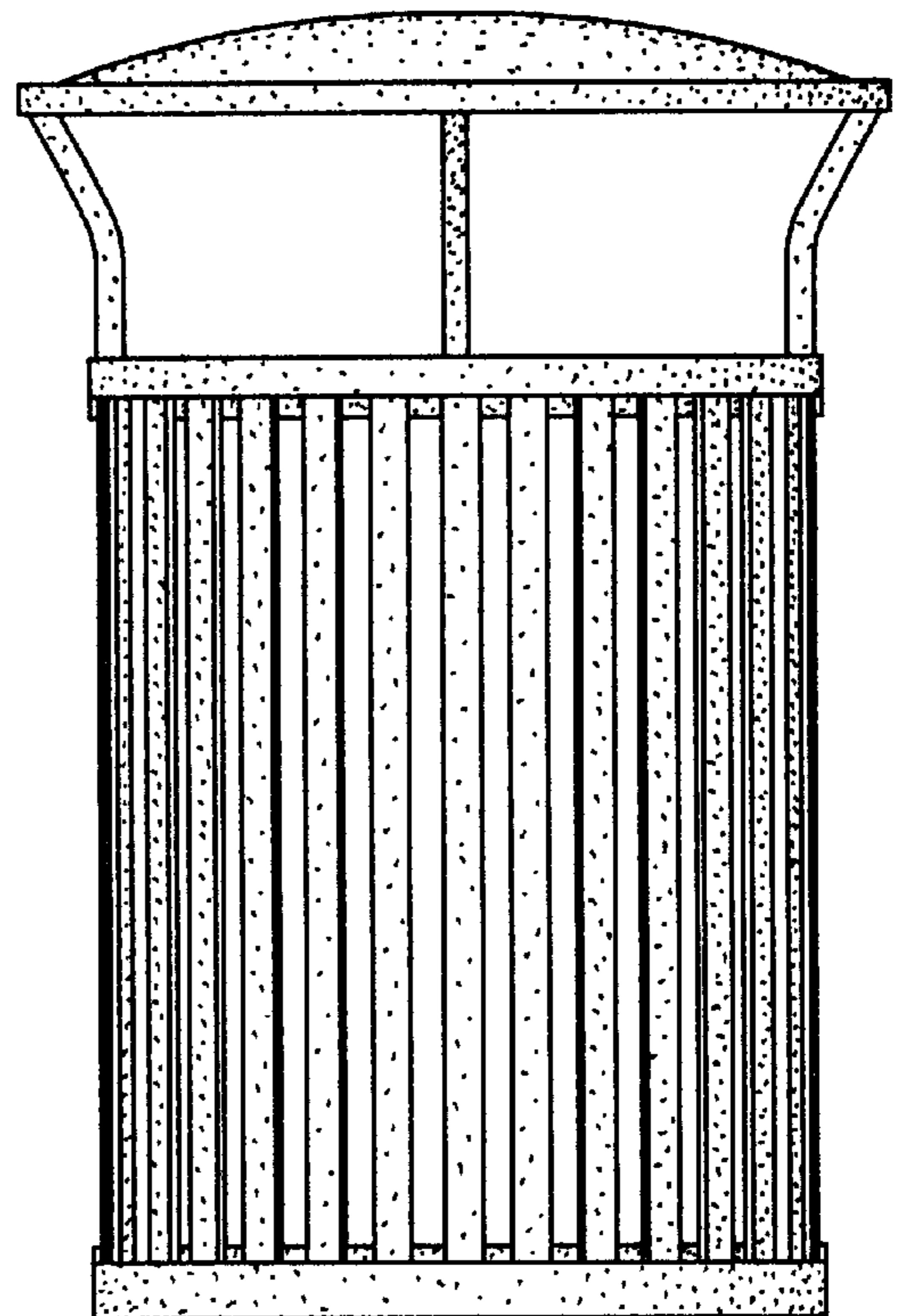


FIG. 5

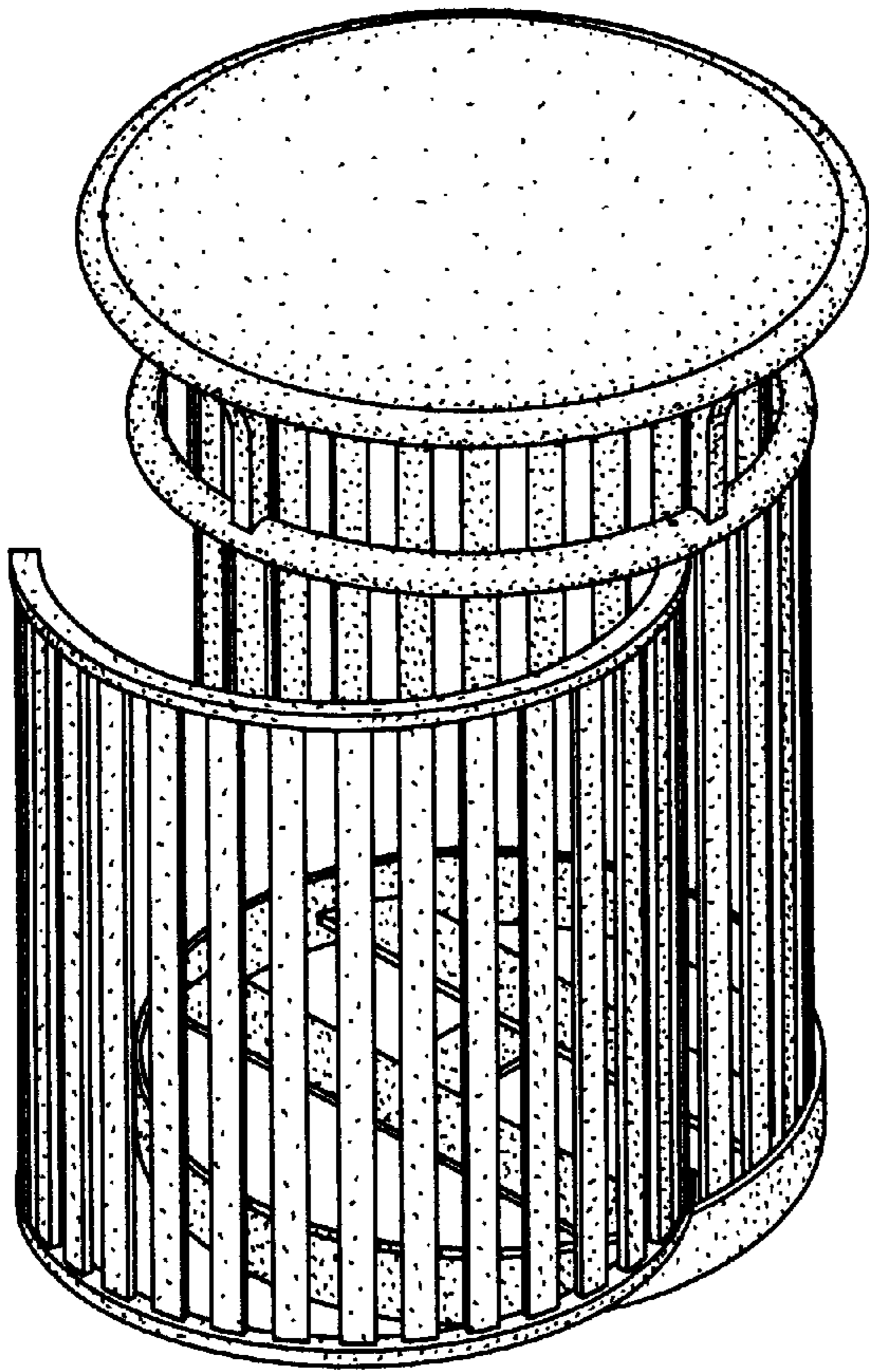


FIG. 8

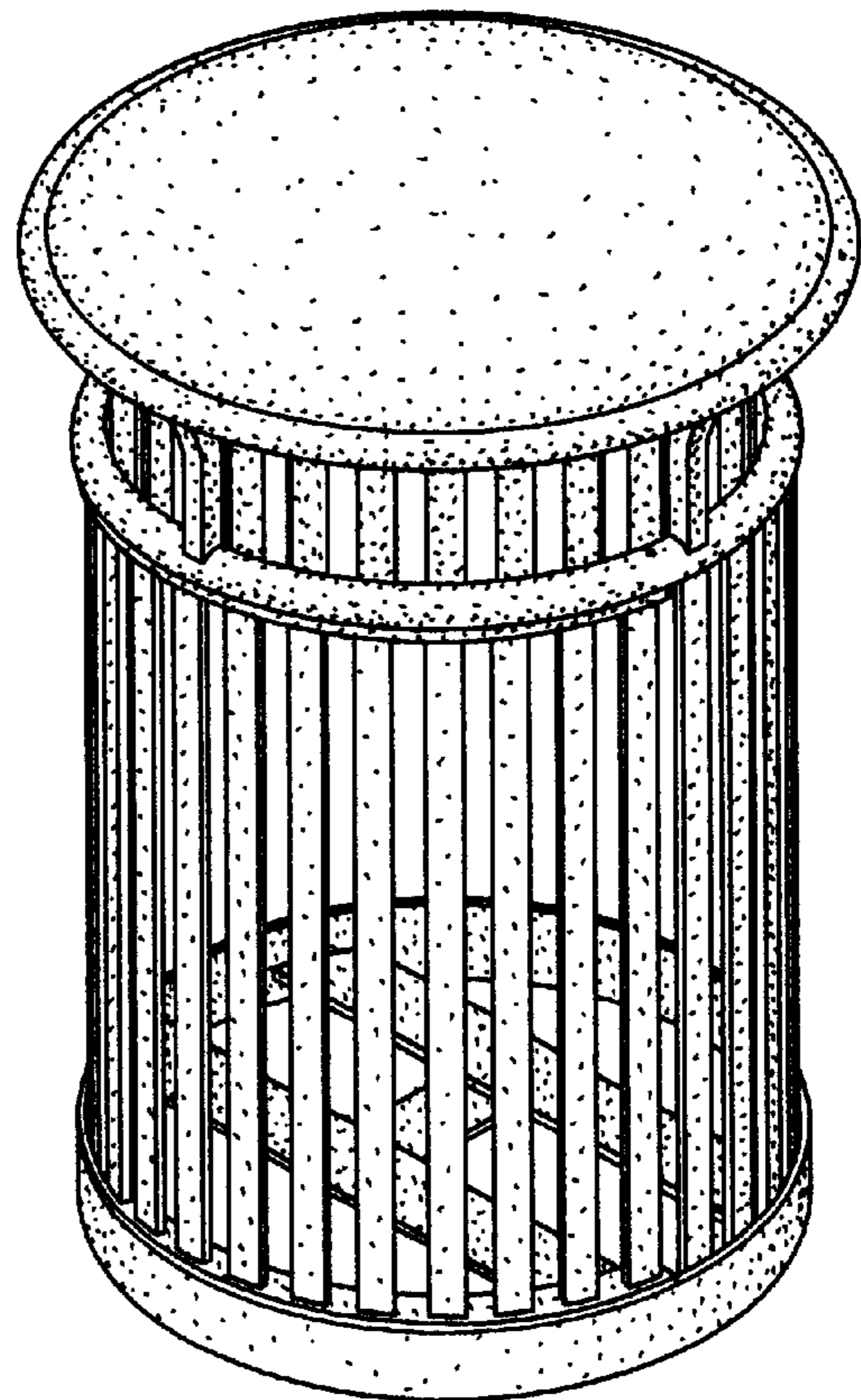


FIG. 9

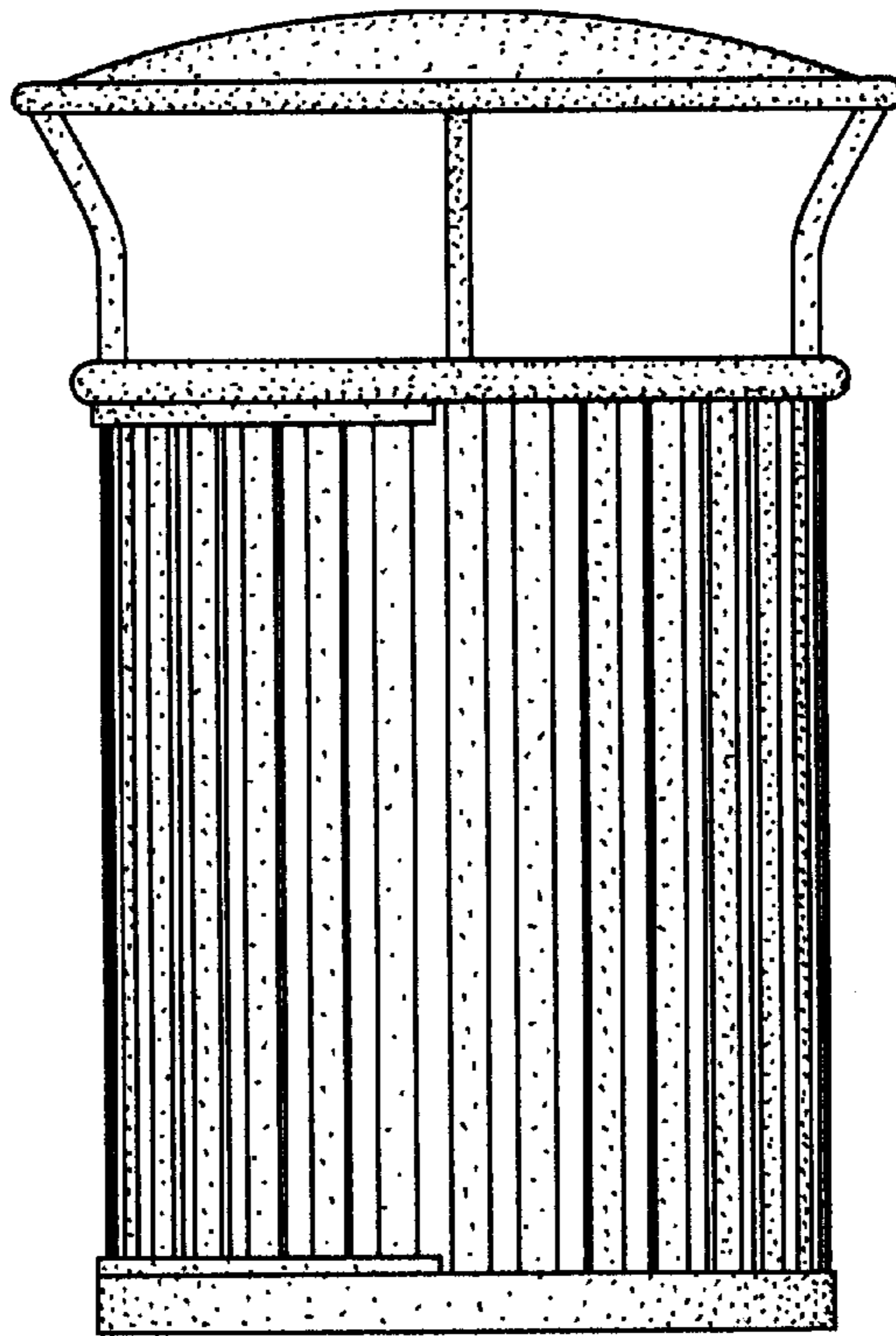


FIG. 10

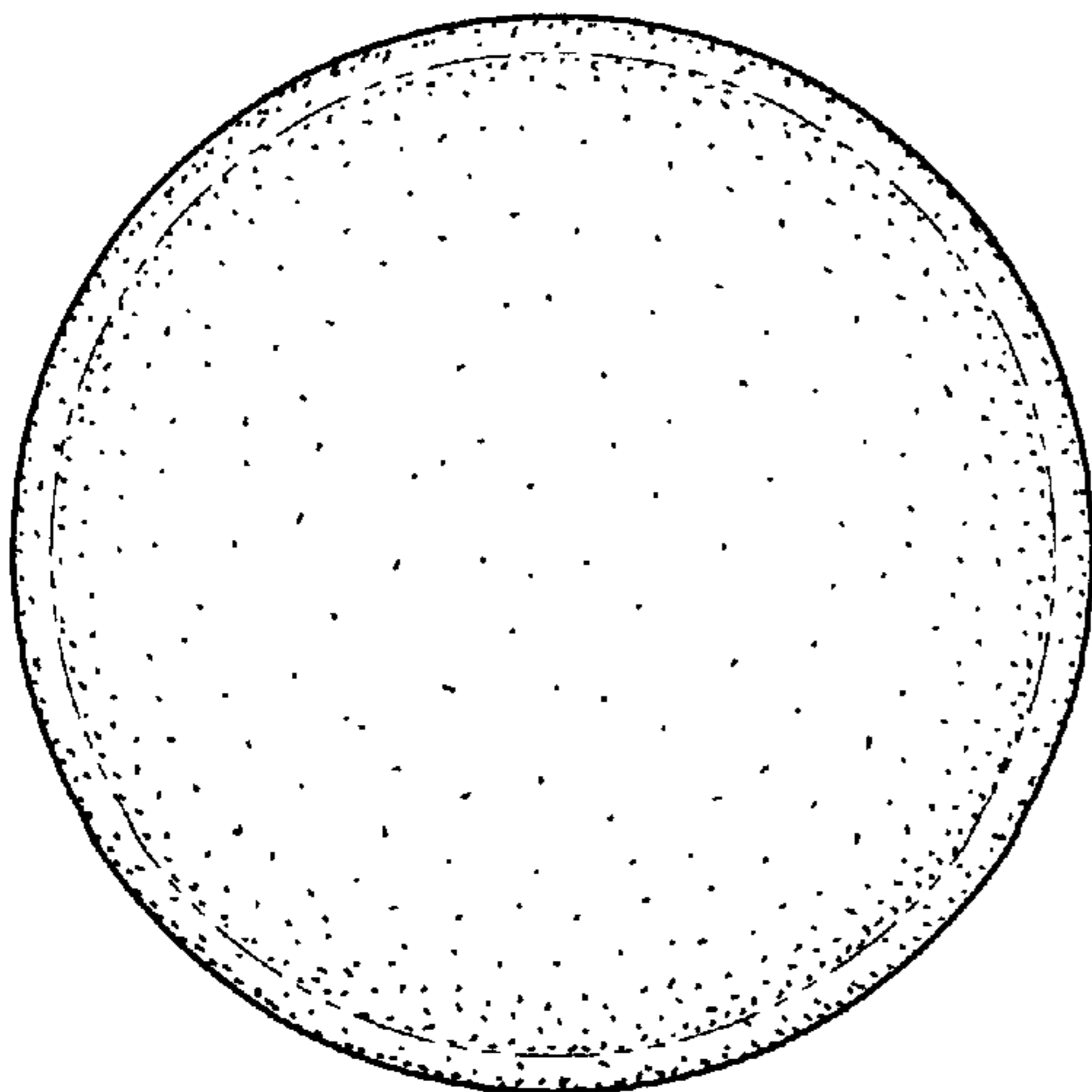


FIG. 13

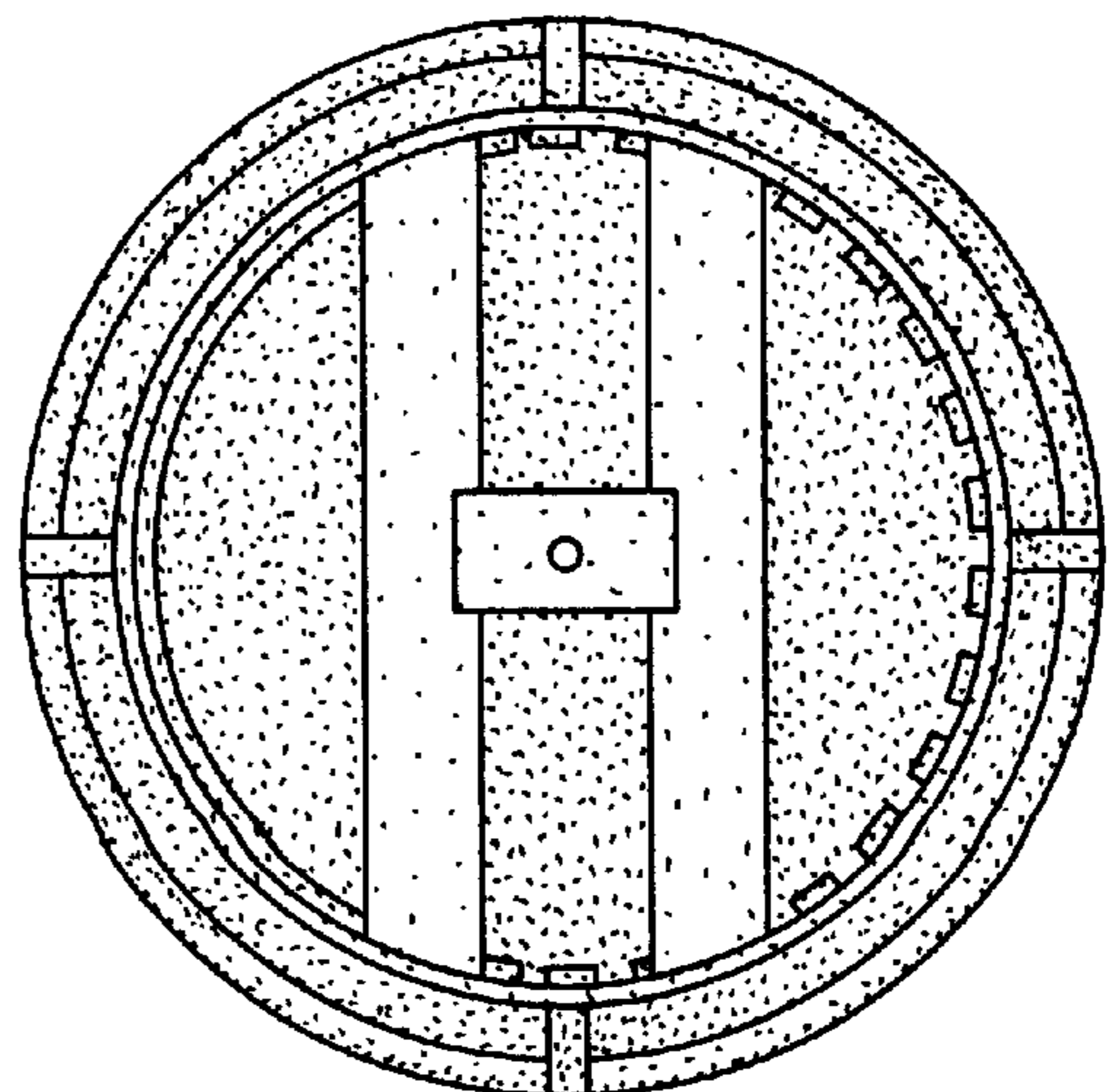


FIG. 14

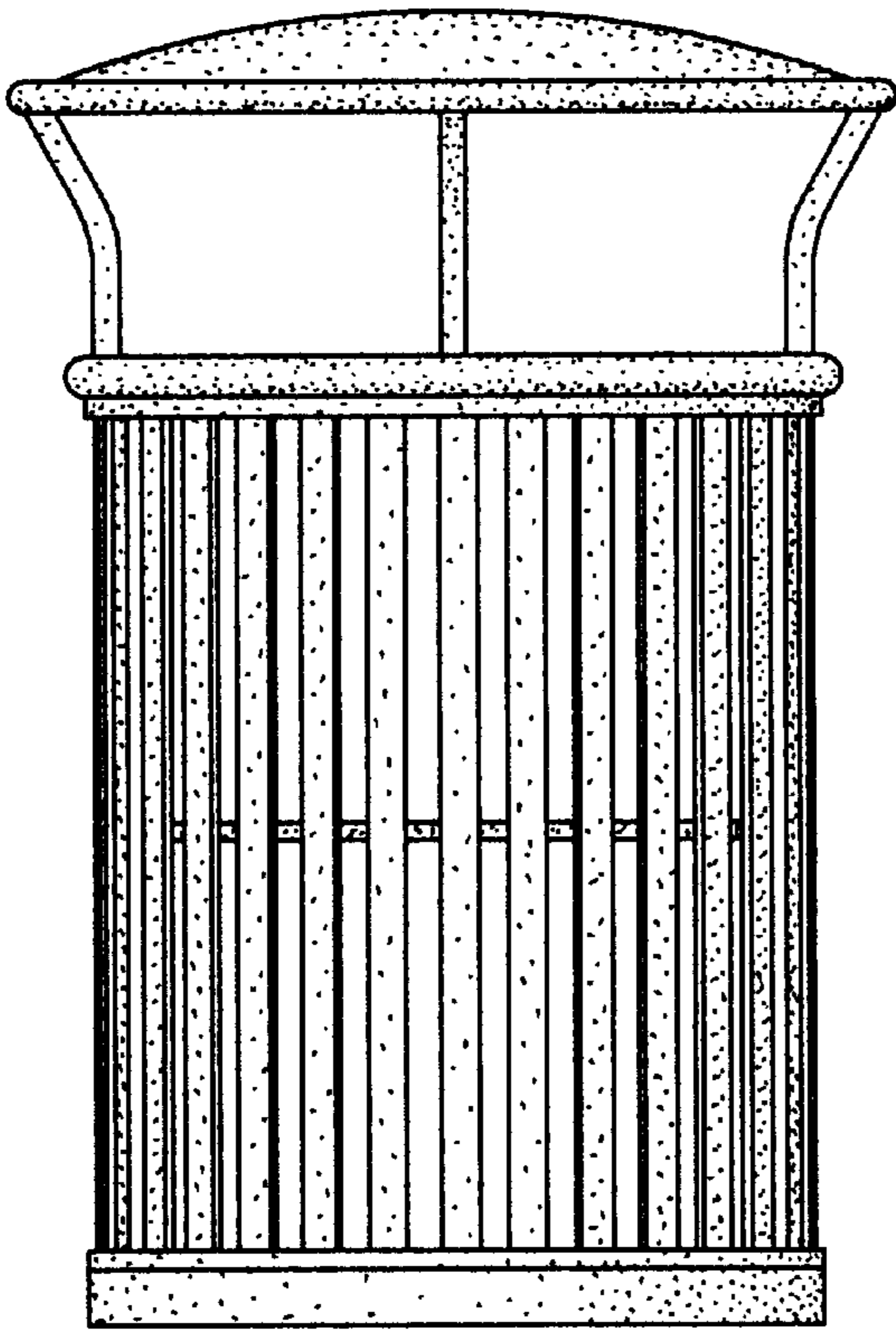


FIG. 11

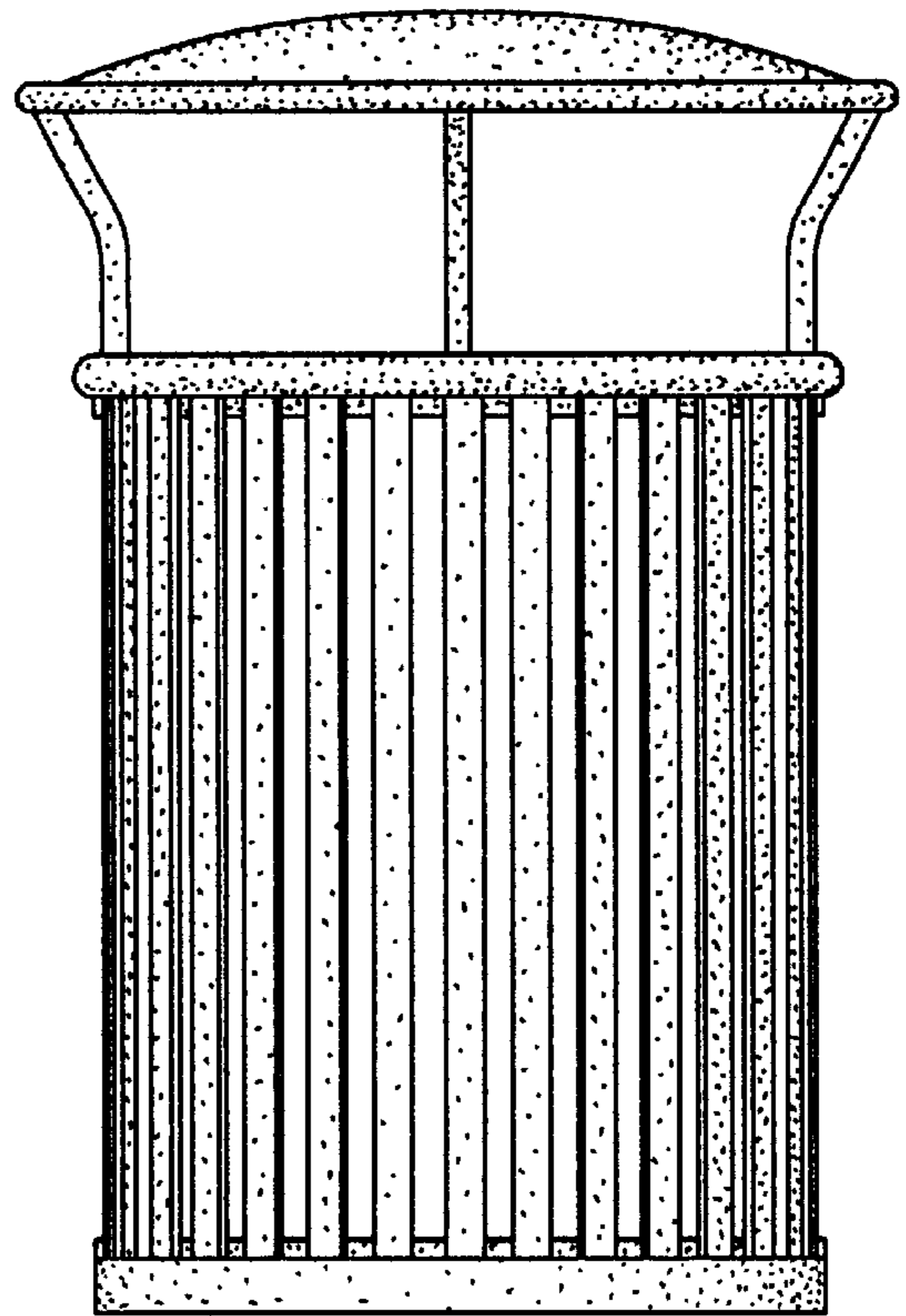


FIG. 12