



US00D483537S

(12) **United States Design Patent**
Skalka

(10) **Patent No.: US D483,537 S**

(45) **Date of Patent: ** *Dec. 9, 2003**

(54) **TRASH CAN RECEPTACLE**
(75) Inventor: **Gerald P. Skalka**, Potomac, MD (US)
(73) Assignee: **Victor Stanley, Inc.**, Dunkirk, MD (US)

D448,905 S * 10/2001 Skalka D34/1
D460,592 S * 7/2002 Skalka D34/1
D461,939 S * 8/2002 Skalka D34/1
D464,184 S * 10/2002 Skalka D34/1
D464,781 S * 10/2002 Skalka D34/1
D465,892 S * 11/2002 Weiss et al. D34/1
D466,664 S * 12/2002 Hsu D34/1

(*) Notice: This patent is subject to a terminal disclaimer.

(**) Term: **14 Years**

(21) Appl. No.: **29/142,875**

(22) Filed: **Jun. 5, 2001**

Related U.S. Application Data

(63) Continuation-in-part of application No. 29/112,653, filed on Oct. 22, 1999.

(51) **LOC (7) Cl. 09-09**

(52) **U.S. Cl. D34/1**

(58) **Field of Search D34/1, 5, 6, 7, D34/10, 11; 220/908, 909, 910, 911**

(56) **References Cited**

U.S. PATENT DOCUMENTS

D304,253 S 10/1989 Skalka
D304,632 S 11/1989 Skalka
D305,470 S 1/1990 Yoshikawa
D306,928 S 3/1990 Hanna
D314,461 S 2/1991 Skalka
D353,250 S 12/1994 Skalka
D371,657 S 7/1996 Kirn et al.
5,624,050 A 4/1997 Haas
D394,930 S 6/1998 Creske
D397,361 S 8/1998 Goodman et al.
D398,649 S * 9/1998 Ricci D34/1 X
D417,053 S 11/1999 Skalka
D421,824 S 3/2000 Hornyak
D423,166 S 4/2000 Hornyak
D424,769 S 5/2000 Hornyak

OTHER PUBLICATIONS

Victor Stanley, Inc. "Litter King™ Series," www.victorstanley.com/html/prod-litterking.html (1999).

* cited by examiner

Primary Examiner—Cynthia E. Ramirez

(74) *Attorney, Agent, or Firm*—Jacobson Holman PLLC

(57) **CLAIM**

The ornamental design for a trash can receptacle, as shown and described.

DESCRIPTION

FIG. 1 is a top perspective view of a trash can receptacle showing a first embodiment of my new design;

FIG. 2 is a left side elevational view of the trash can receptacle of FIG. 1, the right side elevational view being a mirror image thereof;

FIG. 3 is a top plan view of the trash can receptacle of FIG. 1;

FIG. 4 is a bottom plan view of the trash can receptacle of FIG. 1;

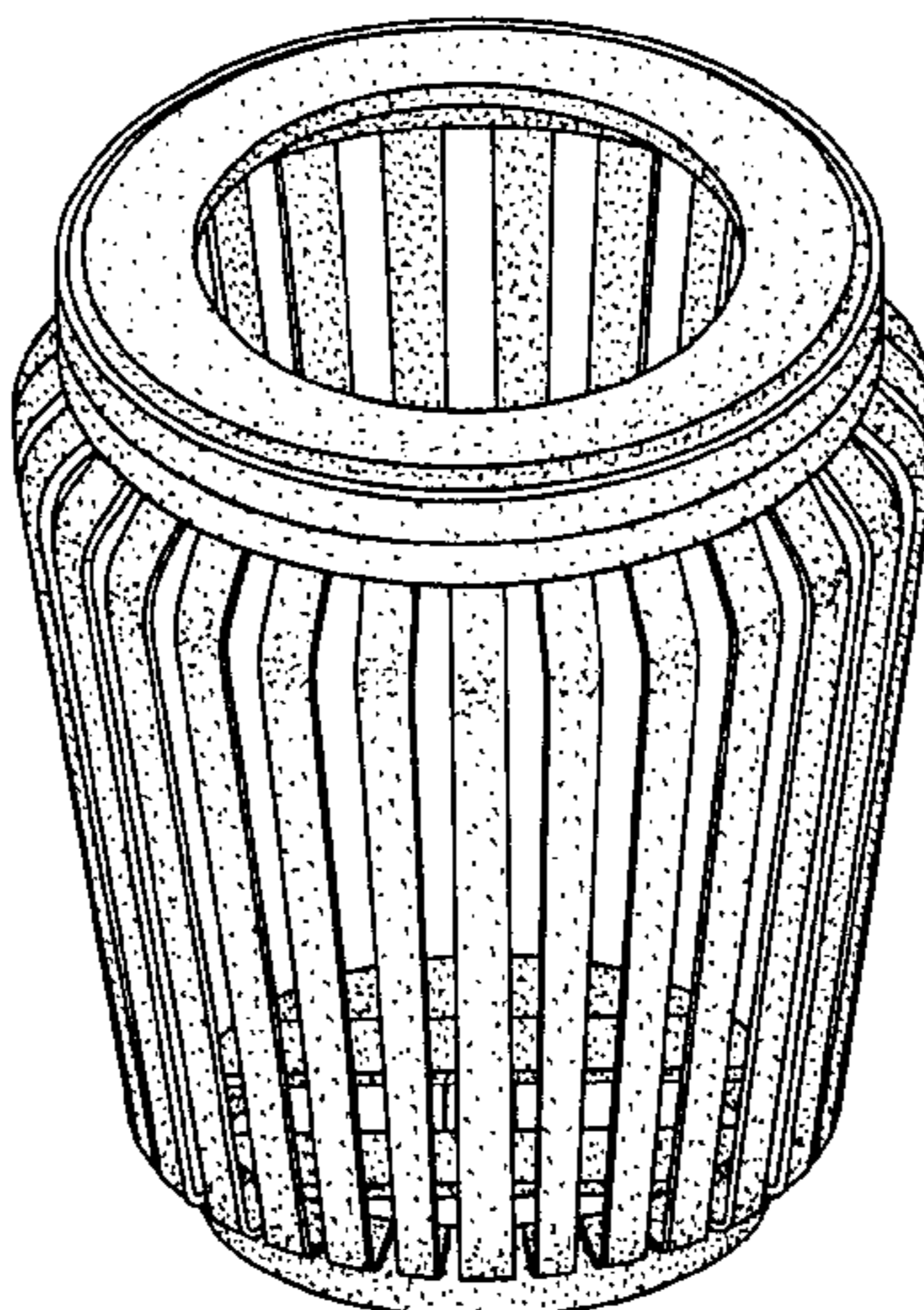
FIG. 5 is a top perspective view of a trash can receptacle showing a second embodiment of my new design;

FIG. 6 is a left side elevational view of the trash can receptacle of FIG. 5, the right side elevational view being a mirror image thereof.

FIG. 7 is a top plan view of the trash can receptacle of FIG. 5; and,

FIG. 8 is a bottom plan view of the trash can receptacle of FIG. 5.

1 Claim, 4 Drawing Sheets



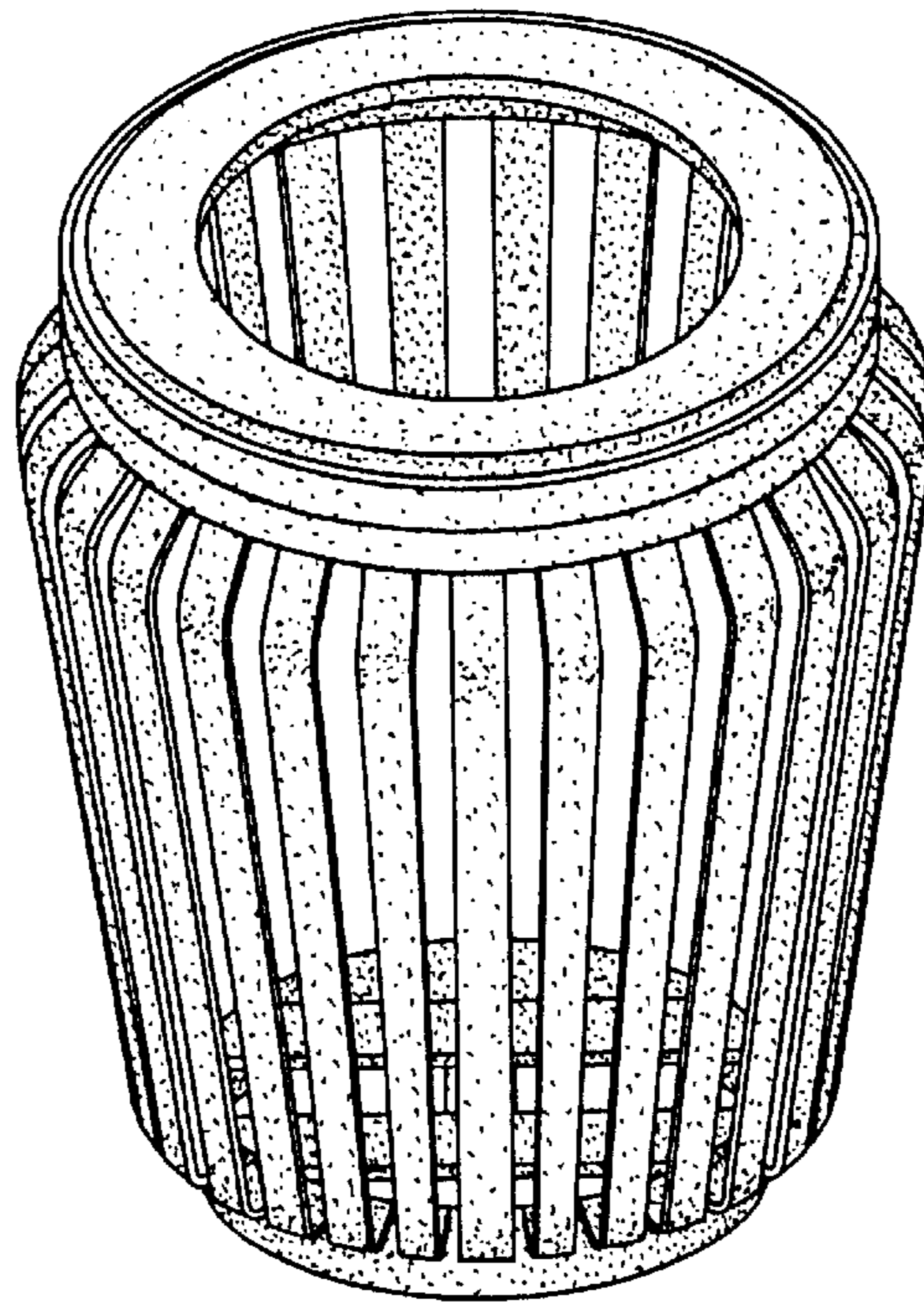


FIG. 1

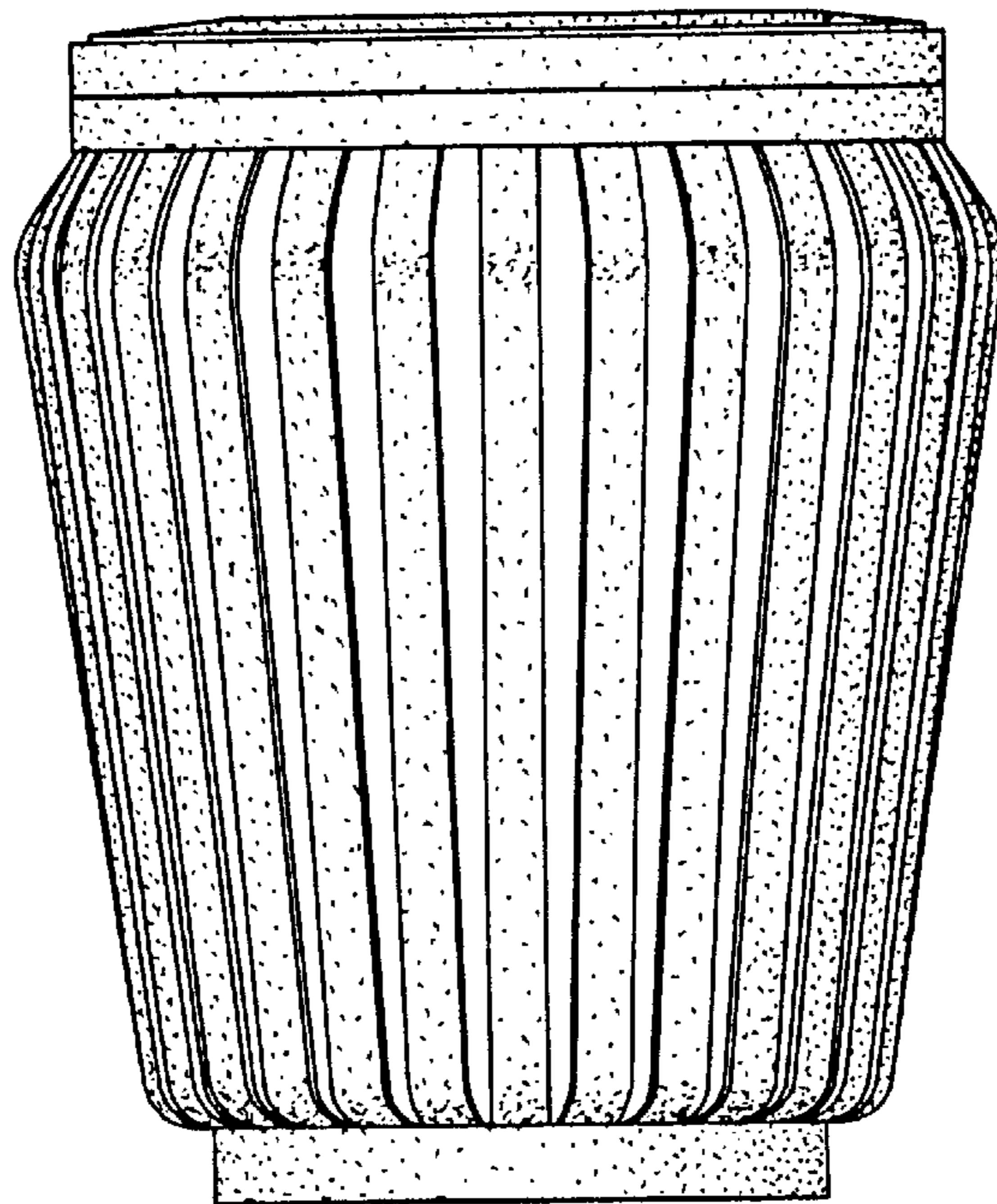


FIG. 2

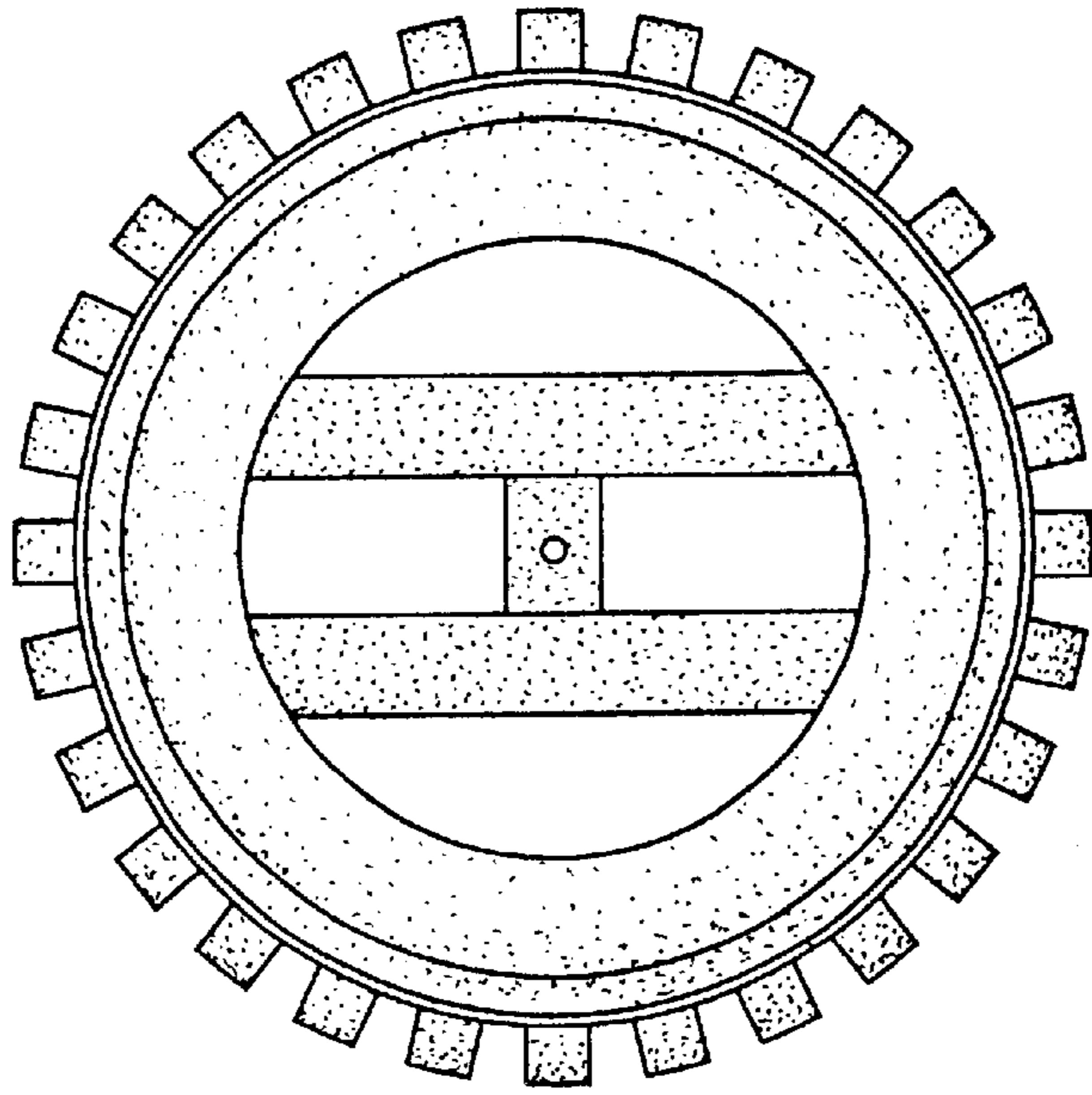


FIG. 3

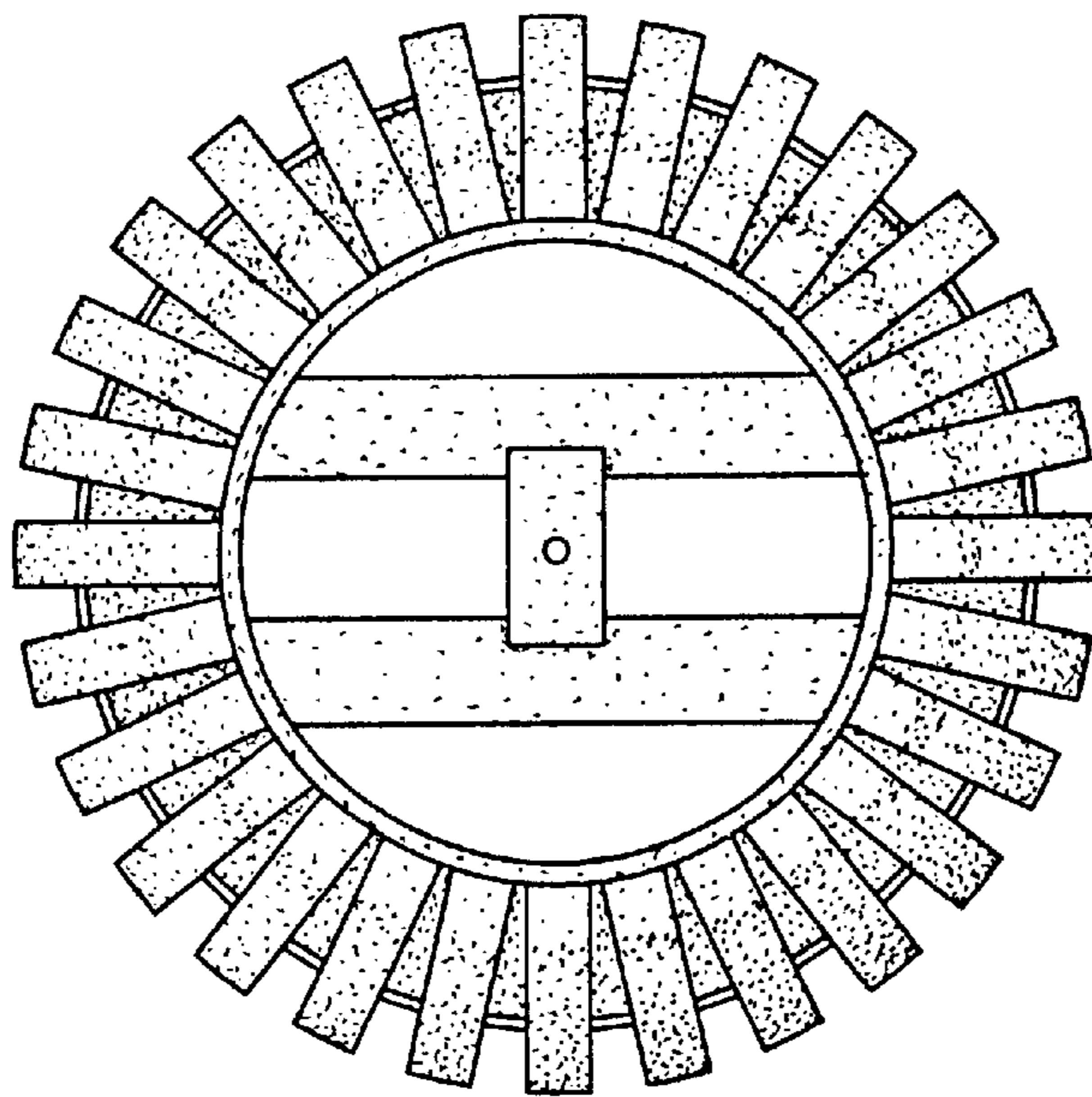


FIG. 4

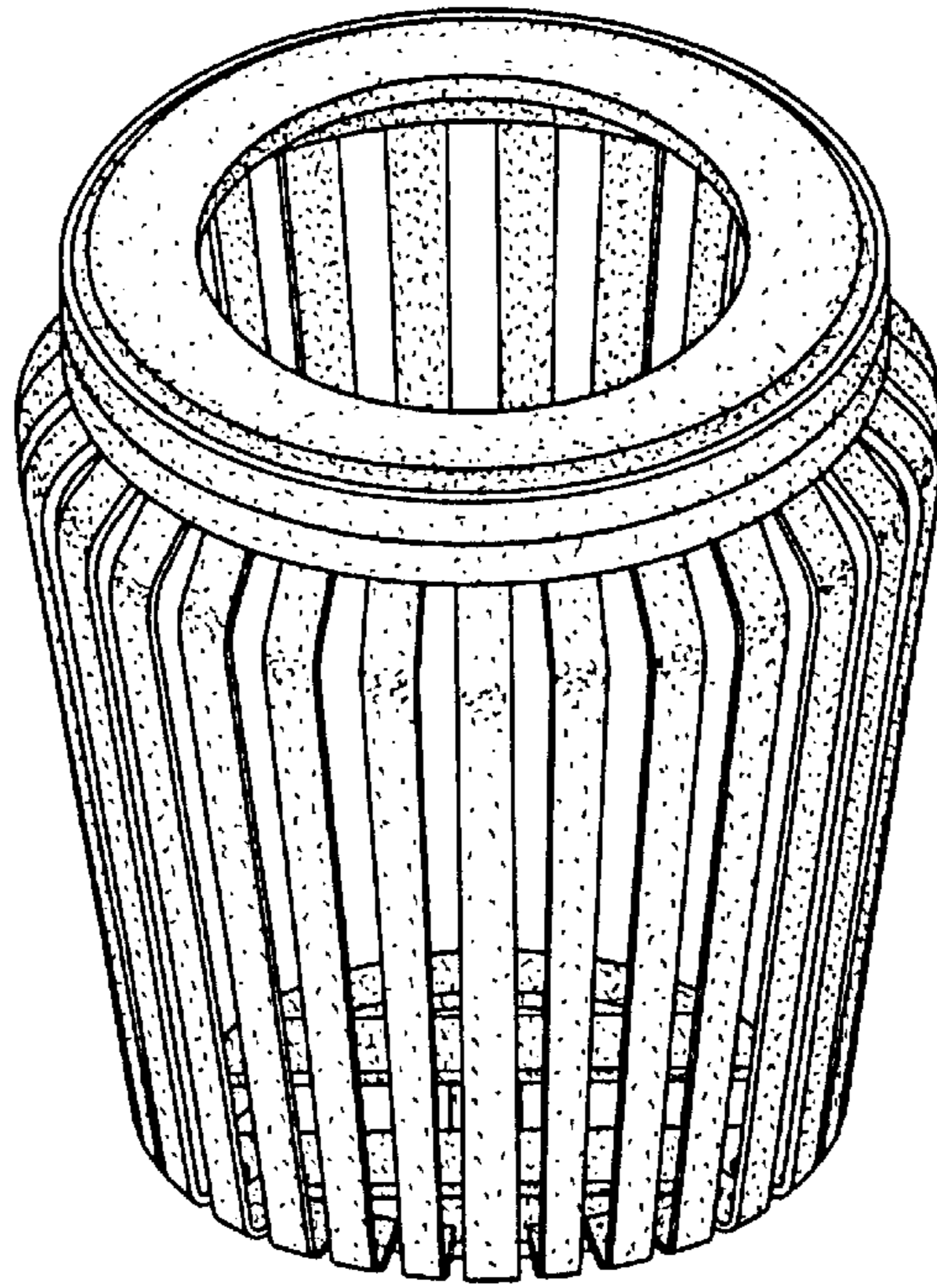


FIG. 5

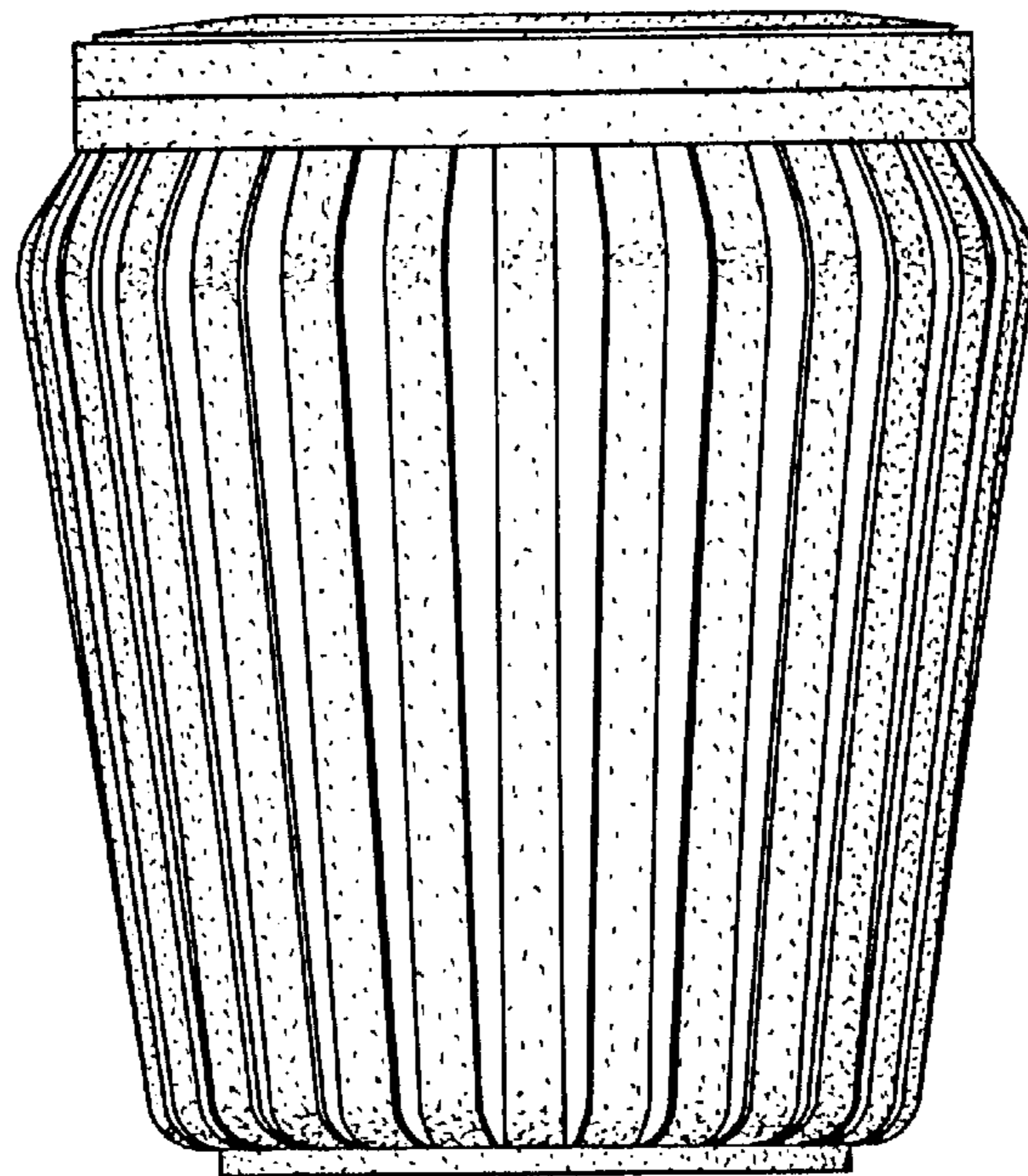


FIG. 6

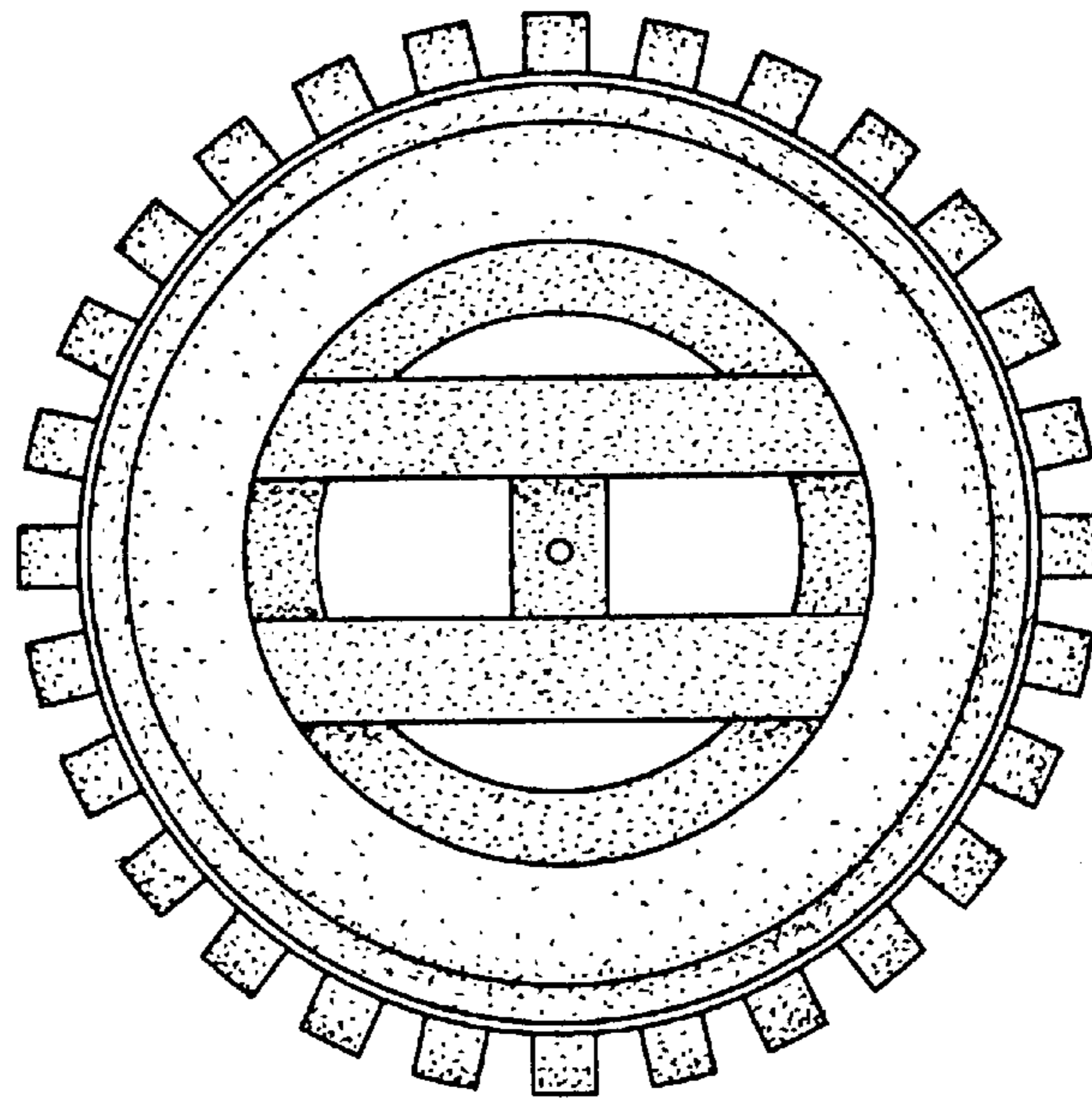


FIG. 7

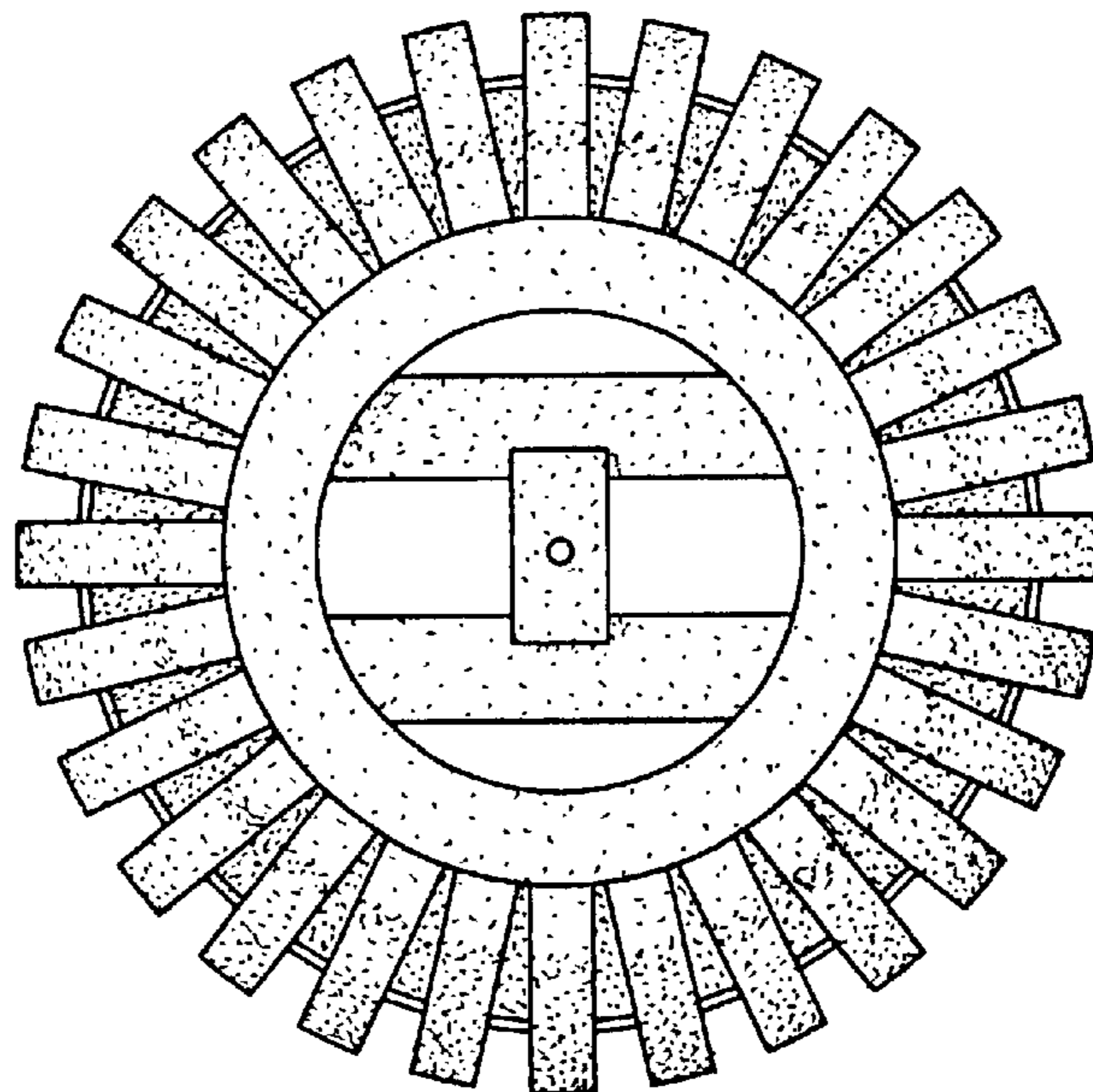


FIG. 8