



US00D483536S

(12) **United States Design Patent**
Martin

(10) **Patent No.:** **US D483,536 S**

(45) **Date of Patent:** **** Dec. 9, 2003**

(54) **VACUUM CLEANER COMB AND BRUSH ATTACHMENT**

(76) **Inventor:** **Horace R Martin**, 115 Garfield Ave., Plainfield, NJ (US) 07062

(**) **Term:** **14 Years**

(21) **Appl. No.:** **29/169,804**

(22) **Filed:** **Oct. 25, 2002**

(51) **LOC (7) Cl.** **15-05**

(52) **U.S. Cl.** **D32/31; D28/18; D32/33**

(58) **Field of Search** D32/31-33, 21, D32/22, 23; 15/415.1-422.1, 320-322, 350, 352-353, 361-362, 400, 412, 414, 393, 398; D28/10, 18; D30/158; 132/272; 34/97; D4/102, 116; 392/380, 383

(56) **References Cited**

U.S. PATENT DOCUMENTS

1,015,352 A	1/1912	Slevin	
1,792,712 A	2/1931	Roscher	
3,574,885 A	* 4/1971	Jones	15/393
D247,980 S	* 5/1978	Wistrand	D28/18
5,287,635 A	* 2/1994	Chan	34/97
5,303,483 A	* 4/1994	Chan	34/97
D349,585 S	* 8/1994	Rizzuto, Jr.	D28/18

D389,618 S	*	1/1998	Rosen	D32/33
D392,413 S	*	3/1998	Gudefin	D28/18
D407,848 S	*	4/1999	Celik	D28/15
6,044,521 A		4/2000	Sebek	15/393
D444,925 S	*	7/2001	Monette	D30/158

* cited by examiner

Primary Examiner—Ruth McInroy

(74) *Attorney, Agent, or Firm*—Goldstein & Lavas, P.C.

(57) **CLAIM**

The ornamental design for a vacuum cleaner comb and brush attachment, as shown and described.

DESCRIPTION

FIG. 1 is a perspective view of a vacuum cleaner comb and brush attachment in full lines with a vacuum cleaner hose shown in broken lines representing environmental association matter being for illustrative purposes only and forming no part of the claimed invention;

FIG. 2 is a front elevational view of the vacuum cleaner comb and brush attachment;

FIG. 3 is a rear elevational view thereof;

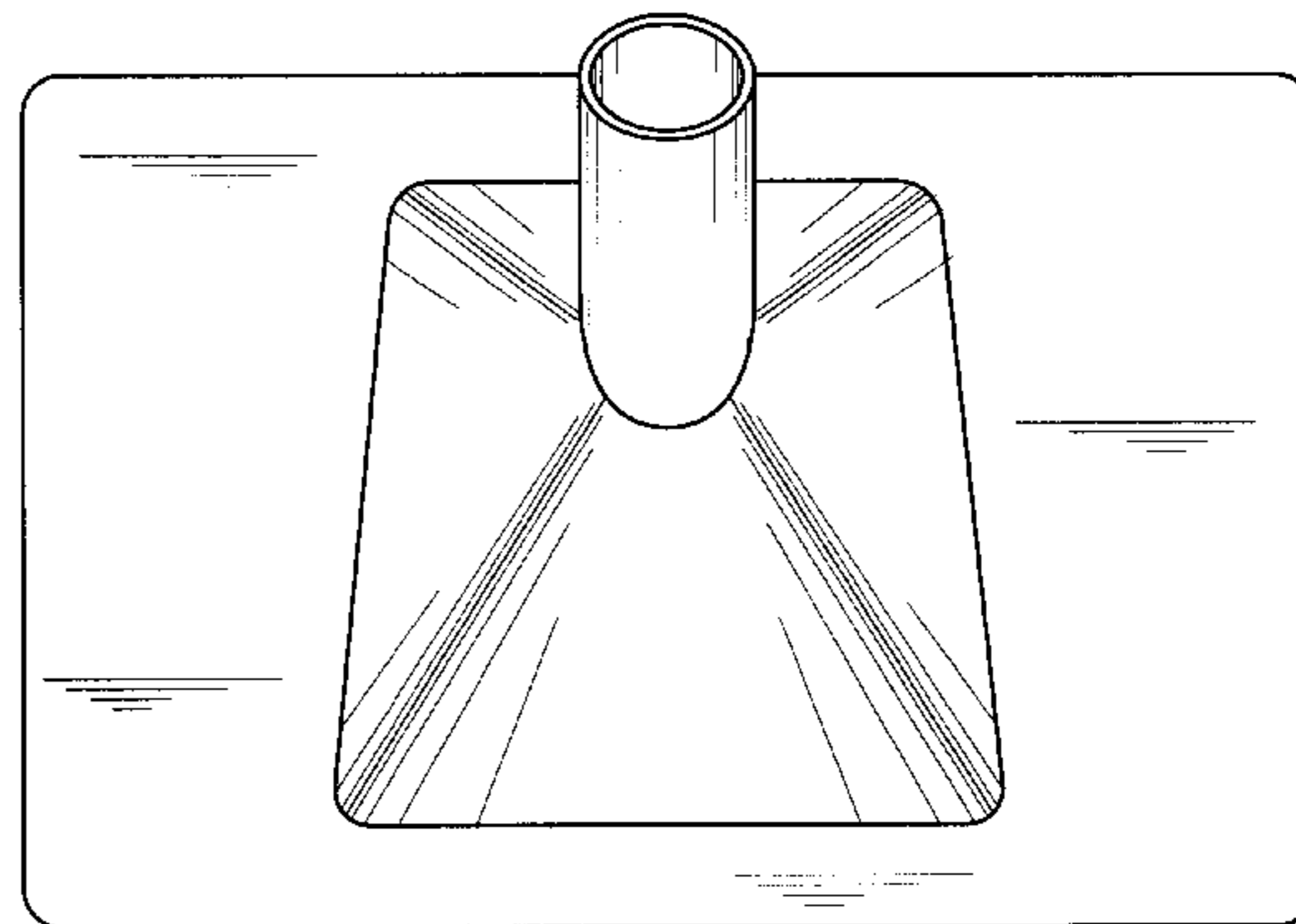
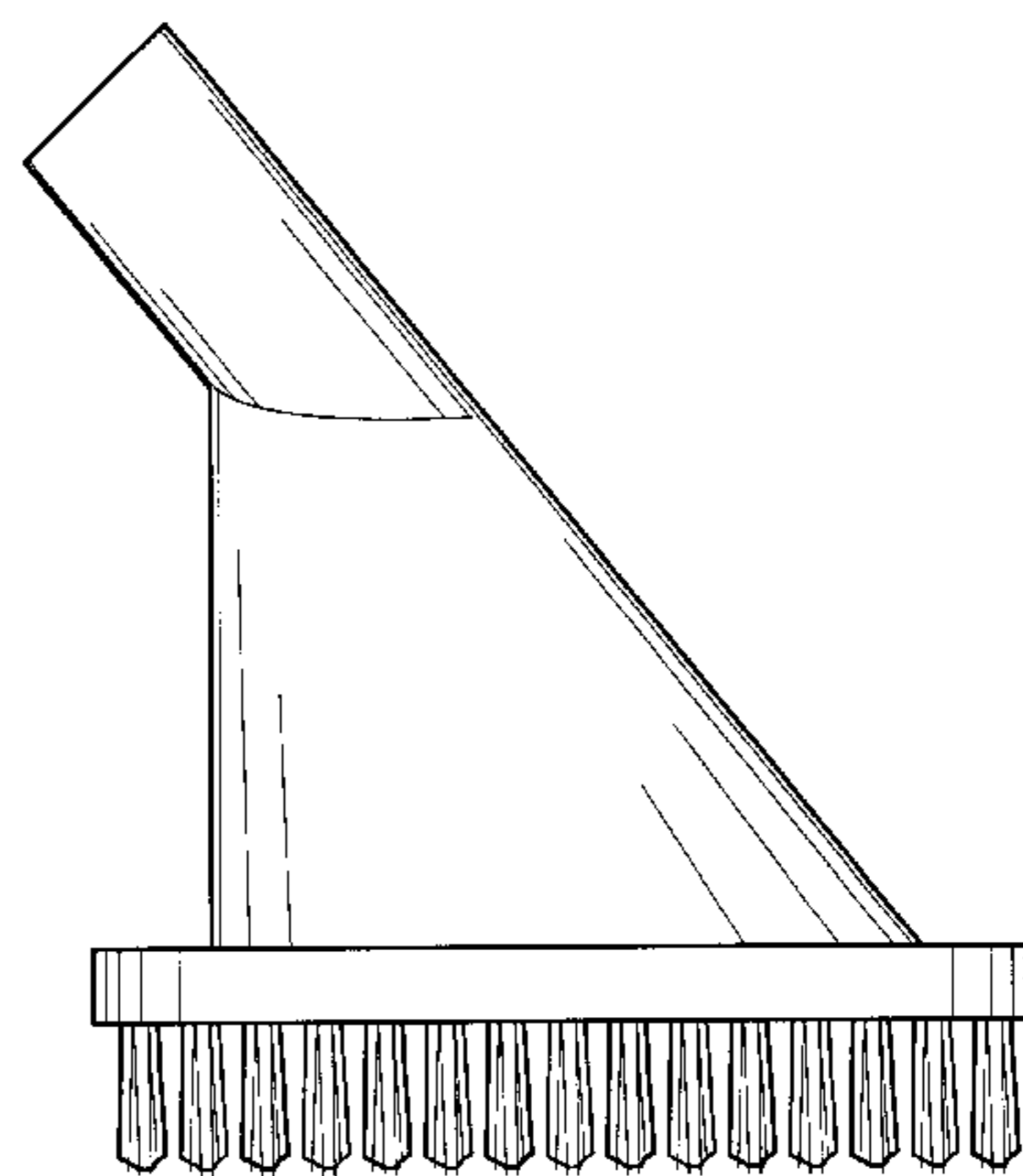
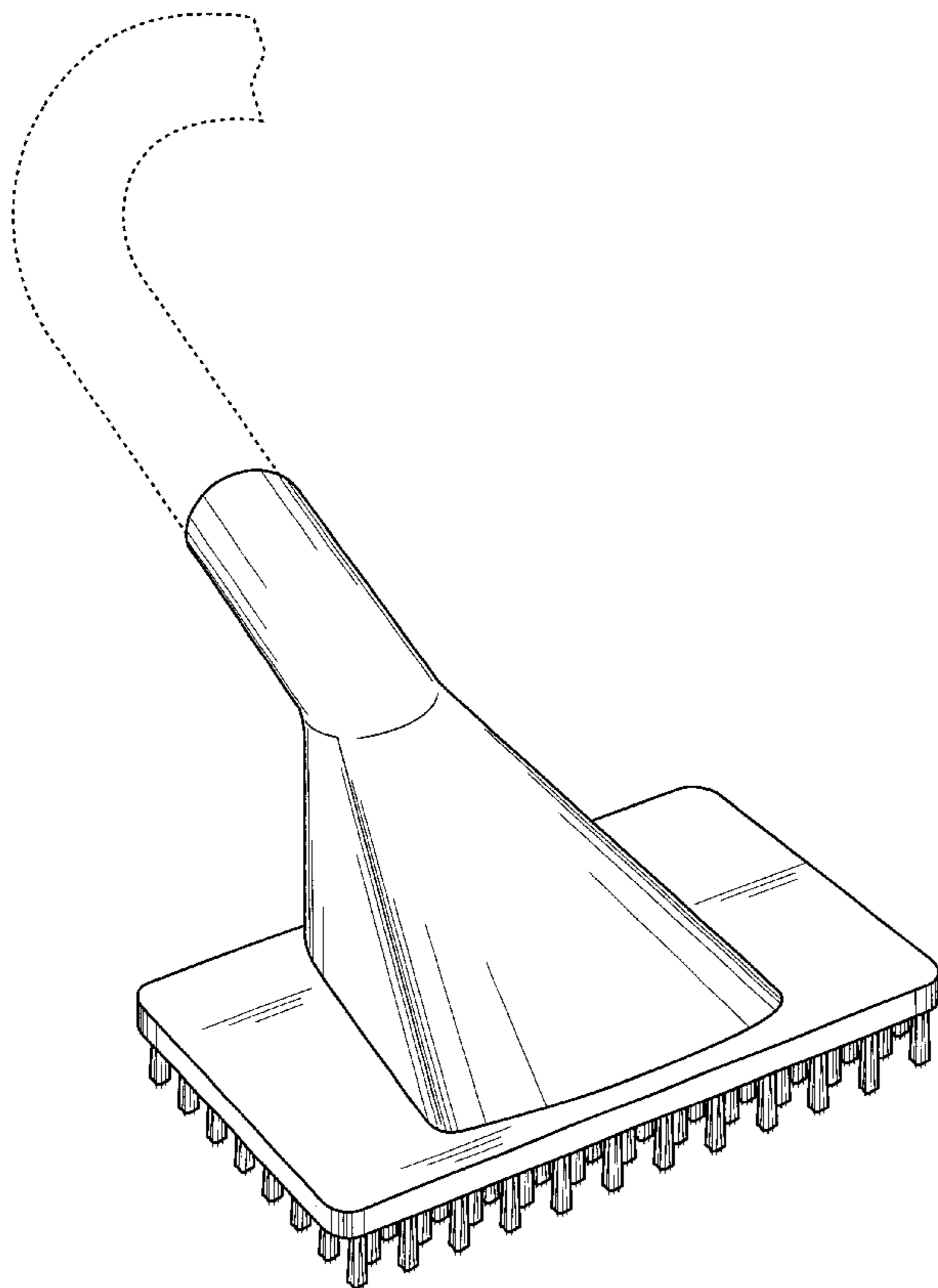
FIG. 4 is a left side elevational view thereof;

FIG. 5 is a right side elevational view thereof;

FIG. 6 is a top plan view thereof; and,

FIG. 7 is a bottom plan view thereof.

1 Claim, 4 Drawing Sheets



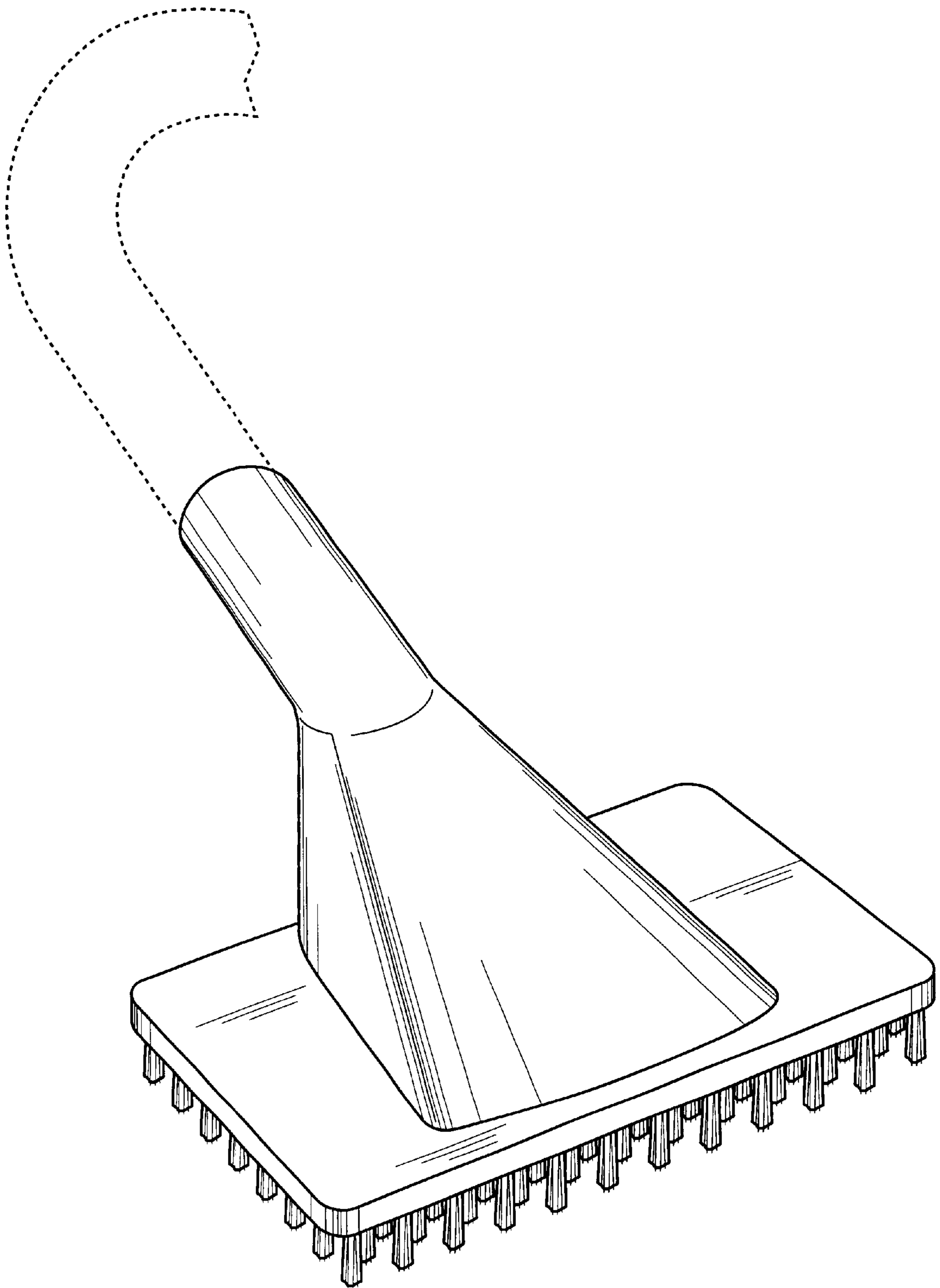


FIG. 1

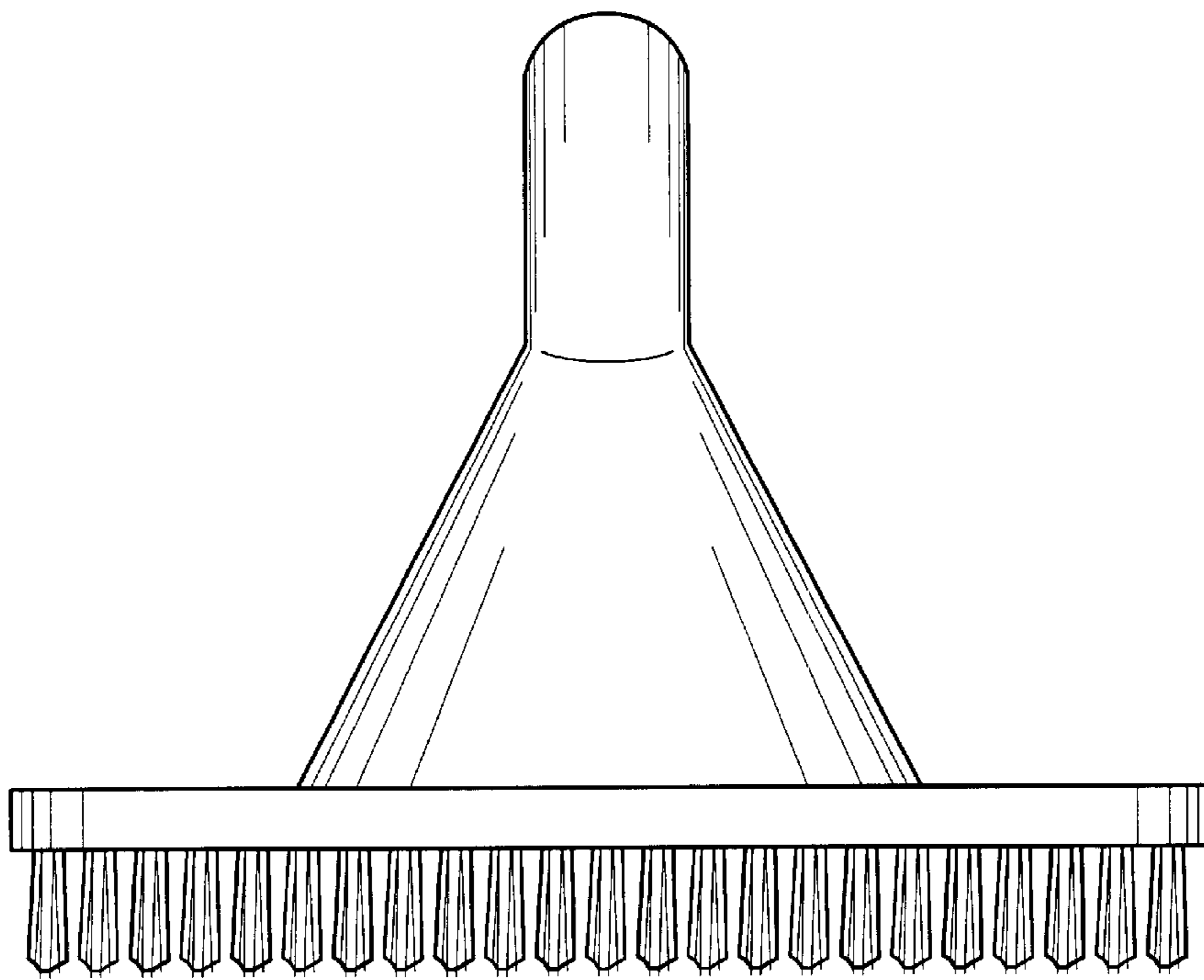


FIG. 2

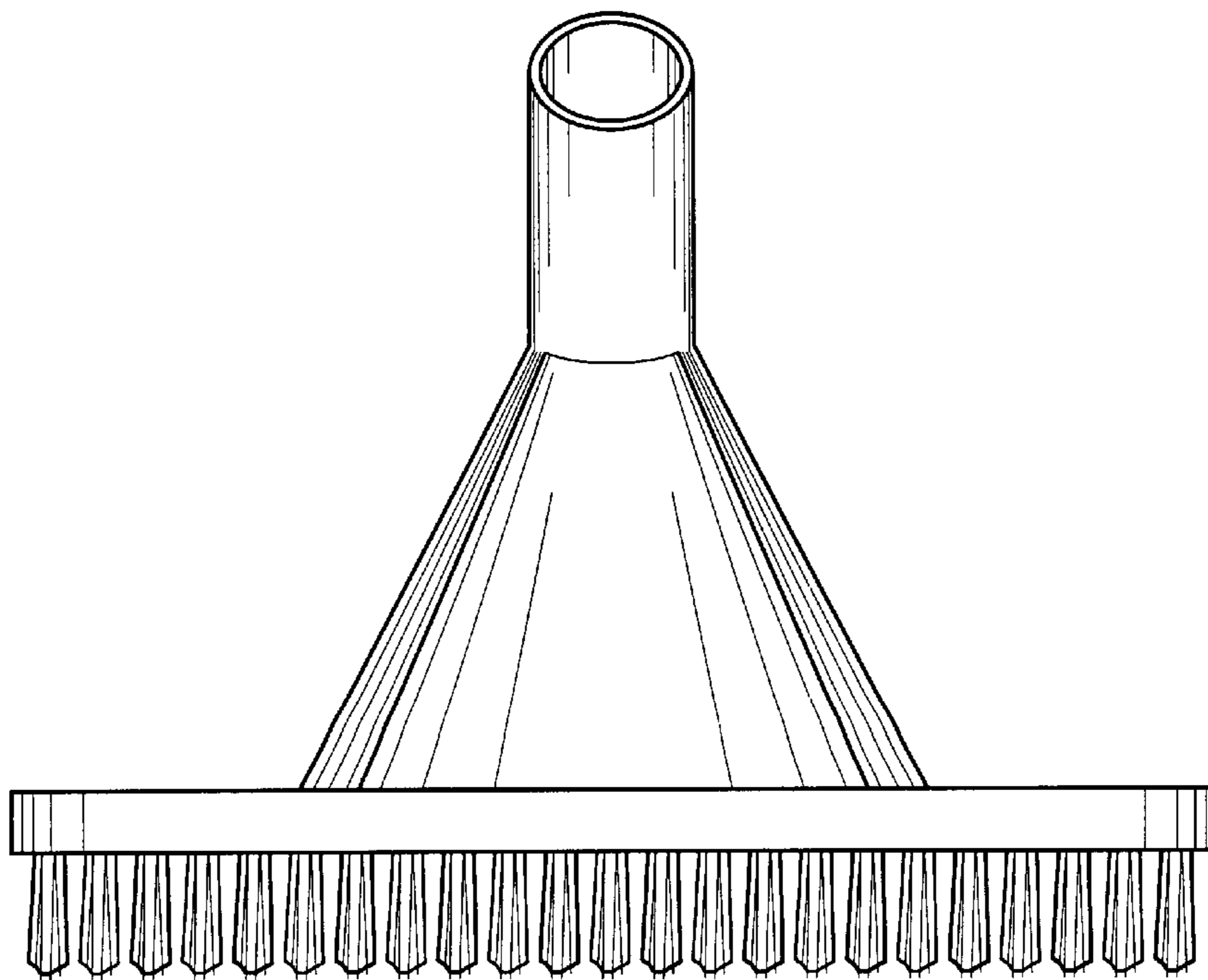


FIG. 3

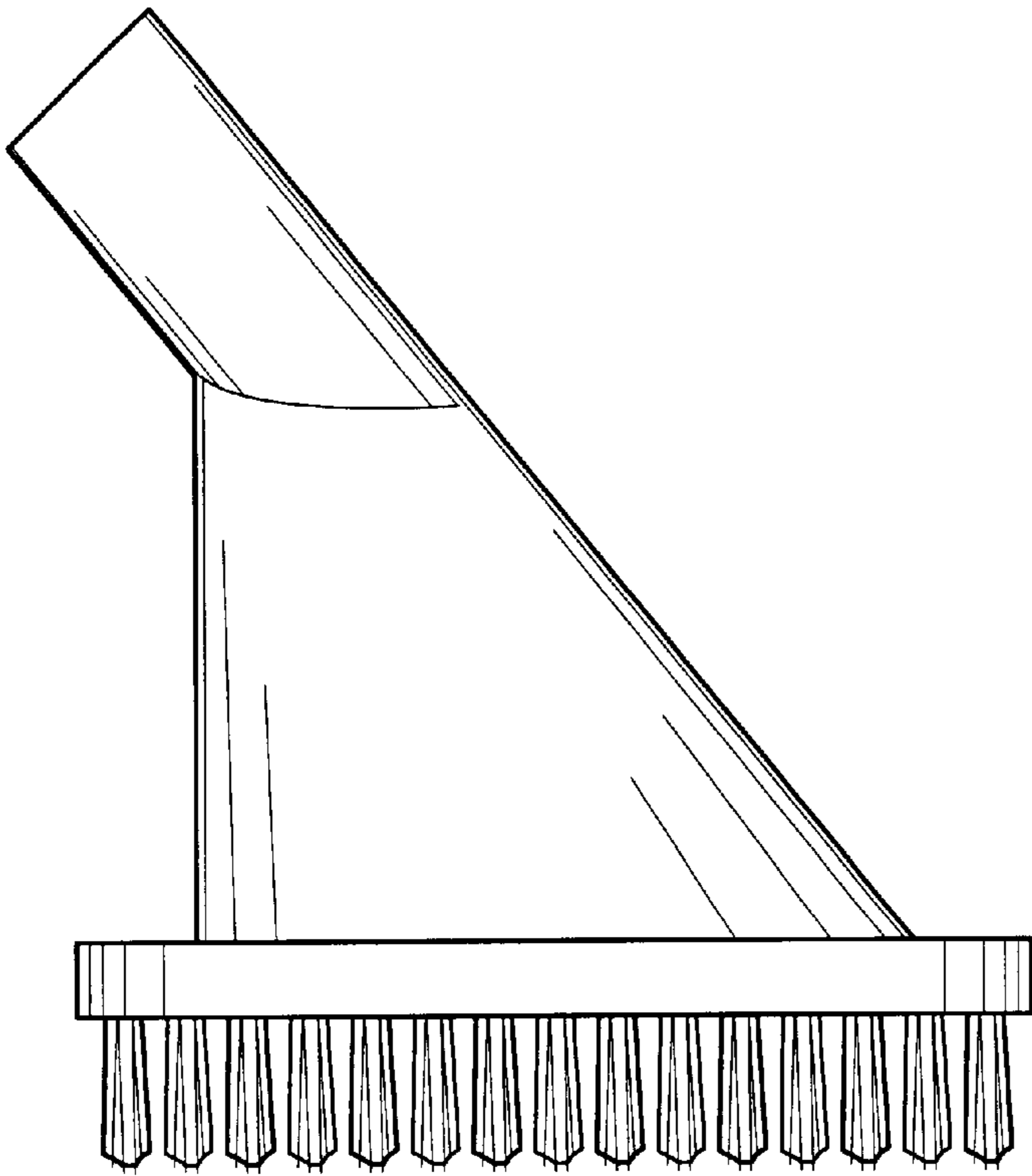


FIG. 4

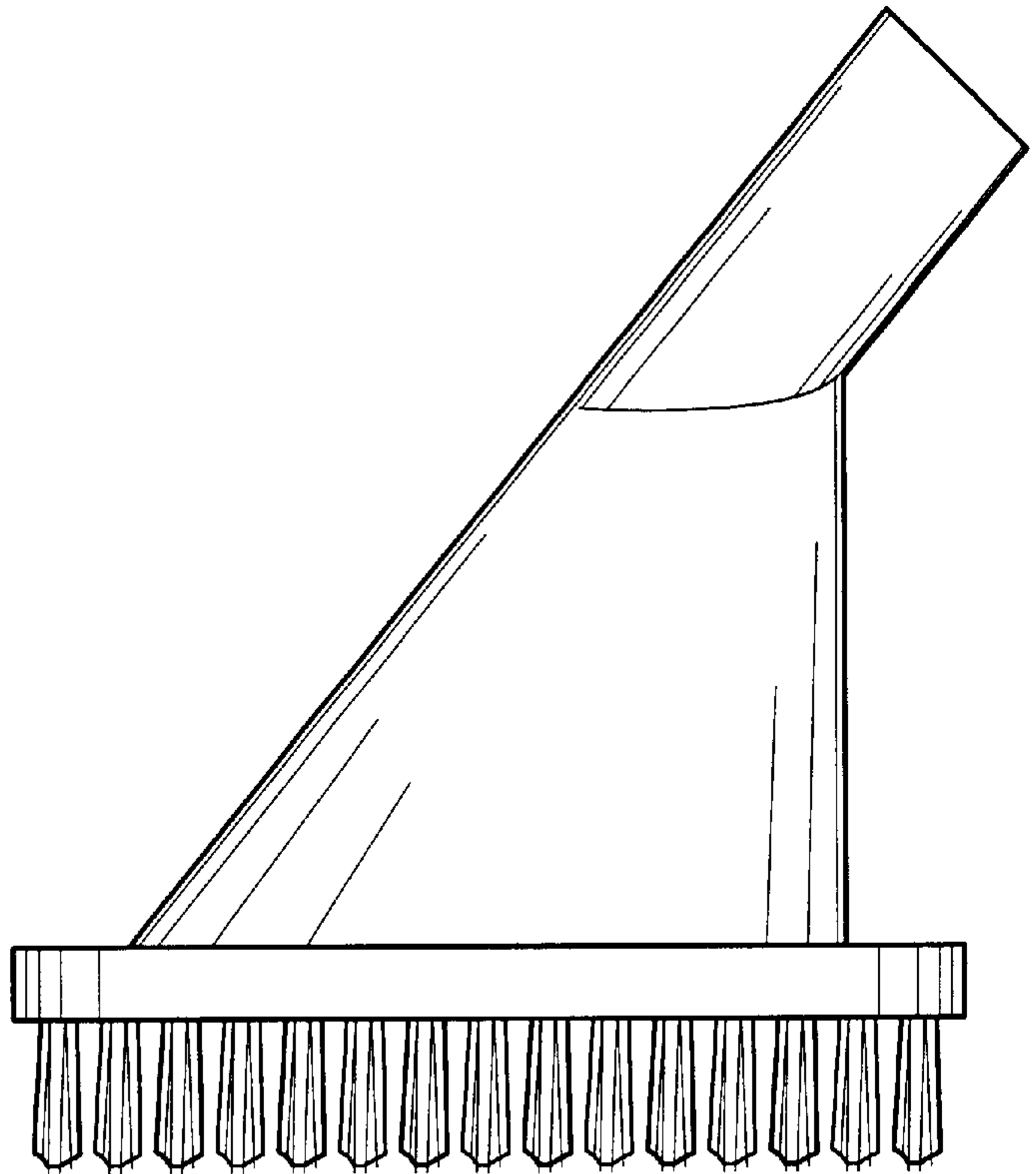


FIG. 5

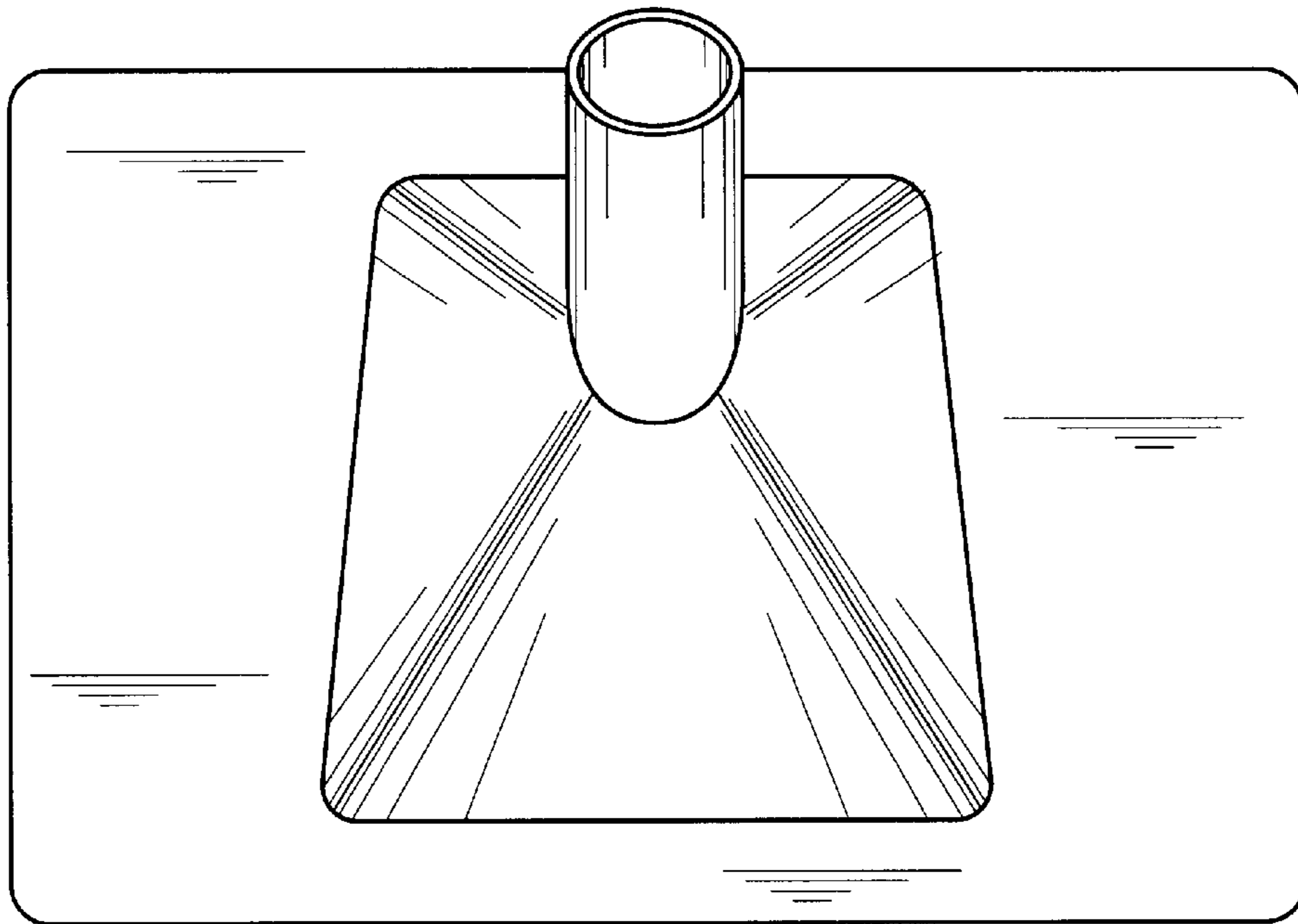


FIG. 6

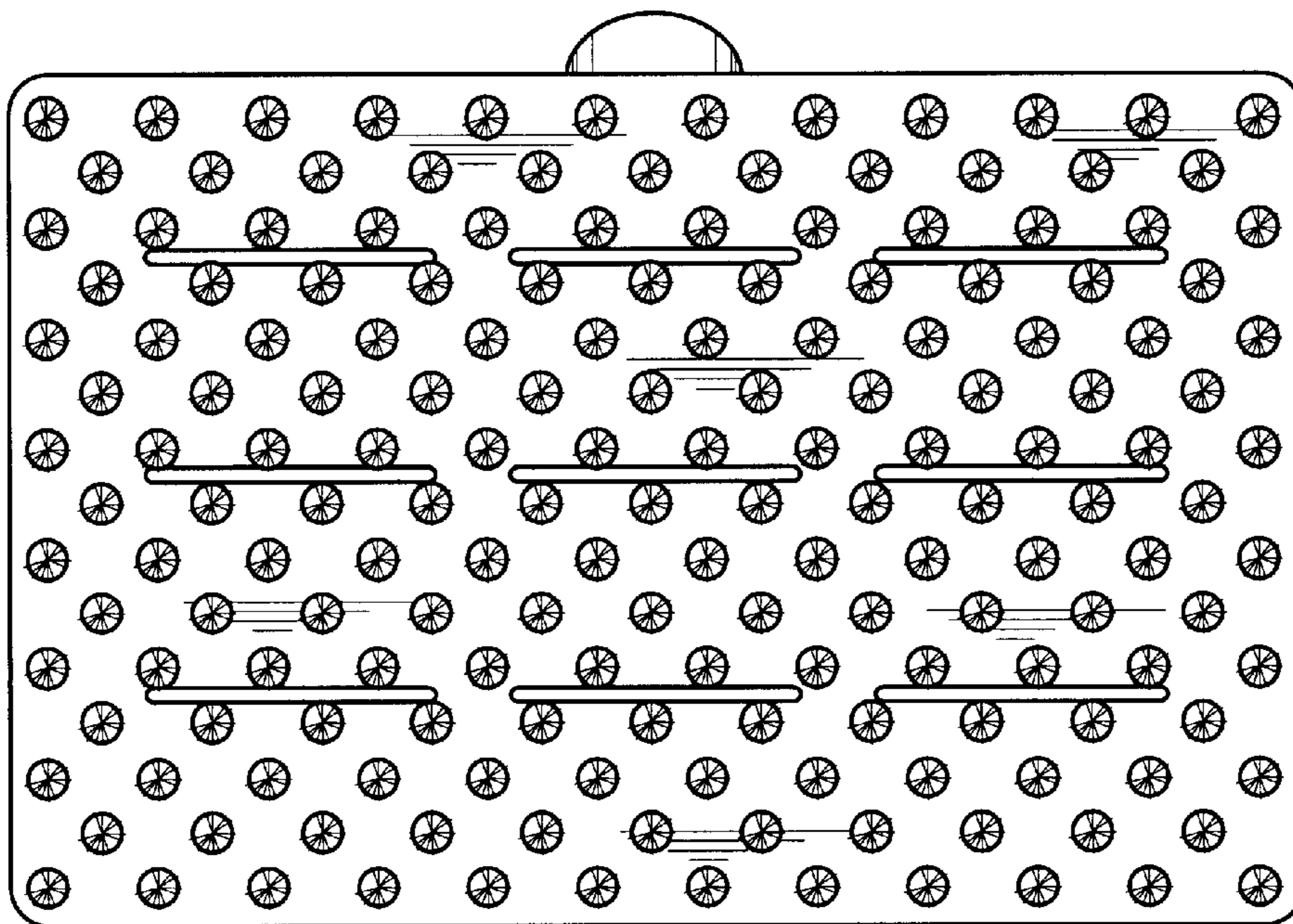


FIG. 7