



US00D483534S

(12) **United States Design Patent**
Nelson et al.

(10) **Patent No.:** **US D483,534 S**
(45) **Date of Patent:** **** Dec. 9, 2003**

(54) **SCRUBBER**

(76) Inventors: **Marc O. Nelson**, 14061 92nd Pl. North,
Maple Grove, MN (US) 55369; **Earl E. Martens**, 10085 99th Ave. North,
Maple Grove, MN (US) 55369

(**) **Term:** **14 Years**

(21) **Appl. No.:** **29/155,844**

(22) **Filed:** **Feb. 20, 2002**

Related U.S. Application Data

(63) Continuation-in-part of application No. 09/906,569, filed on
Jul. 16, 2001, now Pat. No. 6,524,173.

(51) **LOC (7) Cl.** **15-05**

(52) **U.S. Cl.** **D32/25; D4/123; D32/31**

(58) **Field of Search** **D4/122, 123; D32/25,**
D32/31-33, 35, 40; 15/104.001, 104.002,
210.1, 210.5, 24, 27, 182, 183, 230.11,
321, 322, 388, 393, 396; 401/197, 219,
220; 451/178, 541, 547; 492/35

(56) **References Cited**

U.S. PATENT DOCUMENTS

299,131 A *	5/1884	Guild	451/541
878,348 A *	2/1908	Corbett	492/35 X
1,575,939 A	3/1926	Satterwhite et al.	
1,601,774 A	10/1926	Scheffer	
2,240,005 A	4/1941	Moyer	
2,382,464 A *	8/1945	Bown	451/541
2,506,077 A	5/1950	Goldsmith	
2,548,923 A *	4/1951	Walters	15/200
2,690,119 A *	9/1954	Black	492/35 X
2,949,620 A	8/1960	Noble	
3,147,509 A *	9/1964	Sieb	15/388 X
3,258,809 A	7/1966	Harvey	
3,281,885 A	11/1966	Hersh	
3,783,473 A	1/1974	Engquist	

3,829,019 A	8/1974	Petsch	
4,058,898 A *	11/1977	Nash	451/547
4,207,998 A	6/1980	Schmid	
4,282,626 A	8/1981	Schneider	
4,646,480 A *	3/1987	Williams	51/424
4,833,752 A	5/1989	Merrick	
5,343,591 A	9/1994	Clark	
5,428,865 A *	7/1995	Yarbrough	15/353
5,527,212 A *	6/1996	Bowen et al.	451/456
5,540,616 A *	7/1996	Thayer	451/354
5,545,080 A *	8/1996	Clowers et al.	451/354
5,690,545 A *	11/1997	Clowers et al.	15/28
5,970,559 A *	10/1999	Christy	15/104.001 X
6,019,545 A *	2/2000	Allen et al.	404/112
6,021,545 A	2/2000	Delgado et al.	
6,260,232 B1 *	7/2001	Nelson et al.	15/322
6,323,570 B1 *	11/2001	Nishimura et al.	15/392
6,347,985 B1 *	2/2002	Loveless	451/354
6,524,173 B1 *	2/2003	Nelson et al.	451/178

* cited by examiner

Primary Examiner—Alan P. Douglas
Assistant Examiner—Lavone D. Tabor

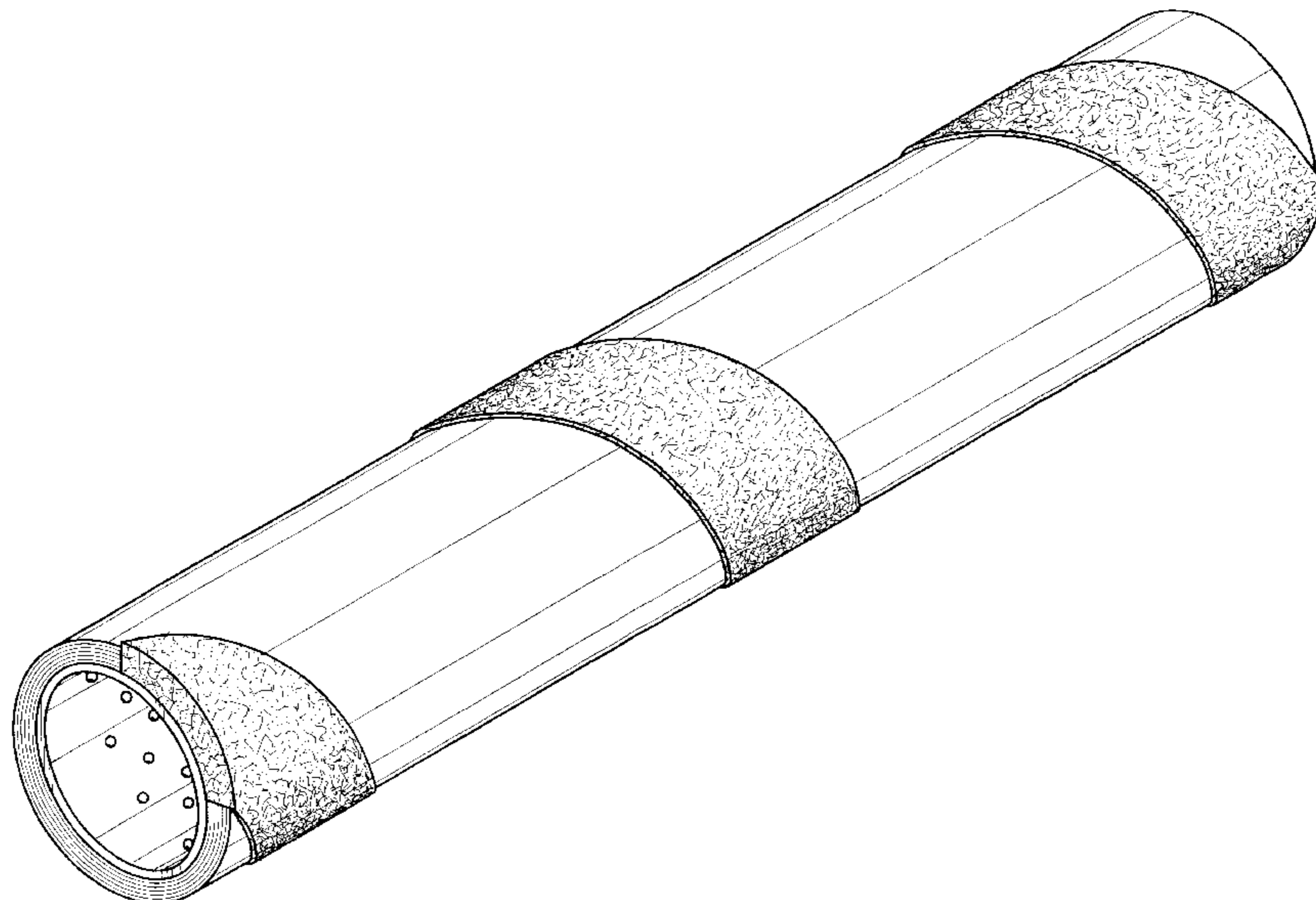
(57) **CLAIM**

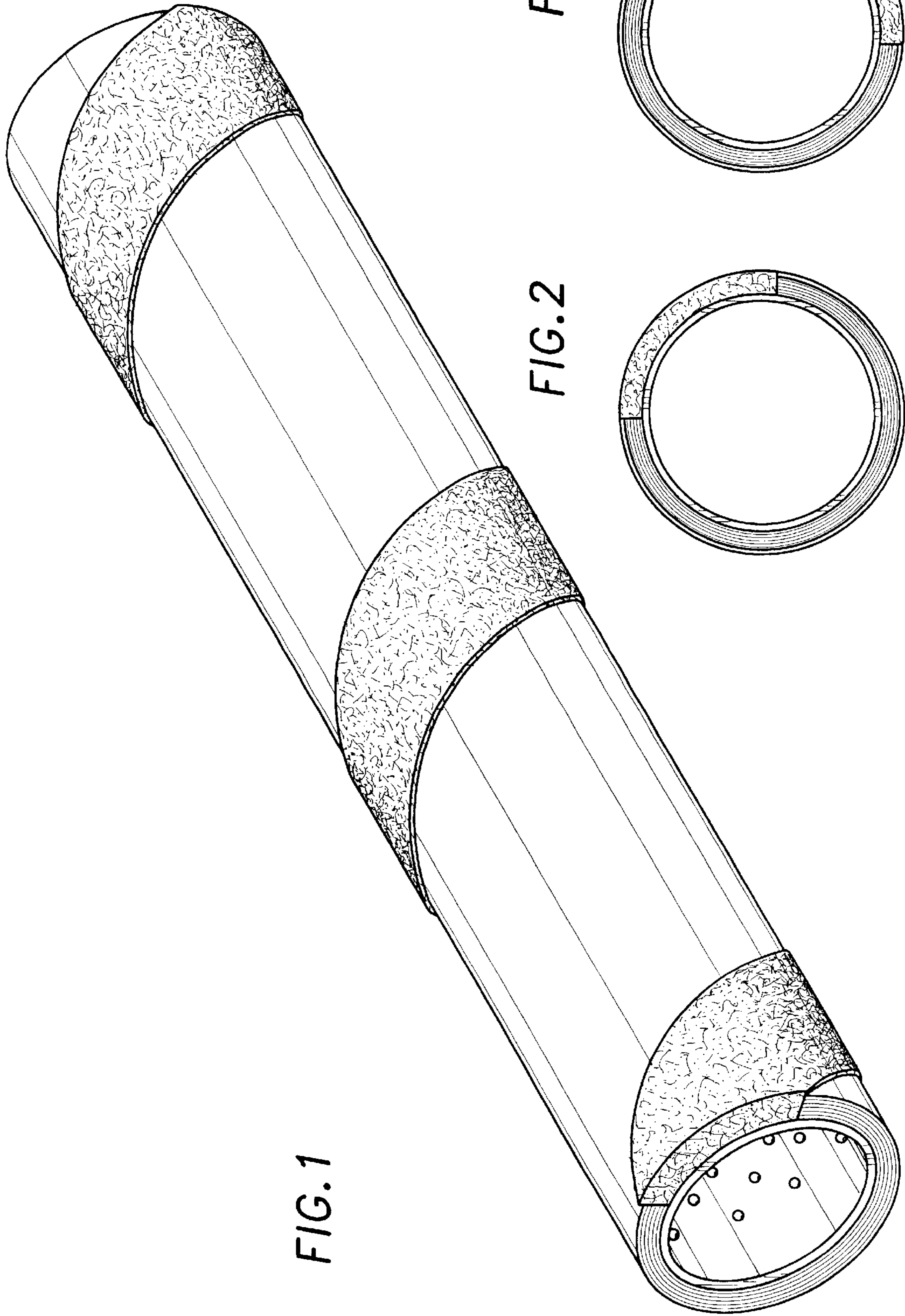
The ornamental design of a scrubber, as shown and described.

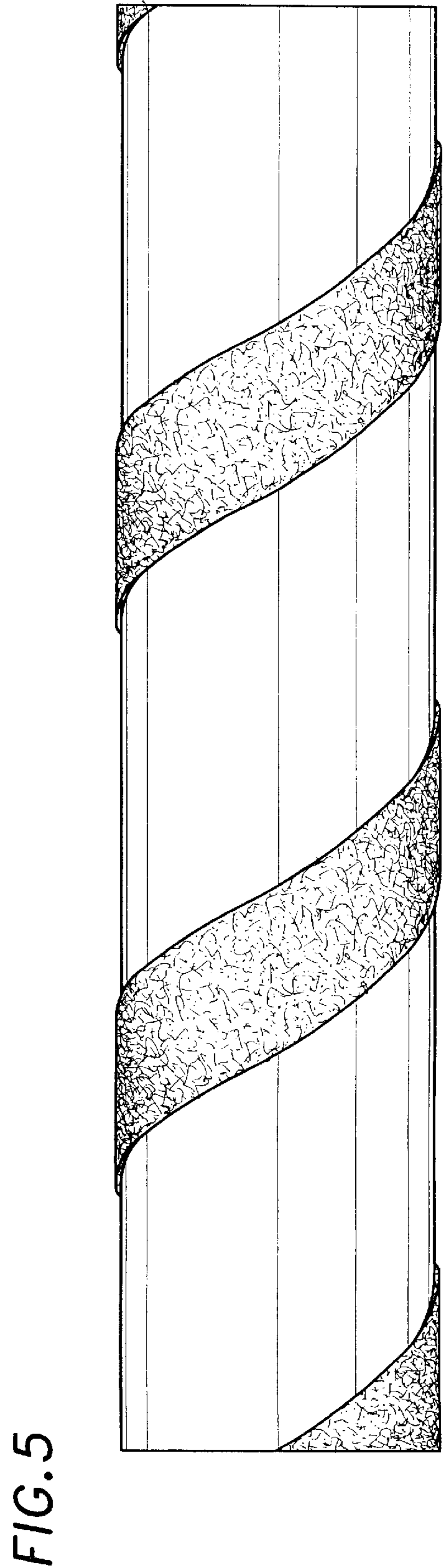
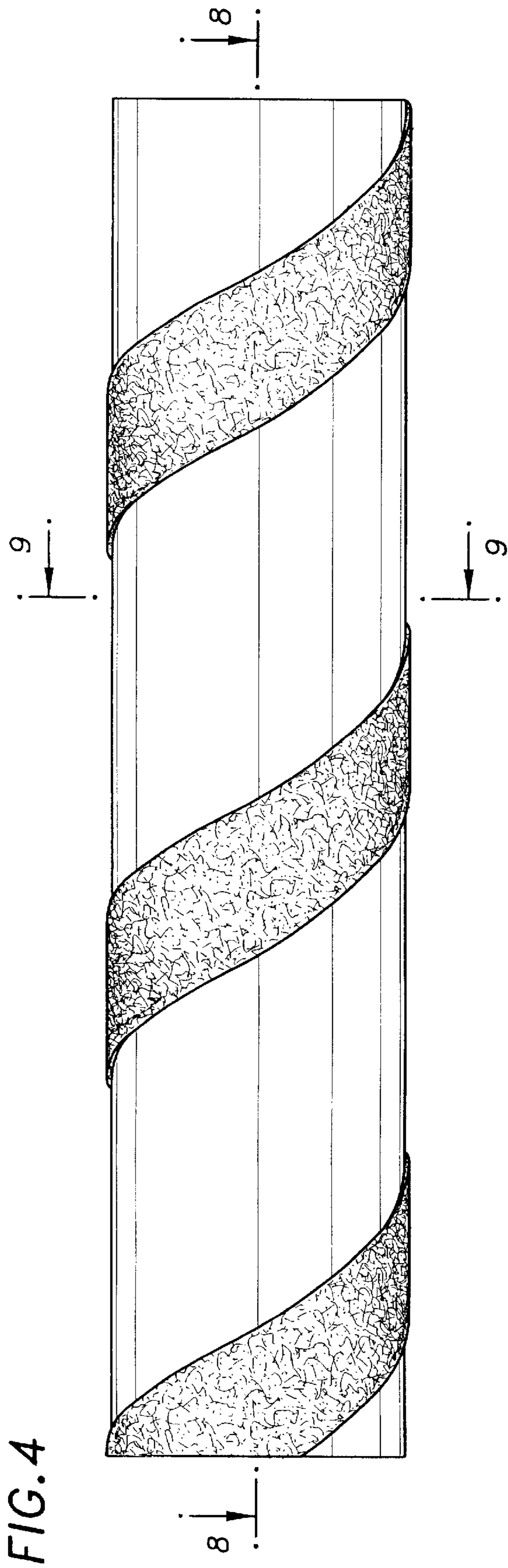
DESCRIPTION

FIG. 1 is a perspective view of the scrubber of our new design;
FIG. 2 is an end elevational view of the left end thereof;
FIG. 3 is an end elevational view of the right end thereof;
FIG. 4 is a top plan view thereof;
FIG. 5 is a bottom plan view thereof;
FIG. 6 is a front elevational view thereof;
FIG. 7 is a rear elevational view thereof;
FIG. 8 is a sectional view taken along line 8—8 of FIG. 4;
and,
FIG. 9 is a sectional view taken along line 9—9 of FIG. 4.

1 Claim, 4 Drawing Sheets







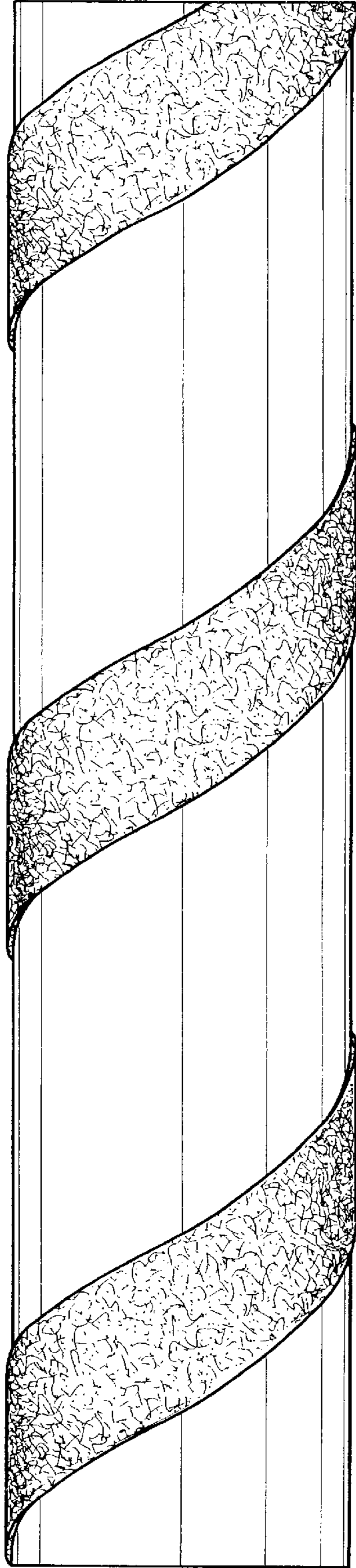


FIG. 6

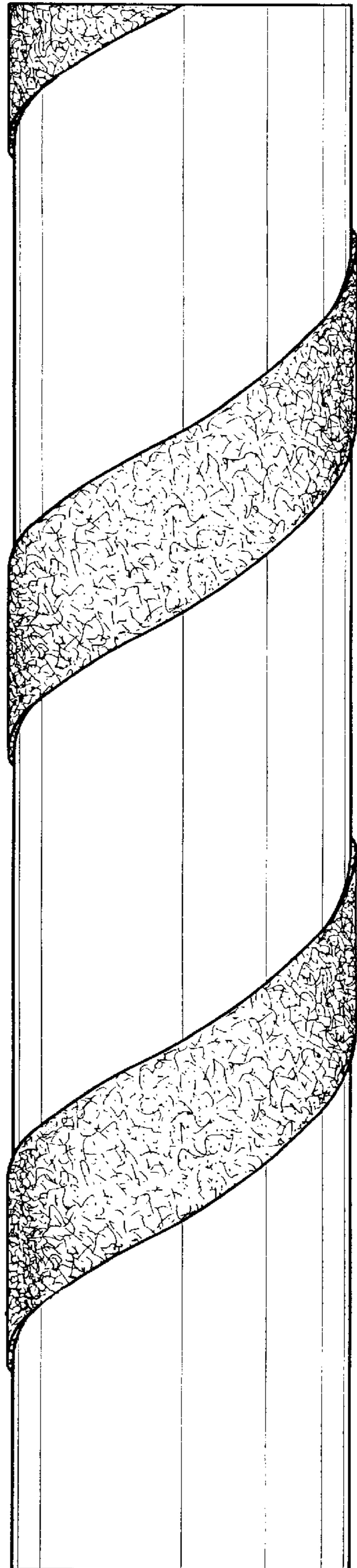


FIG. 7

FIG. 8

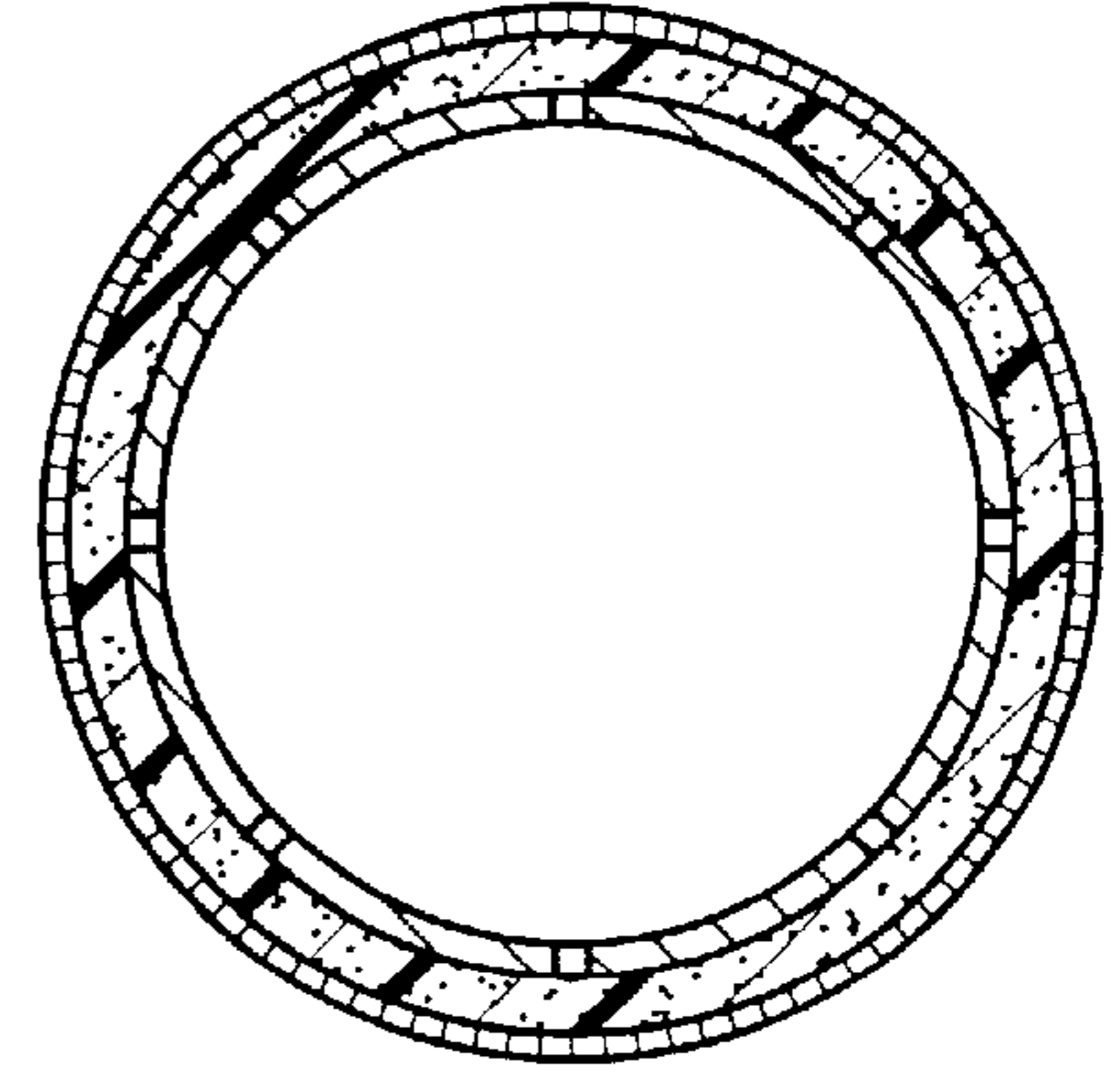
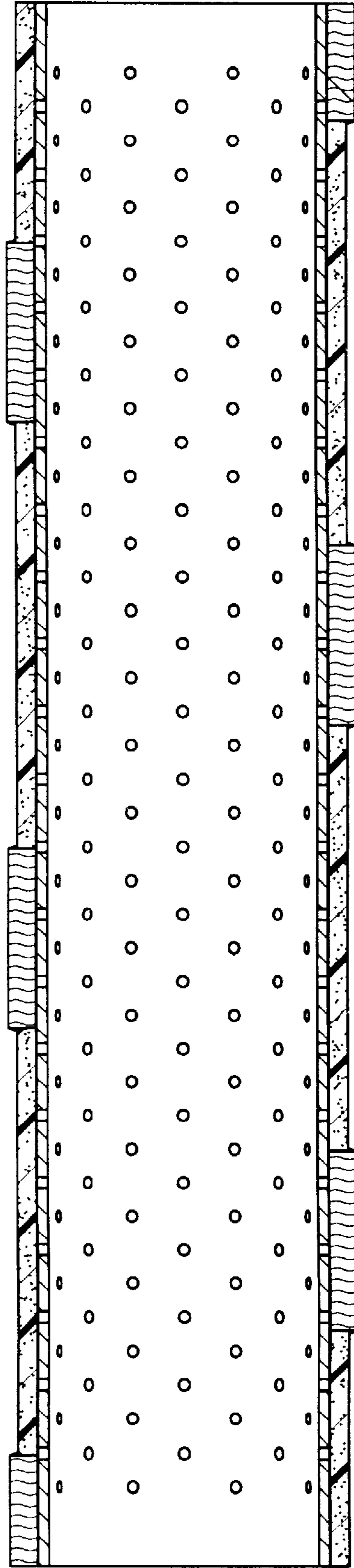


FIG. 9