



US00D483533S

(12) **United States Design Patent**
Ki

(10) **Patent No.:** **US D483,533 S**

(45) **Date of Patent:** **** Dec. 9, 2003**

(54) **HAND VACUUM**

(75) Inventor: **Sana Mok Sze Ki**, Kowloon (HK)

(73) Assignee: **One World Technologies Limited**,
Hamilton (BM)

(**) Term: **14 Years**

(21) Appl. No.: **29/171,894**

(22) Filed: **Dec. 2, 2002**

(51) **LOC (7) Cl.** **15-05**

(52) **U.S. Cl.** **D32/18**

(58) **Field of Search** D32/17-18, 31,
D32/32, 33; 15/344, 329, 320

(56) **References Cited**

U.S. PATENT DOCUMENTS

D275,427 S	9/1984	Kiski et al.	D32/18
D287,893 S	1/1987	Fujii et al.	D32/21
4,803,341 A	2/1989	Barowski et al.	219/222
D354,168 S	1/1995	Hartwein	D4/108
D356,191 S	3/1995	Phelan	D32/18
5,410,775 A	5/1995	Frazier	15/338
D379,690 S	6/1997	Howell et al.	D32/18
D387,516 S	12/1997	Murray et al.	D32/18
D400,165 S	10/1998	Nagele et al.	D13/108
D401,021 S	11/1998	Stephens et al.	D32/18

D404,857 S	*	1/1999	Ng	D32/18
D418,262 S	*	12/1999	Yuen	D32/18
D421,671 S		3/2000	Thomas et al.	D32/18
D440,719 S		4/2001	Stratford	D32/18
D441,926 S	*	5/2001	Stratford	D32/18
D448,894 S	*	10/2001	Yuen	D32/18
D453,731 S		2/2002	Hauptli	D13/108

* cited by examiner

Primary Examiner—Ruth McInroy

(74) *Attorney, Agent, or Firm*—Andrew Y. Pang; Nexsen Pruet Jacobs & Pollard, LLC

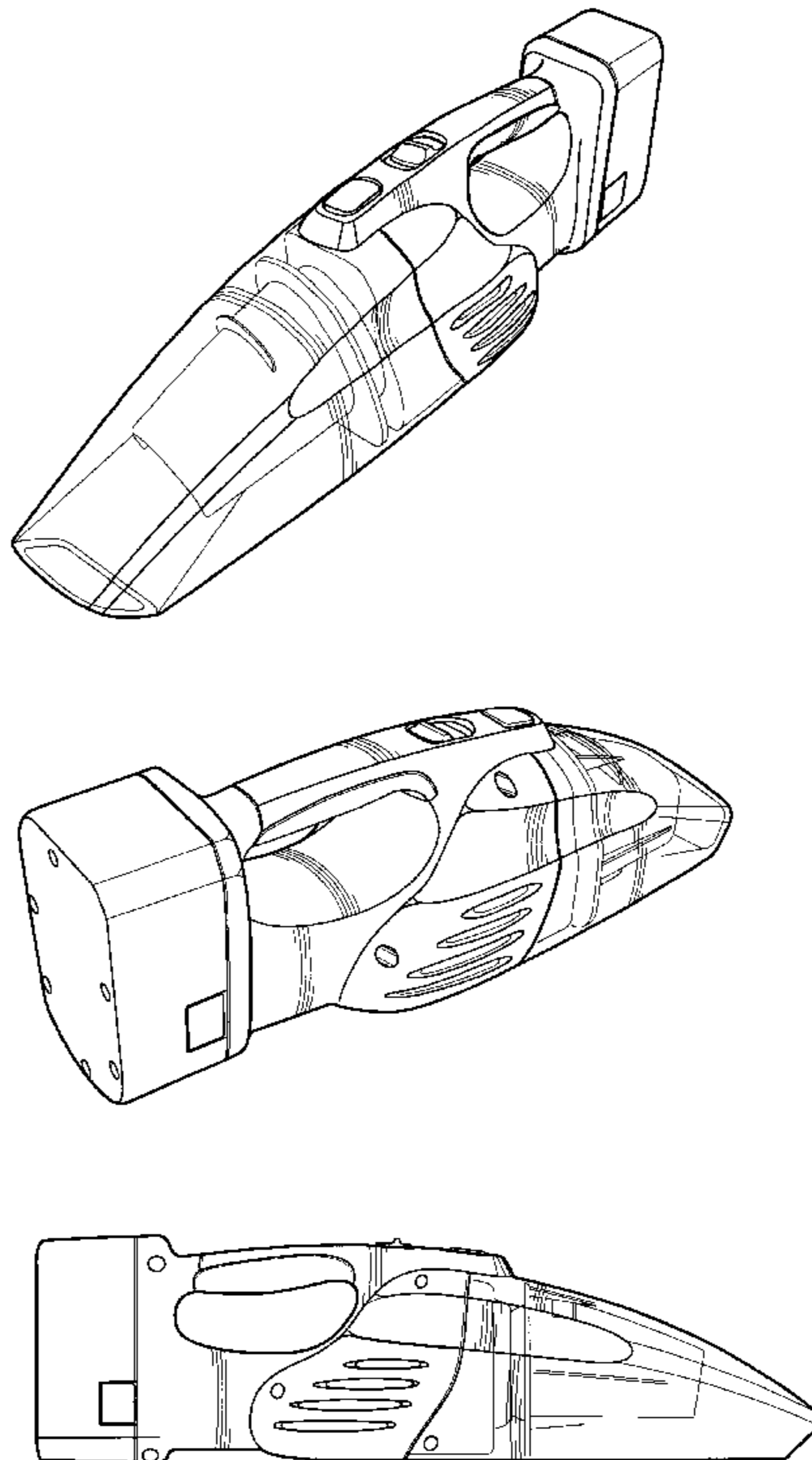
(57) **CLAIM**

The ornamental design for a hand vacuum, as shown and described.

DESCRIPTION

FIG. 1 is a front perspective view of a hand vacuum showing my new design;
FIG. 2 is a rear perspective view thereof;
FIG. 3 is a right side elevational view thereof;
FIG. 4 is a left side elevational view thereof;
FIG. 5 is a front end view thereof;
FIG. 6 is a rear end view thereof;
FIG. 7 is a top view thereof; and,
FIG. 8 is a bottom view thereof.

1 Claim, 3 Drawing Sheets



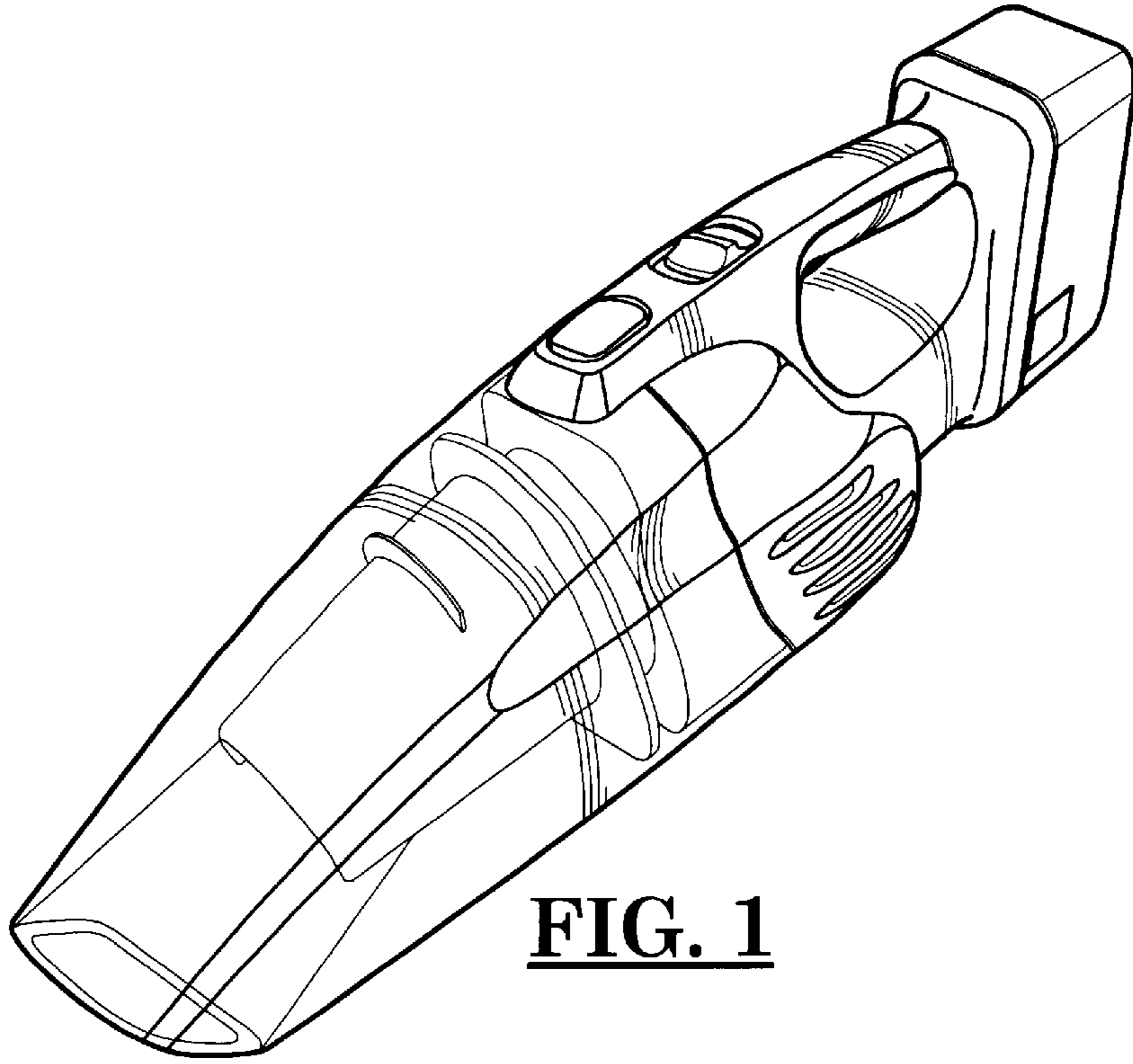


FIG. 1

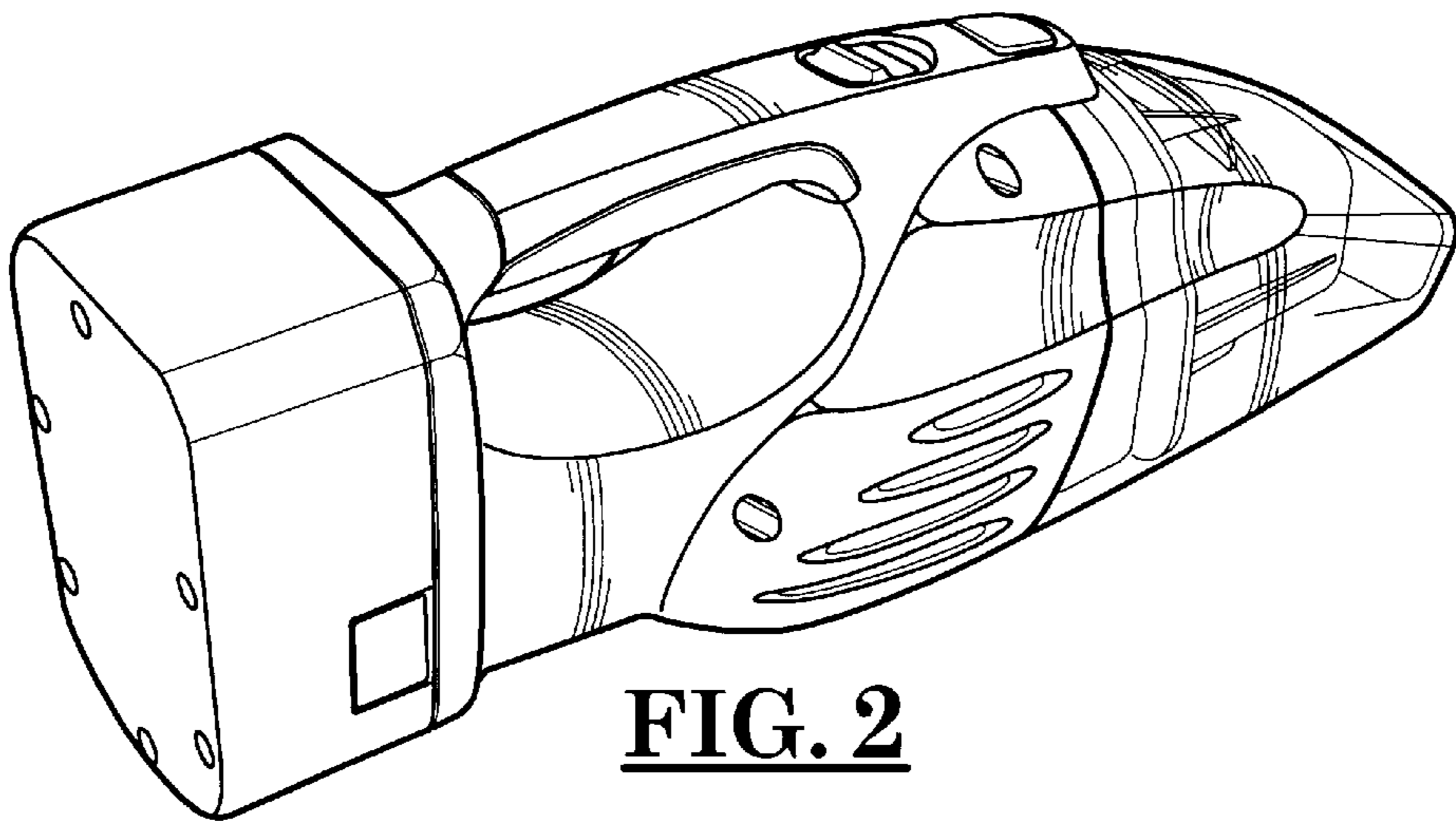


FIG. 2

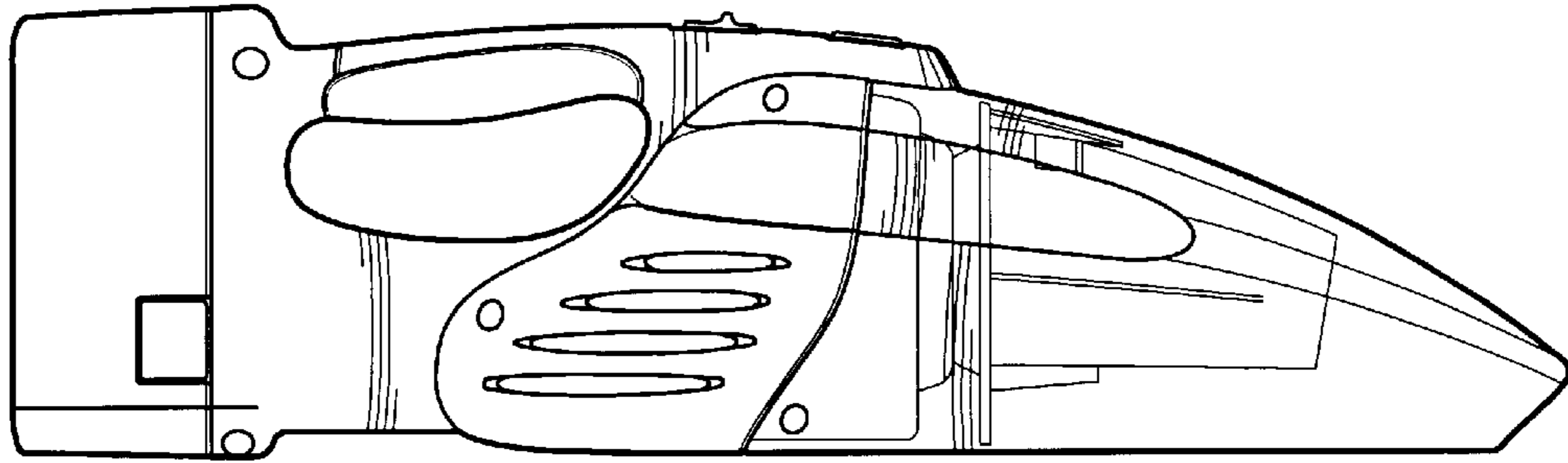


FIG. 3

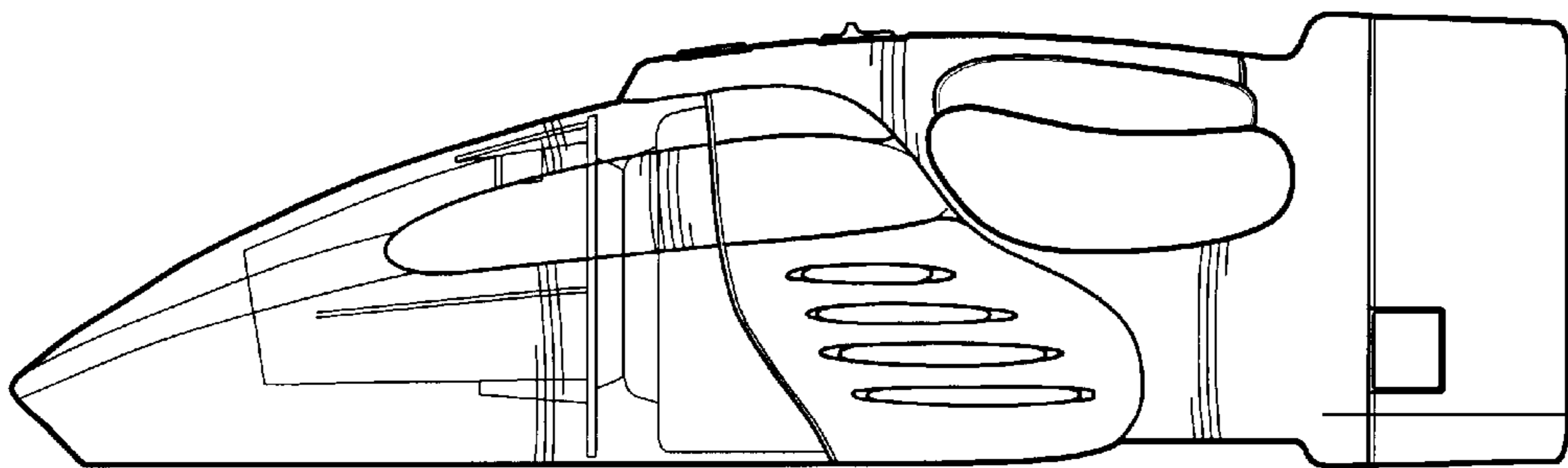


FIG. 4

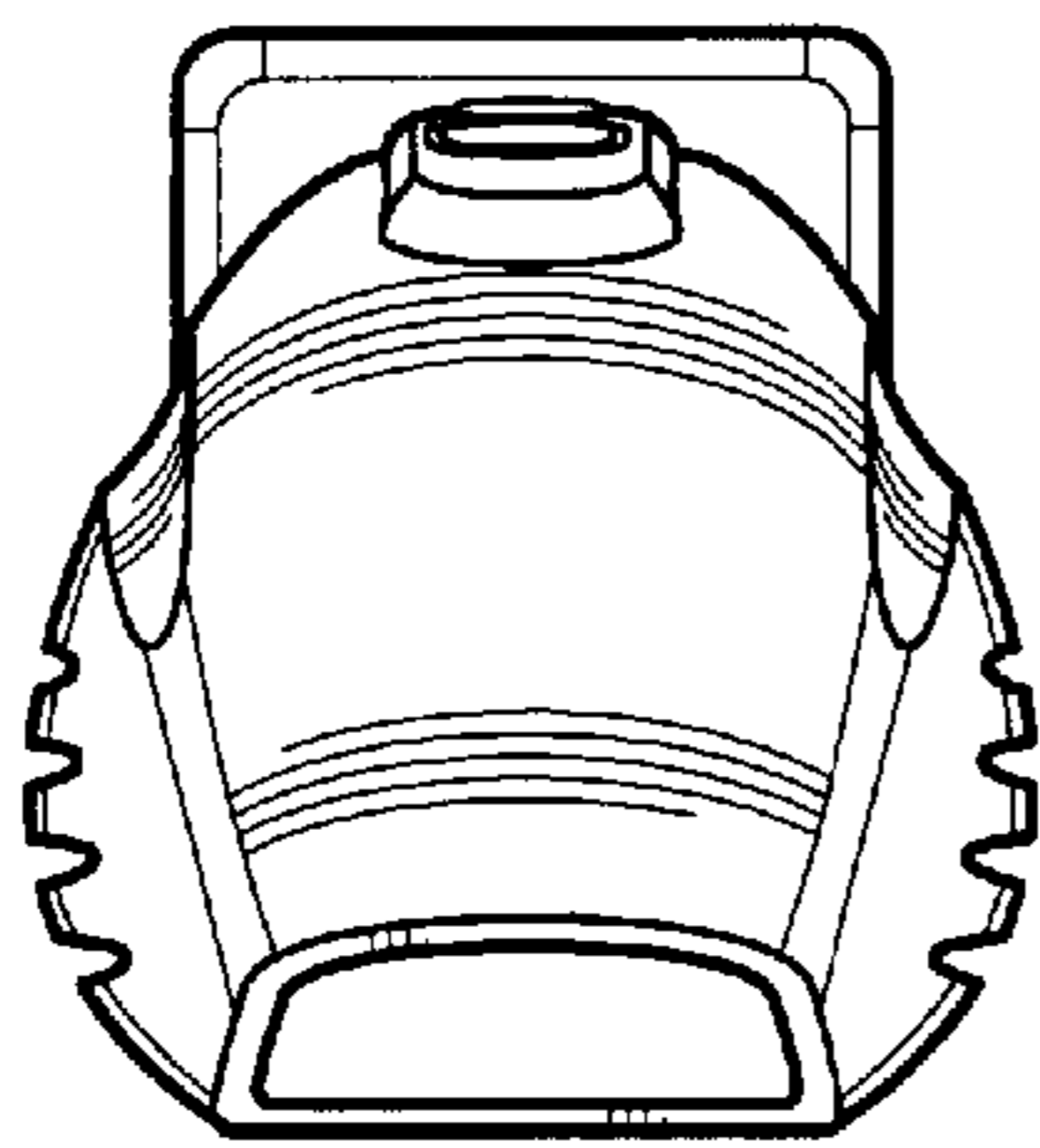


FIG. 5

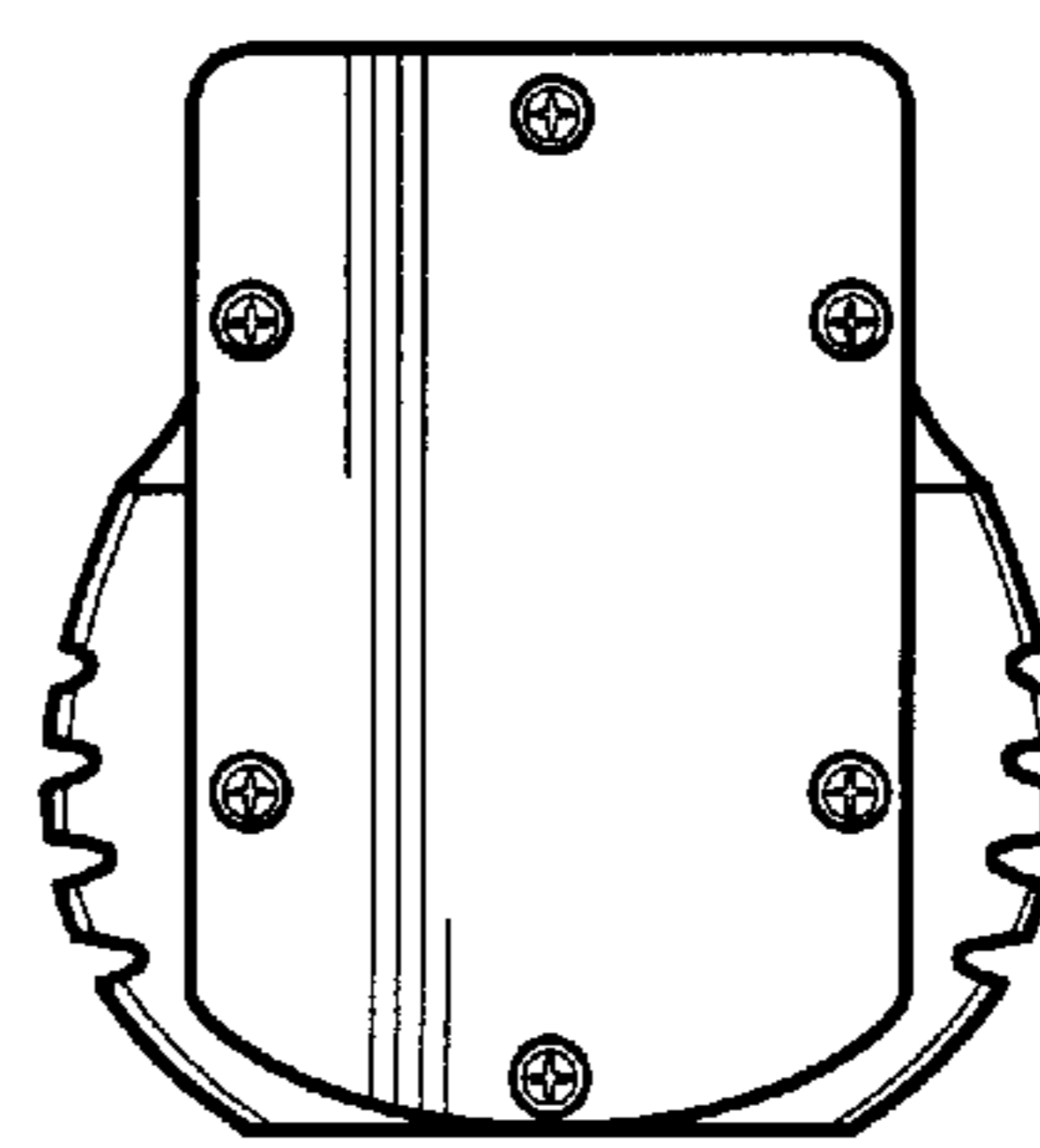


FIG. 6

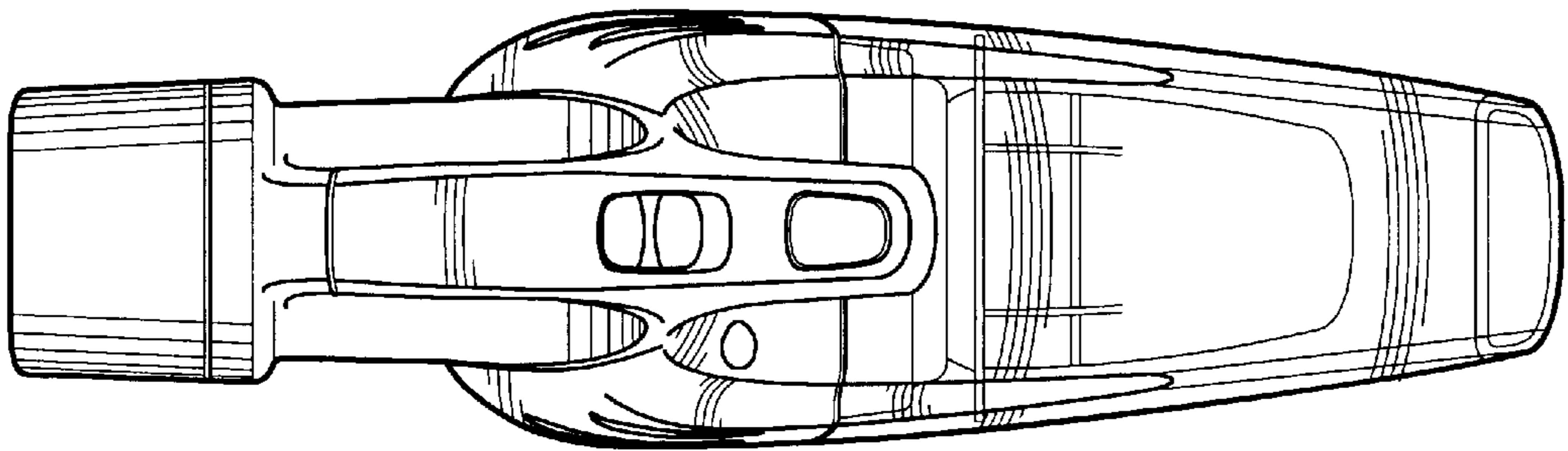


FIG. 7

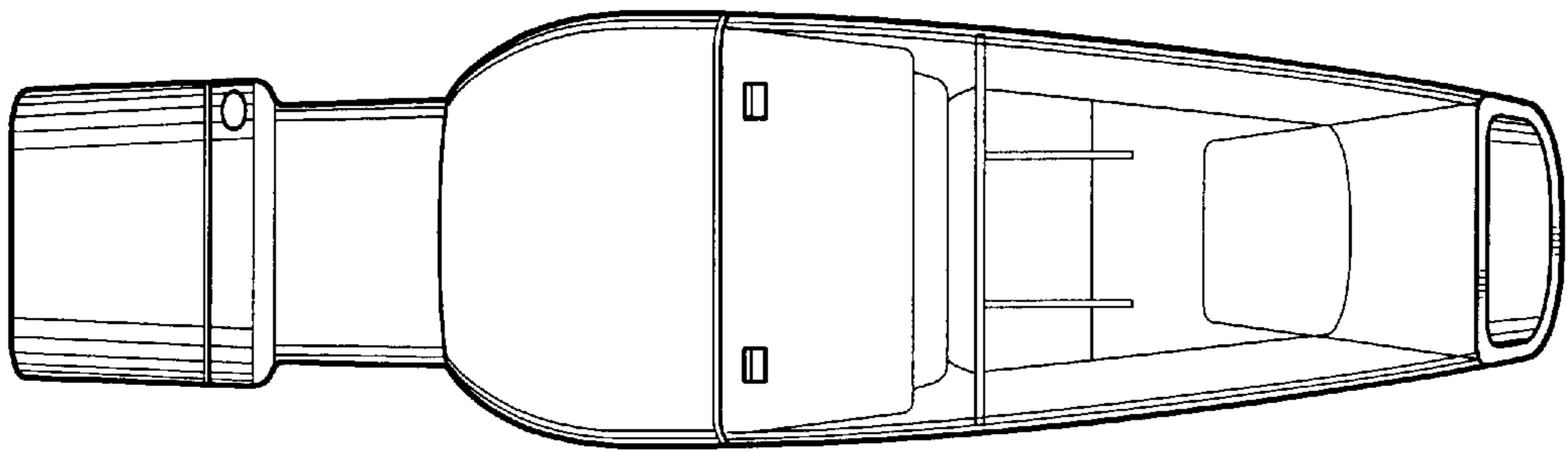


FIG. 8